



US00D810625S

(12) **United States Design Patent**
Sungjun

(10) **Patent No.:** **US D810,625 S**

(45) **Date of Patent:** **** Feb. 20, 2018**

(54) **AUTOMOBILE**

(71) Applicant: **HONDA MOTOR CO., LTD.**, Tokyo (JP)

(72) Inventor: **Bae Sungjun**, Wako (JP)

(73) Assignee: **HONDA MOTOR CO., LTD.**, Tokyo (JP)

(**) Term: **15 Years**

(21) Appl. No.: **29/565,891**

(22) Filed: **May 25, 2016**

(30) **Foreign Application Priority Data**

Nov. 27, 2015 (JP) 2015-026505

(51) **LOC (11) Cl.** **12-08**

(52) **U.S. Cl.**
USPC **D12/91**

(58) **Field of Classification Search**
USPC D12/86, 90-92; D21/421, 433, 434;
296/181.1, 181.5
CPC B62D 35/00; B62D 25/00; B62D 25/06;
B62D 33/00
See application file for complete search history.

(56) **References Cited**

U.S. PATENT DOCUMENTS

D691,073 S * 10/2013 Takahashi D12/164
D728,422 S * 5/2015 Minami D12/91

D742,281 S * 11/2015 Ishii D12/91
D744,377 S * 12/2015 Minami D12/91
D761,693 S * 7/2016 Lian D12/91
D770,941 S * 11/2016 Jeon D12/91
D776,009 S * 1/2017 Murakami D12/91
D780,065 S * 2/2017 Suzuki D12/91
D781,180 S * 3/2017 Minami D12/91
D784,857 S * 4/2017 Ishii D12/91
D795,744 S * 8/2017 Sahara D12/91

* cited by examiner

Primary Examiner — Melody N Brown

(74) *Attorney, Agent, or Firm* — Westerman, Hattori, Daniels & Adrian, LLP

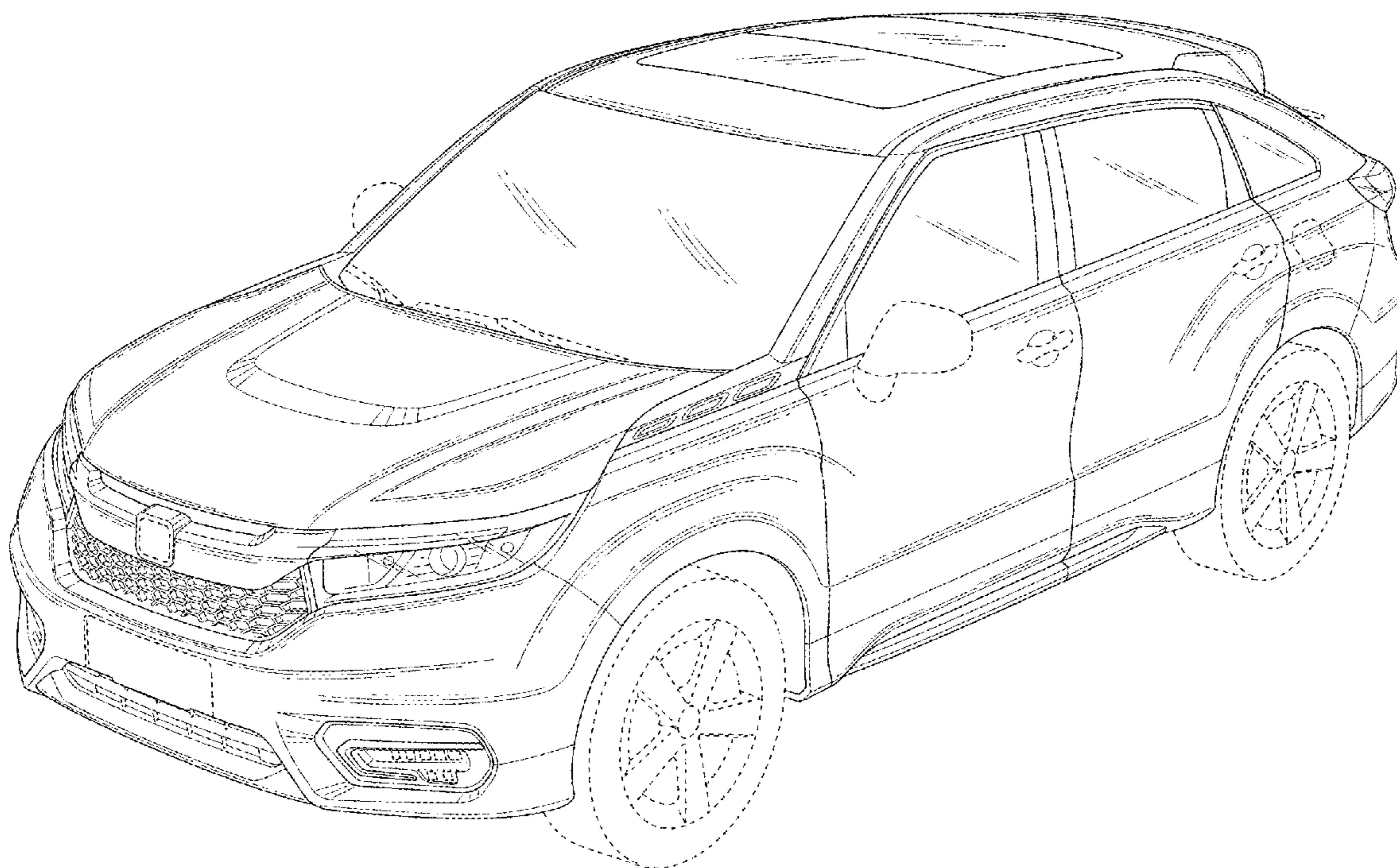
(57) **CLAIM**

The ornamental design for an automobile, as shown and described.

DESCRIPTION

FIG. 1 is a top, front and left side perspective view of an automobile showing my new design;
FIG. 2 is a top, rear and left side perspective view thereof;
FIG. 3 is a left view thereof;
FIG. 4 is a top plan view thereof;
FIG. 5 is a left side elevational view thereof;
FIG. 6 is a rear elevational view thereof; and,
FIG. 7 is a right side elevational view thereof.
The broken lines in the drawings illustrate portions of the automobile that forms no part of the claimed design.

1 Claim, 7 Drawing Sheets



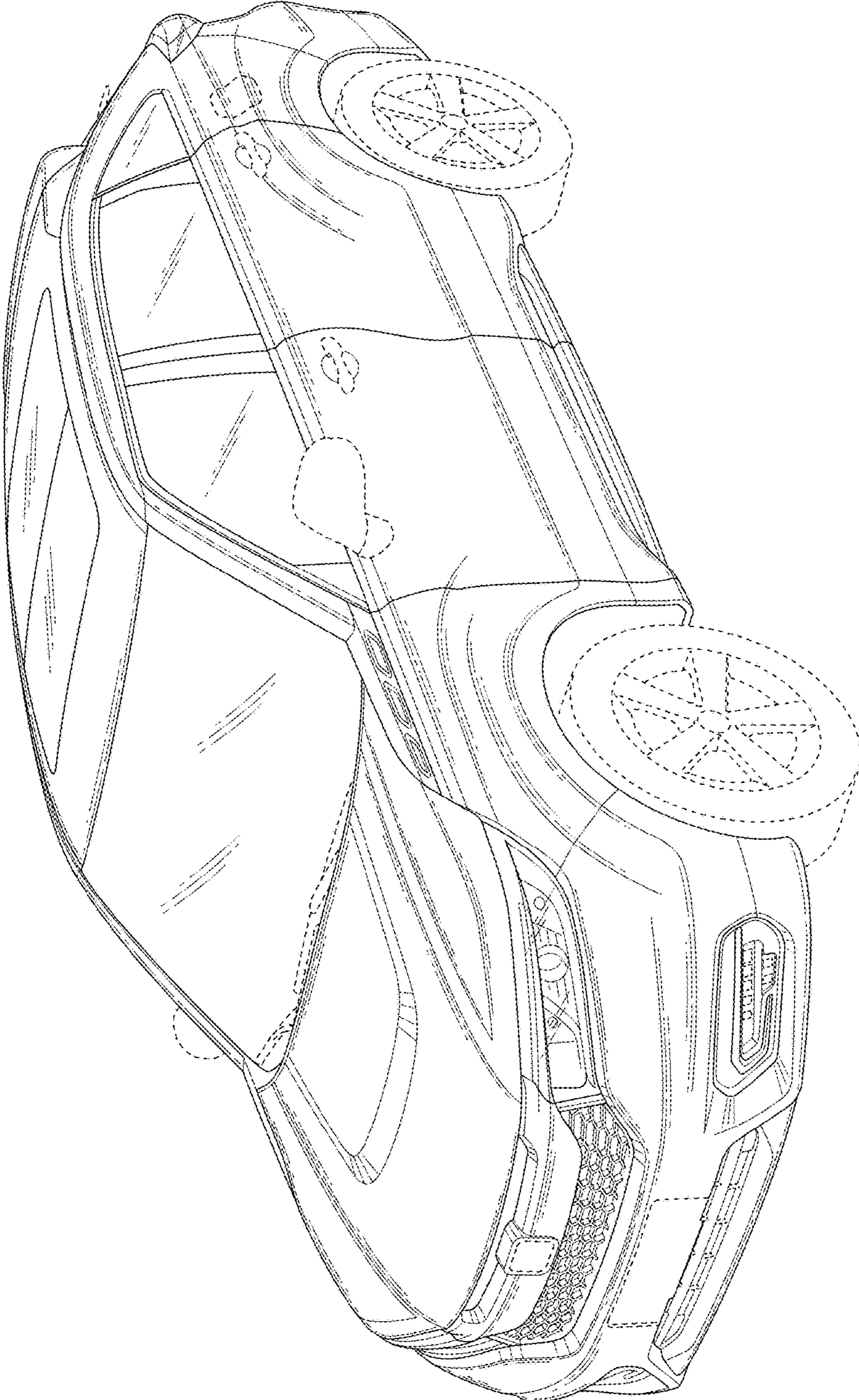


FIG.1

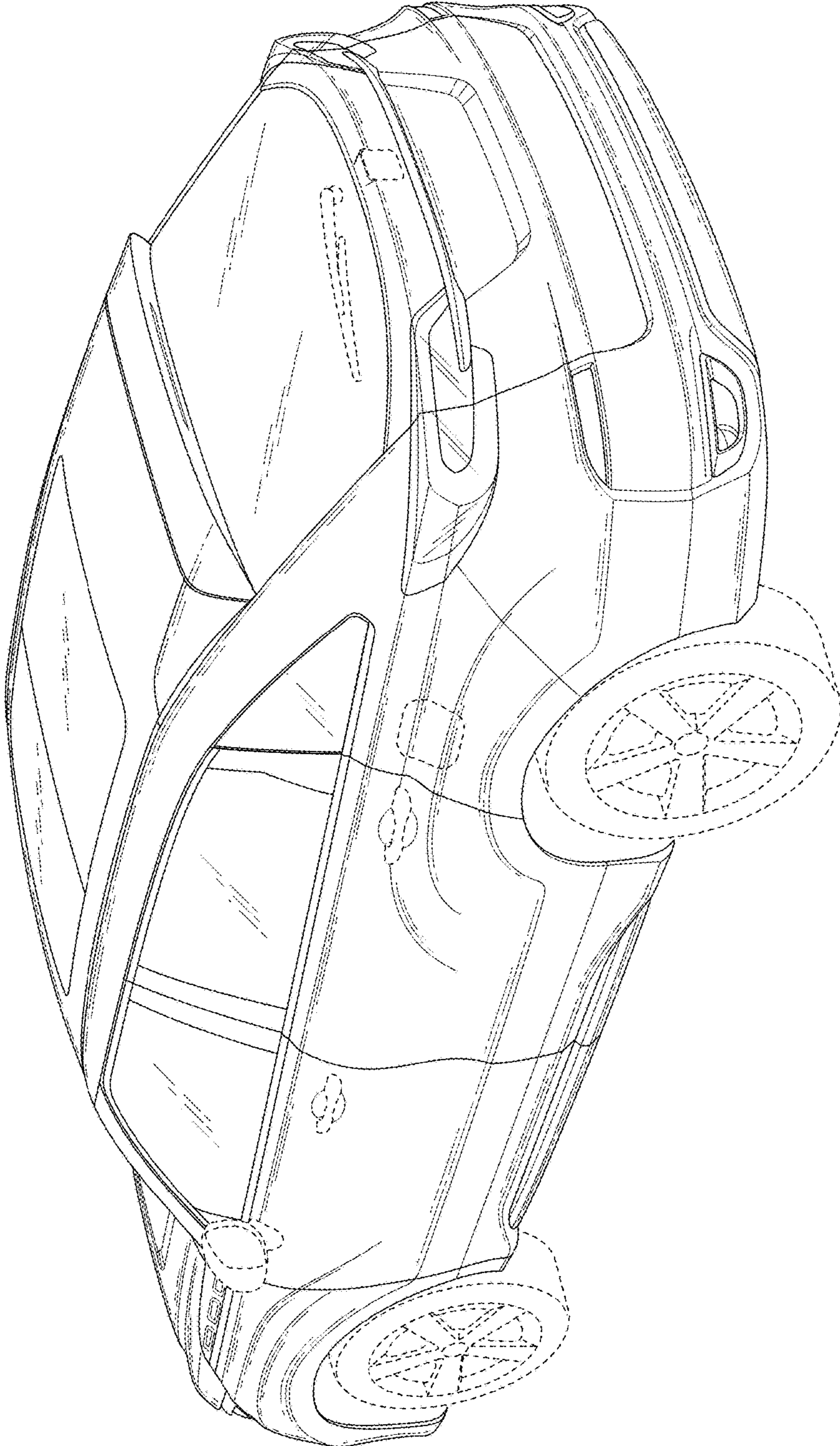


FIG.2

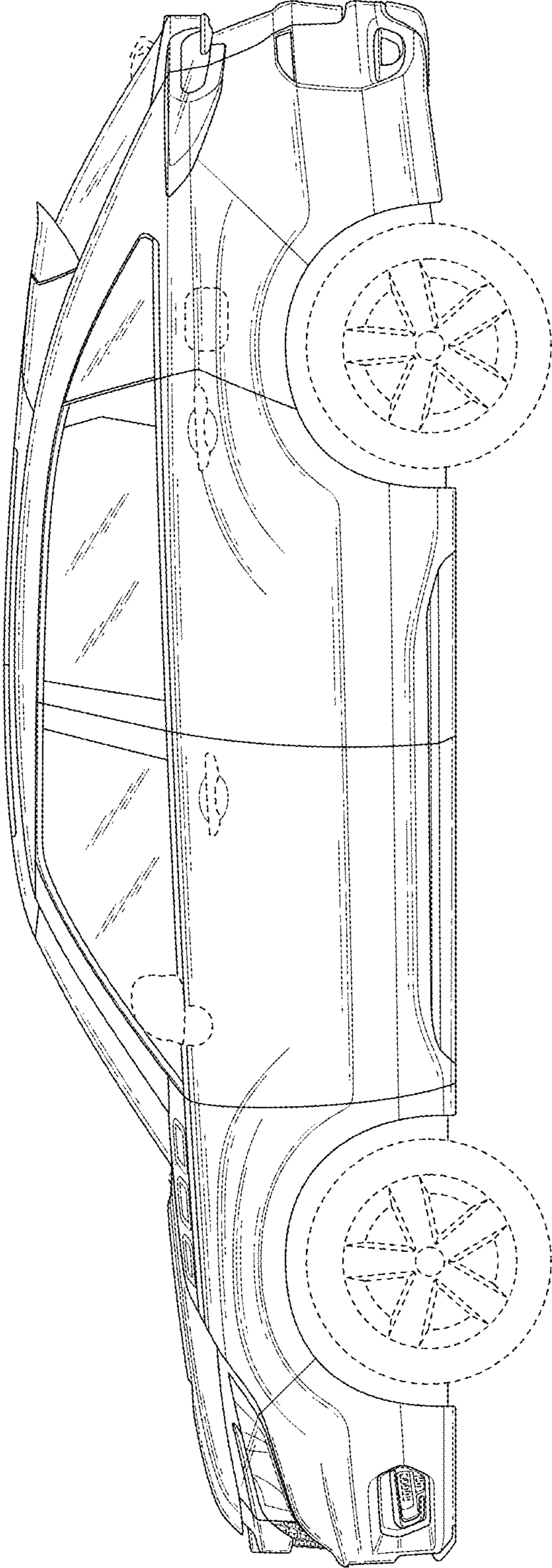


FIG.3

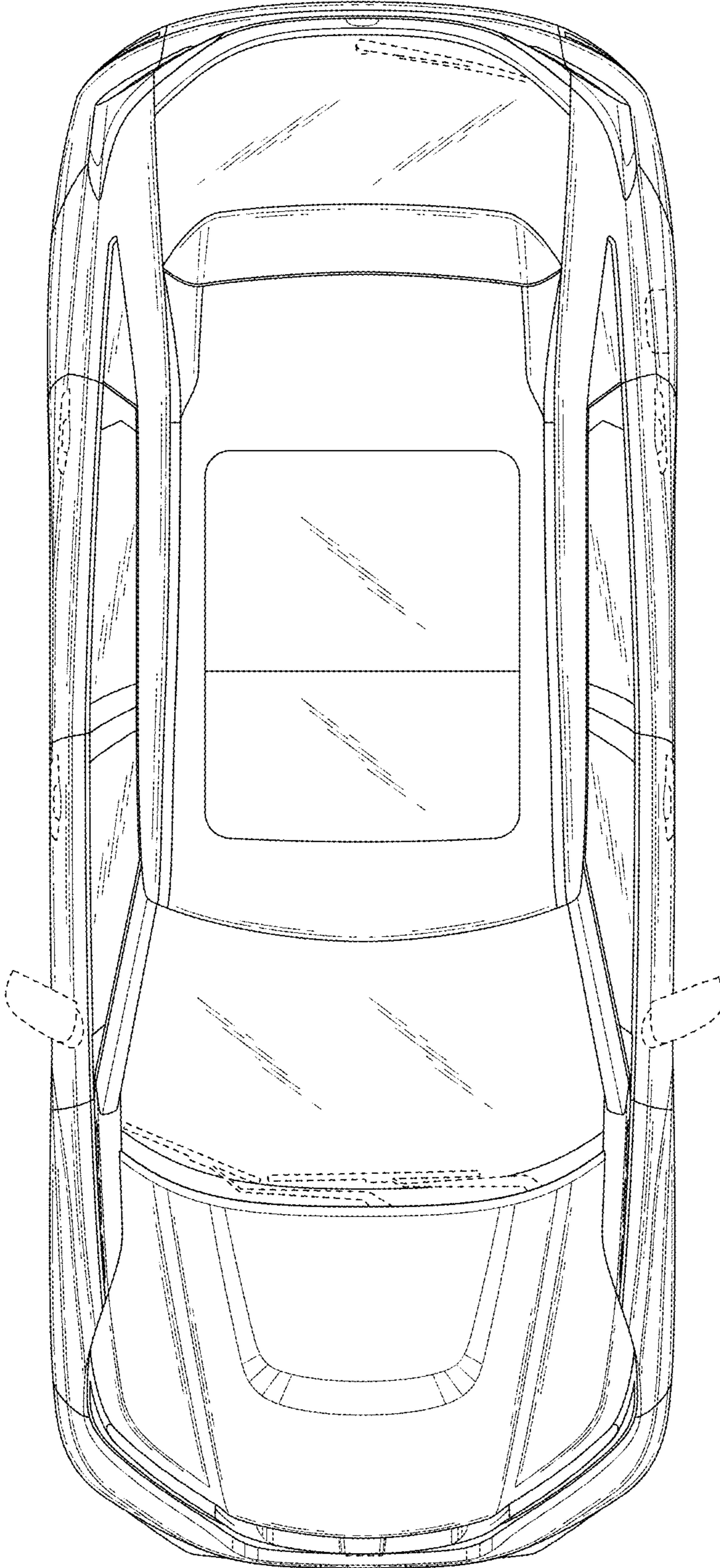


FIG.4

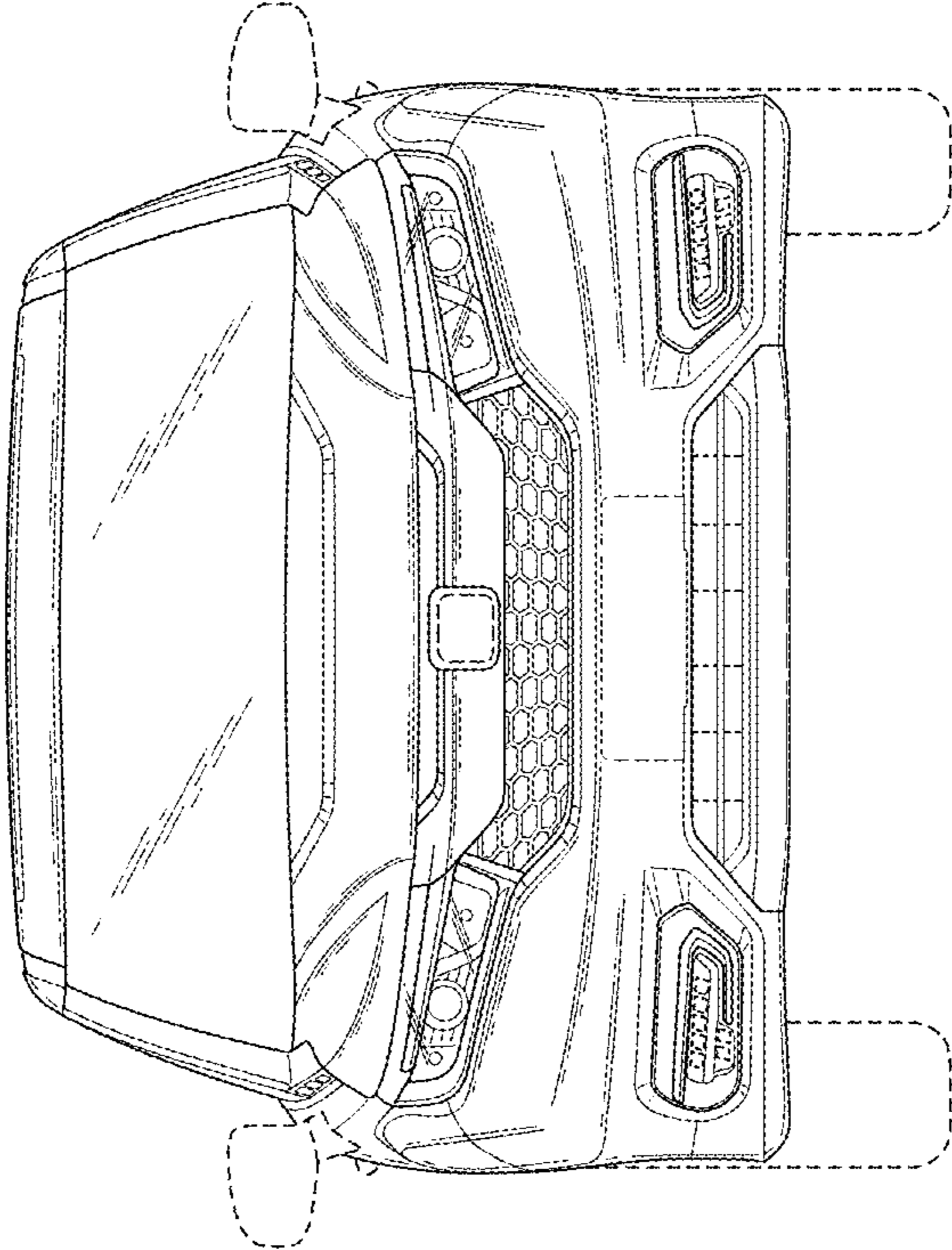


FIG.5

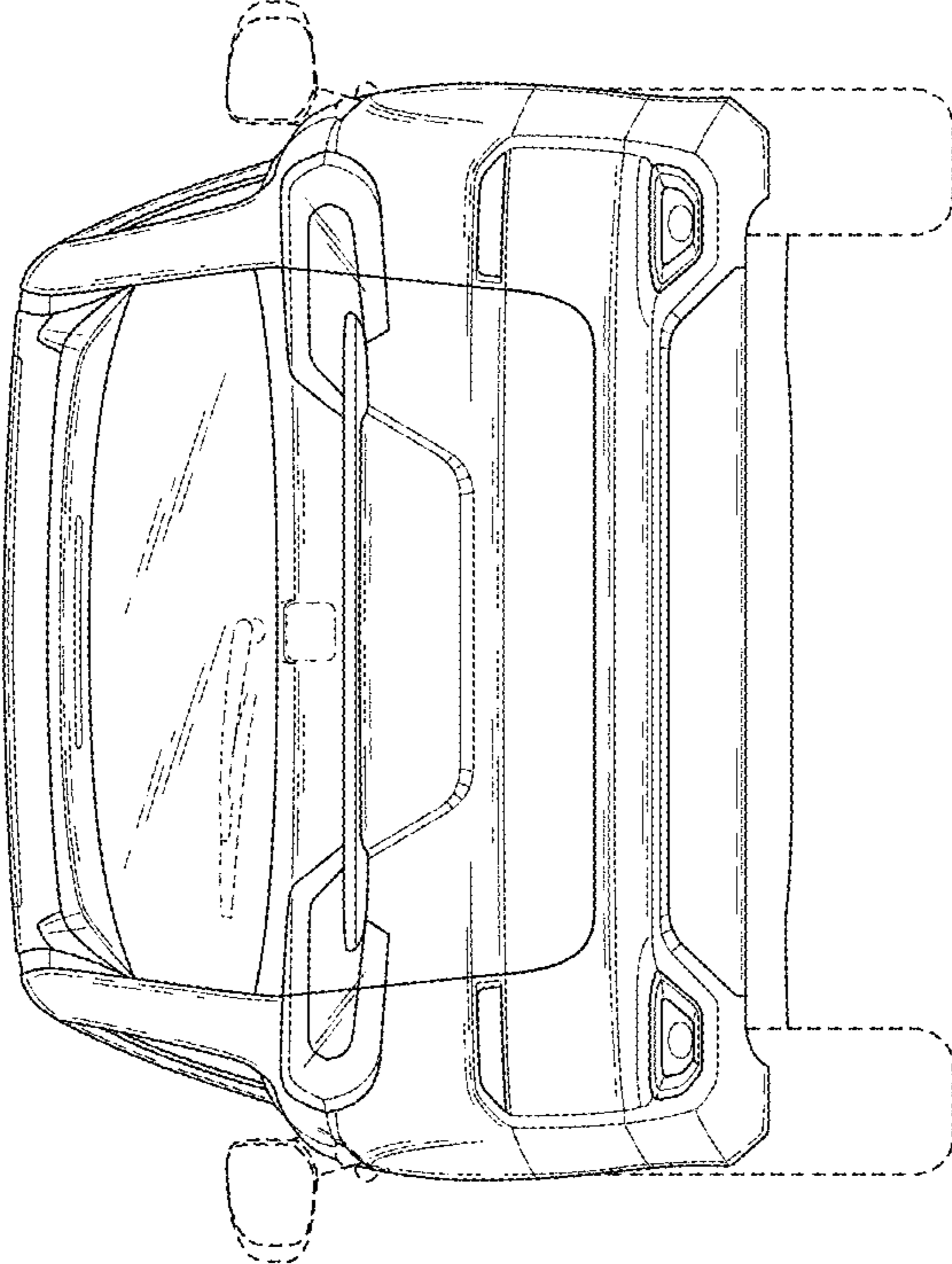


FIG.6

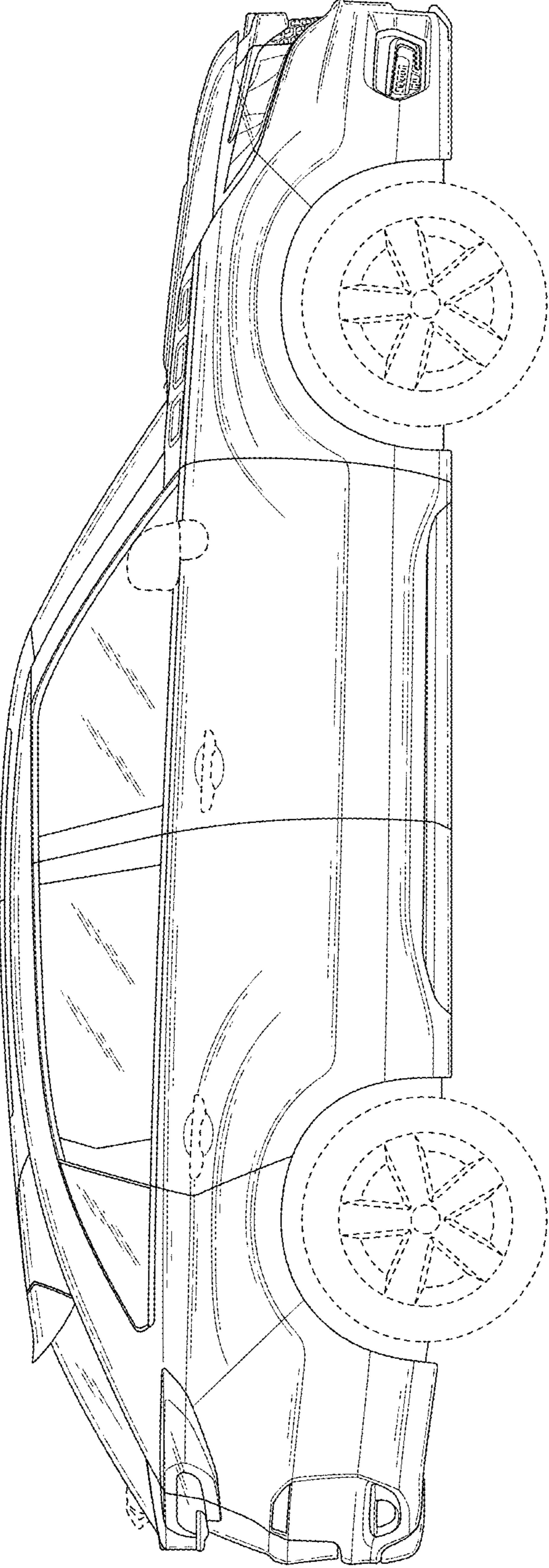


FIG.7