



US00D810623S

(12) **United States Design Patent** (10) **Patent No.:** **US D810,623 S**  
**Adcock** (45) **Date of Patent:** **\*\* Feb. 20, 2018**

(54) **REVERSE TRIKE**  
(71) Applicant: **Alton Glen Adcock**, Woodbridge, VA (US)  
(72) Inventor: **Alton Glen Adcock**, Woodbridge, VA (US)  
(\*\*) Term: **15 Years**  
(21) Appl. No.: **29/505,395**  
(22) Filed: **Oct. 9, 2015**  
(51) **LOC (11) Cl.** ..... **12-08**  
(52) **U.S. Cl.**  
USPC ..... **D12/85**  
(58) **Field of Classification Search**  
USPC ..... D12/1, 82, 85, 86, 88, 110; D21/424, D21/433, 434; 180/210, 218; 296/181.1, 296/181.5  
CPC ... B62K 5/05; B62K 5/06; B62K 5/08; B62K 7/00; B62K 13/00; B62K 13/04  
See application file for complete search history.

D592,548 S \* 5/2009 Aube ..... D12/85  
D593,908 S \* 6/2009 Longpre ..... D12/107  
D633,821 S \* 3/2011 Hill ..... D12/85  
D666,127 S \* 8/2012 Nam ..... D12/85  
D682,158 S \* 5/2013 Canni ..... D12/85  
D723,978 S \* 3/2015 Tada ..... D12/85  
9,004,214 B2 \* 4/2015 Holroyd ..... B62K 5/05  
180/210  
2012/0241239 A1 \* 9/2012 Holroyd ..... B62K 5/05  
180/210

\* cited by examiner

*Primary Examiner* — Darlington Ly

(57) **CLAIM**

The ornamental design for a reverse trike, as shown and described.

**DESCRIPTION**

FIG. 1 is a front elevational view of a reverse trike showing my new design;  
FIG. 2 is a left side elevation view thereof;  
FIG. 3 is a rear elevation view thereof;  
FIG. 4 is a right side elevation view thereof;  
FIG. 5 is a top plan view thereof;  
FIG. 6 is a top, front, and right side perspective view thereof;  
FIG. 7 is a top, rear, and left side perspective view thereof;  
FIG. 8 is a top, front, and left side perspective view thereof;  
and,  
FIG. 9 is a top, rear, and right side perspective view thereof.  
The broken lines in the drawings illustrate portions of the reverse trike that form no part of the claimed design.

**1 Claim, 9 Drawing Sheets**

(56) **References Cited**  
U.S. PATENT DOCUMENTS  
4,453,763 A \* 6/1984 Richards ..... B62D 29/001  
180/215  
D274,995 S \* 8/1984 Richards ..... D12/85  
D449,018 S \* 10/2001 Musser ..... D12/85  
D469,037 S \* 1/2003 Hanagan ..... D12/85  
D589,844 S \* 4/2009 Aube ..... D12/85

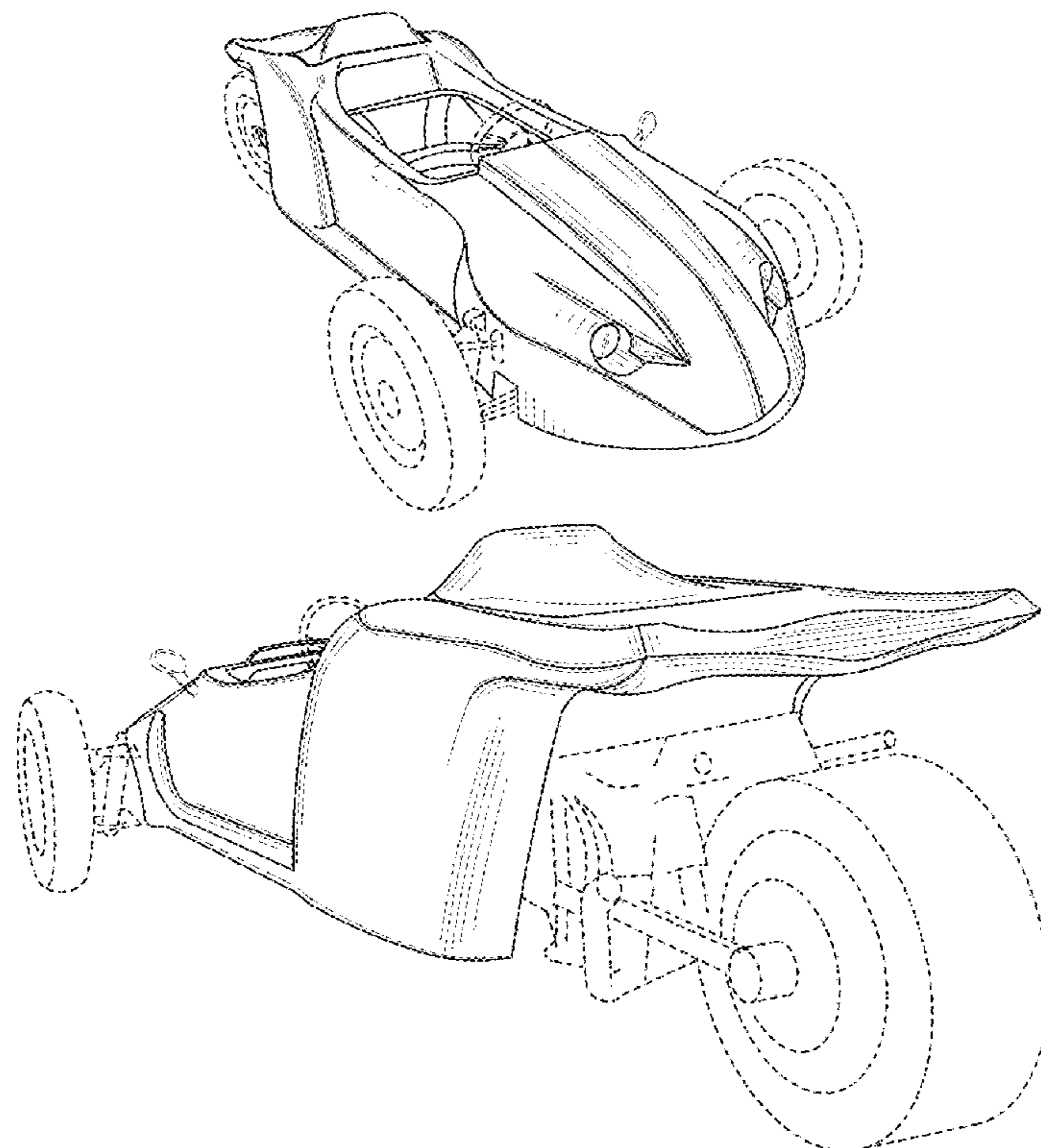


FIG. 1

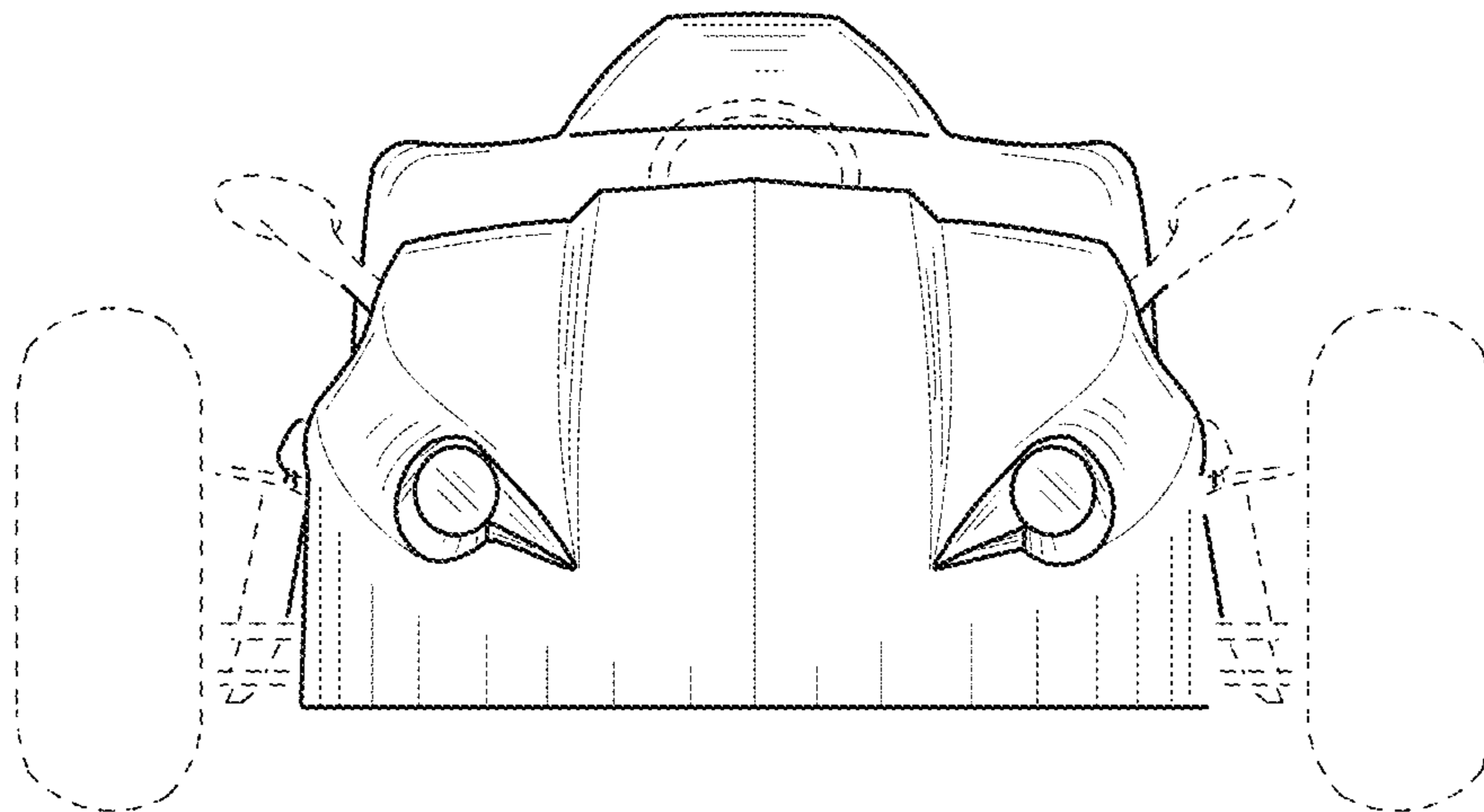


FIG. 2

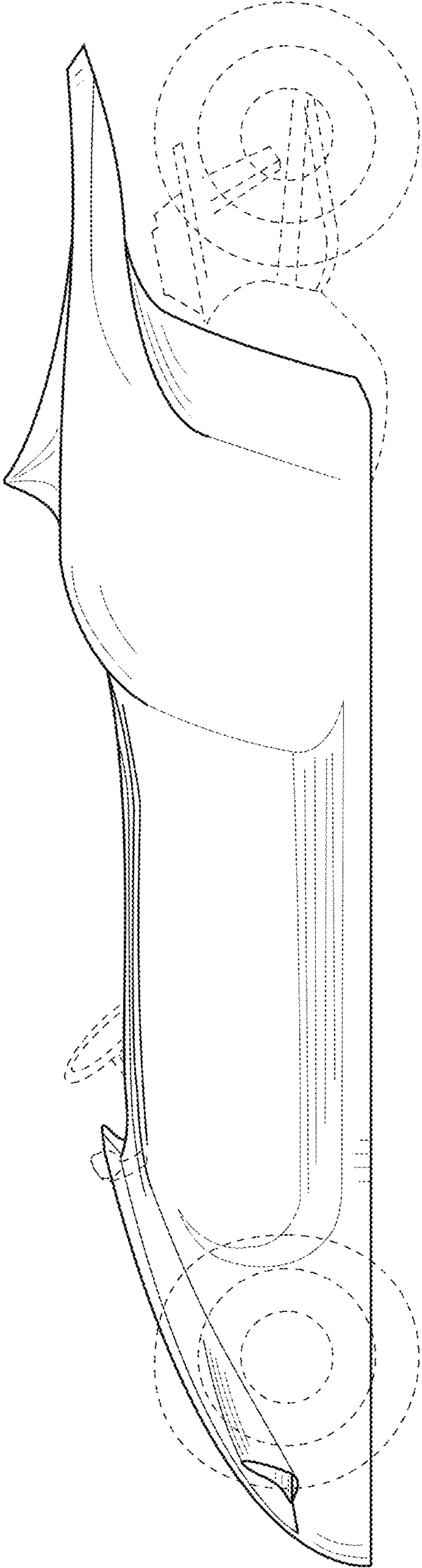


FIG. 3

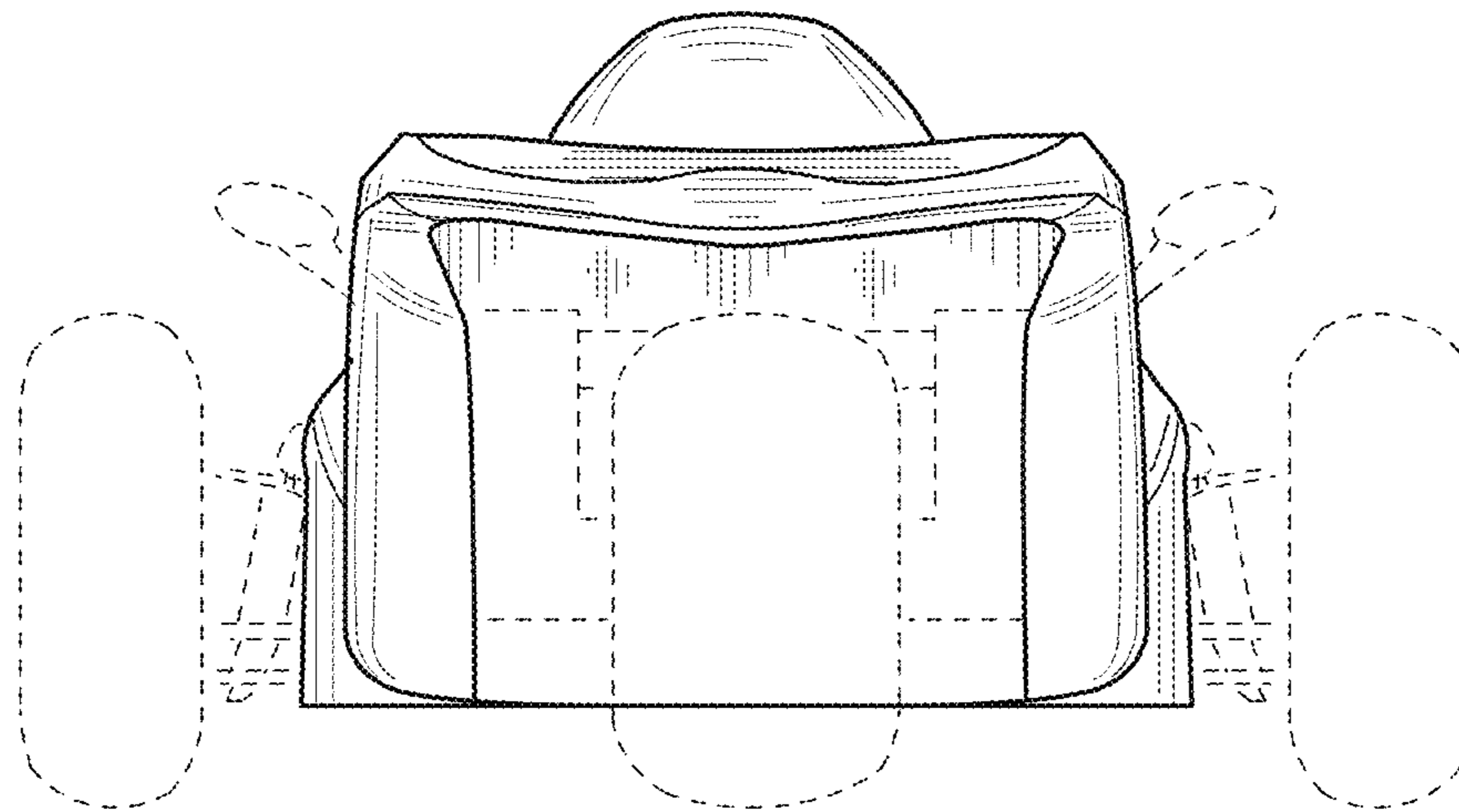


FIG. 4

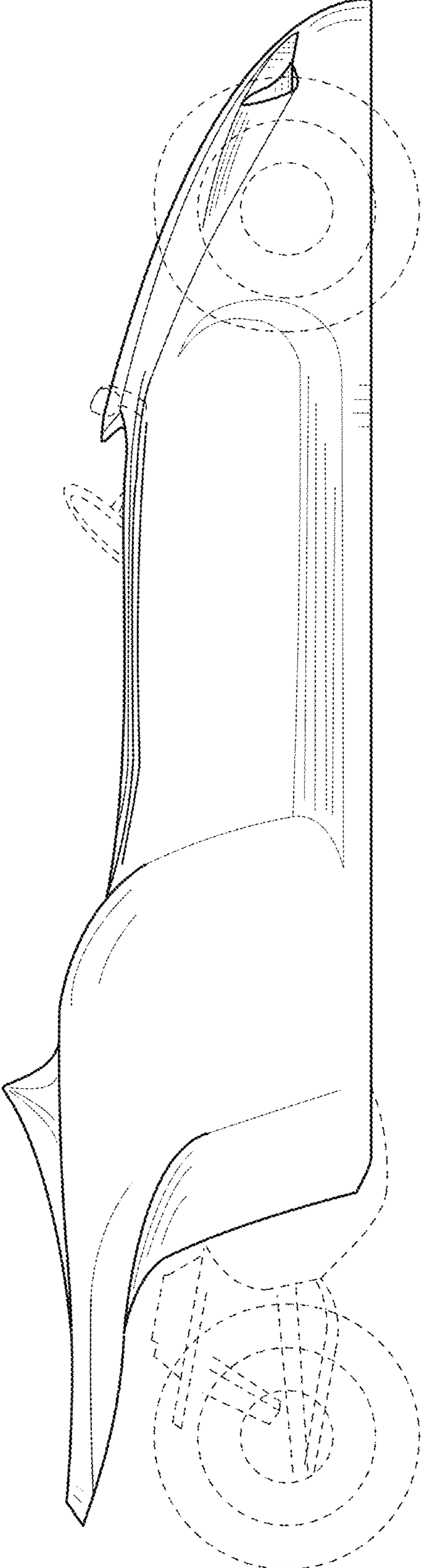
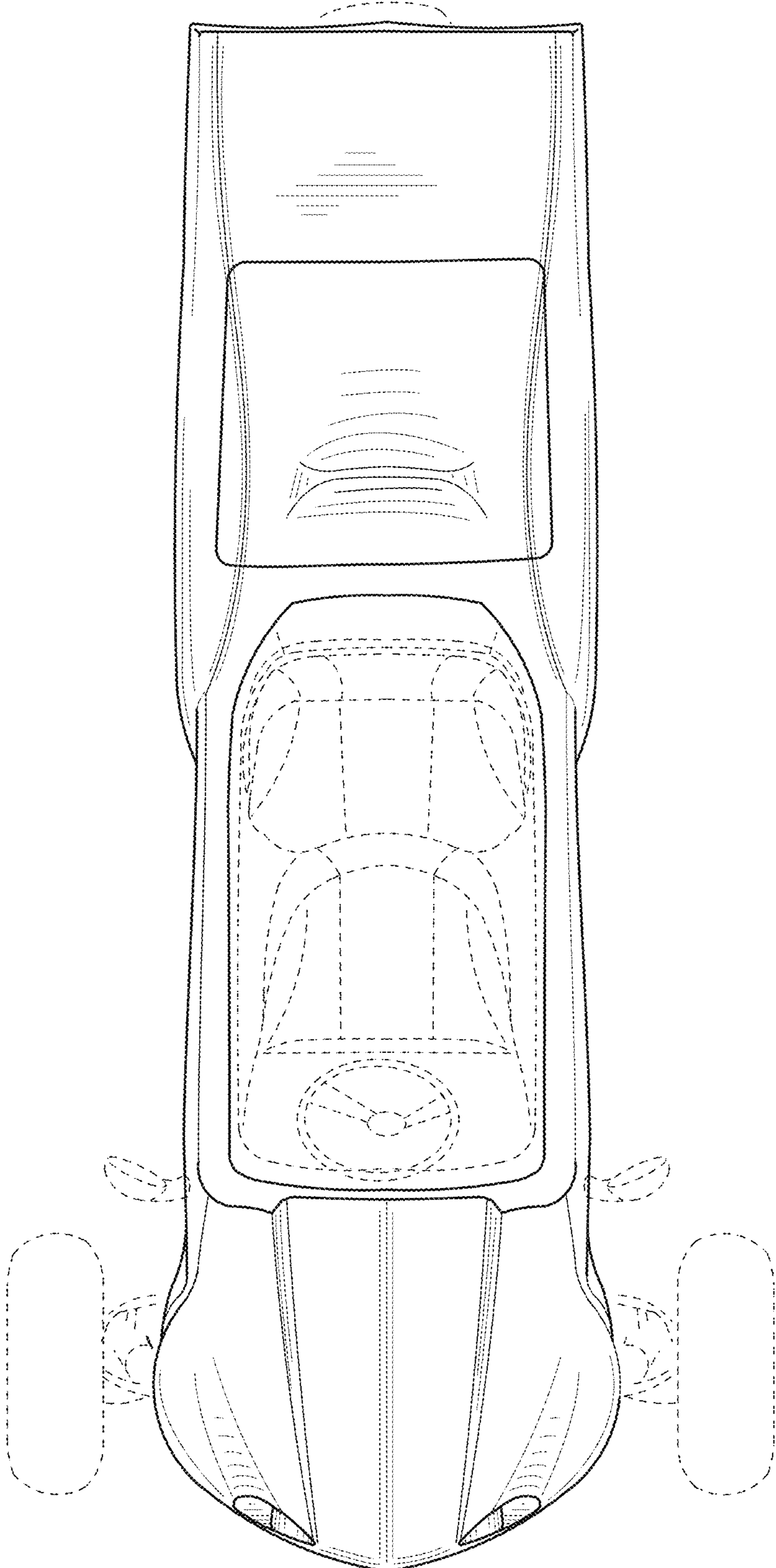


FIG. 5



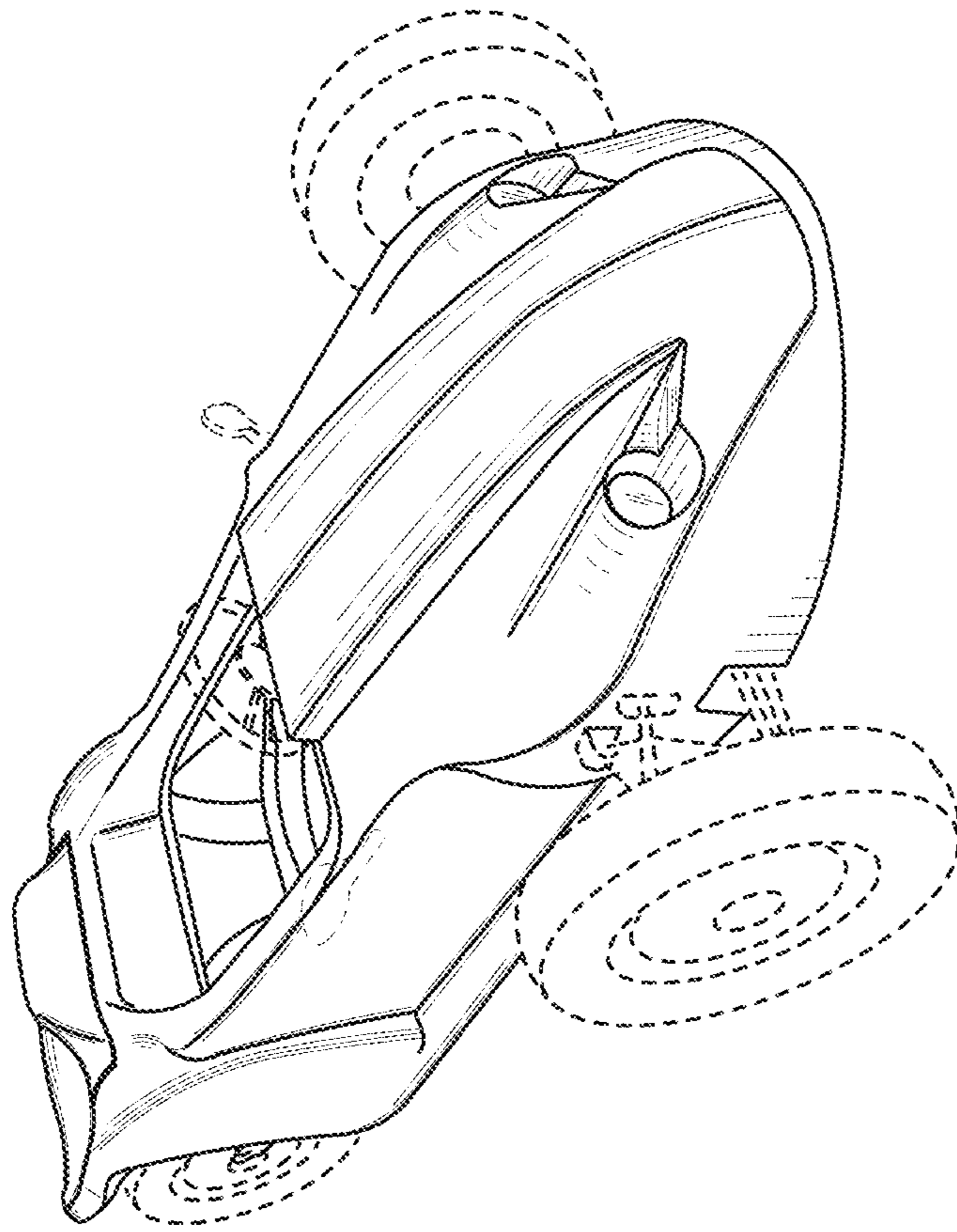
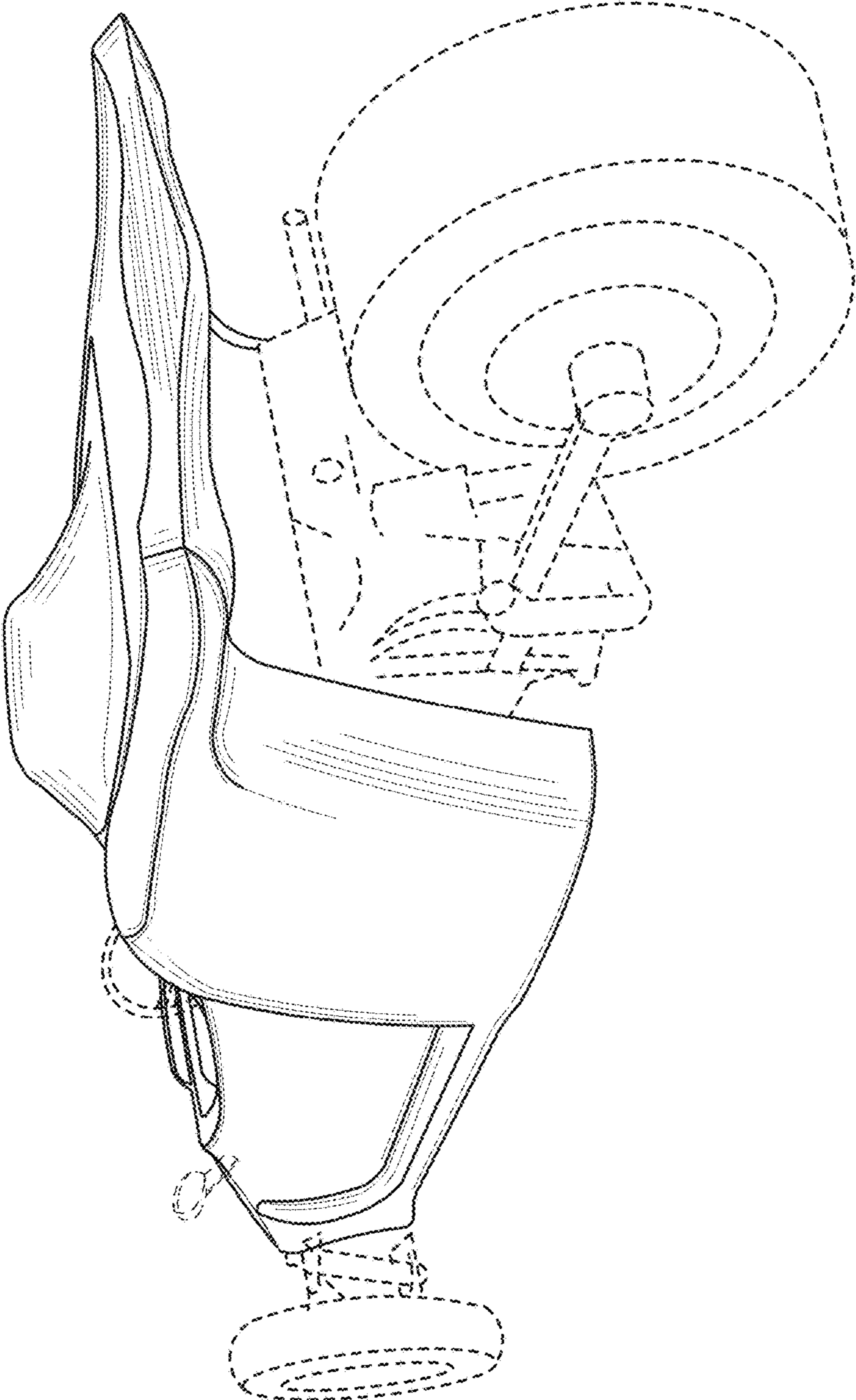


FIG. 6

FIG. 7





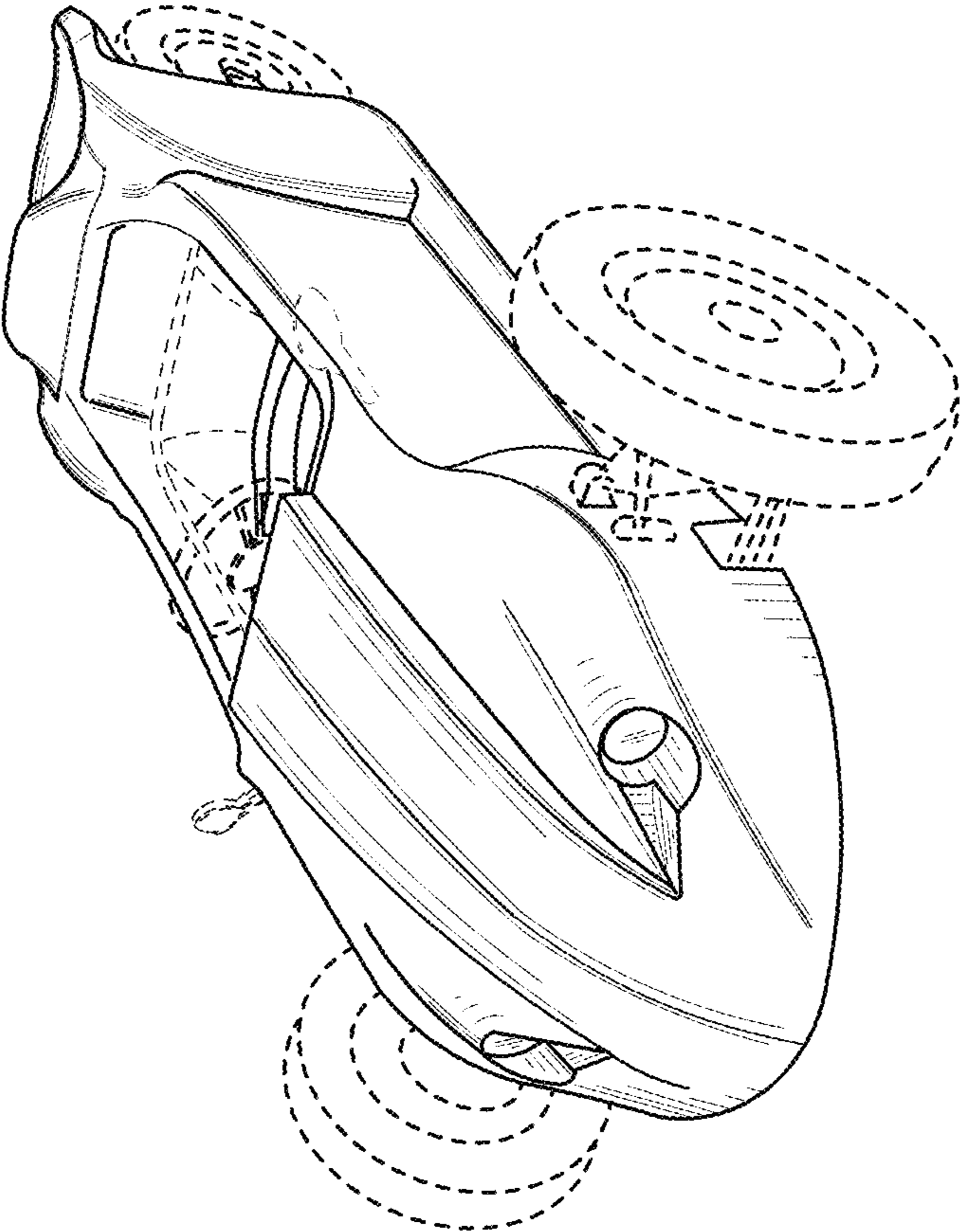


FIG. 8

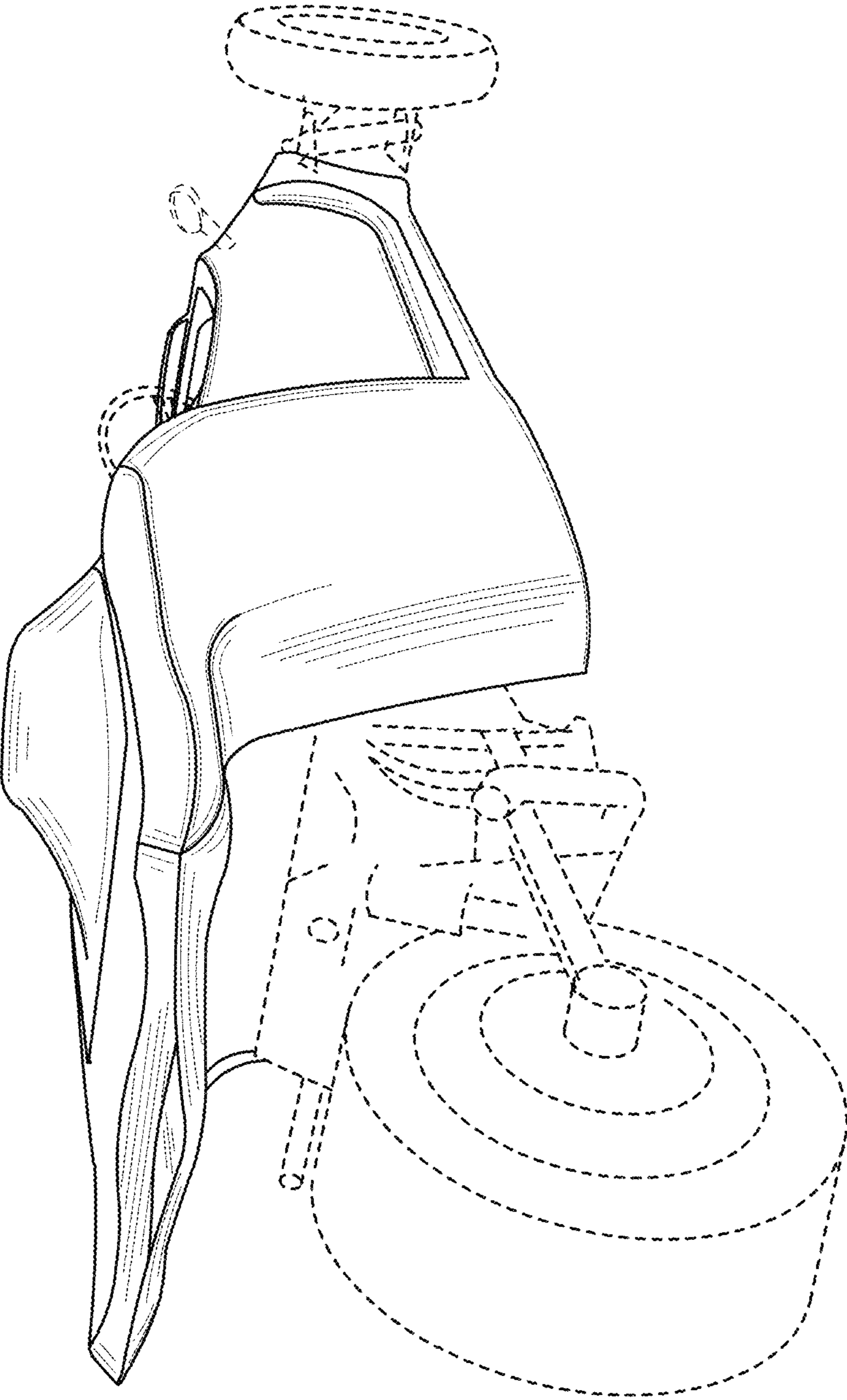


FIG. 9