



US00D810622S

(12) **United States Design Patent**  
**Lian et al.**

(10) **Patent No.:** **US D810,622 S**

(45) **Date of Patent:** **\*\* Feb. 20, 2018**

(54) **BUS**  
(71) Applicant: **BYD Company Limited**, Shenzhen (CN)  
(72) Inventors: **Yubo Lian**, Shenzhen (CN); **Yuncheng Zhang**, Shenzhen (CN); **Huan Luo**, Shenzhen (CN); **Yichao Wu**, Shenzhen (CN)  
(73) Assignee: **BYD Company Limited**, Shenzhen (CN)  
(\*\*) Term: **15 Years**  
(21) Appl. No.: **29/564,461**  
(22) Filed: **May 13, 2016**

D302,802 S \* 8/1989 Manning ..... D12/84  
D305,623 S \* 1/1990 Gallitzendoerfer ..... D12/84  
D345,120 S \* 3/1994 Normand, Jr. .... D12/84  
D376,562 S \* 12/1996 Sealy ..... D12/84  
5,669,307 A \* 9/1997 Cichy ..... B61B 1/02  
104/28  
D442,888 S \* 5/2001 Papke ..... D12/84  
D503,126 S \* 3/2005 Papke ..... D12/84  
D531,933 S \* 11/2006 Delamour ..... D12/84  
D537,755 S \* 3/2007 Toth ..... D12/84  
D617,236 S \* 6/2010 Counts ..... D12/84  
D637,520 S \* 5/2011 Kerr ..... D12/84  
D642,092 S \* 7/2011 Wiens ..... D12/84  
D704,595 S \* 5/2014 Streicher ..... D12/84  
D714,187 S \* 9/2014 Lian ..... D12/84  
D717,210 S \* 11/2014 Wang ..... D12/84  
D718,659 S \* 12/2014 Lin ..... D12/84  
D721,297 S \* 1/2015 Zhang ..... D12/84  
D721,298 S \* 1/2015 Li ..... D12/84  
2009/0224570 A1 \* 9/2009 Haswell ..... B62D 47/02  
296/178

(30) **Foreign Application Priority Data**  
Nov. 16, 2015 (CN) ..... 2015 3 0456510  
(51) **LOC (11) Cl.** ..... **12-08**  
(52) **U.S. Cl.**  
USPC ..... **D12/84**  
(58) **Field of Classification Search**  
USPC ..... D12/82, 84, 86, 92, 100  
CPC ..... B62D 23/00; B62D 25/00; B62D 31/02;  
B62D 31/04; B62D 53/062; B62D 65/00;  
B60G 2202/152; B60G 2300/14; B60P  
3/007; B21D 53/88  
See application file for complete search history.

(56) **References Cited**  
**U.S. PATENT DOCUMENTS**  
D248,033 S \* 5/1978 James ..... D12/84  
D254,609 S \* 4/1980 Neal ..... D12/84  
D255,340 S \* 6/1980 Flesche ..... D12/84  
D257,141 S \* 9/1980 Flesche ..... D12/84  
D268,997 S \* 5/1983 Dubernard ..... D12/84

(Continued)

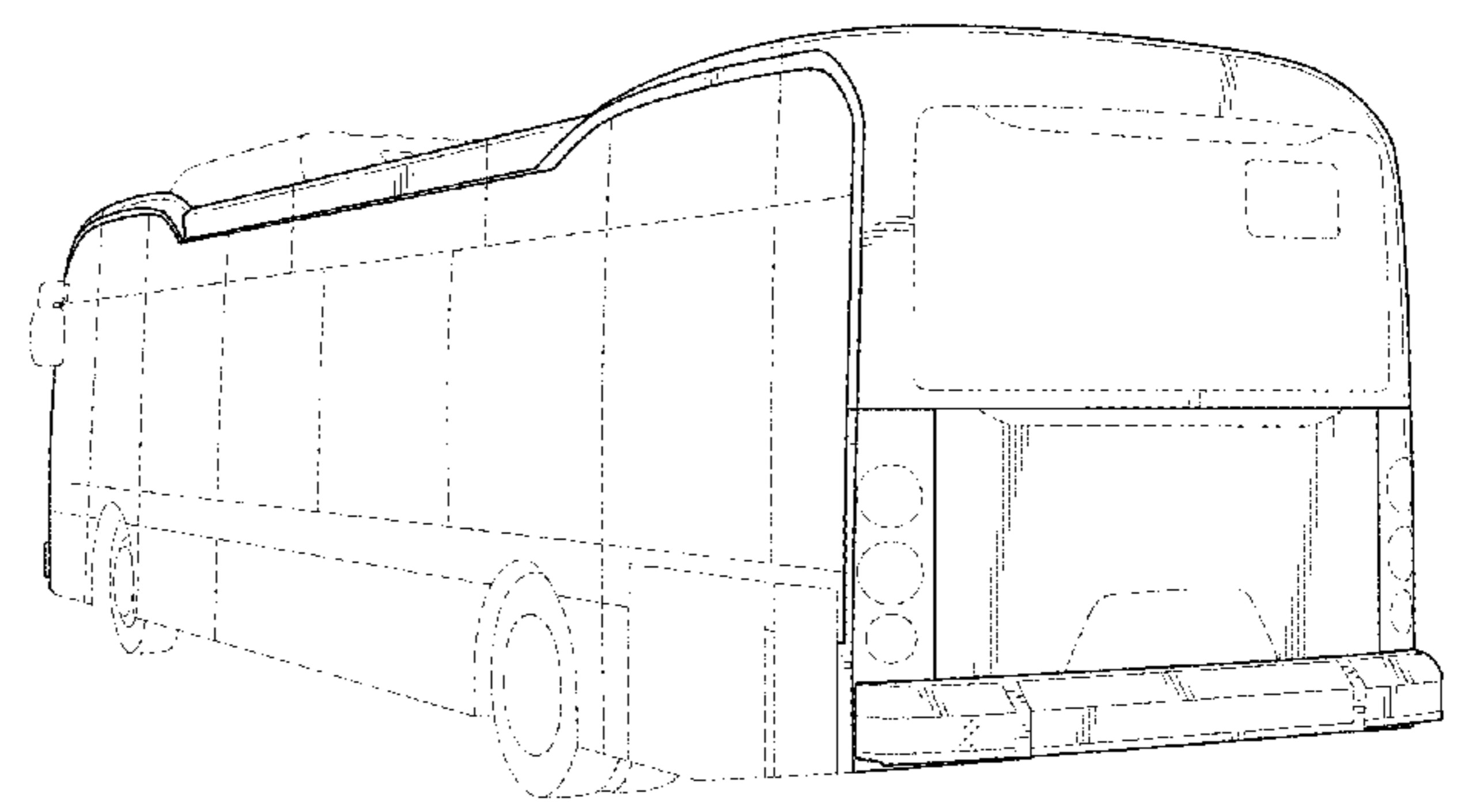
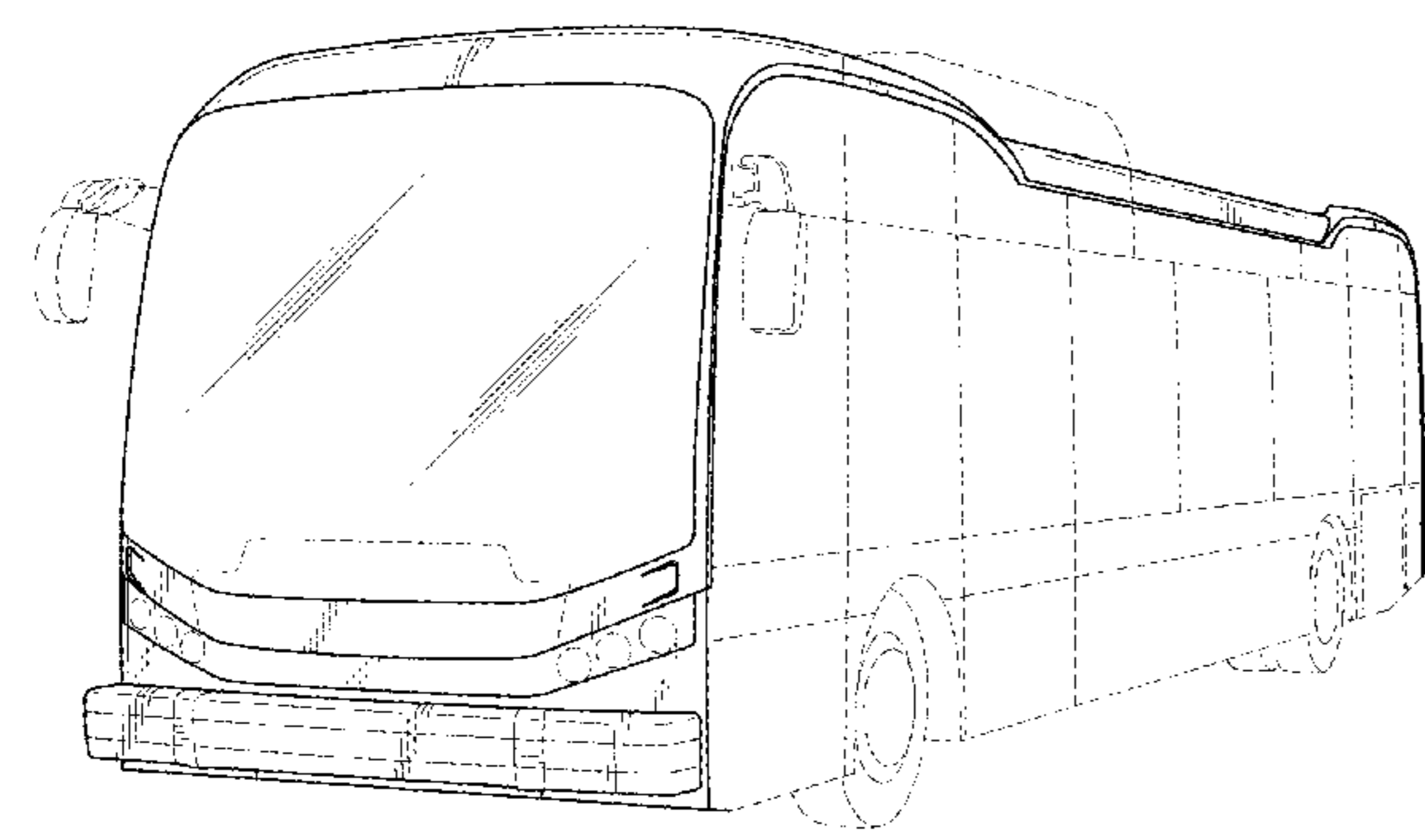
*Primary Examiner* — Darlington Ly  
(74) *Attorney, Agent, or Firm* — Calfee, Halter & Griswold LLP

(57) **CLAIM**  
We claim the ornamental design for a bus, as shown and described.

**DESCRIPTION**

FIG. 1 is a front elevational view of a bus;  
FIG. 2 is a rear elevational view thereof;  
FIG. 3 is a right side elevational view thereof;  
FIG. 4 is a left side elevational view thereof;  
FIG. 5 is a top plan view thereof;  
FIG. 6 is a top/front/right perspective view thereof; and,  
FIG. 7 is a top/rear/right perspective view thereof.  
The broken lines in the drawings illustrate portions of the bus that do not form part of the claimed design.

**1 Claim, 5 Drawing Sheets**



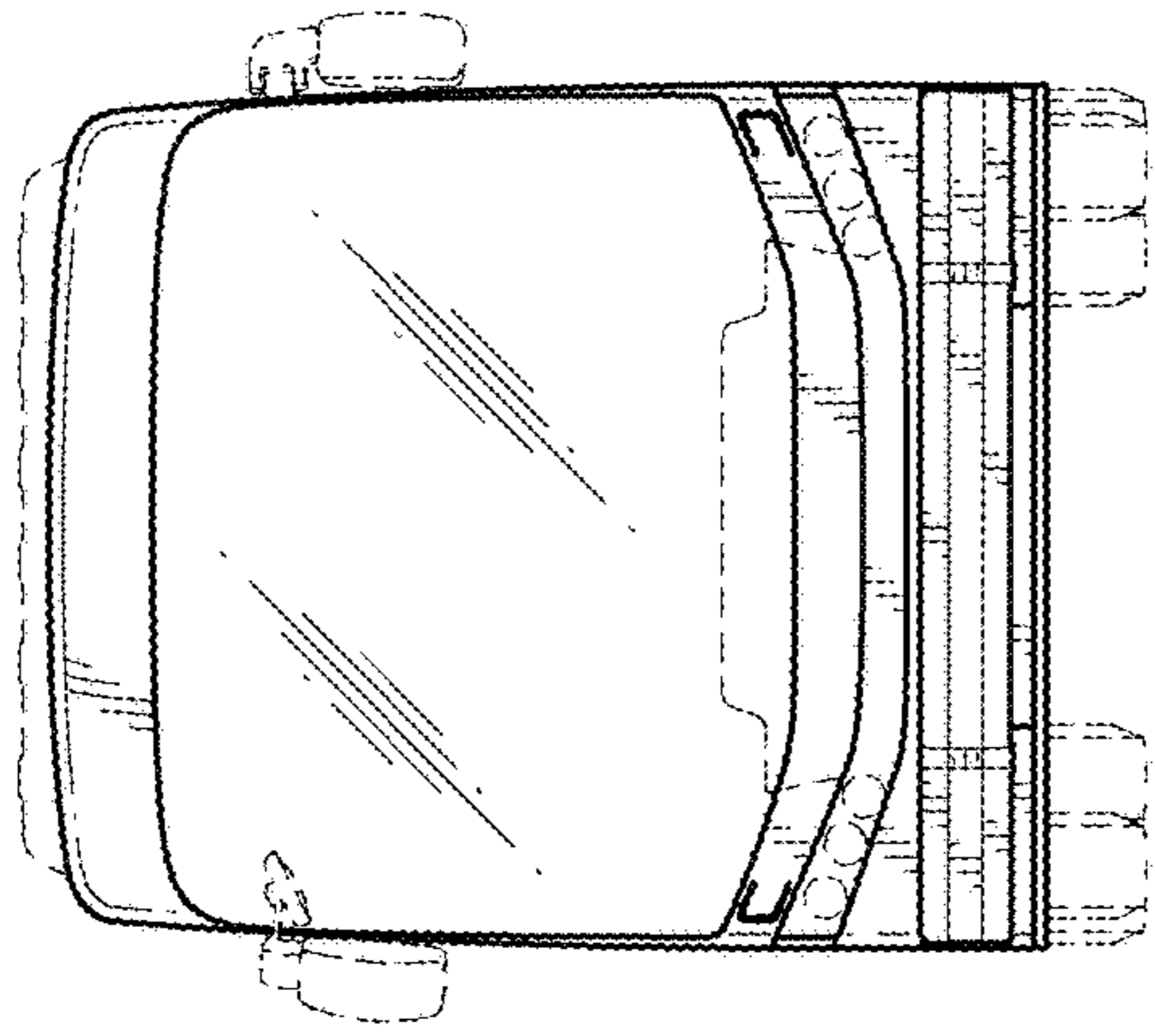
(56)

**References Cited**

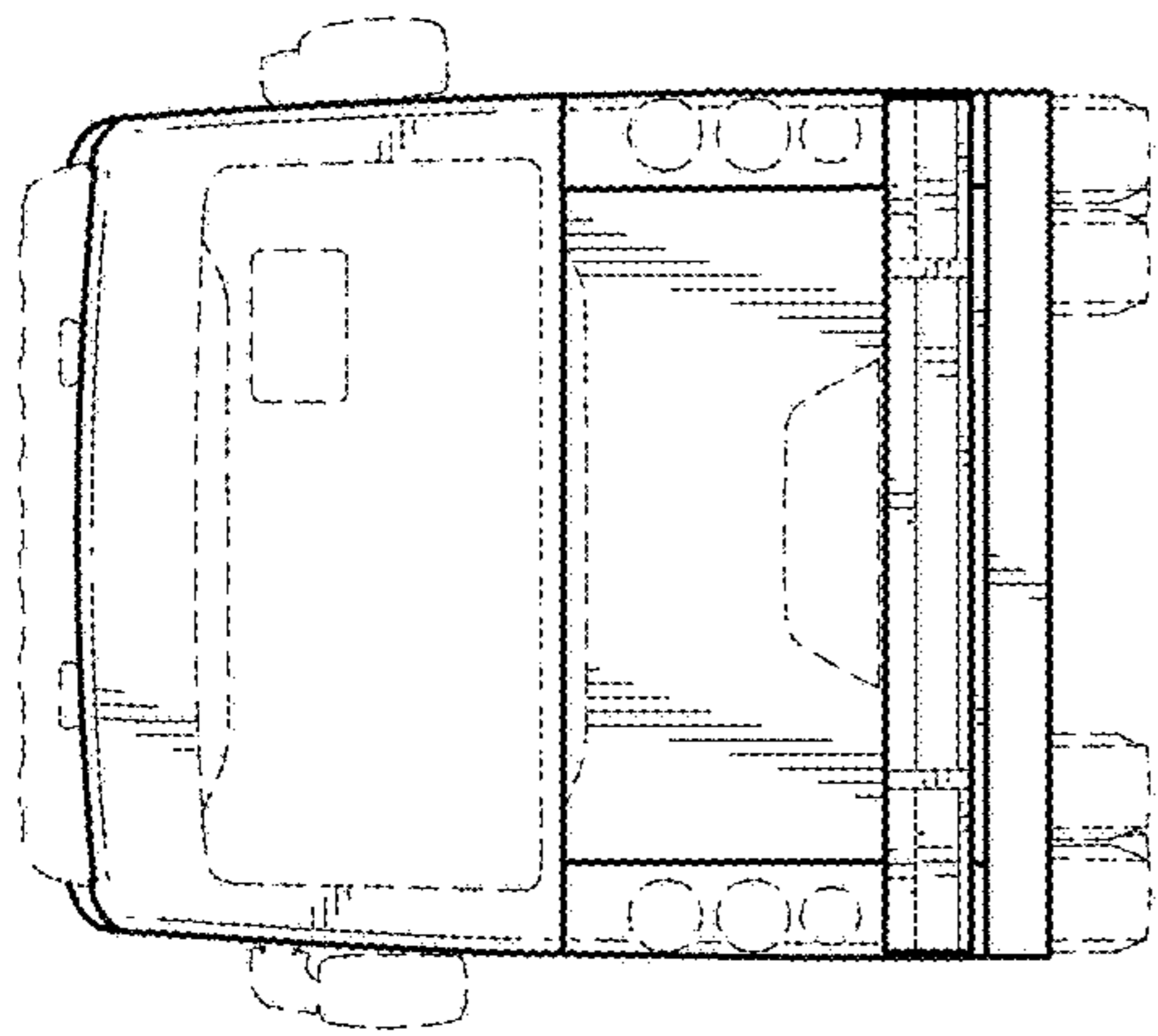
U.S. PATENT DOCUMENTS

2012/0161469 A1\* 6/2012 Kerr ..... B62D 47/02  
296/178

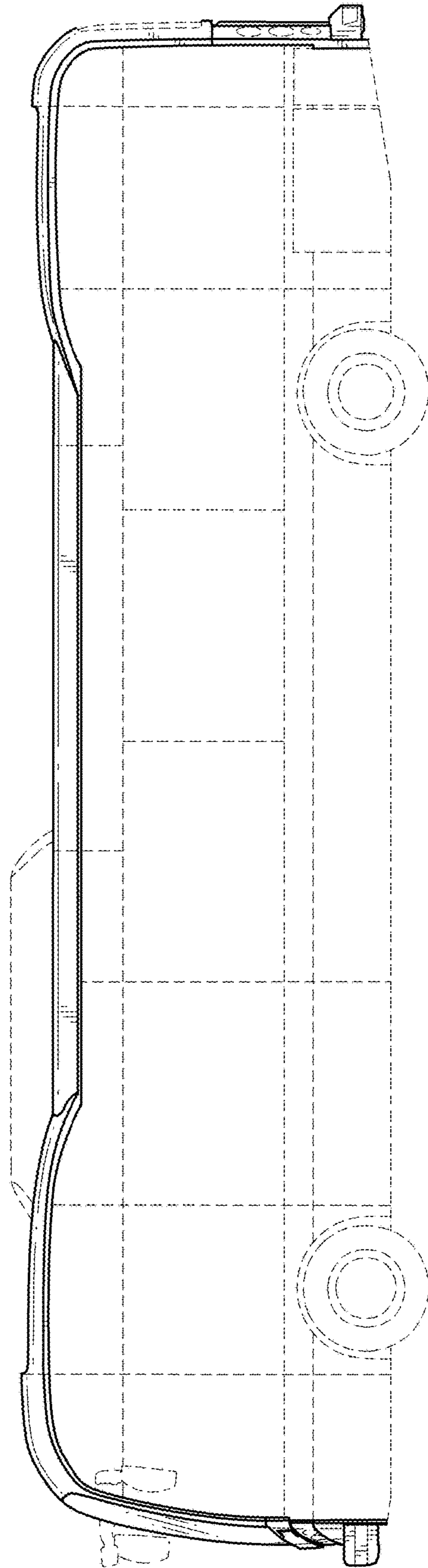
\* cited by examiner



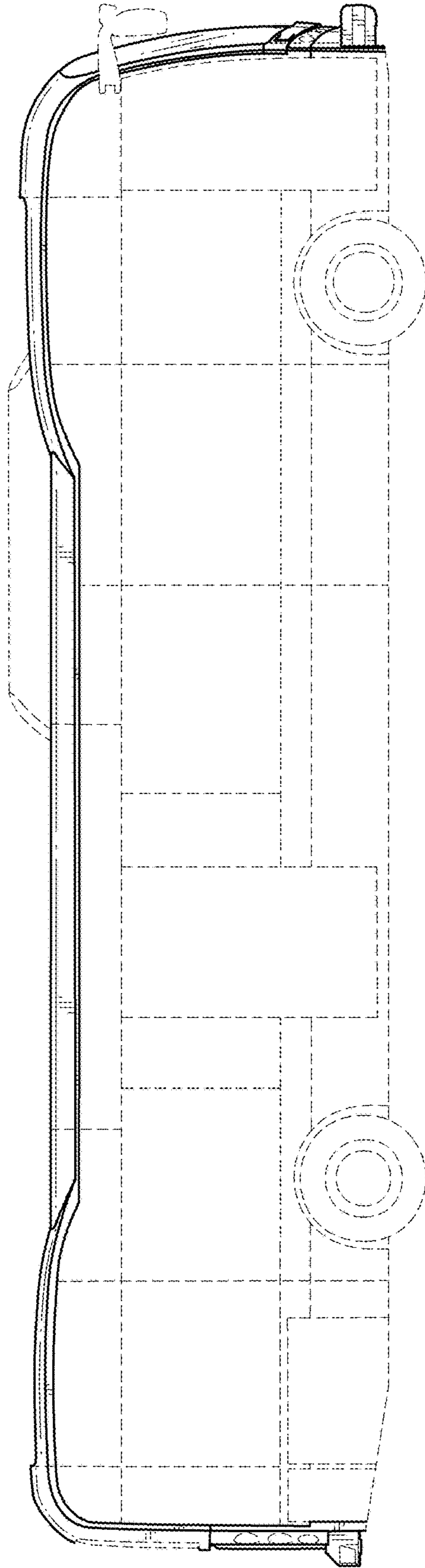
**FIG. 1**



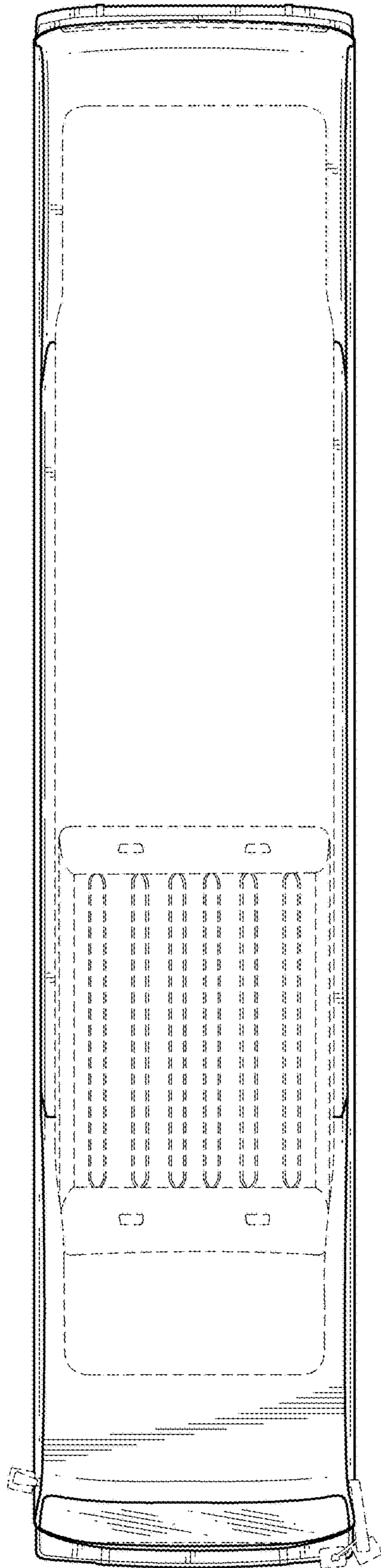
**FIG. 2**



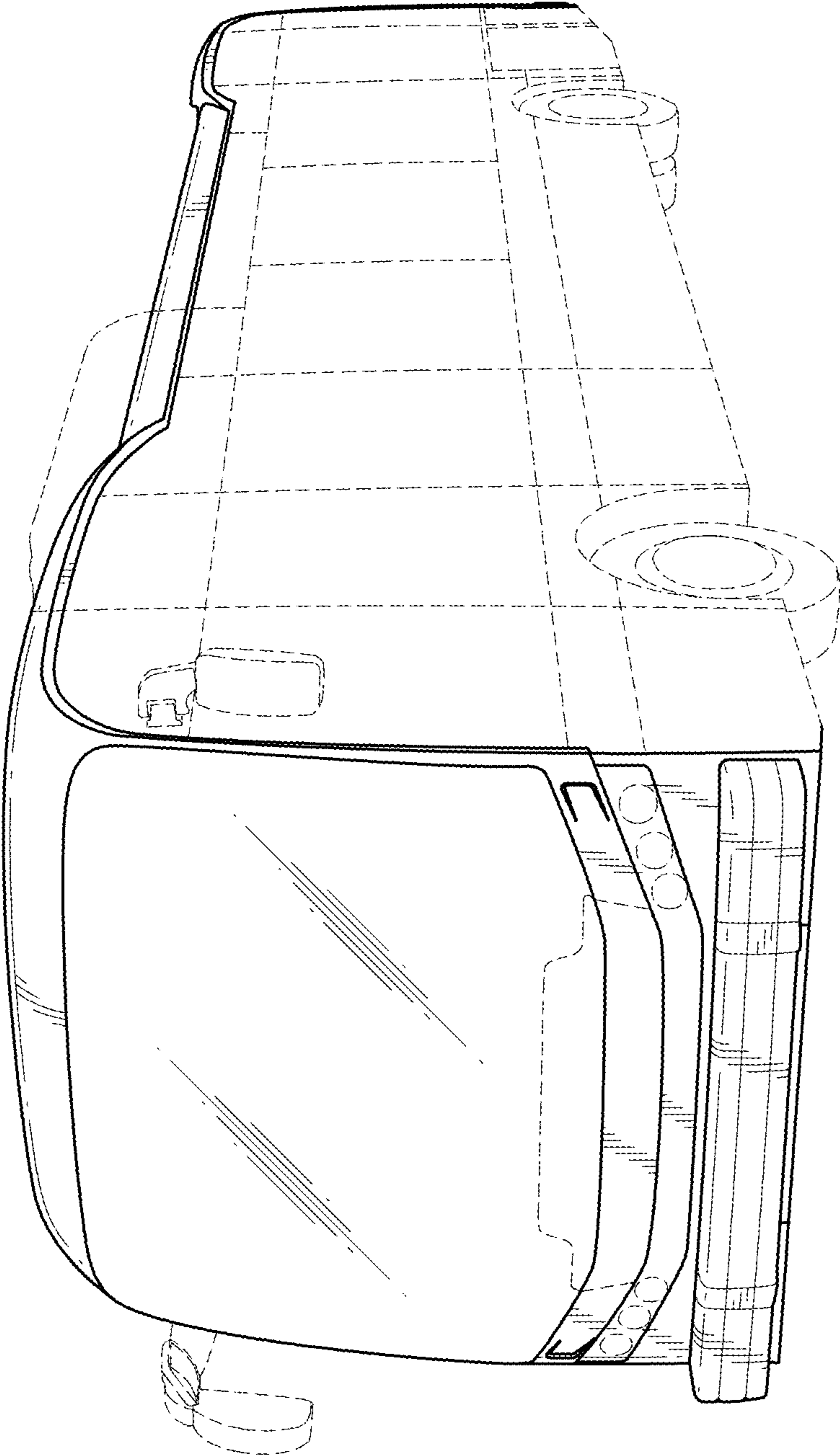
**FIG. 3**



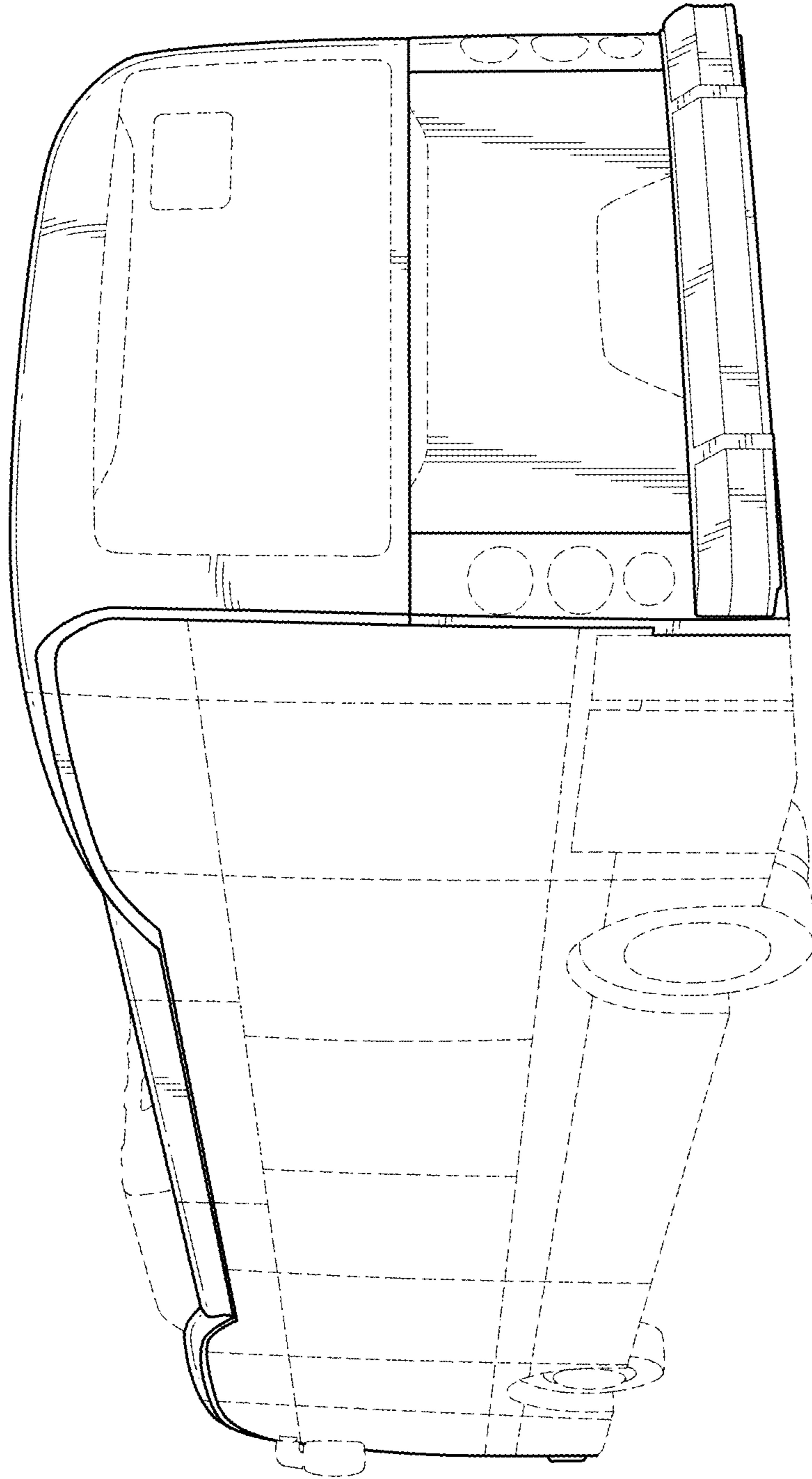
**FIG. 4**



**FIG. 5**



**FIG. 6**



**FIG. 7**