



US00D810621S

(12) **United States Design Patent** (10) **Patent No.:** **US D810,621 S**
Sadek (45) **Date of Patent:** **** Feb. 20, 2018**

(54) **AERIAL VEHICLE**
(71) Applicant: **KING SAUD UNIVERSITY**, Riyadh (SA)
(72) Inventor: **Shereef Aly Sadek**, Riyadh (SA)
(73) Assignee: **KING SAUD UNIVERSITY**, Riyadh (SA)
(**) Term: **15 Years**
(21) Appl. No.: **29/561,056**
(22) Filed: **Apr. 12, 2016**
(51) **LOC (11) Cl.** **12-07**
(52) **U.S. Cl.**
USPC **D12/16.1**
(58) **Field of Classification Search**
USPC D12/16.1, 319, 323, 326-330, 335, 343, D12/345; D21/436, 438, 440-443, D21/446-451, 453
CPC B64C 39/024; B64C 39/00; B64C 27/32; B64C 27/12; B64C 27/08; B64C 2201/024; B64C 2201/00; B64C 2201/021; B64C 2201/12; B64C 2201/123; B64C 2201/146; B64C 1/00; B64C 3/10; B64C 11/16; B64C 2203/00; A63H 27/00; A63H 27/02
See application file for complete search history.

D706,678 S * 6/2014 Earon D12/16.1
D725,548 S * 3/2015 Herald D12/16.1
D729,694 S * 5/2015 Earon D12/16.1
D741,247 S 10/2015 Brody et al.
2010/0237183 A1* 9/2010 Wilson B64C 39/024
244/3
2012/0092208 A1* 4/2012 LeMire G01S 13/87
342/29

(Continued)

FOREIGN PATENT DOCUMENTS

EP 2112065 A2 * 10/2009 B64C 39/024

OTHER PUBLICATIONS

FBI has been using drones since 2006, watchdog agency says, posted at LATimes.com, posted on Sep. 26, 2013, site visited Apr. 11, 2017, <<http://www.latimes.com/nation/nationnow/la-na-nn-fbi-using-drones-2006-20130926-story.html>>.*

(Continued)

Primary Examiner — Barbara Fox
Assistant Examiner — Messina L Smith
(74) *Attorney, Agent, or Firm* — Richard C. Litman

(57) **CLAIM**

The ornamental design for an aerial vehicle, as shown and described.

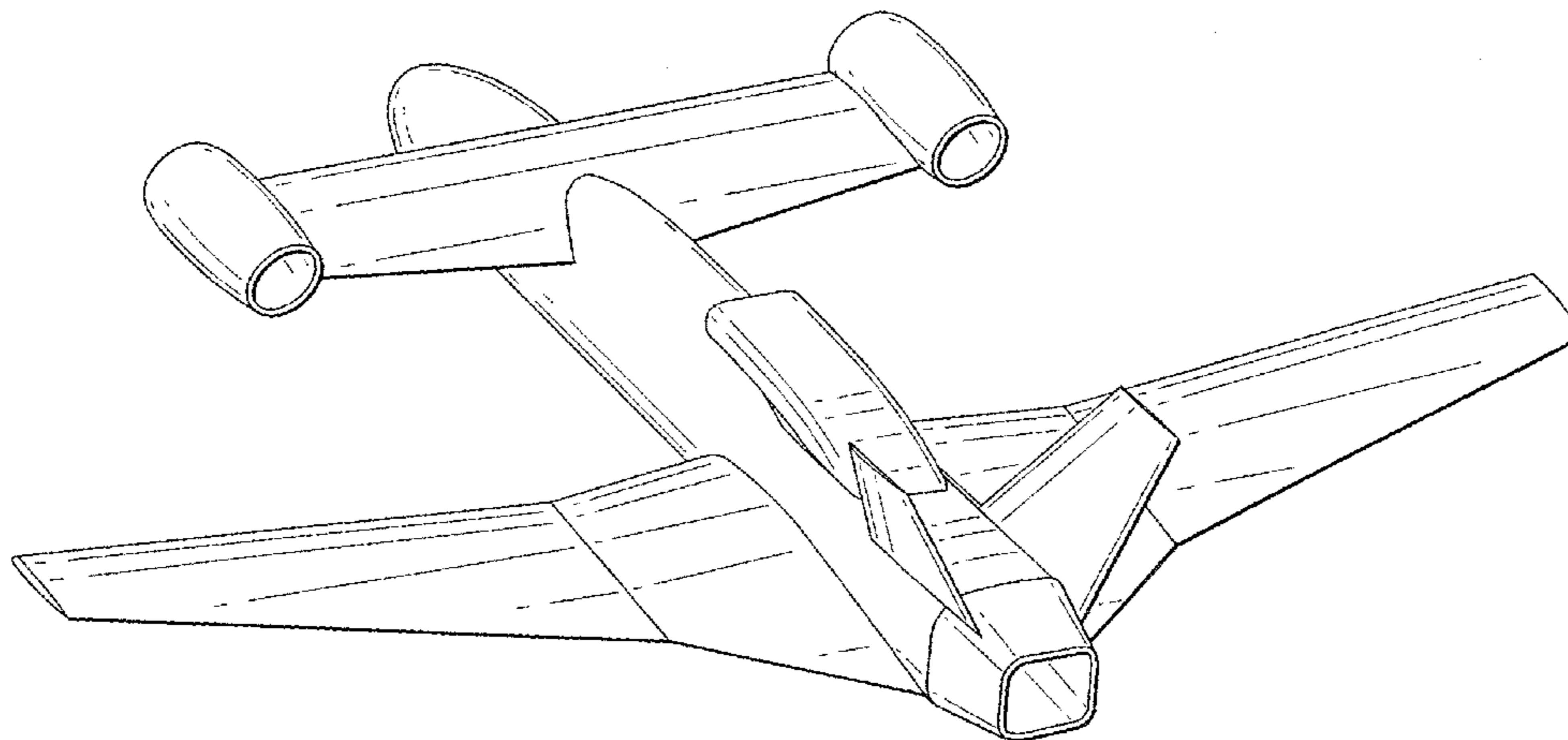
DESCRIPTION

FIG. 1 is a front elevational view of an aerial vehicle showing my new design;
FIG. 2 is a rear elevational view thereof;
FIG. 3 is a right side elevational view with the left side being a mirror image thereof;
FIG. 4 is a top view thereof;
FIG. 5 is a bottom view thereof;
FIG. 6 is a perspective view thereof; and,
FIG. 7 is a perspective view of an alternative position thereof.

1 Claim, 5 Drawing Sheets

(56) **References Cited**
U.S. PATENT DOCUMENTS

5,419,514 A 5/1995 Ducan
D437,284 S * 2/2001 Knutson D12/319
7,188,802 B2 3/2007 Magre
D573,939 S * 7/2008 Las Heras D12/319
7,410,122 B2 8/2008 Robbins
D596,267 S * 7/2009 Colgren D12/319
7,735,774 B2 6/2010 Lugg
D665,331 S * 8/2012 Sands D12/319
8,636,241 B2 1/2014 Lugg et al.
8,720,814 B2 5/2014 Smith



(56)

References Cited

U.S. PATENT DOCUMENTS

2014/0332620 A1* 11/2014 Earon B64C 39/024
244/13
2015/0051758 A1* 2/2015 Cho G05D 1/0676
701/16
2016/0297520 A1* 10/2016 Sada-Salinas B64C 29/0025

OTHER PUBLICATIONS

Posts Tagged 'UAV', posted at Blogs.mentor.com, posted on Nov. 30, 2012, site visited Apr. 11, 2017, <<https://blogs.mentor.com/jvandomelen/blog/tag/uav/page/2/>>.*

* cited by examiner

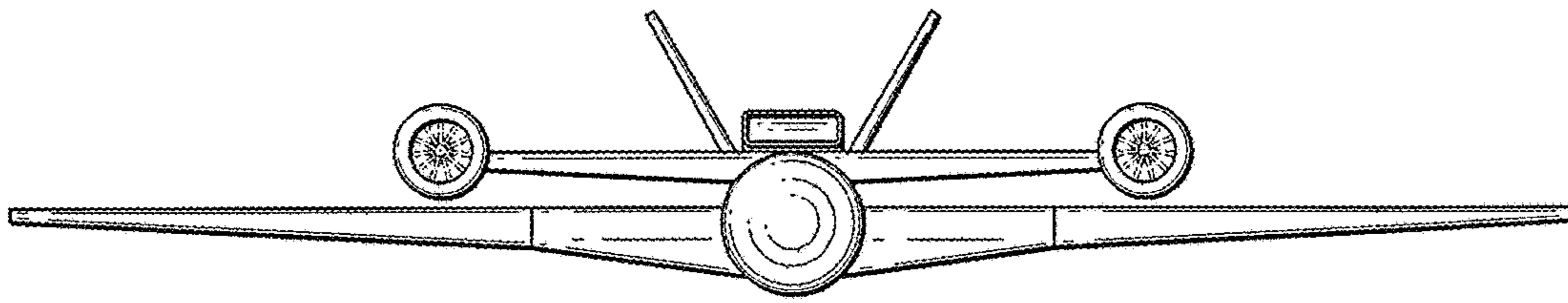


Fig. 1

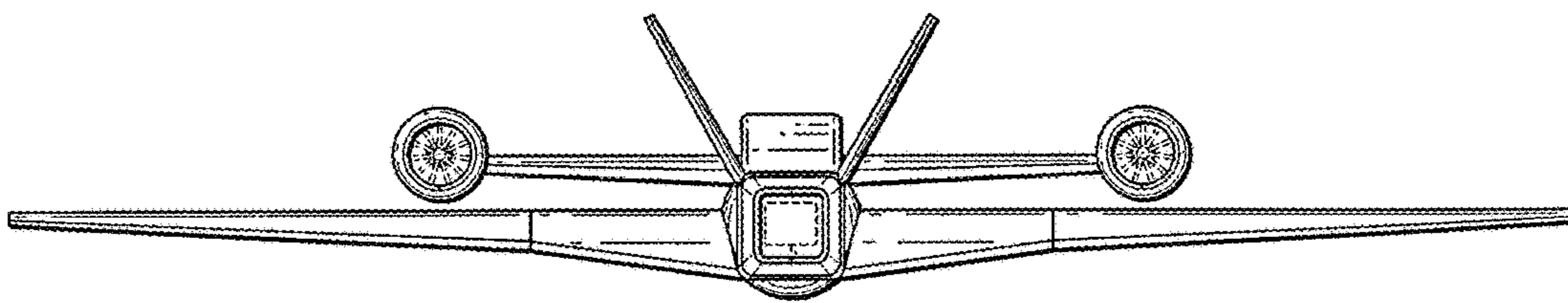


Fig. 2

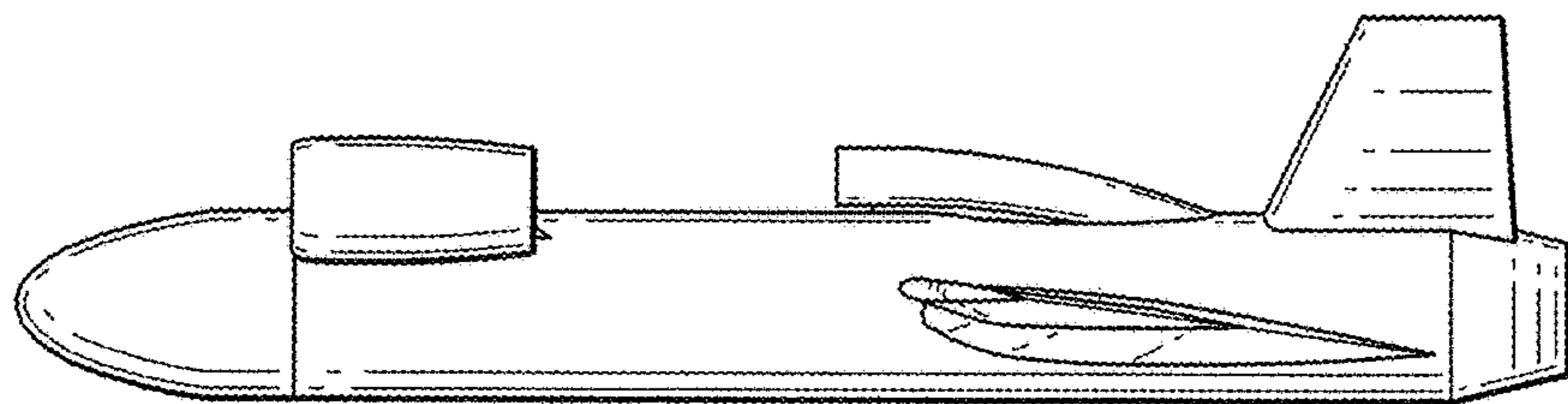


Fig. 3

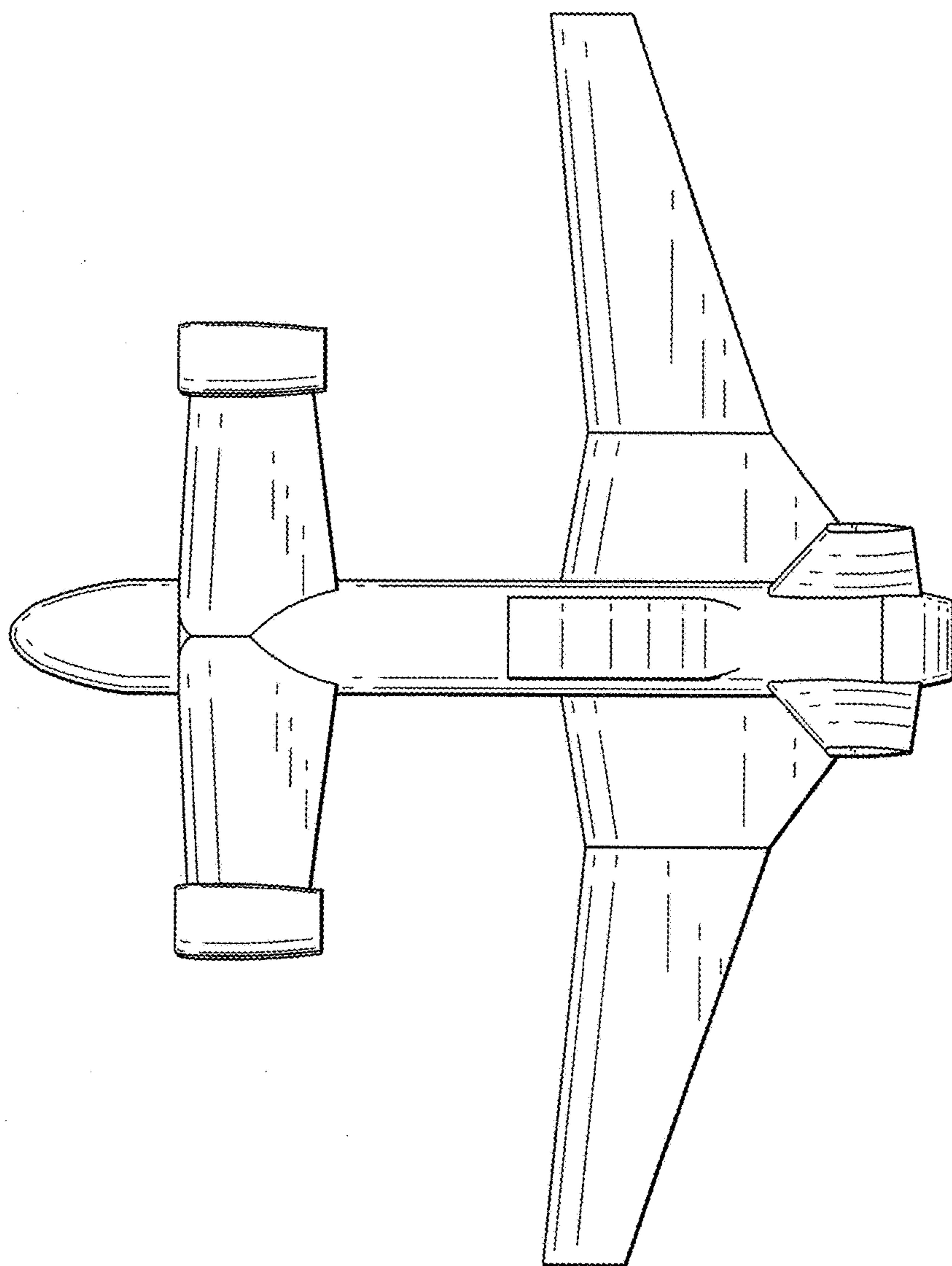


Fig. 4

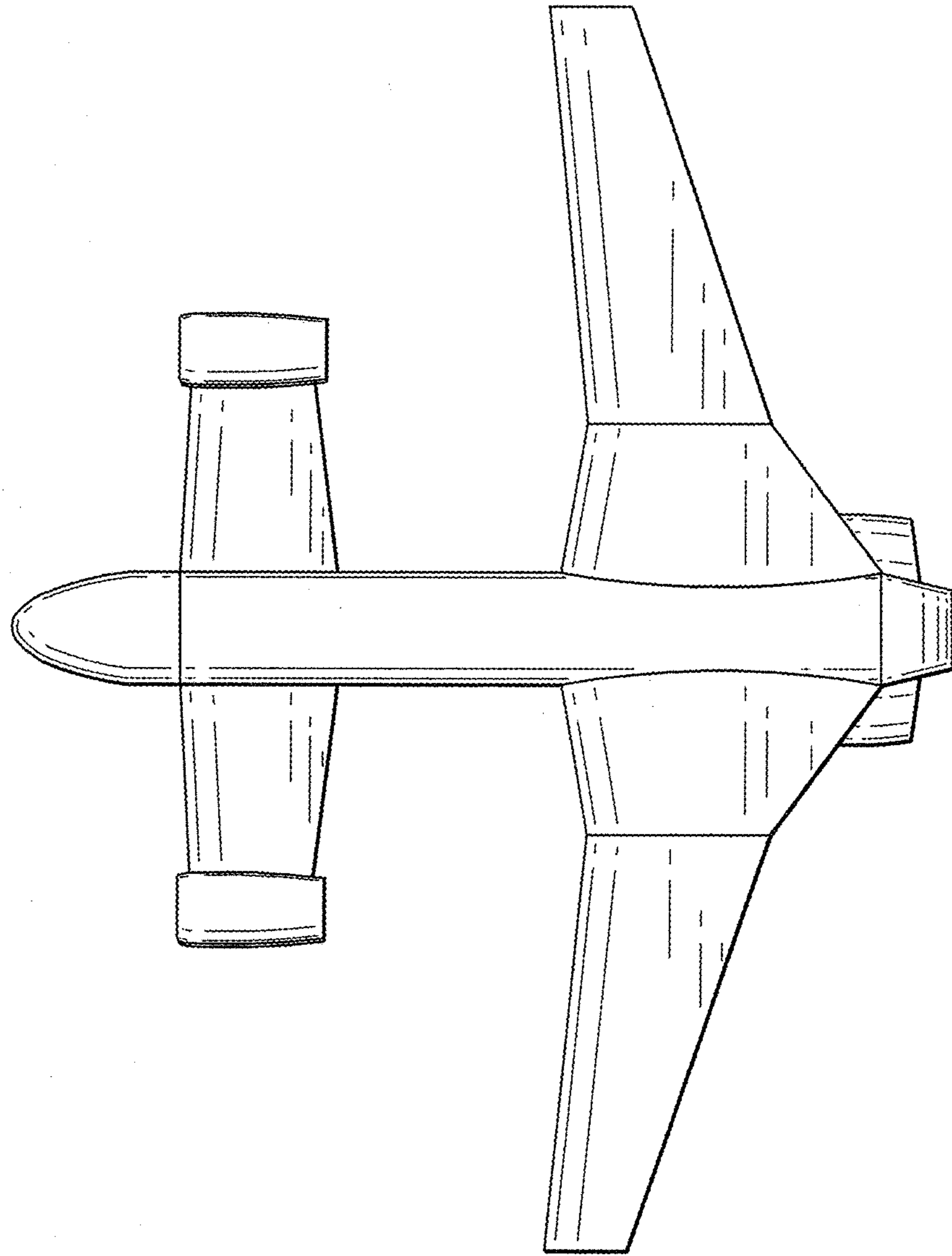


Fig. 5

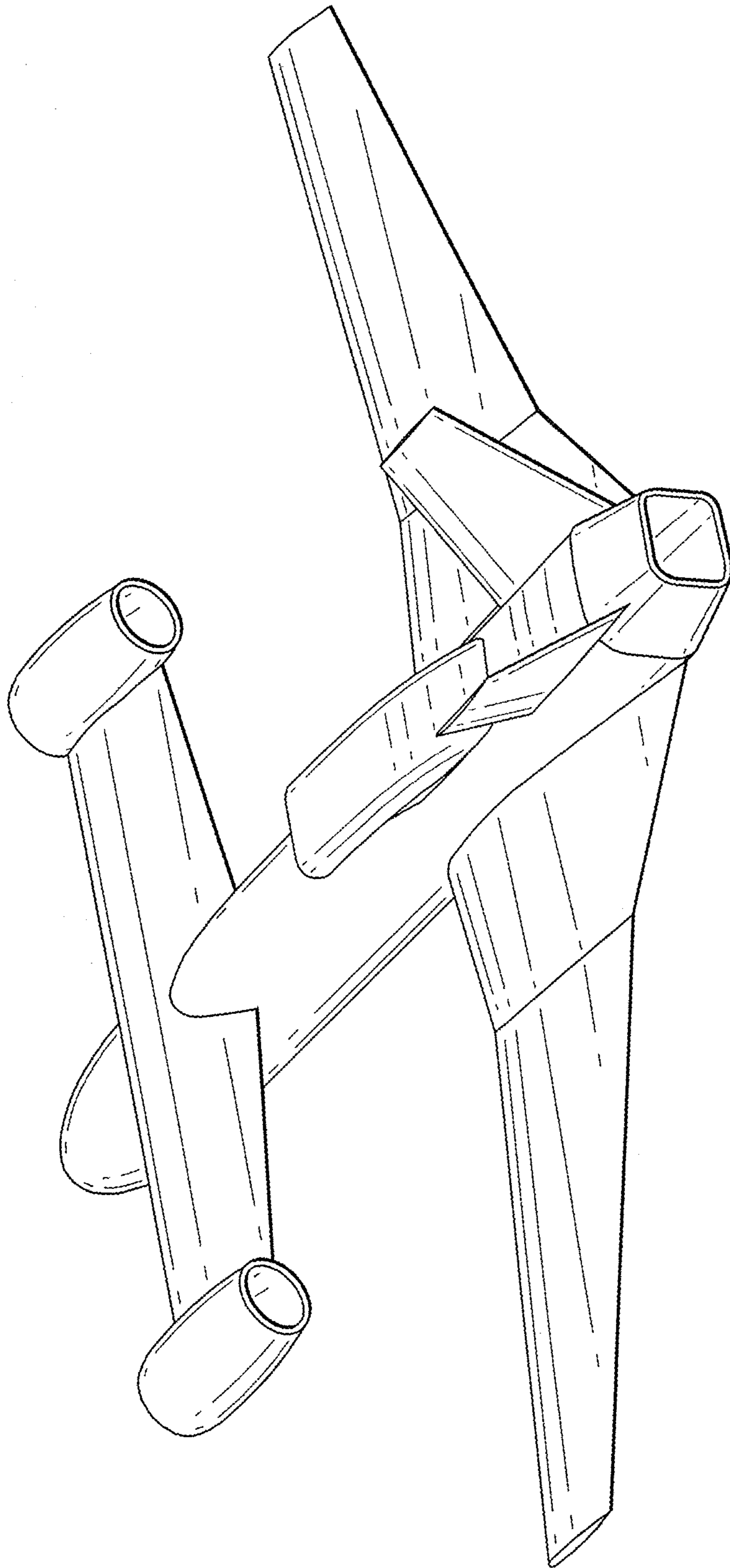


Fig. 6

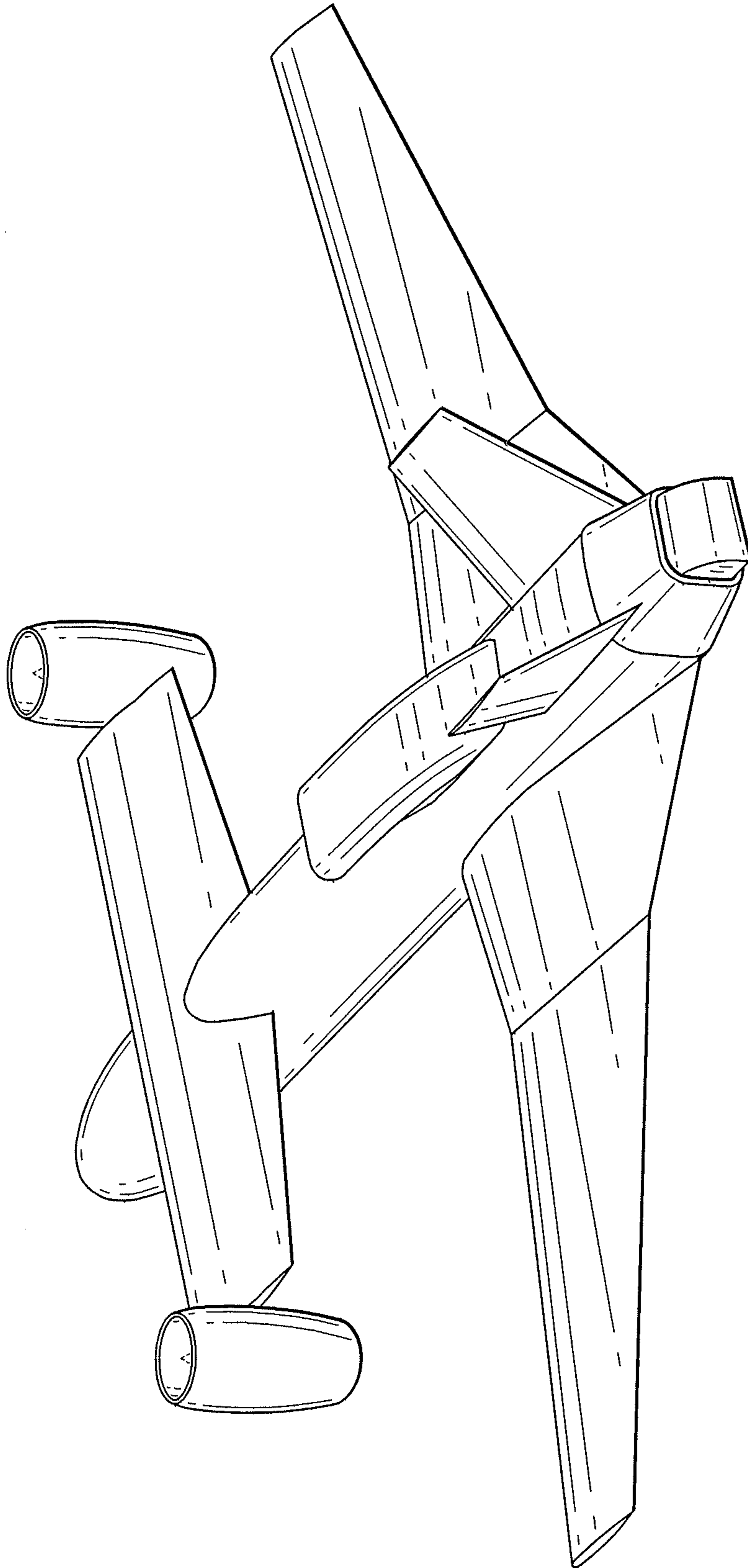


Fig. 7