



US00D810620S

(12) **United States Design Patent** (10) **Patent No.:** **US D810,620 S**
Lacock et al. (45) **Date of Patent:** **** Feb. 20, 2018**

- (54) **FRONT COWL FOR A VEHICLE**
- (71) Applicant: **INGERSOLL-RAND COMPANY**,
Davidson, NC (US)
- (72) Inventors: **Gregory James Lacock**, Augusta, GA
(US); **Grayson James Kroyer**,
Shakopee, MN (US); **Adam James
Hiler**, Minneapolis, MN (US)
- (73) Assignee: **Ingersoll-Rand Company**, Davidson,
NC (US)
- (**) Term: **15 Years**
- (21) Appl. No.: **29/566,456**
- (22) Filed: **May 31, 2016**
- (51) **LOC (11) Cl.** **12-02**
- (52) **U.S. Cl.**
USPC **D12/16**
- (58) **Field of Classification Search**
USPC D6/362; D12/1, 14, 16, 82, 86, 87, 88,
D12/92, 96, 107, 112, 113, 164, 173;
D15/10; D21/551, 556, 559; D34/15
CPC B62D 21/15; B62D 25/08; B62D 29/00;
B62D 29/04; B62D 33/02; B62D 25/081;
B62D 25/082; B62D 25/24; B23P 6/00;
B60R 21/34; B60R 13/0838; B60J 1/005
See application file for complete search history.

(56) **References Cited**

U.S. PATENT DOCUMENTS

D352,723 S *	11/1994	DeBaal	D12/163
D472,857 S *	4/2003	Weber	D12/173
D562,189 S *	2/2008	Miwa	D12/107
D629,724 S *	12/2010	Guay	D12/164
D645,383 S *	9/2011	Mochizuki	D12/164
D701,143 S *	3/2014	Shan	D12/87
D722,536 S *	2/2015	Hobo	D12/107
D738,257 S *	9/2015	Criss, Jr.	D12/14

D775,006 S *	12/2016	Lee	D12/164
2003/0034670 A1 *	2/2003	Adamski	B62D 21/152 296/187.05
2012/0031694 A1 *	2/2012	Deckard	F16H 57/0416 180/68.3

(Continued)

OTHER PUBLICATIONS

Brad's Golf Cars, posted at Facebook.com, posted on Feb. 18, 2017, [online], [site visited Feb. 21, 2017]. Available from Internet, < <https://www.facebook.com/bradsgolfcars/photos/a.10152156321884979.1073741825.122625004978/10152576424379979/?type=3&theater>>.*

(Continued)

Primary Examiner — Mary Ann Calabrese
Assistant Examiner — Catherine Ho
(74) *Attorney, Agent, or Firm* — Sunstone IP

(57) **CLAIM**

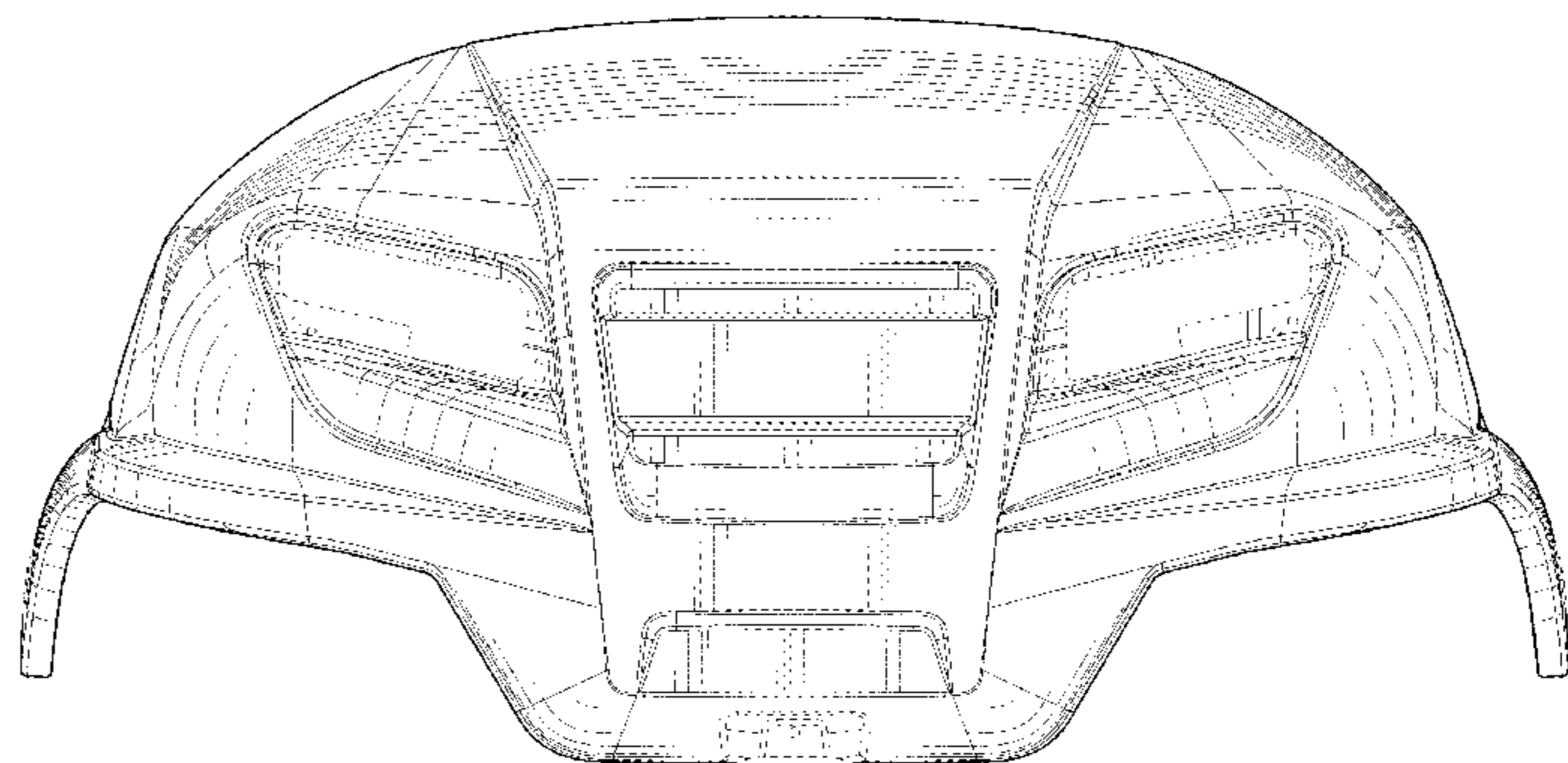
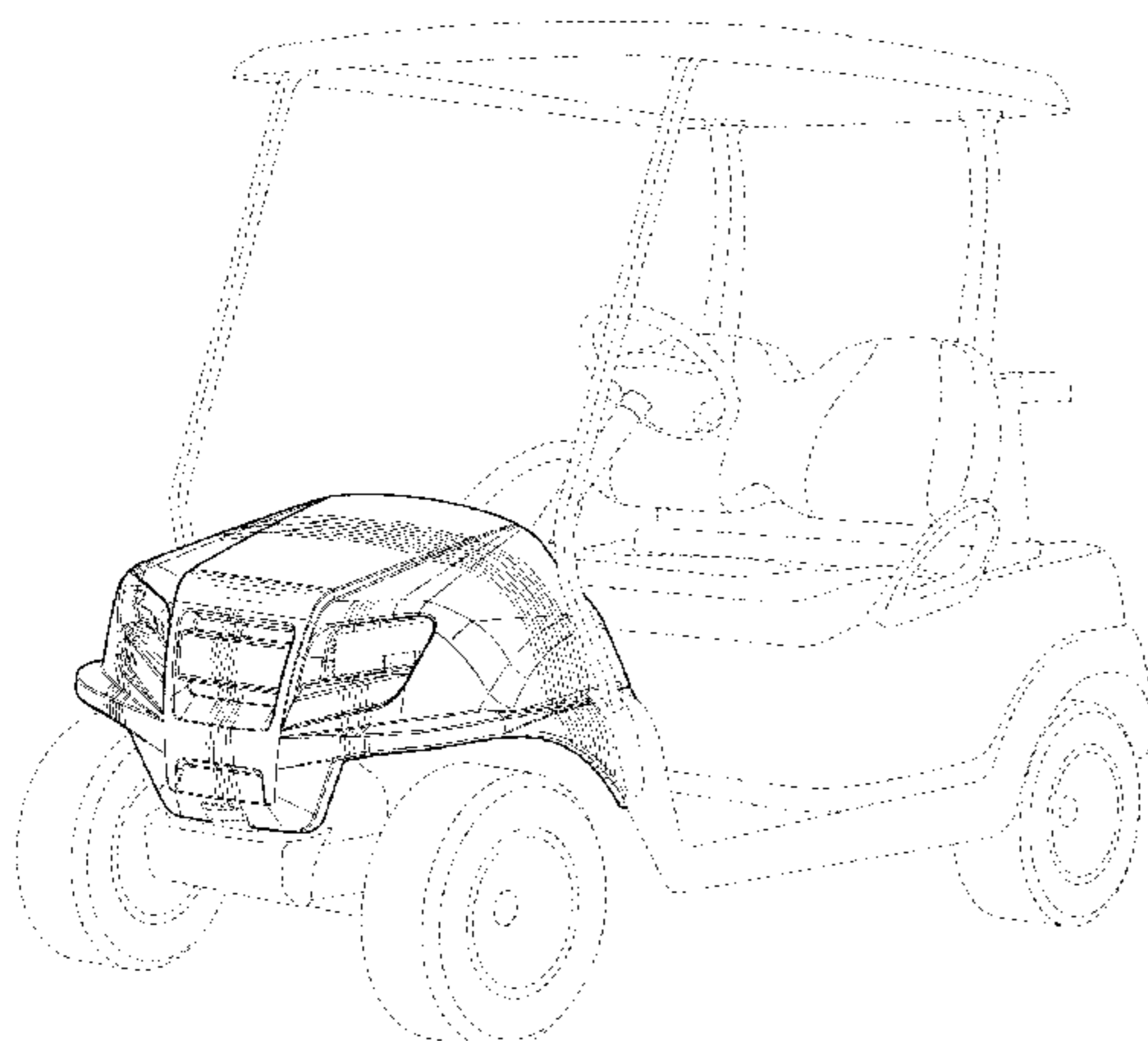
The ornamental design for a front cowl for a vehicle, as shown and described.

DESCRIPTION

FIG. 1 is a front perspective view of the front cowl for a vehicle in an environment of use;
FIG. 2 is a front perspective view of the front cowl for a vehicle;
FIG. 3 is a front elevation view thereof;
FIG. 4 is a rear elevation view thereof;
FIG. 5 is a side elevation view thereof;
FIG. 6 is an opposite side elevation view thereof;
FIG. 7 is a top plan view thereof; and,
FIG. 8 is a bottom plan view thereof.

The broken line showing of parts of the drawings is included for the purpose of illustrating background environment and forms no part of the claimed design. The dash-dot broken lines are boundary lines which define the edge of the claimed design and form no part of the claimed design.

1 Claim, 7 Drawing Sheets



(56)

References Cited

U.S. PATENT DOCUMENTS

2016/0144900 A1* 5/2016 Fortin B60R 19/023
296/193.1

OTHER PUBLICATIONS

Experience the E-Z-GO, posted at Youtube.com, posted on Mar. 15, 2013, [online], [site visited Feb. 21, 2017]. Available from Internet, <
<https://youtu.be/f6XQCsPrnds?list=PL11N7igN6EfF-AEZolmEjyzJH0mGmOrXd>>.*

GEM Launches New Vehicles for 2015, posted at Smallvehicleresource.com, posted on Jul. 28, 2014, [online], [site visited Feb. 21, 2017]. Available from Internet, <<http://www.smallvehicleresource.com/blog/2014/07/28/gem-launches-new-vehicles-for-2015-model-year/>>.*

Review: Kubota RTV-X1120D UTV, posted at Youtube.com, posted on Feb. 25, 2015, [online], [site visited Feb. 21, 2017]. Available from Internet, <
<https://www.youtube.com/watch?v=ue9pLqtUJXo>>.*

Office action dated Apr. 6, 2017 from U.S. Appl. No. 29/566,461, filed May 31, 2016.

Notice of Allowance dated Oct. 12, 2017 from U.S. Appl. No. 29/566,461, filed May 31, 2016.

* cited by examiner

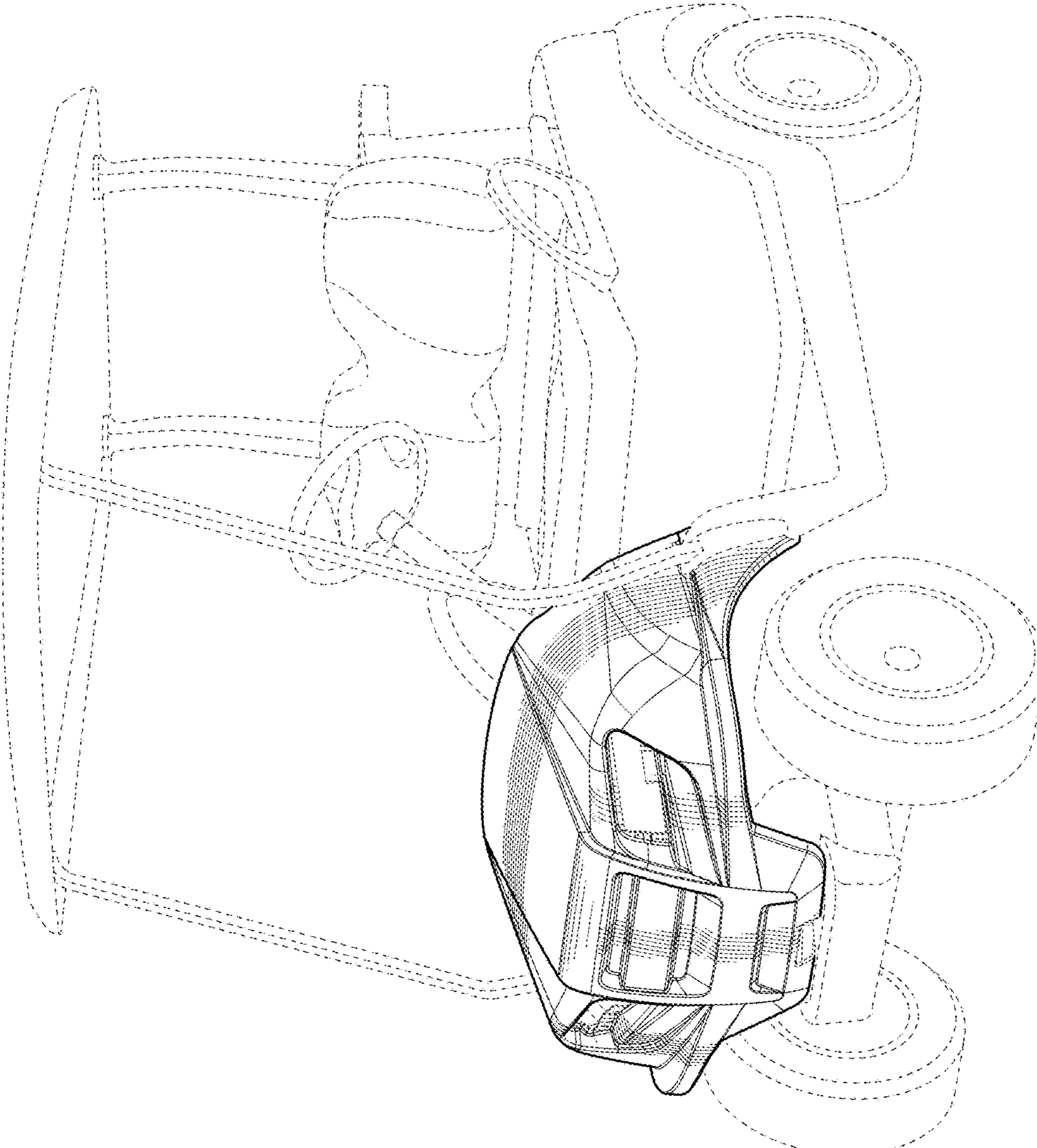


FIG. 1

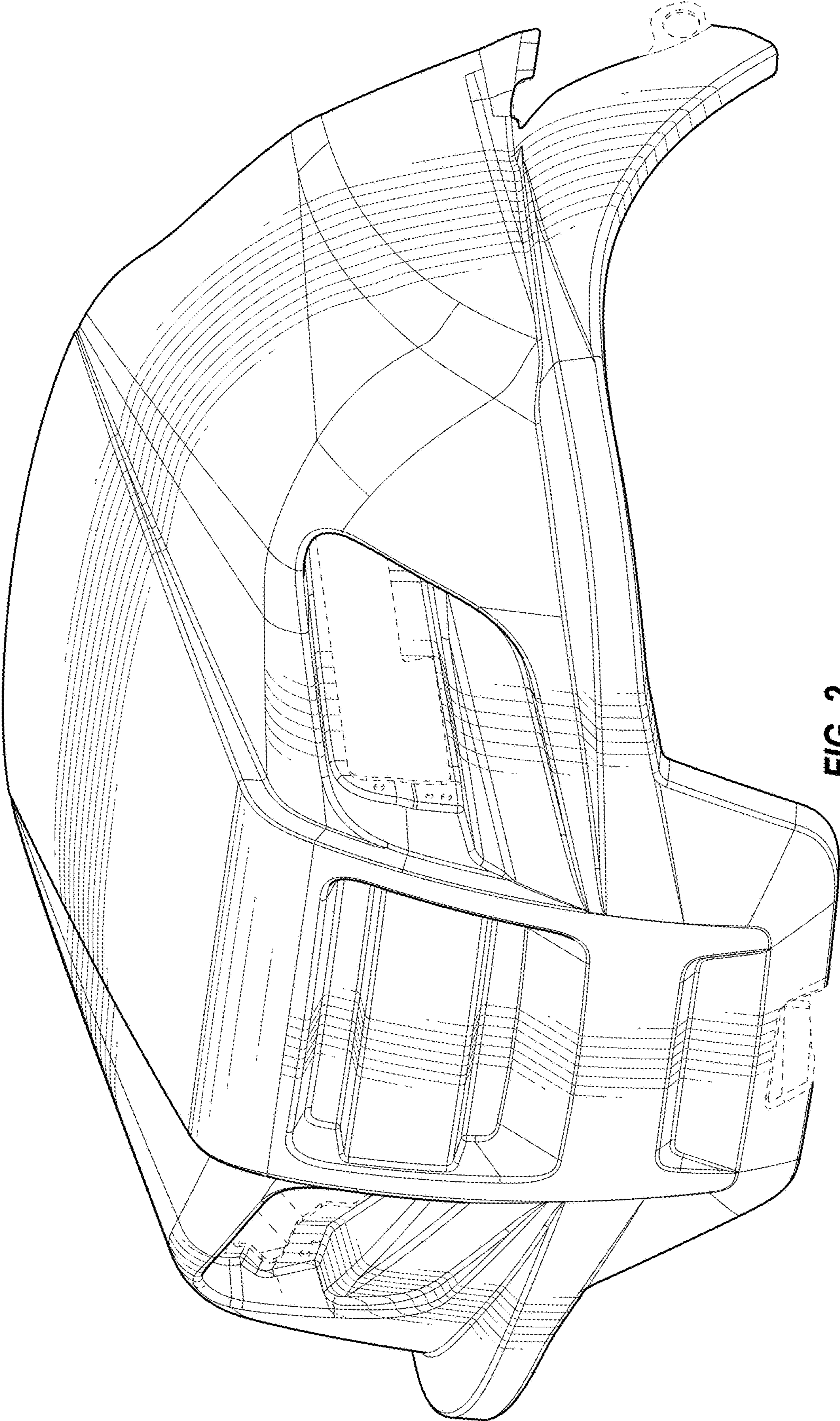


FIG. 2

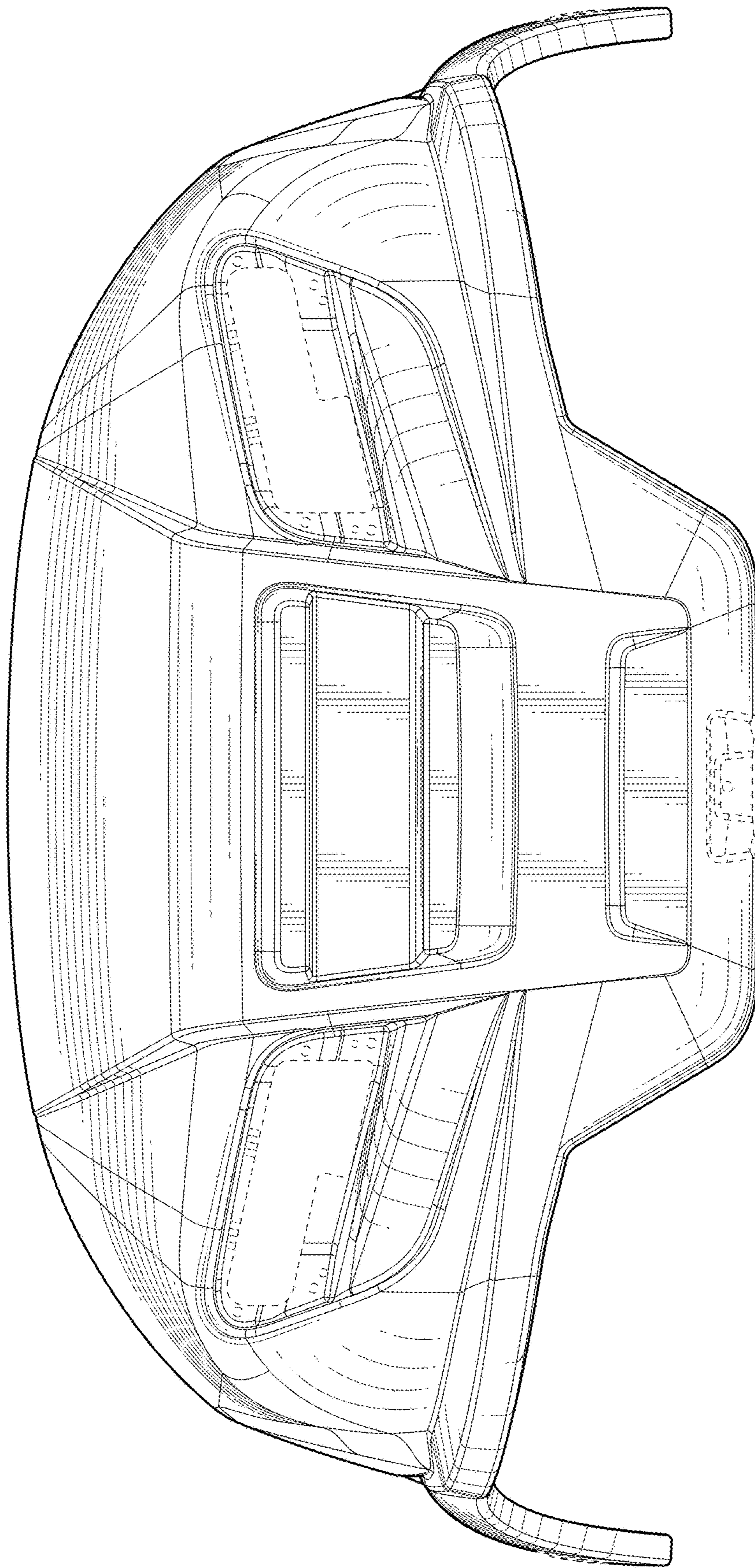


FIG. 3

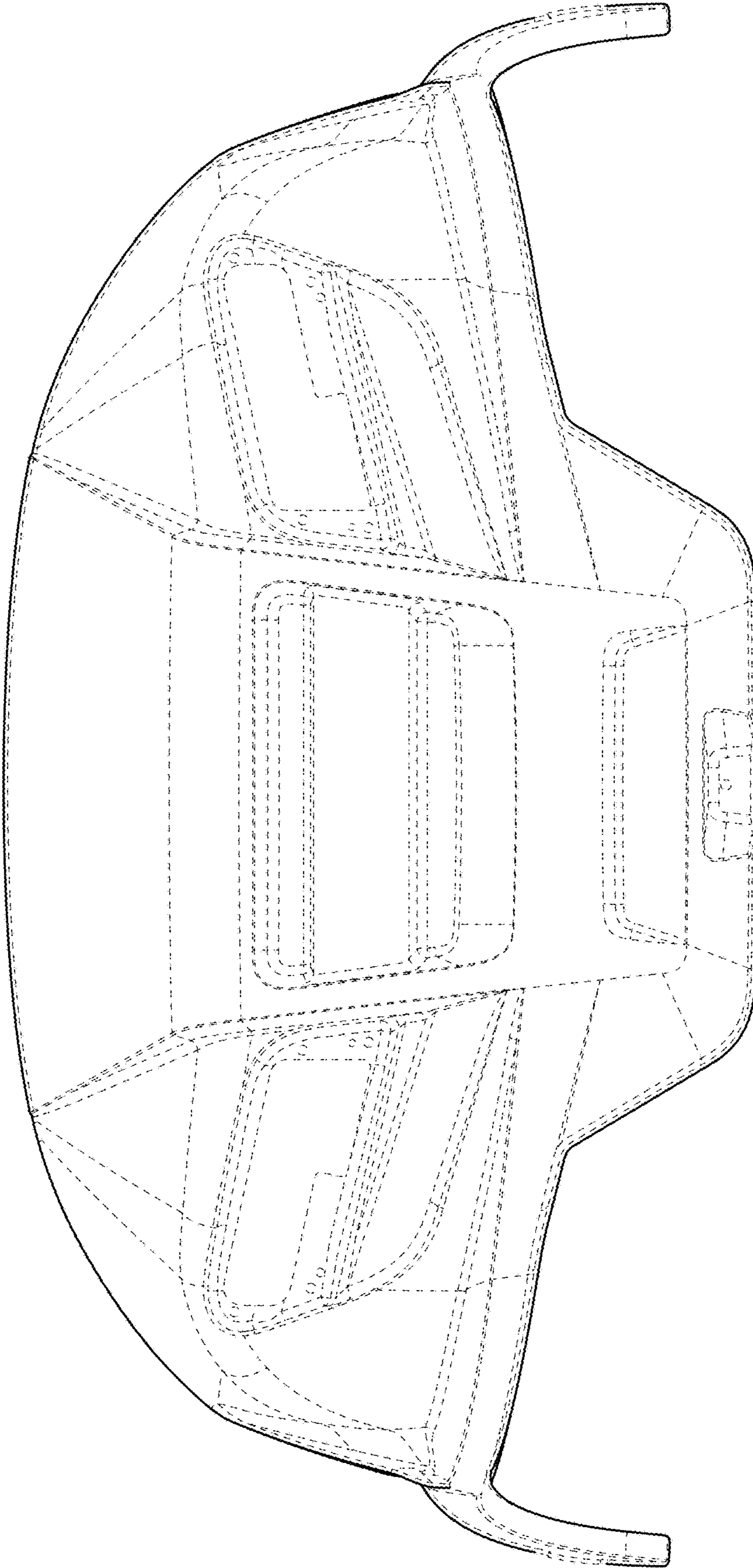


FIG. 4

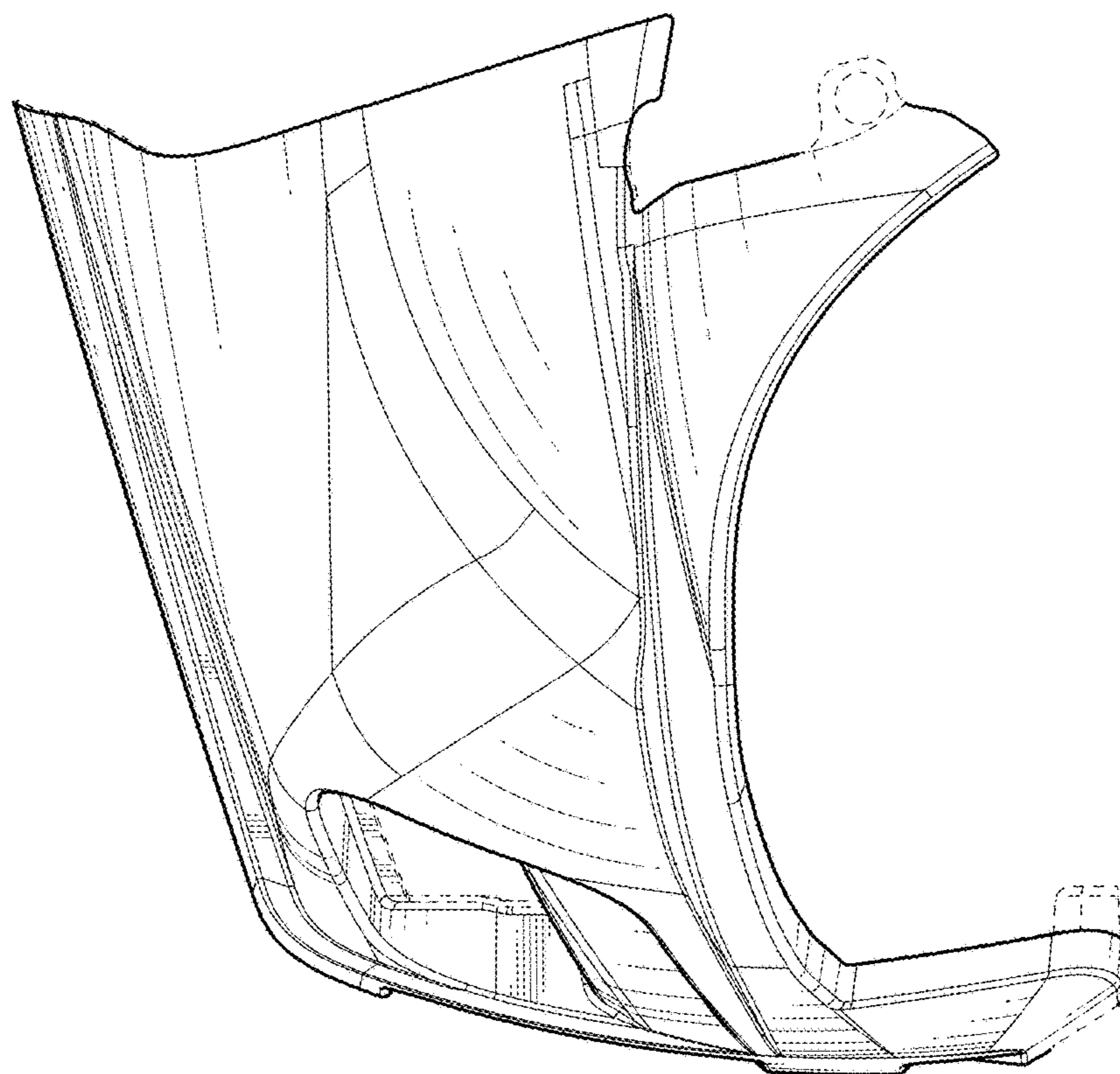


FIG. 6

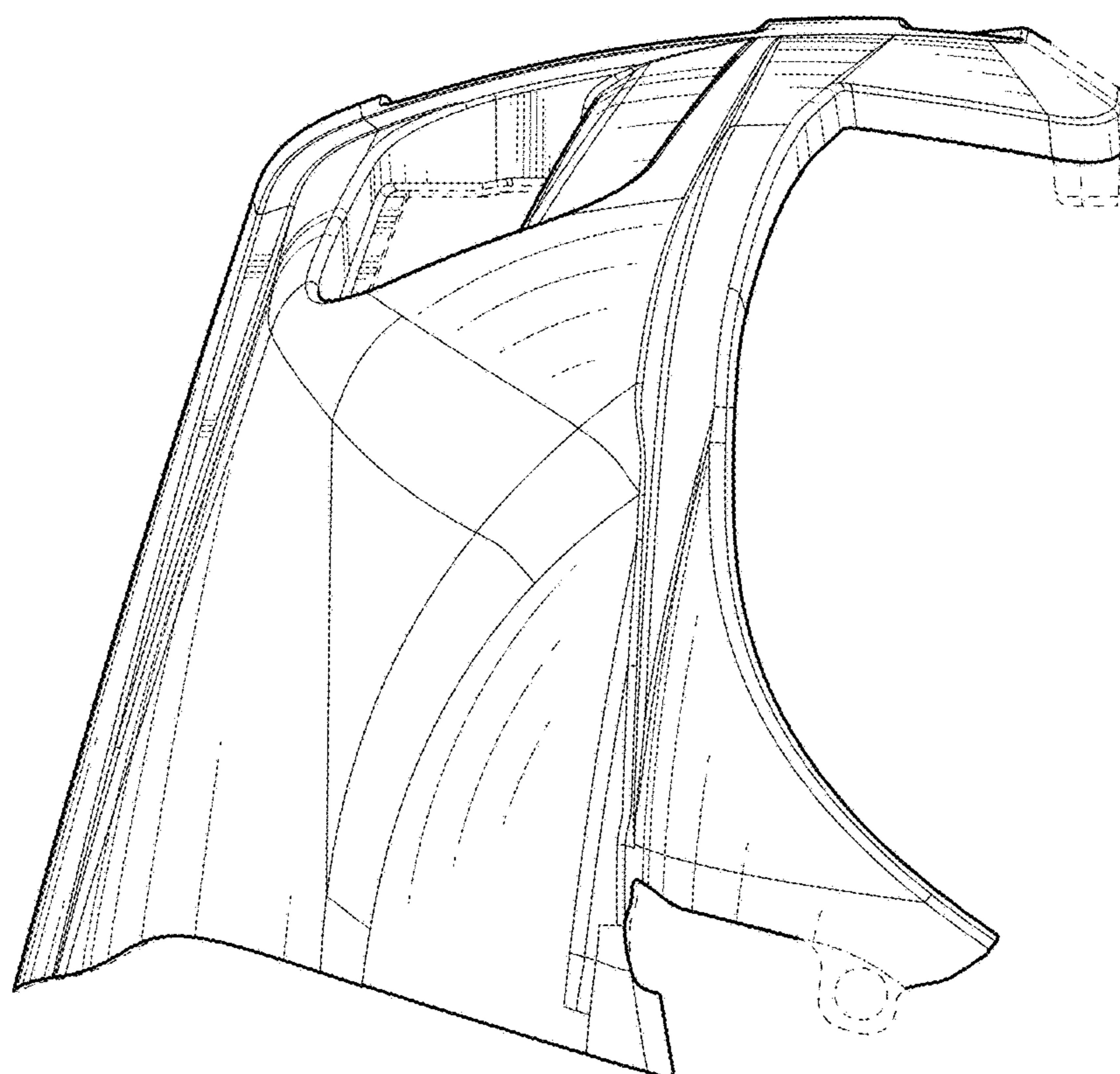


FIG. 5

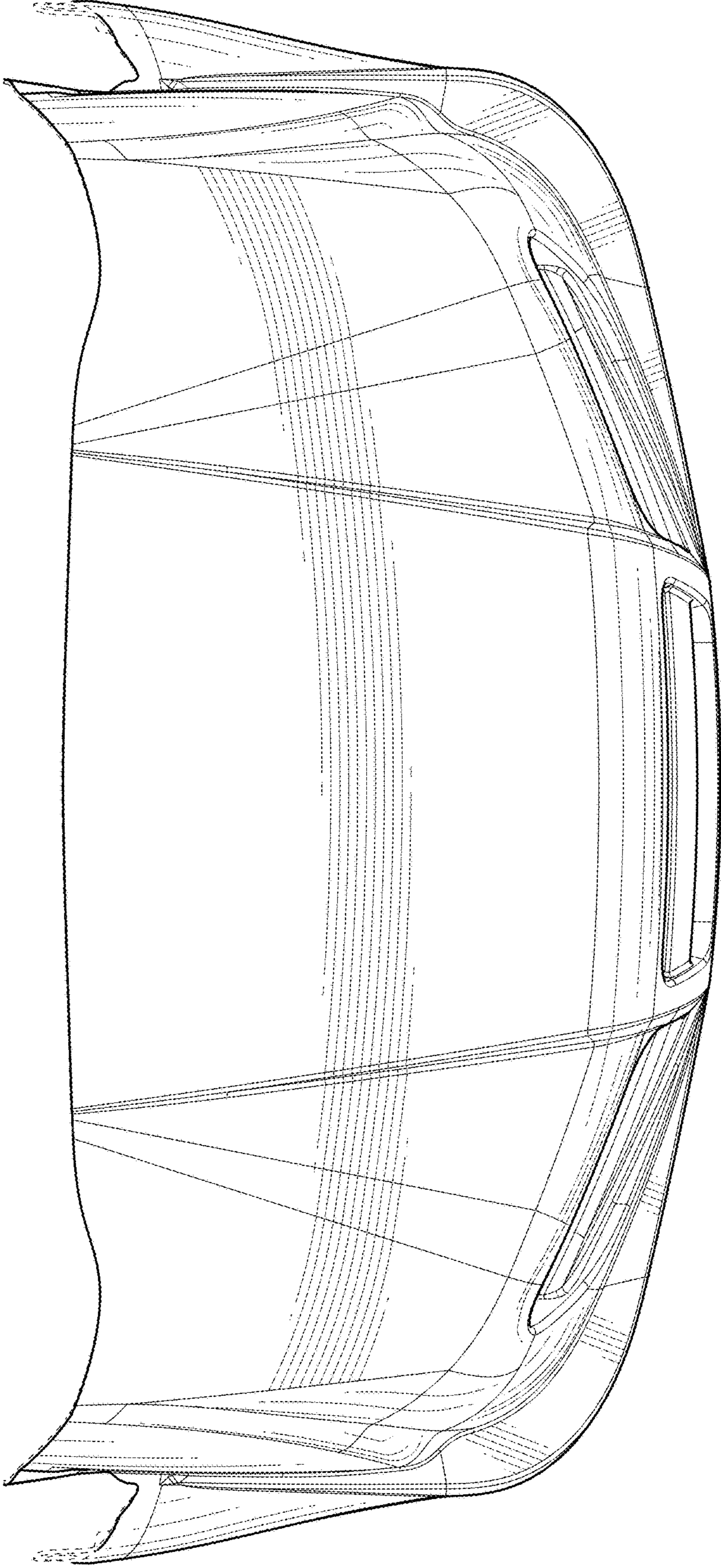


FIG. 7

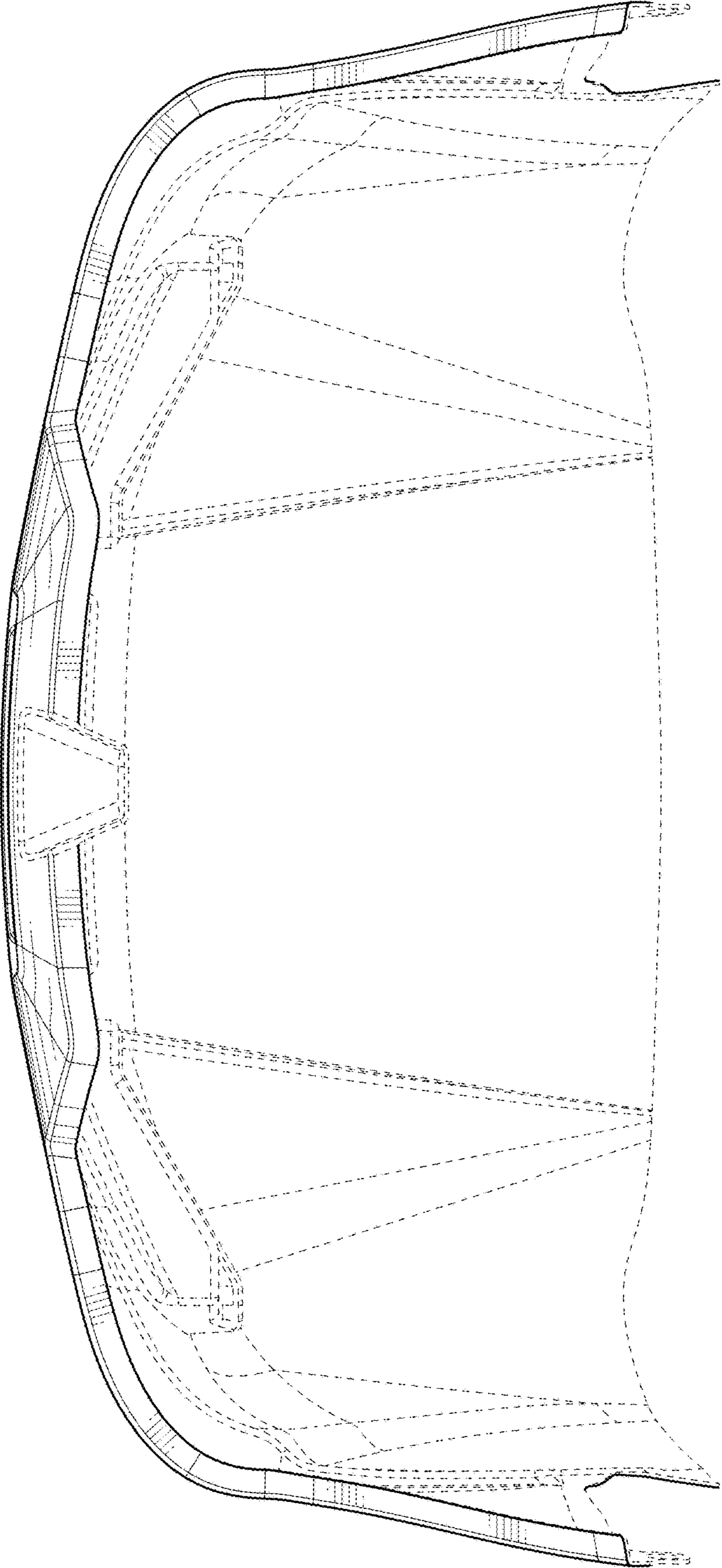


FIG. 8