



US00D810619S

(12) **United States Design Patent**
Hashimoto

(10) **Patent No.:** **US D810,619 S**
(45) **Date of Patent:** **** Feb. 20, 2018**

(54) **UTILITY VEHICLE**

(71) Applicant: **KAWASAKI JUKOGYO**
KABUSHIKI KAISHA, Kobe-shi,
Hyogo (JP)

(72) Inventor: **Naoki Hashimoto**, Kakogawa (JP)

(73) Assignee: **KAWASAKI JUKOGYO**
KABUSHIKI KAISHA (JP)

(**) Term: **15 Years**

(21) Appl. No.: **29/562,729**

(22) Filed: **Apr. 28, 2016**

(51) **LOC (11) Cl.** **12-13**

(52) **U.S. Cl.**
USPC **D12/14**

(58) **Field of Classification Search**
USPC D6/362; D12/1, 14, 16, 82, 86, 87, 88,
D12/92, 96, 107, 112, 113, 164, 173;
D15/10; D21/551, 556, 559; D34/15
CPC B60R 2021/0074; B60R 2021/0083; B60R
2021/0097; B60K 17/356; B62D 25/08;
B62D 33/02; B62D 21/18; B60N 3/08
See application file for complete search history.

(56) **References Cited**

U.S. PATENT DOCUMENTS

D503,657 S *	4/2005	Katoh	D12/14
D504,638 S *	5/2005	Tanaka	D12/14
D511,317 S *	11/2005	Tanaka	D12/1
D521,413 S *	5/2006	Katoh	D12/1
D607,377 S *	1/2010	Shimomura	D12/14
D624,848 S *	10/2010	Shimomura	D12/14
D629,335 S *	12/2010	Shimomura	D12/14
D711,778 S *	8/2014	Chun	D12/14
D755,077 S *	5/2016	Lyons	D12/14
9,440,527 B1 *	9/2016	Maeda	B60K 11/04

9,511,761 B2 *	12/2016	Yagyu	B60W 20/30
2012/0032465 A1 *	2/2012	Morita	B60P 3/423
				296/26.09
2017/0001508 A1 *	1/2017	Bessho	B60K 5/04

OTHER PUBLICATIONS

Kawasaki MULE 610, posted at Youtube.com, posted on Jun. 18, 2013, [online], [site visited Feb. 23, 2017]. Available from Internet, <<https://www.youtube.com/watch?v=qlgfcTonhKI>>.*
2015 Kawasaki Pro-F5XT, posted at Rideapart.com, posted on Jun. 24, 2014, [online], [site visited Feb. 23, 2017]. Available from Internet, <<https://rideapart.com/articles/kawasakis-new-mule-pro-f5xt>>.*

(Continued)

Primary Examiner — Mary Ann Calabrese
Assistant Examiner — Catherine Ho

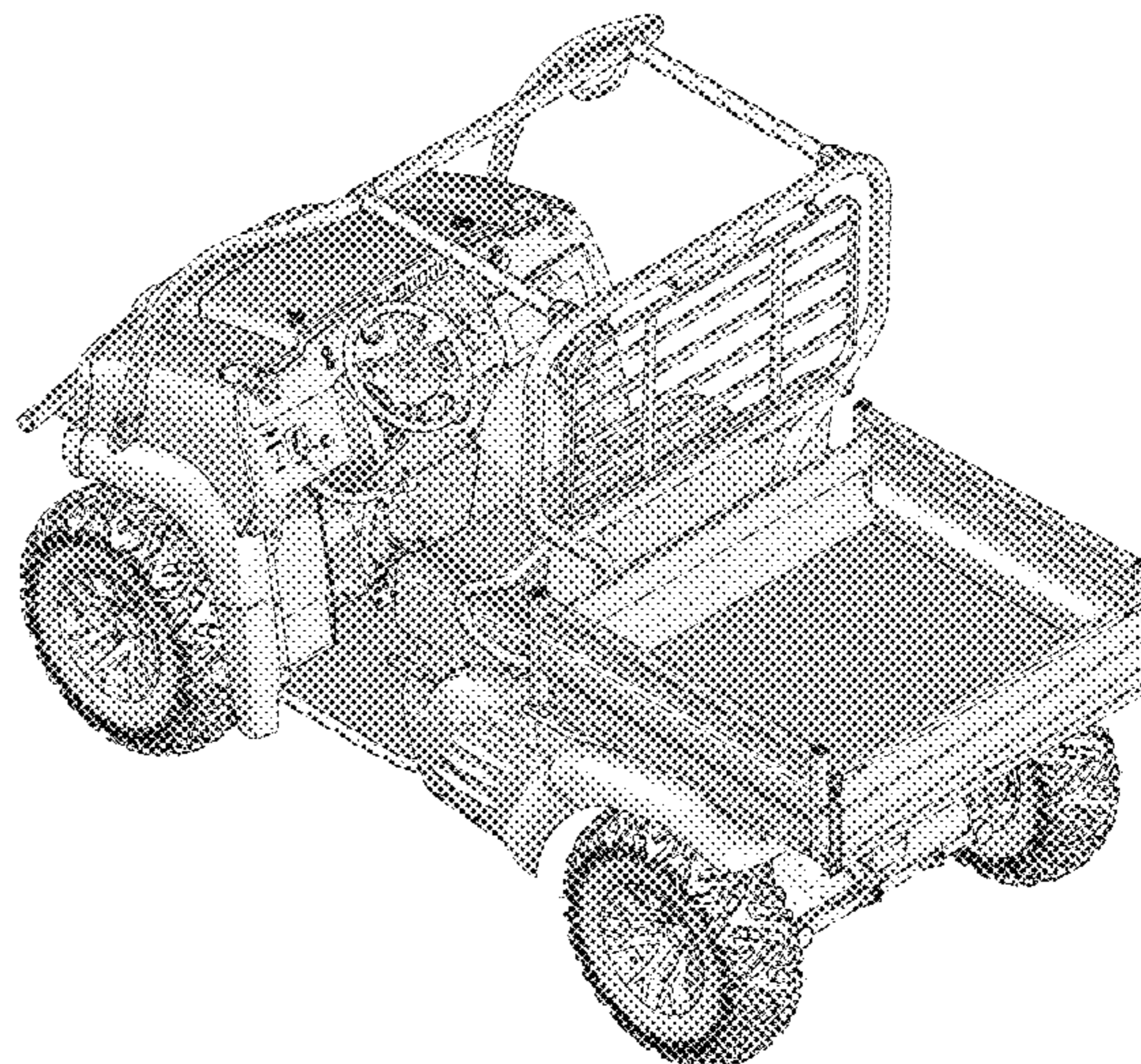
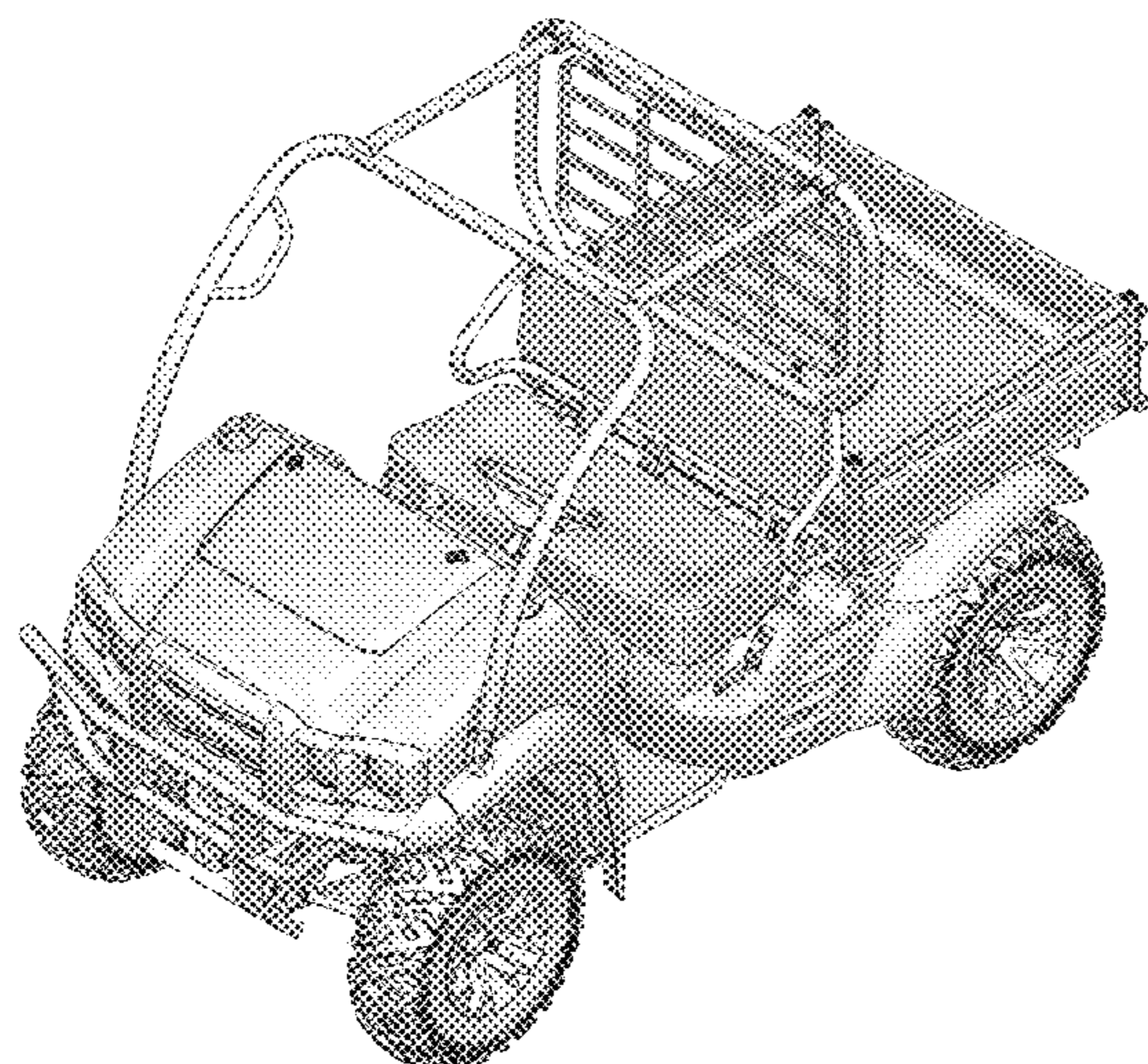
(57) **CLAIM**

The ornamental design for an utility vehicle, as shown and described.

DESCRIPTION

FIG. 1 is a front elevational view of an utility vehicle showing my new design;
FIG. 2 is a rear elevational view thereof;
FIG. 3 is a left side elevational view thereof;
FIG. 4 is a right side elevational view thereof;
FIG. 5 is a top plan view thereof;
FIG. 6 is a front and right-side isometric view thereof; and,
FIG. 7 is a rear and right-side isometric view thereof.
The dark and light grayed surfaces do not represent a color nor a pattern but are intended to represent shading on the surface of the drawings. The features on the Drawings formed in the white overlay wash form no part of the claimed design.

1 Claim, 7 Drawing Sheets



(56)

References Cited

OTHER PUBLICATIONS

2015 Kawasaki Mule PRO-FXT Review, posted at Fourwheeler.com, posted on Sep. 18, 2014, [online], [site visited Feb. 23, 2017]. Available from Internet, <<http://www.fourwheeler.com/vehicle-reviews/1411-2015-kawasaki-mule-pro-fxt-review/>>.*

\$14,199: 2016 Kawasaki Mule Pro FX EPS, posted at Youtube.com, posted on Jul. 23, 2015, [online], [site visited Feb. 23, 2017]. Available from Internet, <https://www.youtube.com/watch?v=9_6tq4D6R84>.*

* cited by examiner

Fig. 1

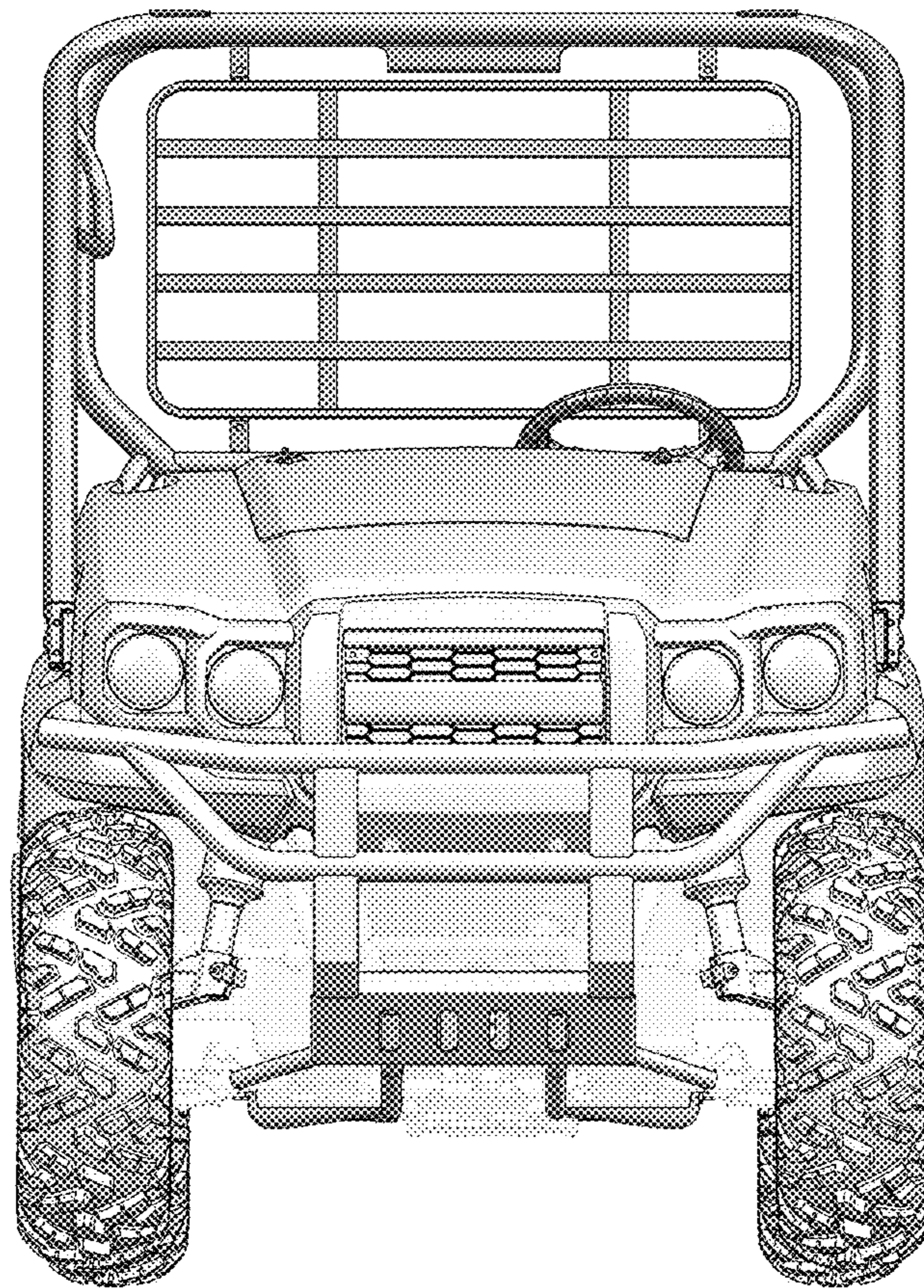
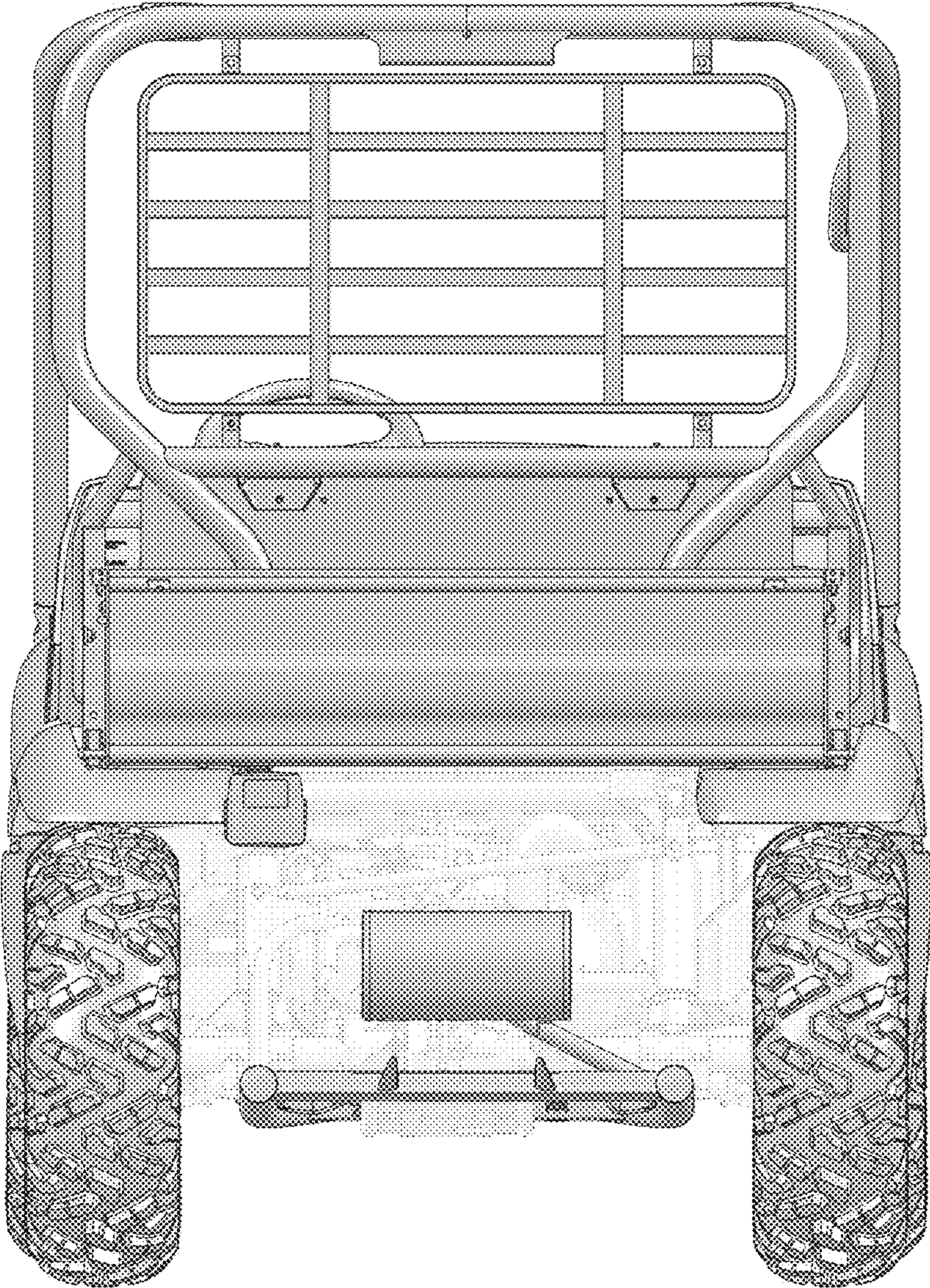


Fig. 2



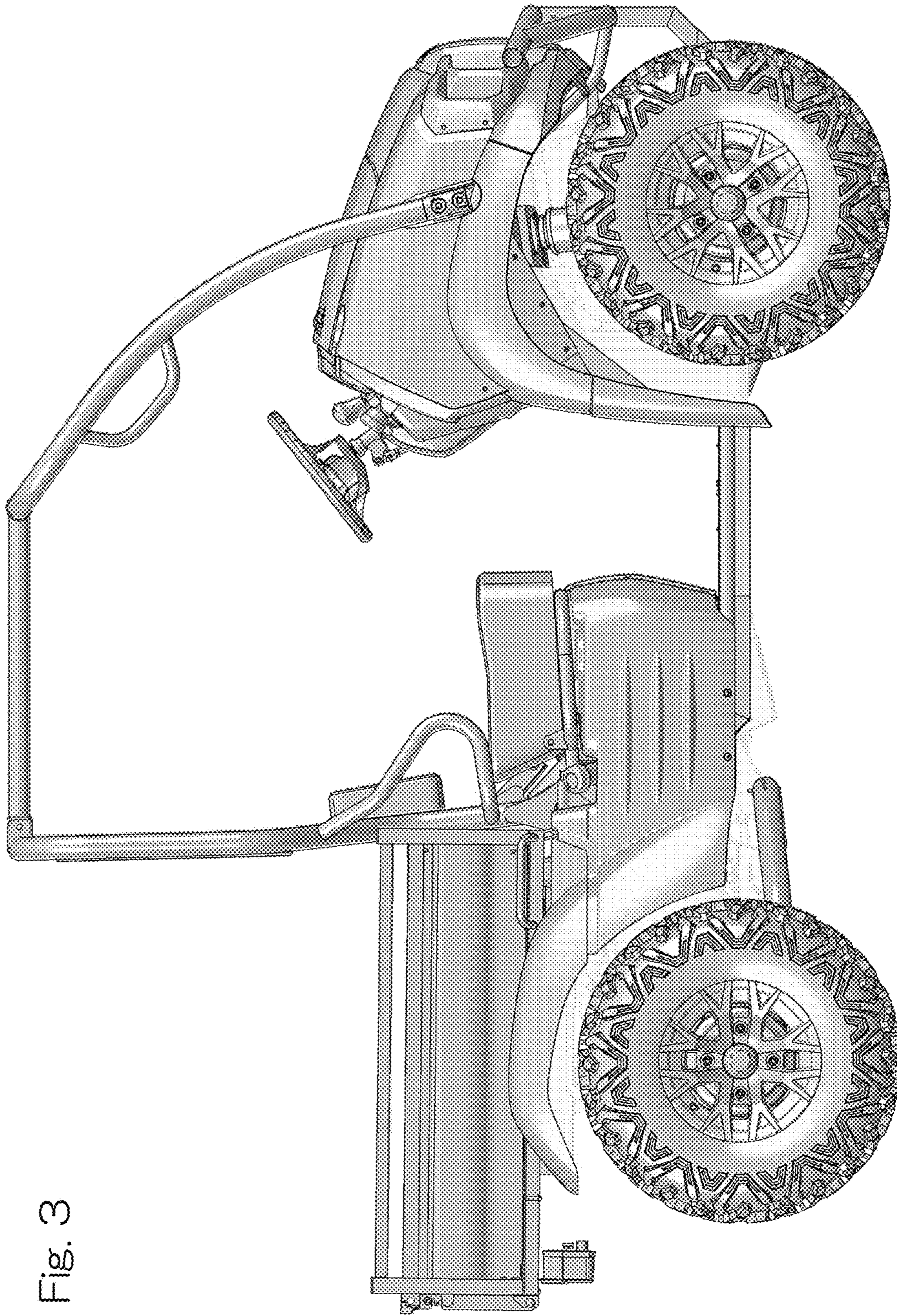


Fig. 3

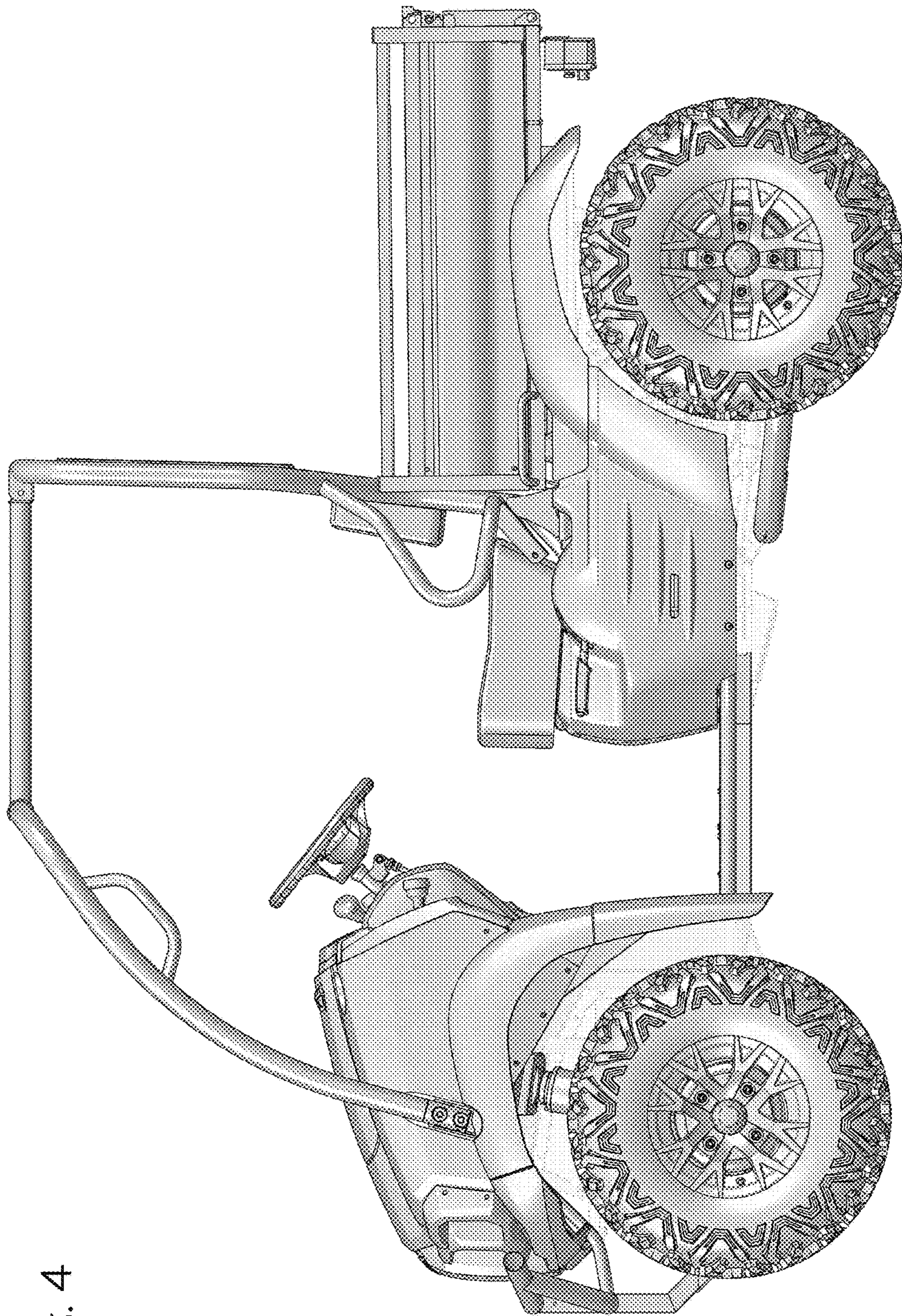
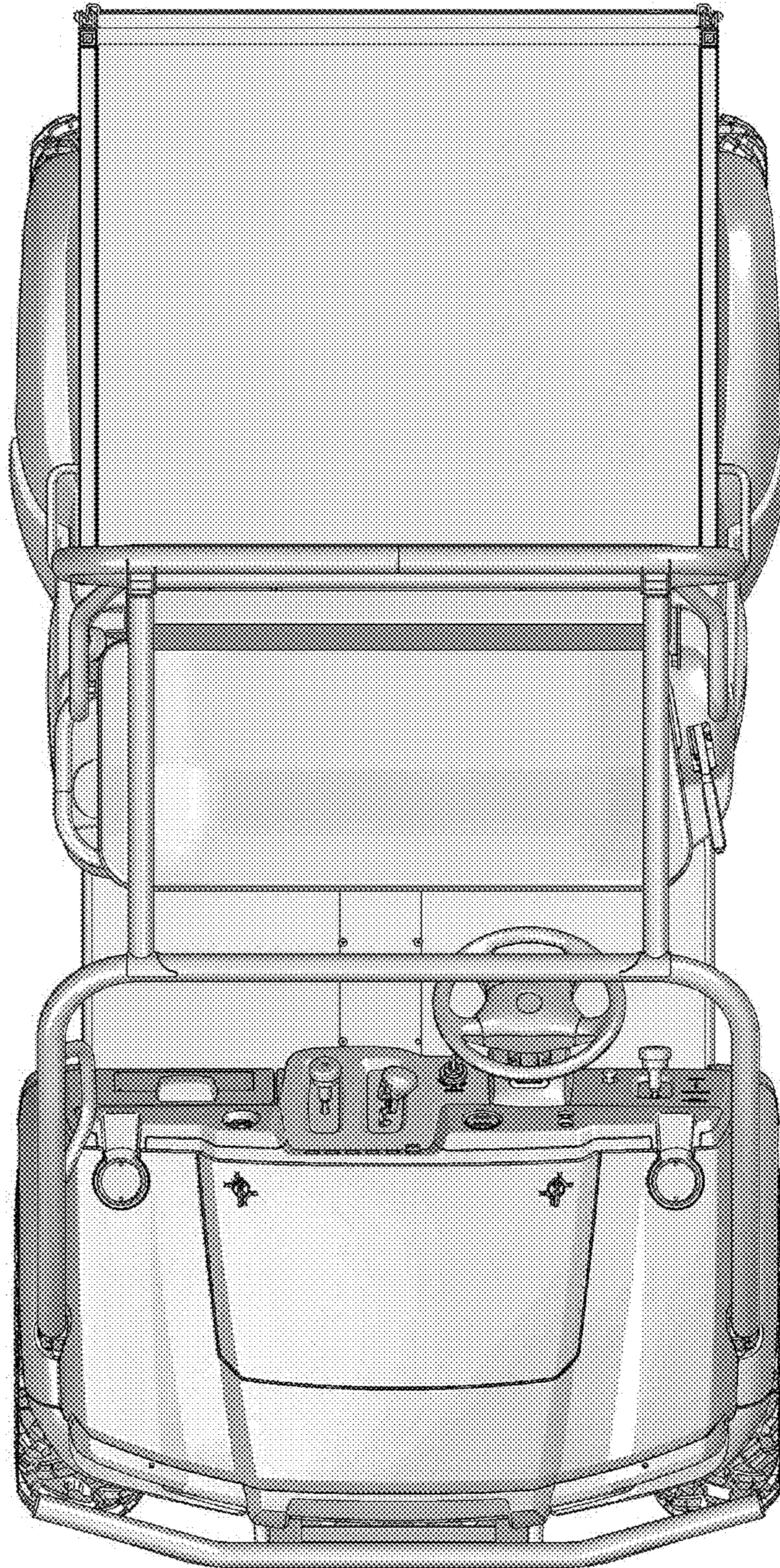


Fig. 4

Fig. 5



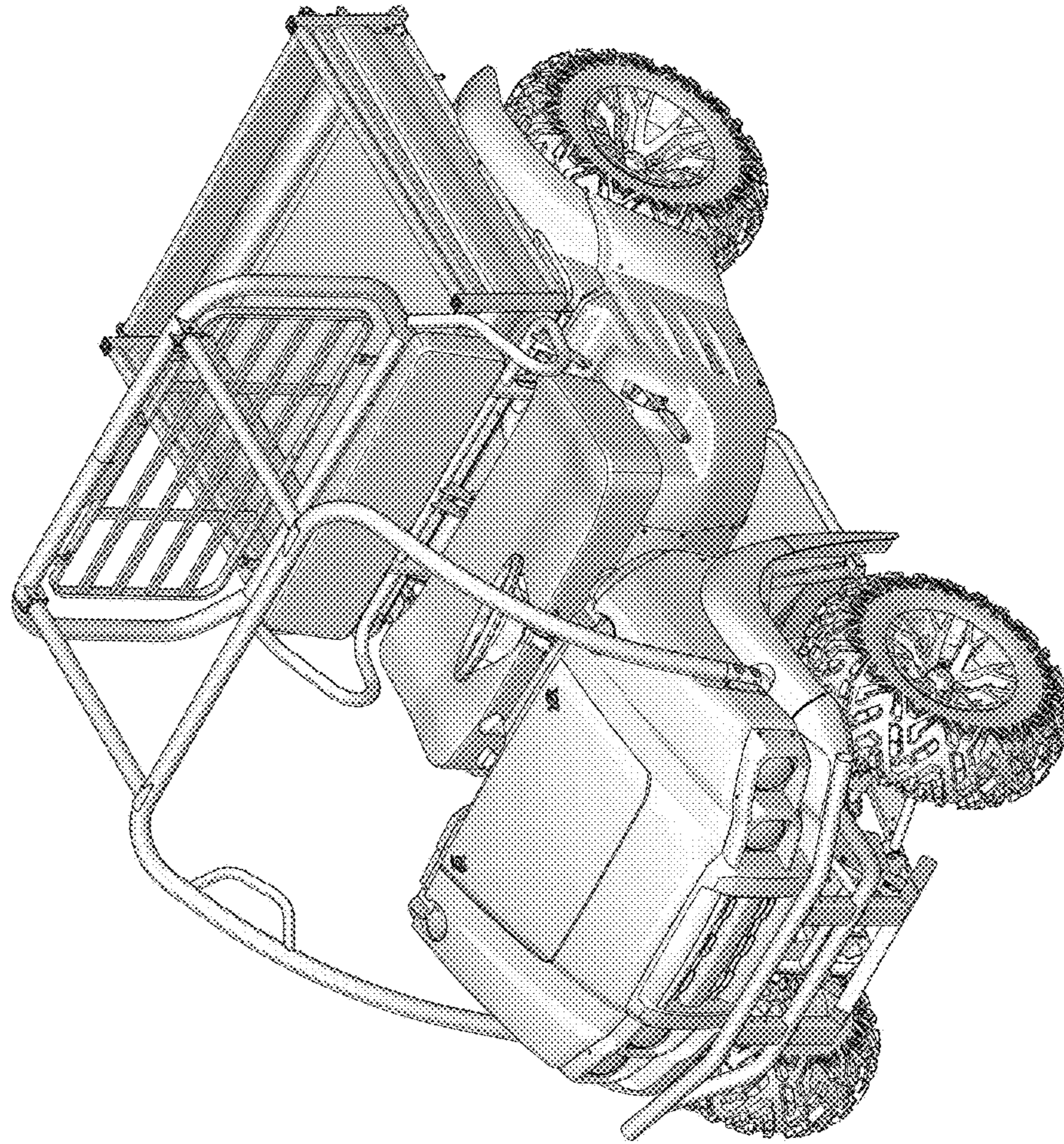


Fig. 6

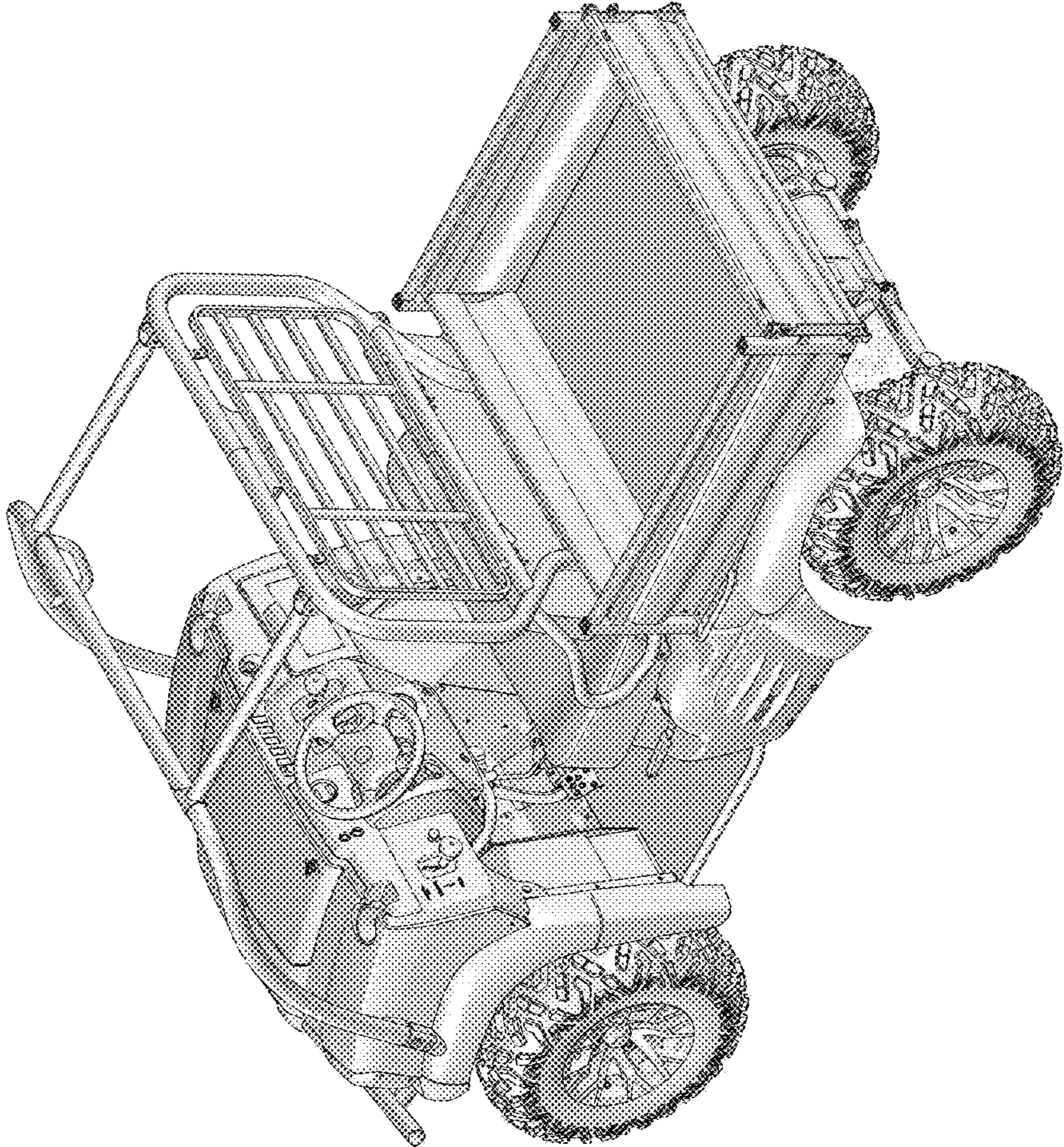


Fig. 7