



US00D810617S

(12) **United States Design Patent** (10) **Patent No.:** **US D810,617 S**  
**Duru et al.** (45) **Date of Patent:** **\*\* \*Feb. 20, 2018**

(54) **AIRBORNE ROTORCRAFT HOVERBOARD** 3,184,183 A \* 5/1965 Plasecki ..... B64C 27/20  
244/23 R

(71) Applicant: **OMNI HOVERBOARDS INC.,** D496,606 S \* 9/2004 Sanders, Jr. .... D12/5  
Montréal (CA) D562,731 S \* 2/2008 Oswald ..... D12/5  
8,496,200 B2 \* 7/2013 Yoeli ..... B64C 29/0025  
244/17.25

(72) Inventors: **Catalin Alexandru Duru, Brossard** D737,723 S \* 9/2015 Ying ..... D12/1  
(CA); **Philippe Maalouf,** D738,256 S \* 9/2015 Ying ..... D12/1  
Dollards-des-Ormeaux (CA) 9,148,077 B2 \* 9/2015 Henderson ..... H02N 15/00  
9,263,974 B1 \* 2/2016 Henderson ..... H02N 15/00  
9,352,665 B2 \* 5/2016 Melvin ..... B60L 13/04  
2007/0034738 A1 \* 2/2007 Sanders ..... B64C 27/12  
244/23 A

(73) Assignee: **OMNI HOVERBOARDS INC.,** 2010/0051740 A1 \* 3/2010 Yoeli ..... B64C 29/0033  
Montreal (CA) 244/12.1

(\*) Notice: This patent is subject to a terminal dis- 2014/0265690 A1 \* 9/2014 Henderson ..... H02N 15/00  
claimer. 310/90.5

(\*\*) Term: **15 Years** 2015/0175031 A1 \* 6/2015 Henderson ..... B60L 13/04  
180/65.8

(21) Appl. No.: **29/554,447**

(22) Filed: **Feb. 11, 2016**

(51) **LOC (11) Cl.** ..... **12-14**

(52) **U.S. Cl.**  
USPC ..... **D12/1; D12/5**

(58) **Field of Classification Search**  
USPC .... D12/1, 16.1, 326, 324, 325, 327, 328, 5;  
D21/419, 421, 423, 426, 662, 760, 765,  
D21/766, 769, 771, 776, 803, 441, 443,  
D21/436; 701/124; 280/87.042, 87.021,  
280/87.041, 5.23, 5.39, 205, 209, 229,  
280/266, 282, 851; 180/181, 5.26, 6.5,  
180/7.1, 8.2, 65.8, 907, 218, 65, 13  
CPC .... B62K 3/007; B62K 17/00; B62K 2202/00;  
B62D 51/001; B62D 51/02; B62D 61/00;  
A63C 17/0033; A63C 17/01; A63C  
17/016; A63C 2203/40; A63C 17/12  
See application file for complete search history.

(56) **References Cited**  
U.S. PATENT DOCUMENTS  
D187,625 S \* 4/1960 Apostoloscu ..... D12/330  
2,955,780 A \* 10/1960 Hulbert ..... B64C 27/20  
104/23.2

\* cited by examiner

*Primary Examiner* — T. Chase Nelson  
*Assistant Examiner* — Ania Aman  
(74) *Attorney, Agent, or Firm* — Marshall, Gerstein &  
Borun LLP

(57) **CLAIM**  
The ornamental design for an airborne rotorcraft hover-  
board, as shown and described.

**DESCRIPTION**  
FIG. 1 is a perspective view of an airborne rotorcraft  
hoverboard showing the new design;  
FIG. 2 is a front view thereof;  
FIG. 3 is a rear view thereof;  
FIG. 4 is a right side view thereof;  
FIG. 5 is a left side view thereof;  
FIG. 6 is a top view thereof; and,  
FIG. 7 is a bottom view thereof.

**1 Claim, 7 Drawing Sheets**

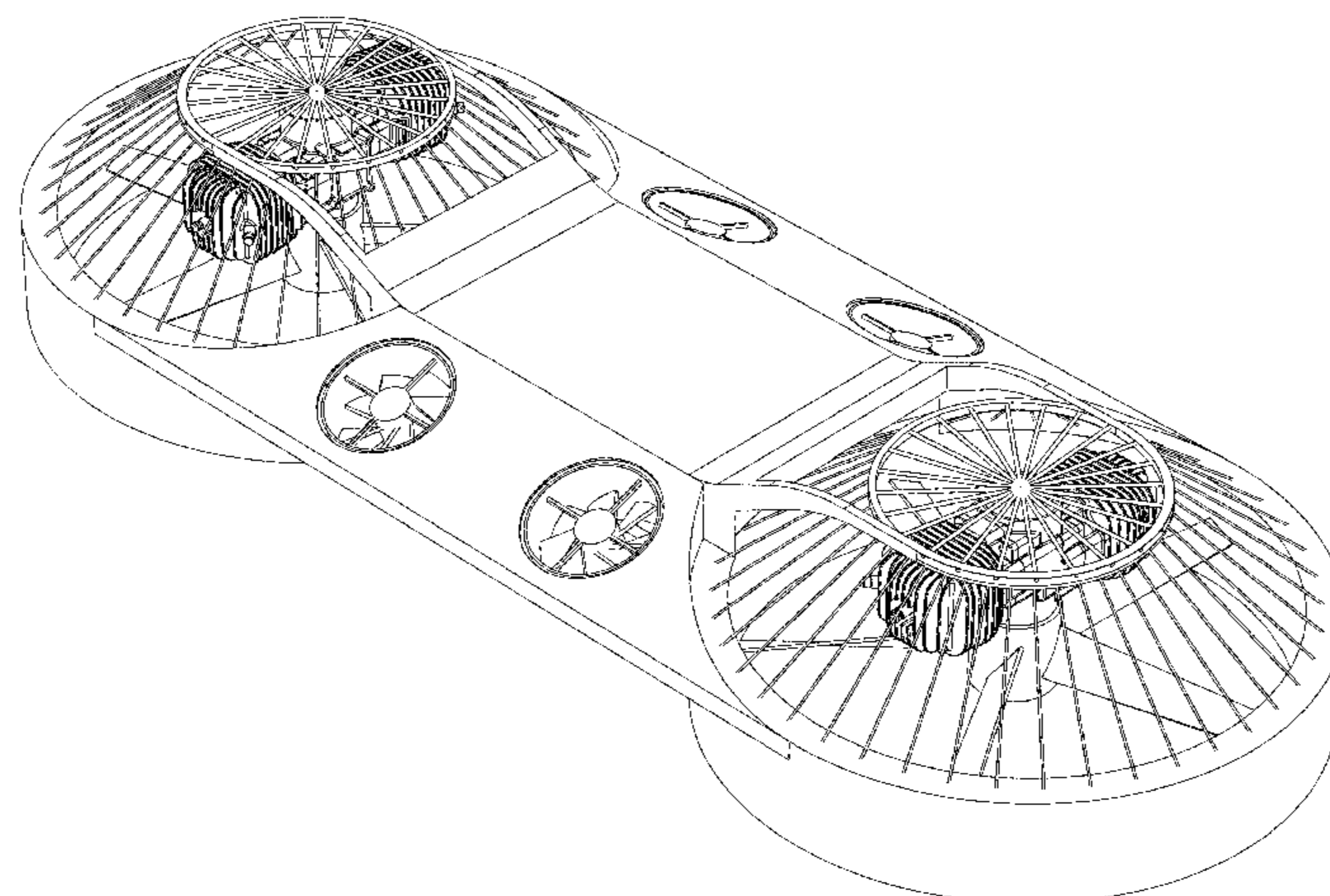


FIG. 1

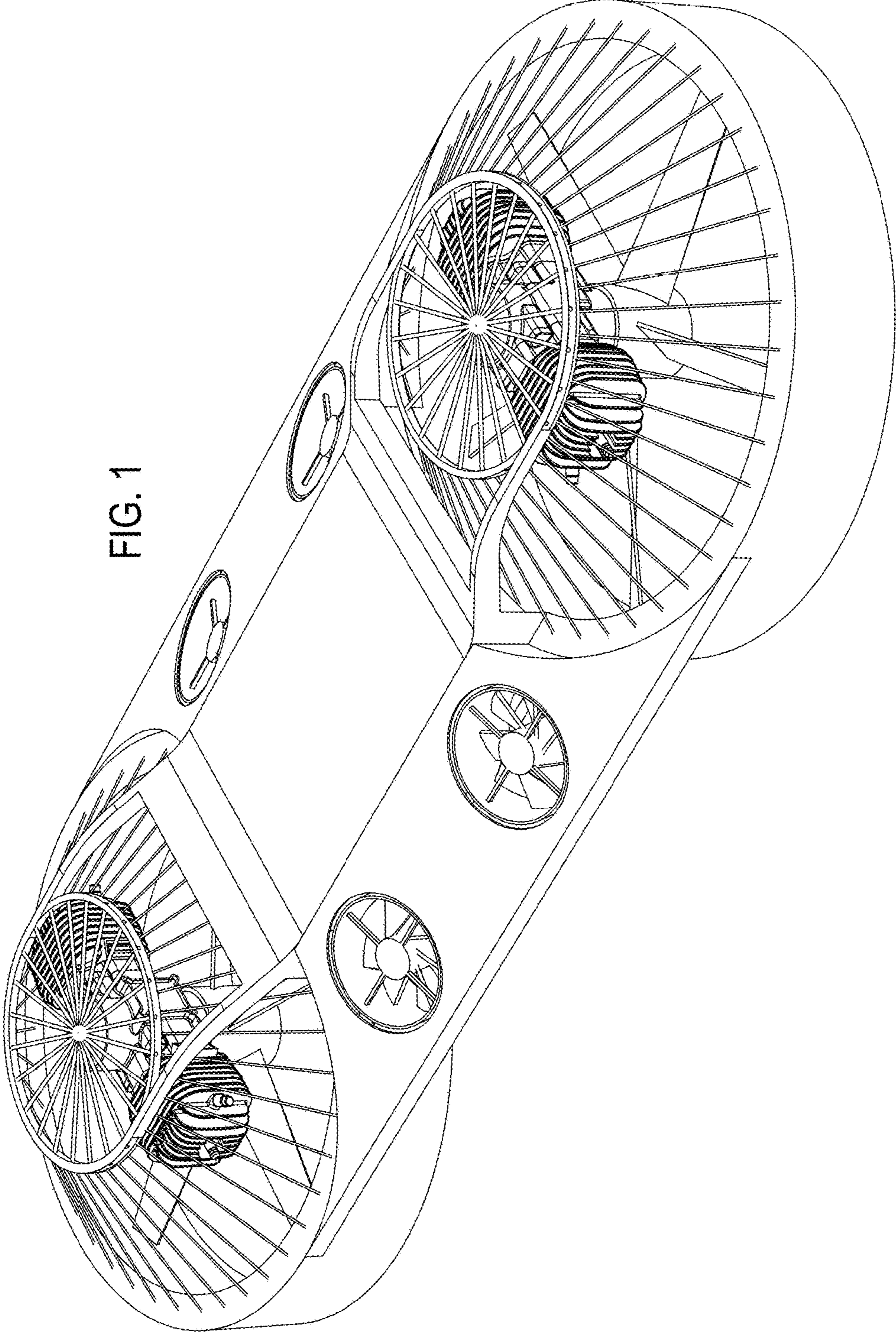




FIG. 2

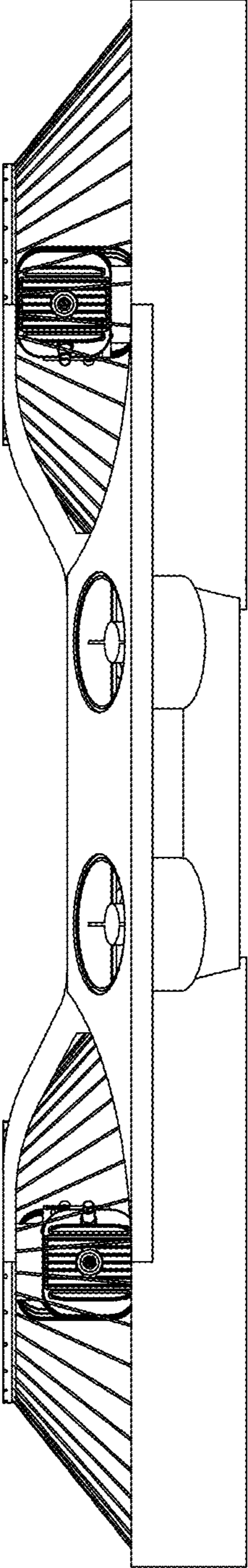


FIG. 3

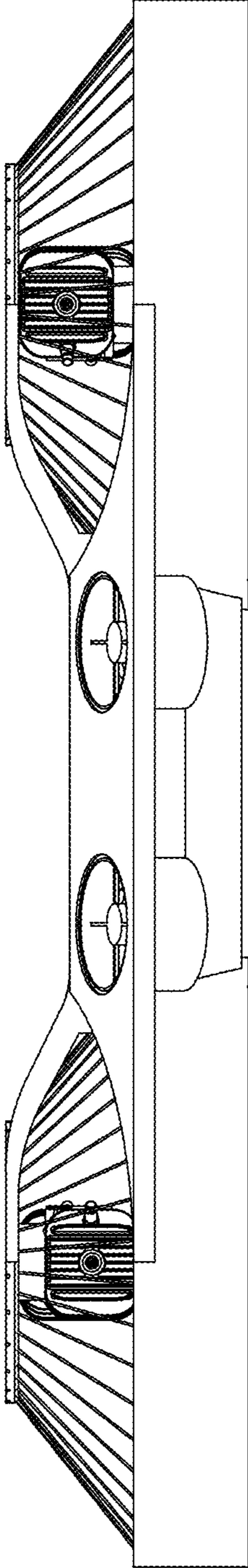


FIG. 4

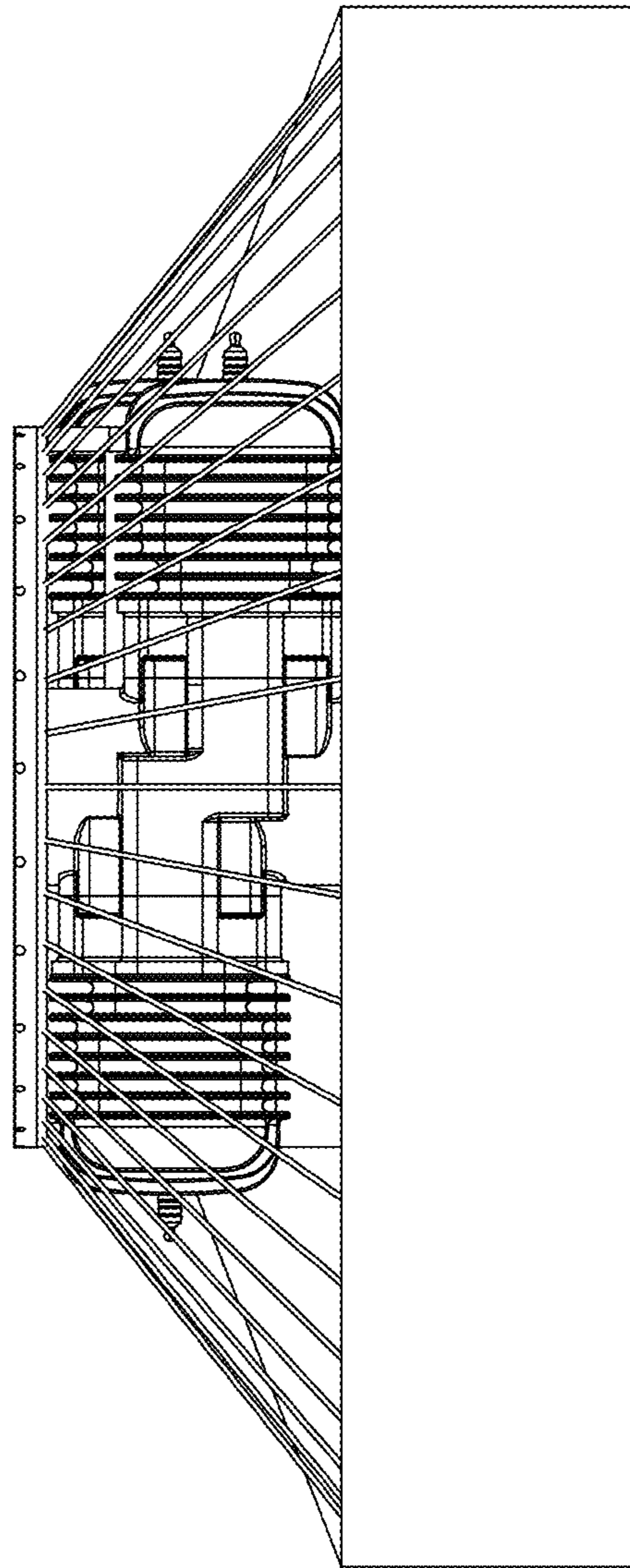


FIG. 5

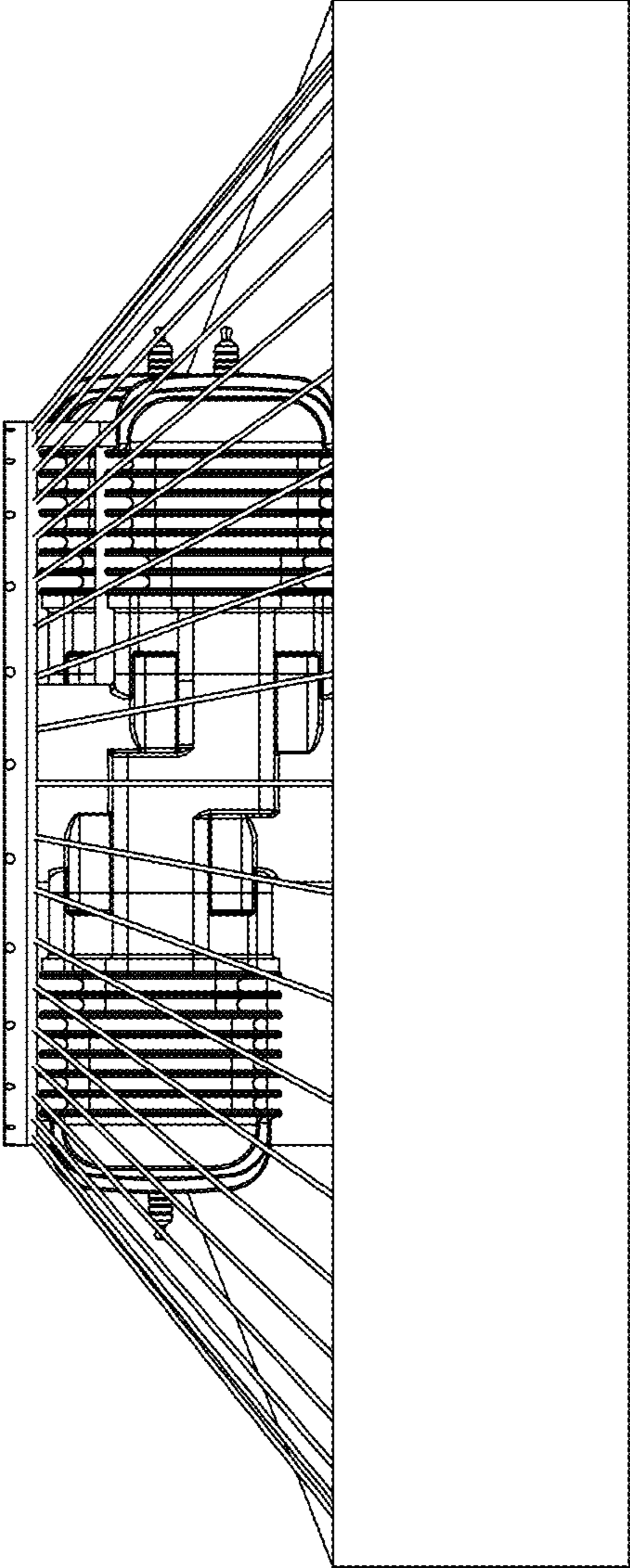


FIG. 6

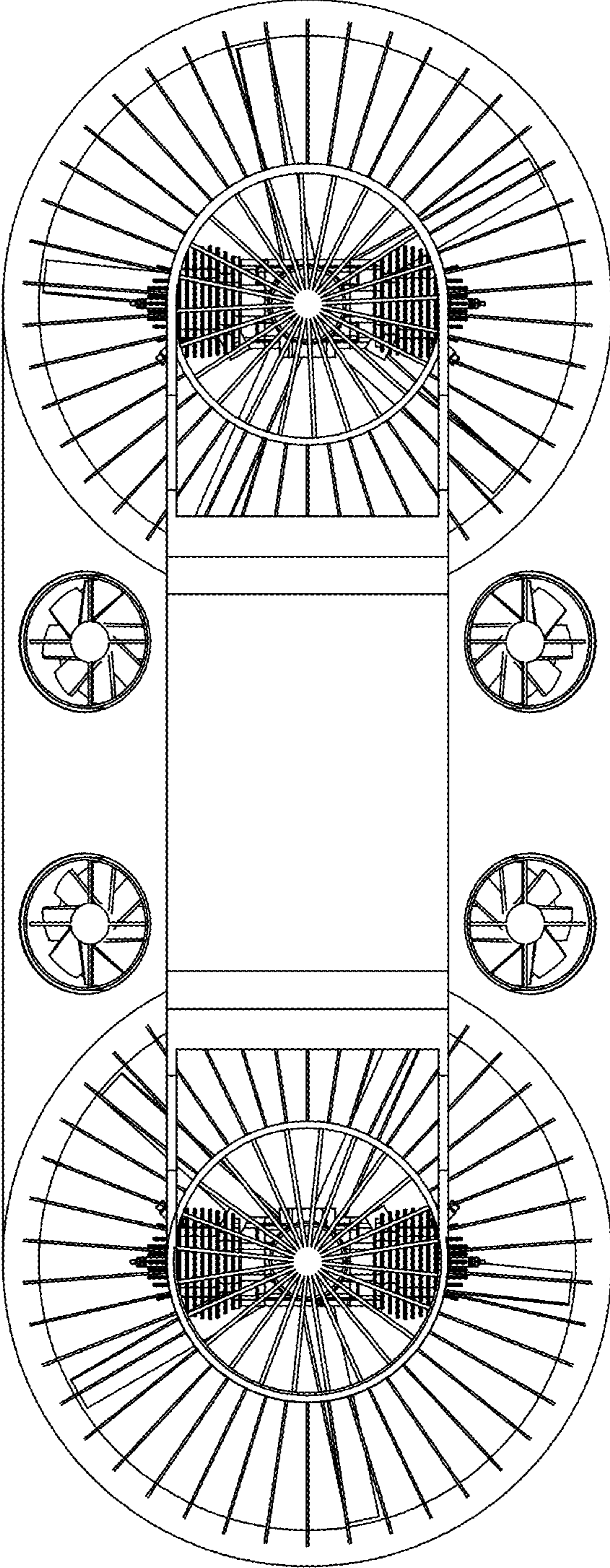




FIG. 7

