



US00D810616S

(12) **United States Design Patent** (10) **Patent No.:** **US D810,616 S**
Moore (45) **Date of Patent:** **** Feb. 20, 2018**

(54) **TROPHY DISPLAY**
(71) Applicant: **Steven Moore**, St. Louis, MO (US)
(72) Inventor: **Steven Moore**, St. Louis, MO (US)
(73) Assignee: **Steven Moore**, St. Louis, MO (US)
(**) Term: **15 Years**

D602,092 S * 10/2009 Tomnessen D20/42
D677,561 S * 3/2013 Sherman D8/387
D698,279 S 1/2014 Anastasiadis
8,746,917 B2 * 6/2014 Zimmerman A45D 42/00
219/220
D721,510 S 1/2015 Hagerty
D724,422 S * 3/2015 Kopco D8/382
D737,059 S * 8/2015 Tsai D6/300
D779,836 S * 2/2017 Bailey D6/309
D780,037 S * 2/2017 Magallanes-Leal D11/43

* cited by examiner

(21) Appl. No.: **29/535,277**
(22) Filed: **Aug. 5, 2015**
(51) **LOC (11) Cl.** **11-02**
(52) **U.S. Cl.**
USPC **D11/164; D11/131; D11/184**
(58) **Field of Classification Search**
USPC D11/131-133, 157, 164, 184, 43, 79-81,
D11/86-88; D6/300, 309, 310, 329,
D6/672-674, 512, 406.2; D8/16, 18-20,
D8/105, 356, 363, 366, 370-377,
D8/380-382, 401
See application file for complete search history.

Primary Examiner — Cathron C Brooks
Assistant Examiner — W. A. Teddy Falloway
(74) *Attorney, Agent, or Firm* — Stinson Leonard Street
LLP

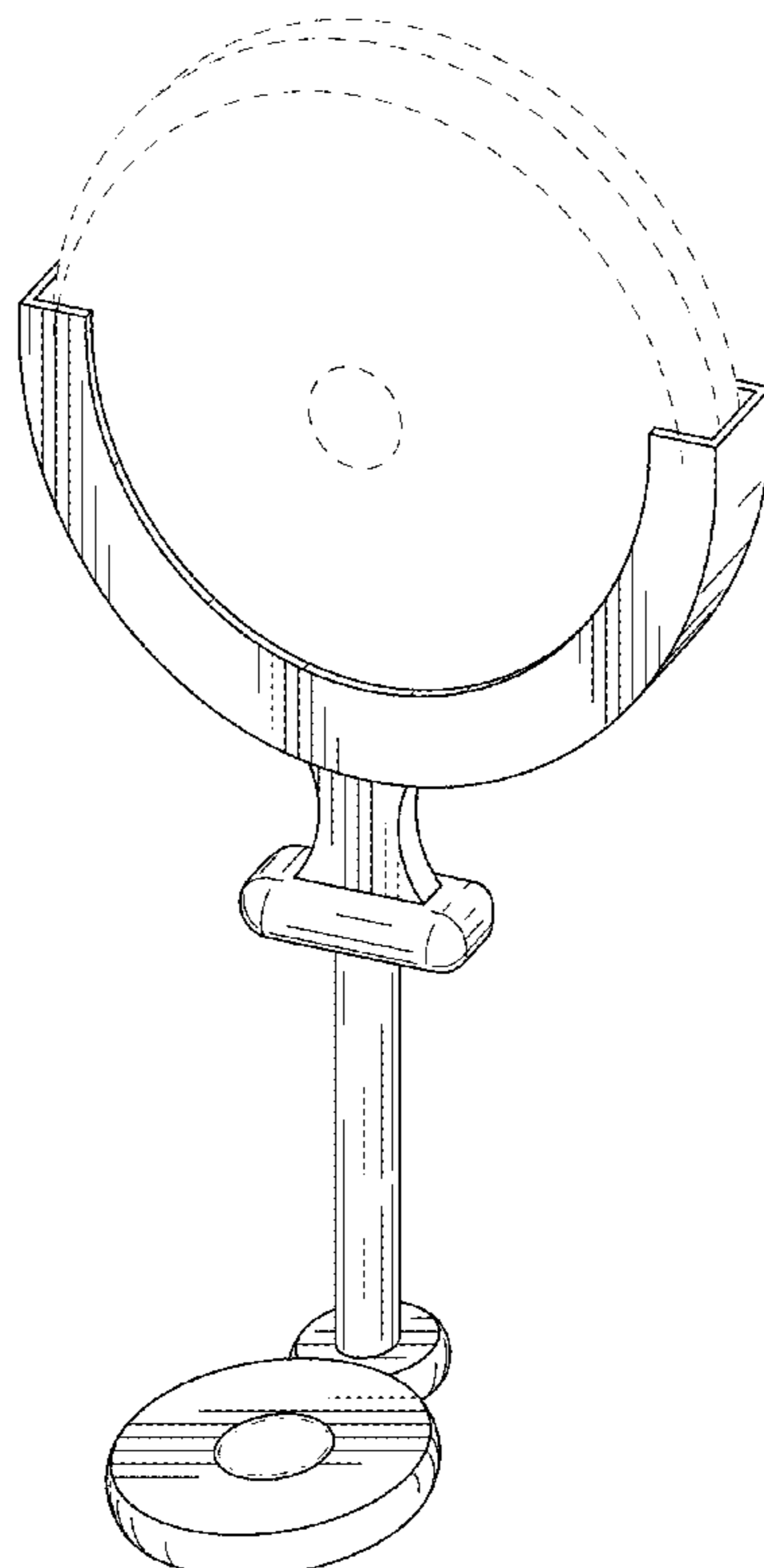
(57) **CLAIM**
The ornamental design for a trophy display, as shown and described.

DESCRIPTION

FIG. 1 is a perspective view of a trophy display.
FIG. 2 is a front elevation view thereof.
FIG. 3 is a rear elevation view thereof.
FIG. 4 is a right side elevation view thereof.
FIG. 5 is a left side elevation view thereof.
FIG. 6 is a top plan view thereof; and,
FIG. 7 is a bottom plan view thereof.
The dash-dash broken lines shown in the drawings illustrate environmental structure. The dash-dot broken lines shown in FIGS. 1 and 6 illustrate the bounds of the claim. The broken lines form no part of the claimed design.

(56) **References Cited**
U.S. PATENT DOCUMENTS
D40,873 S * 9/1910 Bigney D11/1
D51,556 S * 12/1917 Hawthorne D6/309
D290,447 S * 6/1987 Evans D11/131
D337,741 S * 7/1993 Garfalo D11/40
D410,214 S * 5/1999 Nielsen D11/131
D413,543 S * 9/1999 Behr D11/79
D474,129 S * 5/2003 Penaluna D11/164
D509,369 S * 9/2005 Snell D6/310

1 Claim, 5 Drawing Sheets



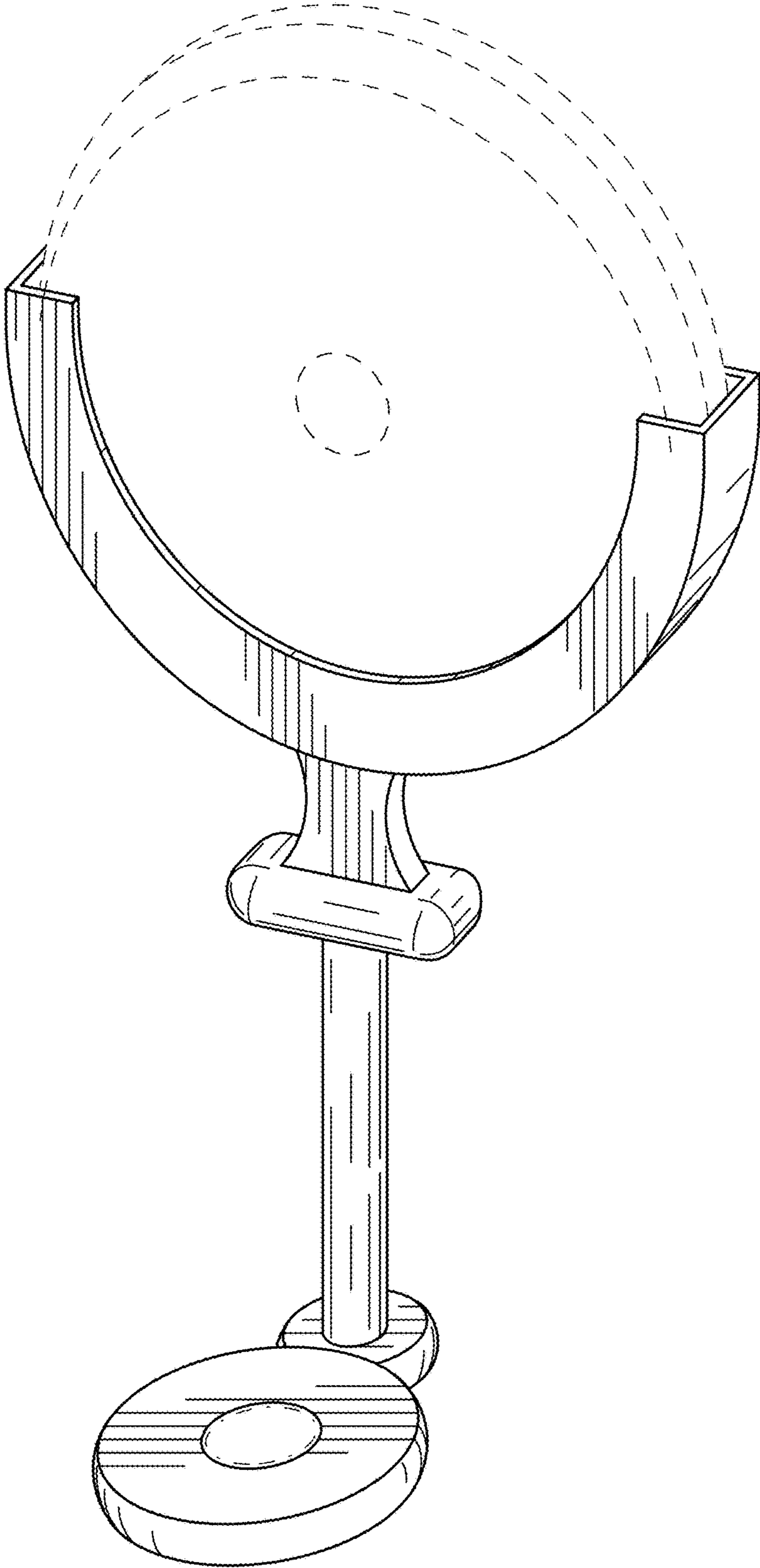


FIG. 1

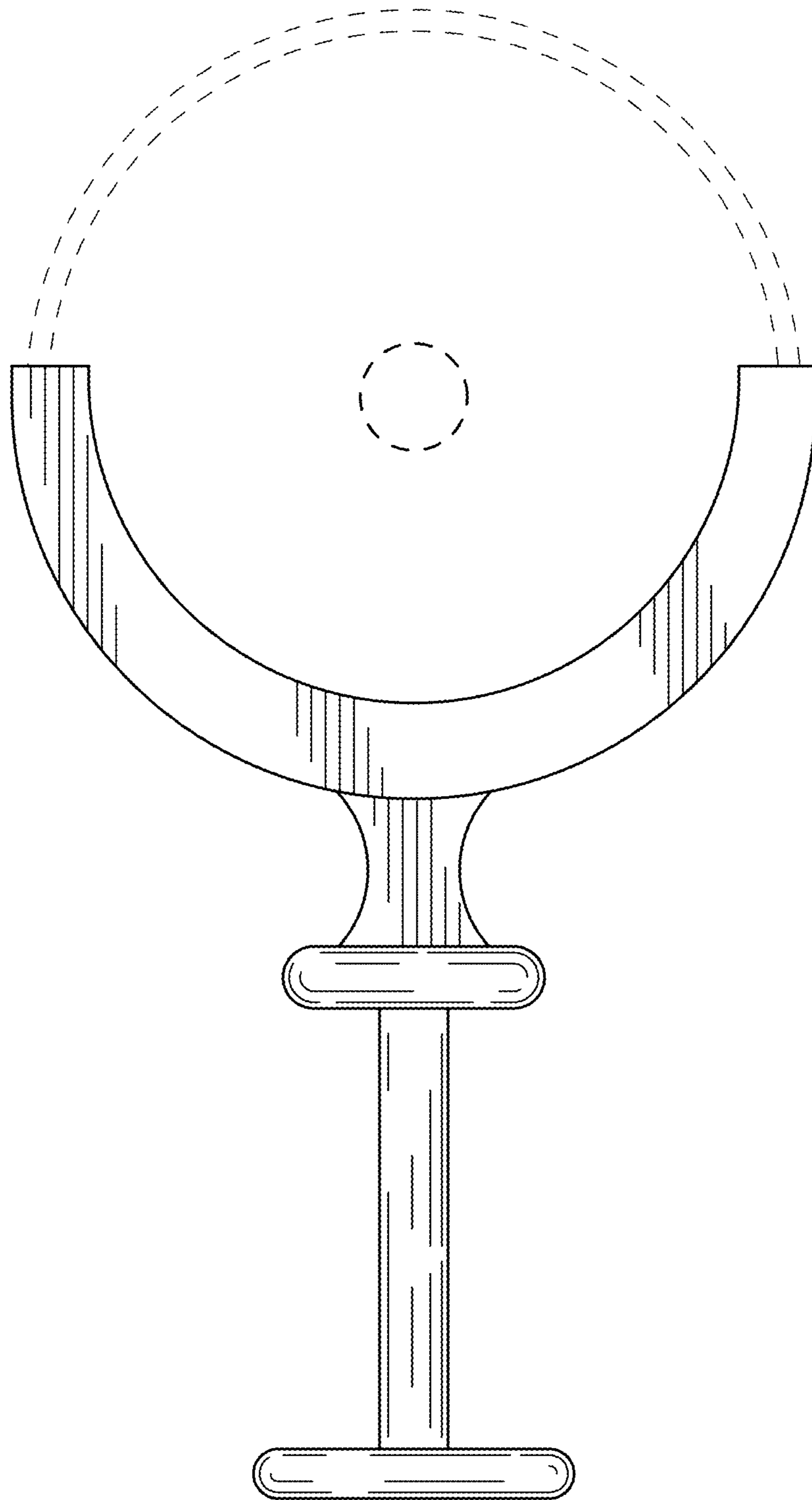


FIG. 2

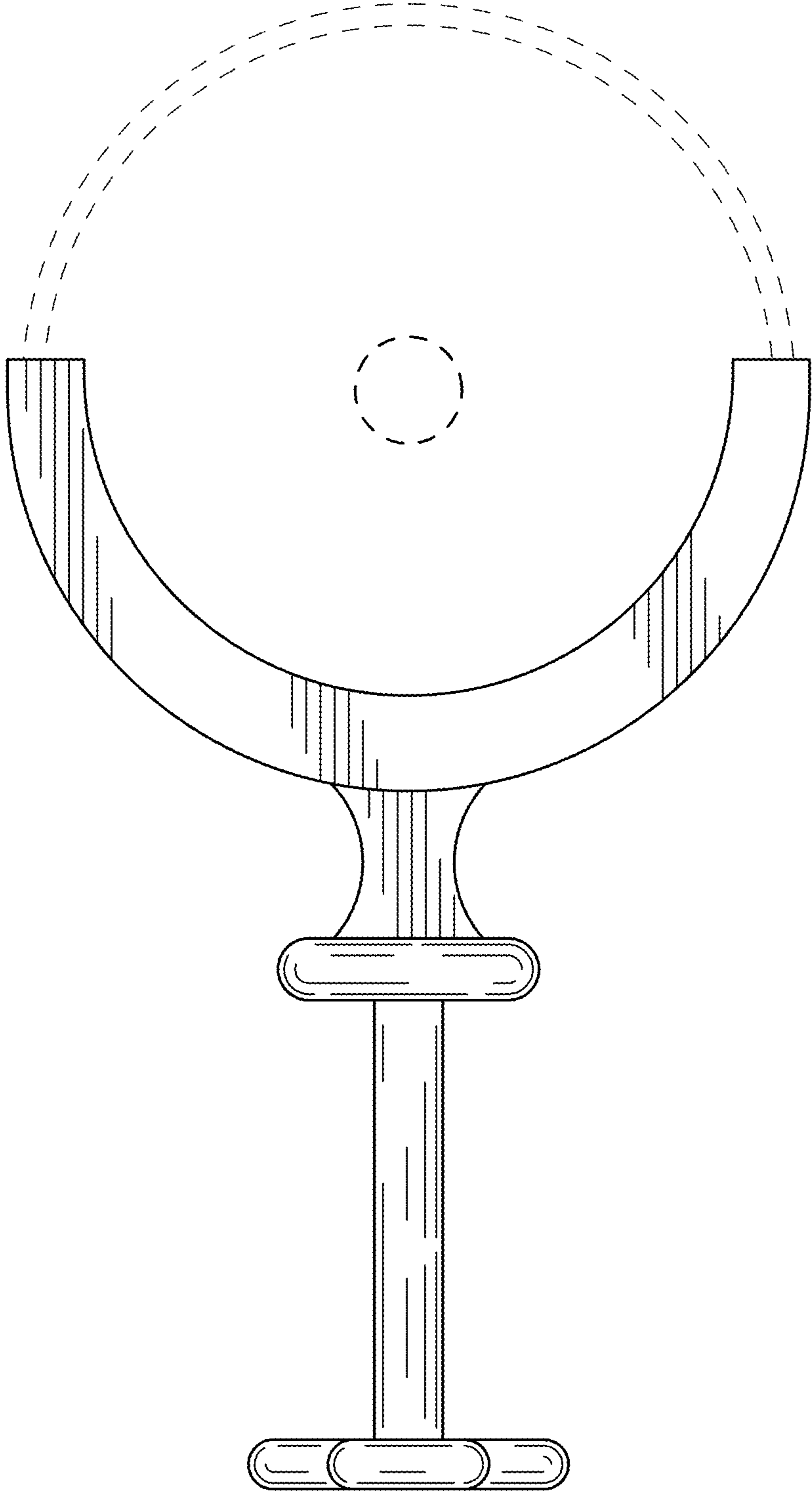


FIG. 3

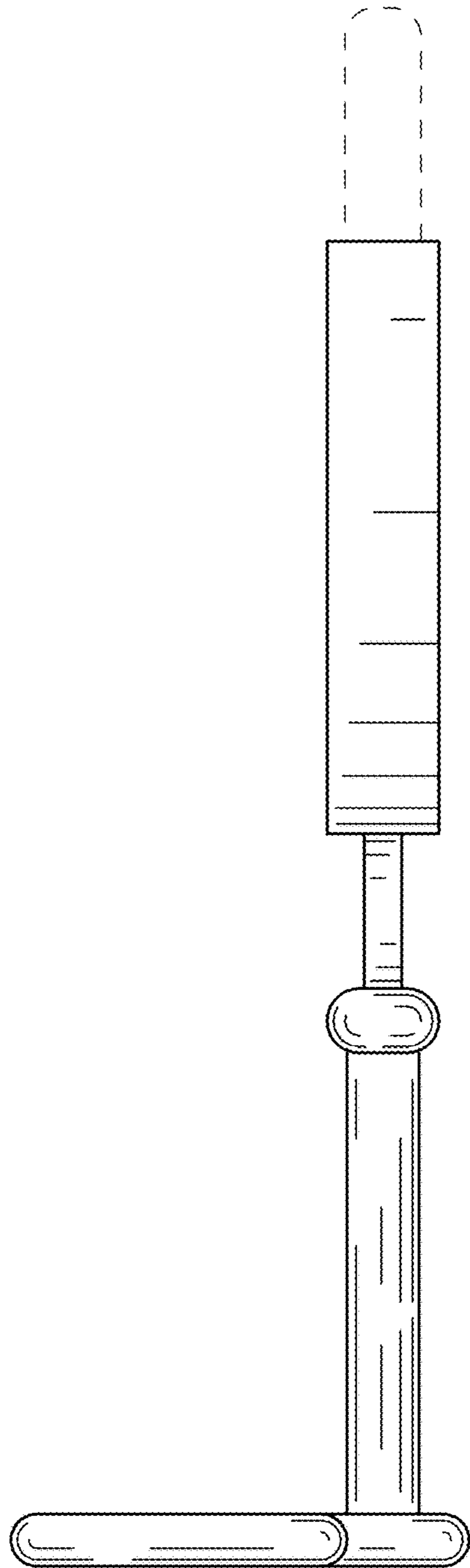


FIG. 4

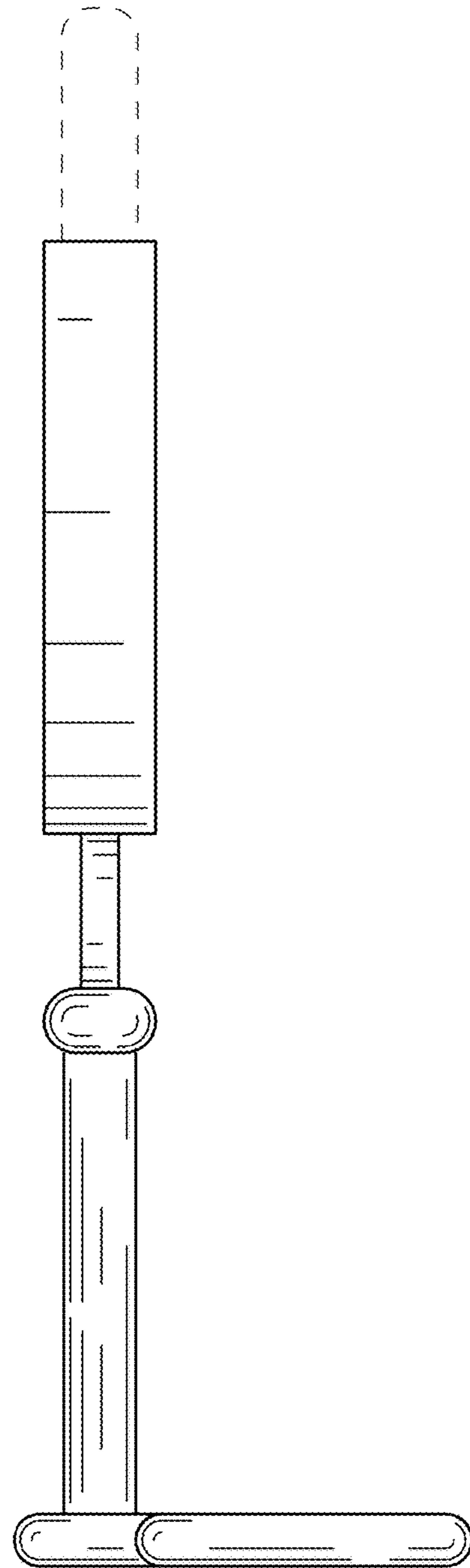


FIG. 5

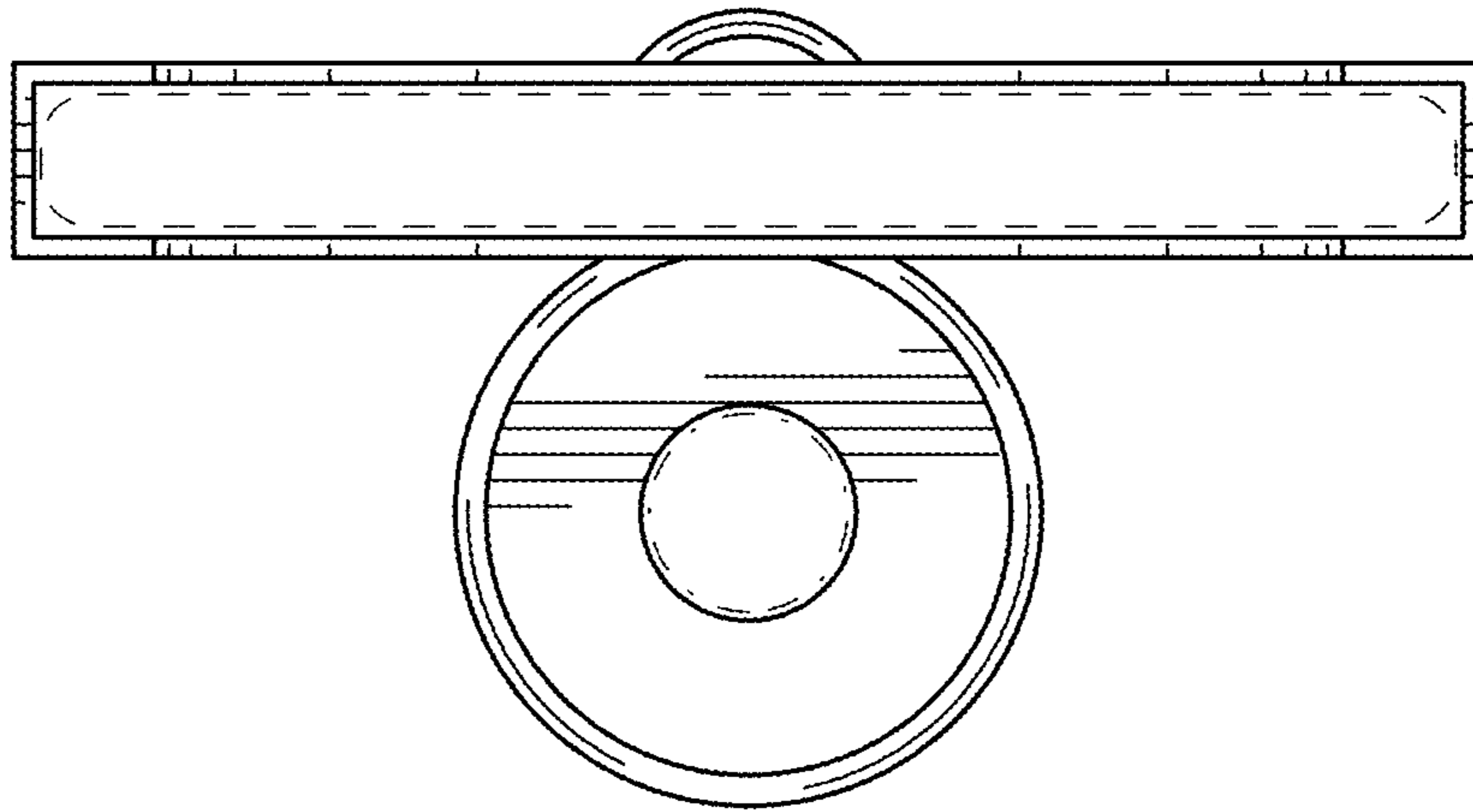


FIG. 6

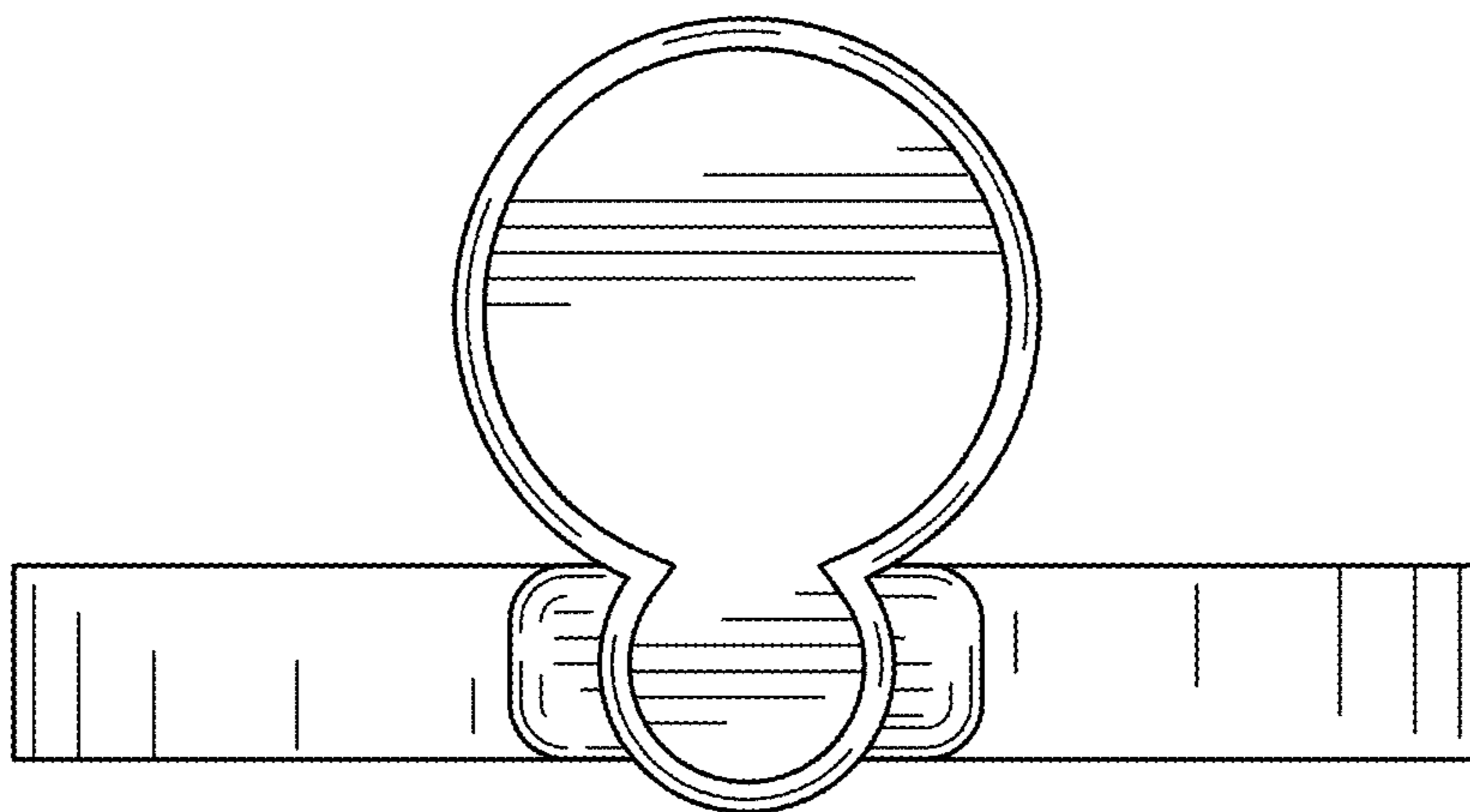


FIG. 7