



US00D810613S

(12) **United States Design Patent**  
**Mehta**

(10) **Patent No.:** **US D810,613 S**

(45) **Date of Patent:** **\*\* Feb. 20, 2018**

(54) **MULTIPLE FACET GEMSTONE**

(71) Applicant: **Rosy Blue (India) Pvt. Ltd.**, Mumbai (IN)

(72) Inventor: **Russell Arunkumar Mehta**, Mumbai (IN)

(73) Assignee: **ROSY BLUE (INDIA) PVT. LTD.**, Mumbai (IN)

(\*\*) Term: **15 Years**

(21) Appl. No.: **29/599,150**

(22) Filed: **Mar. 31, 2017**

(51) **LOC (11) Cl.** ..... **11-01**

(52) **U.S. Cl.**  
USPC ..... **D11/90**

(58) **Field of Classification Search**  
USPC ..... D11/1-2, 26-29, 89-92; 63/26-28, 32  
CPC ..... A44C 17/00; A44C 17/01; A44C 17/005;  
A44C 17/007; A44C 17/008  
See application file for complete search history.

(56) **References Cited**

**U.S. PATENT DOCUMENTS**

D455,367 S \* 4/2002 Tolkowsky ..... D11/90  
D459,268 S \* 6/2002 Goldberg ..... D11/90  
D501,153 S \* 1/2005 Tolkowsky ..... D11/90  
D524,685 S \* 7/2006 Shifman ..... D11/90

D568,199 S \* 5/2008 Tannenbaum ..... D11/90  
D592,540 S \* 5/2009 Rydlewicz ..... D11/90  
7,878,025 B2 \* 2/2011 Rydlewicz ..... A44C 17/001  
63/26  
D678,116 S \* 3/2013 LeVian ..... D11/90  
D694,665 S \* 12/2013 Mitchener ..... D11/90  
D738,778 S \* 9/2015 Rydlewicz ..... D11/90  
D763,122 S \* 8/2016 Rydlewicz ..... D11/90

\* cited by examiner

*Primary Examiner* — Ralf T Seifert

(74) *Attorney, Agent, or Firm* — Ostrolenk Faber LLP

(57) **CLAIM**

The ornamental design for multiple facet gemstone, as shown and described.

**DESCRIPTION**

The patent or application file contains at least one drawing executed in color. Copies of this patent or patent application publication with color drawing(s) will be provided by the Office upon request and payment of the necessary fee.

FIG. 1 is a side and top perspective view of a multiple facet gemstone showing my new design;

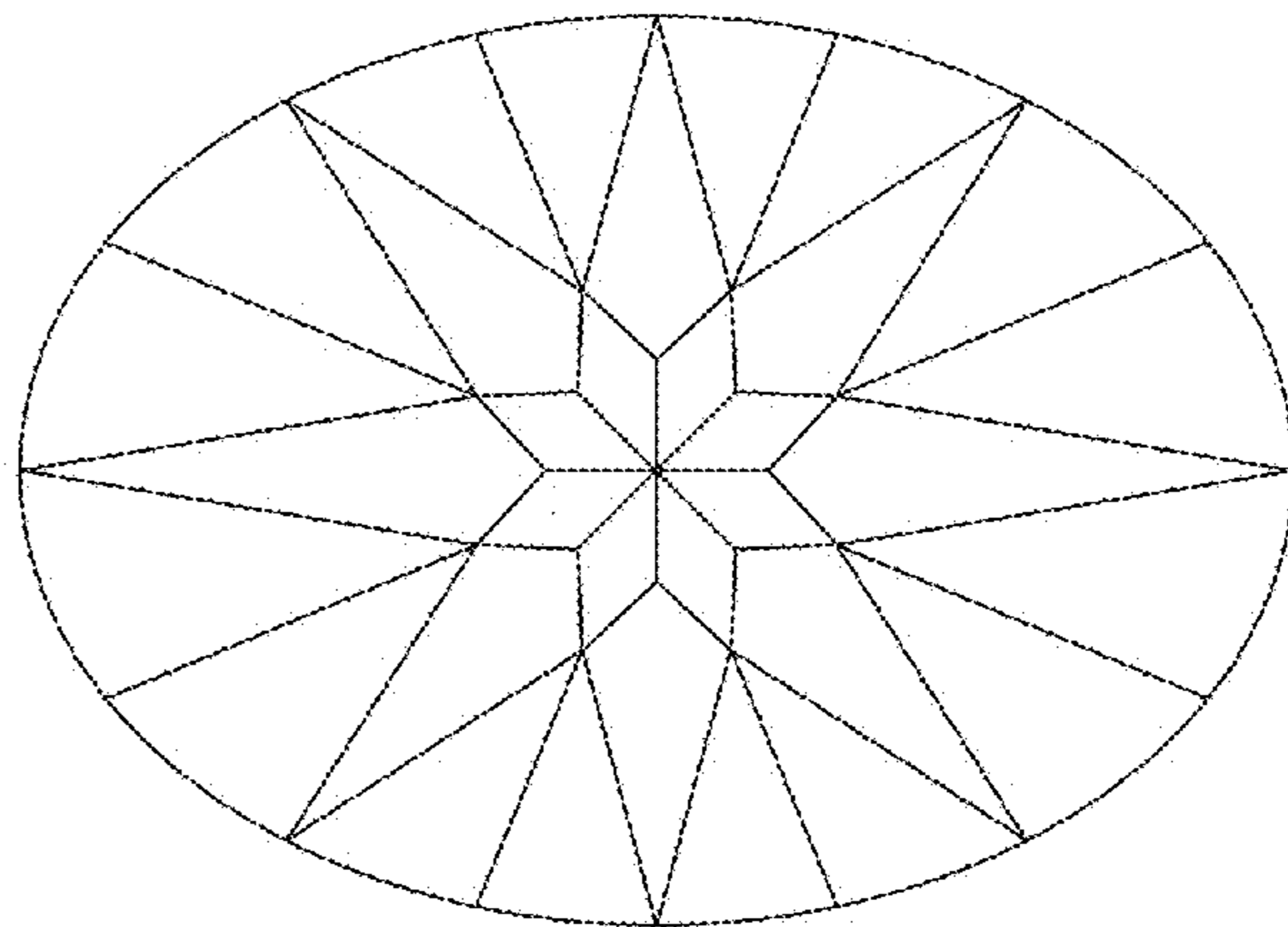
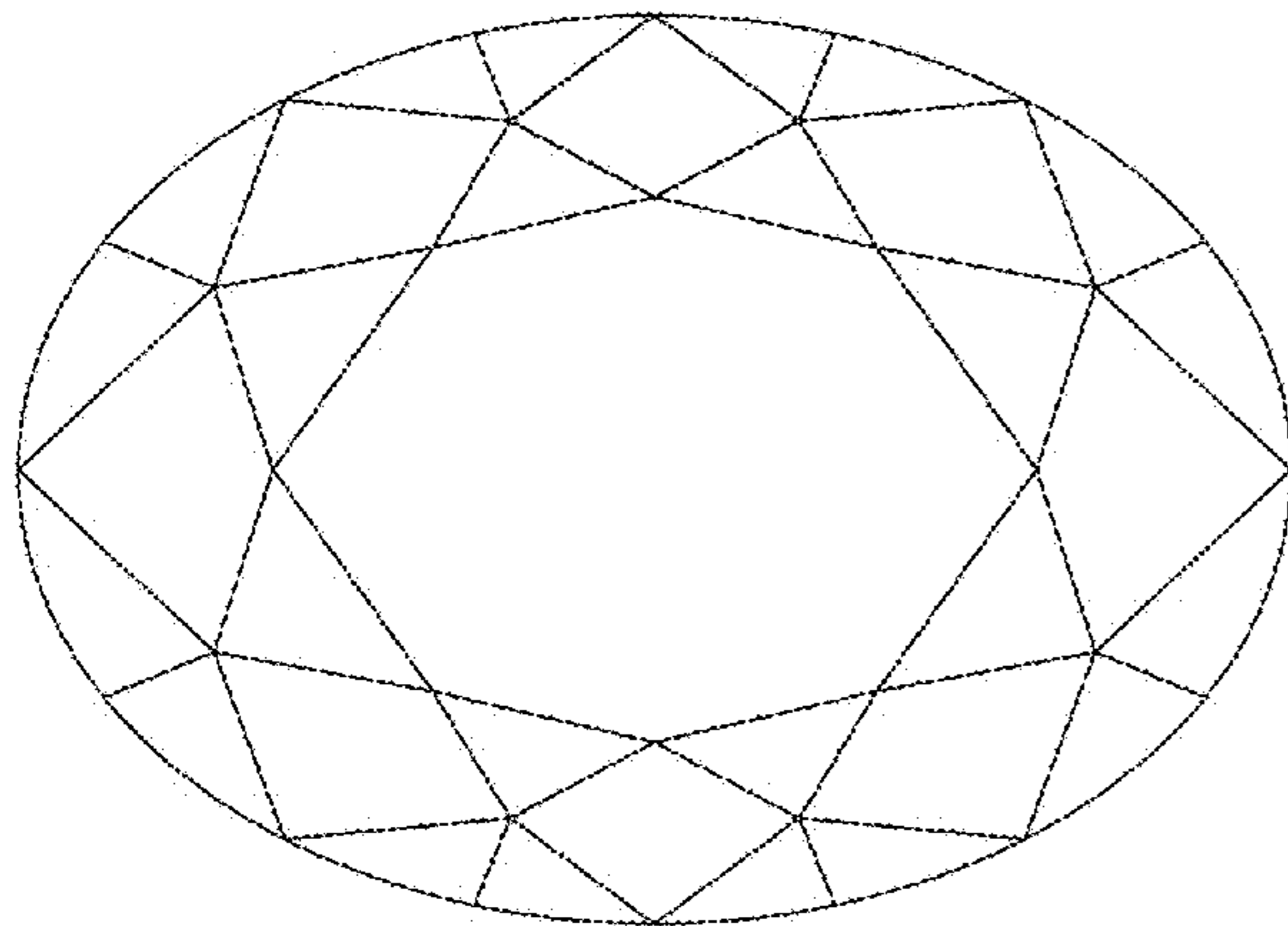
FIG. 2 is a top view thereof;

FIG. 3 is a bottom view thereof;

FIG. 4 is a side view thereof, the opposite side view being identical thereto; and,

FIG. 5 is a front view thereof, the rear view being identical thereto.

**1 Claim, 4 Drawing Sheets**  
**(4 of 4 Drawing Sheet(s) Filed in Color)**



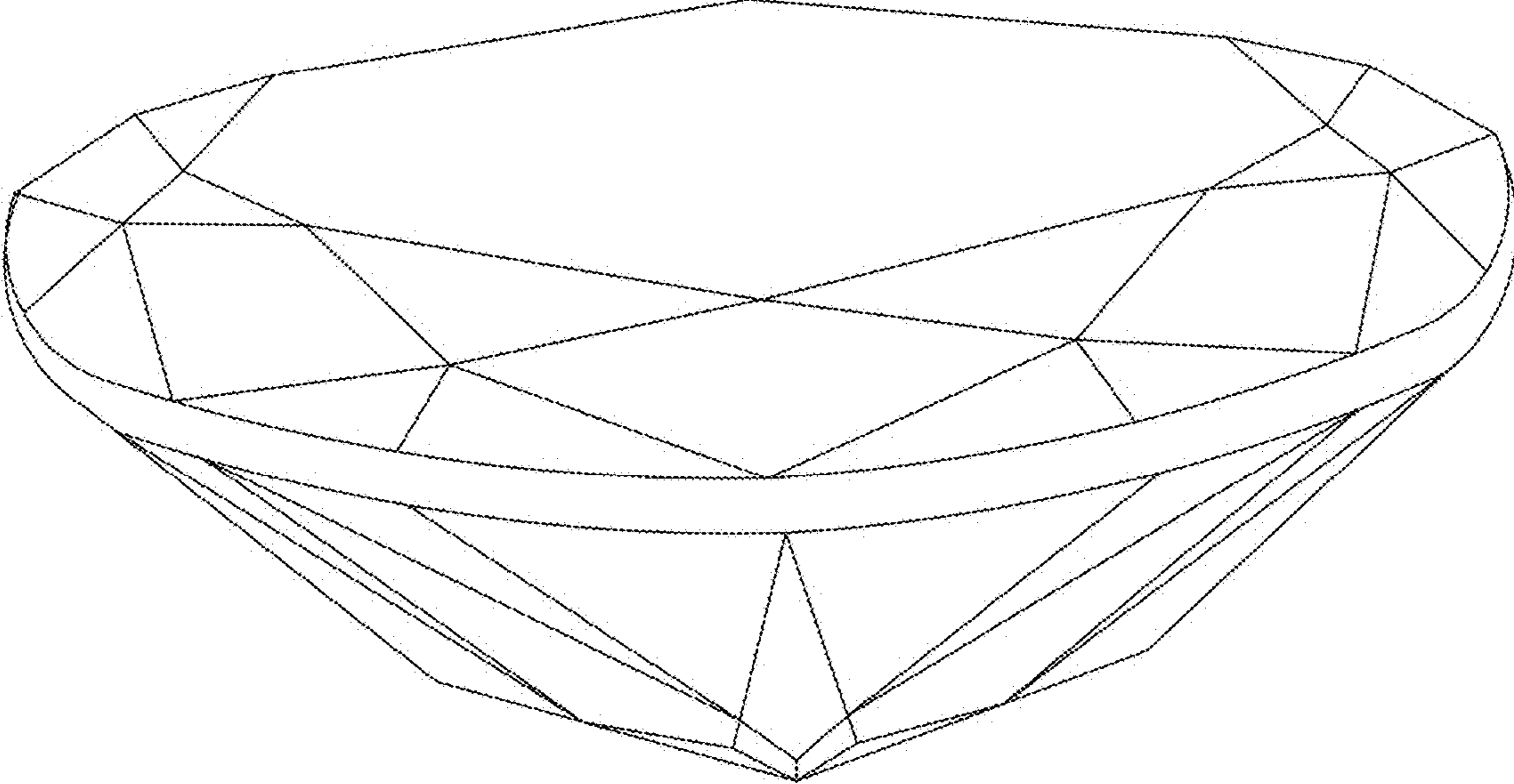


Fig. 1

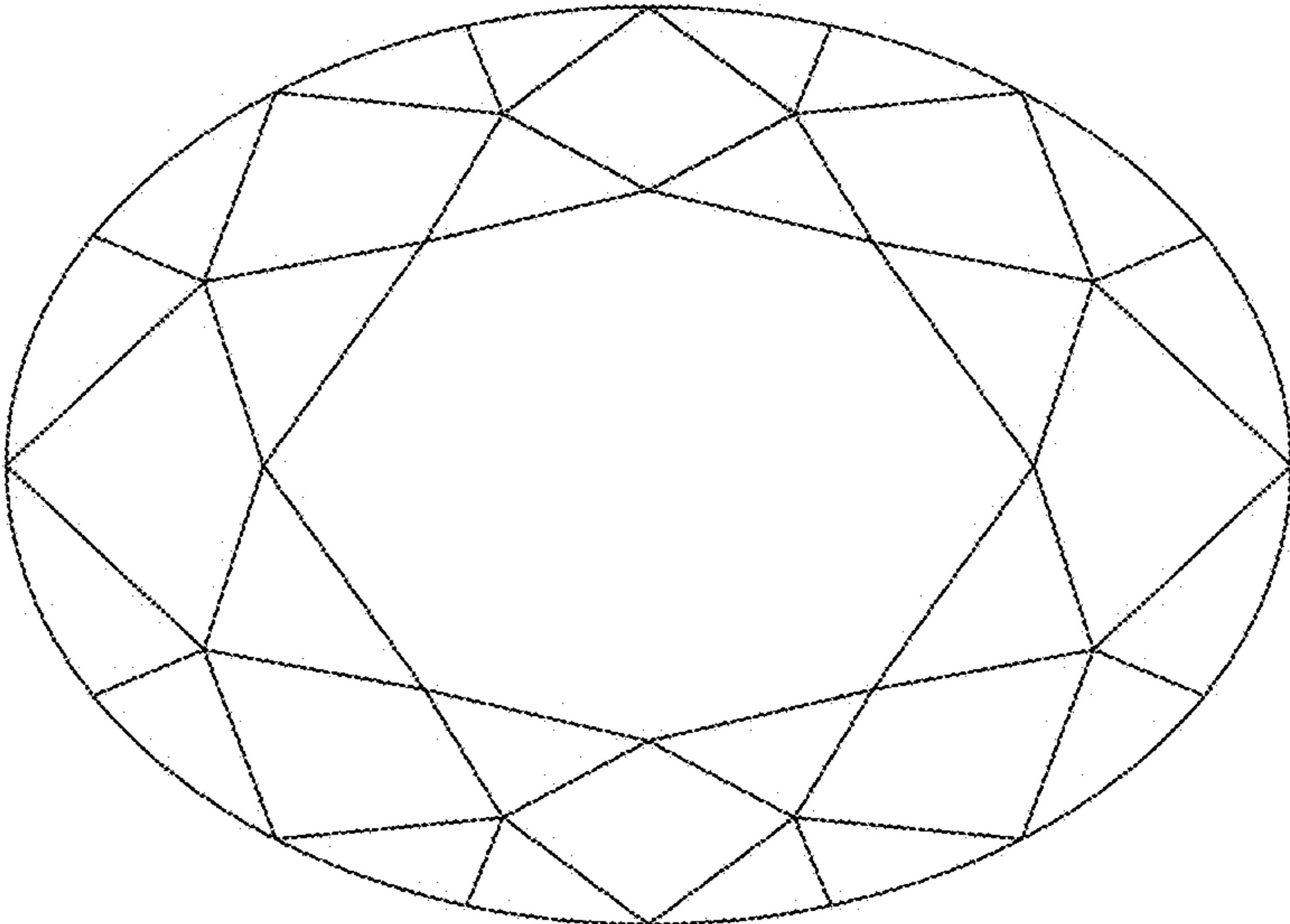


Fig. 2

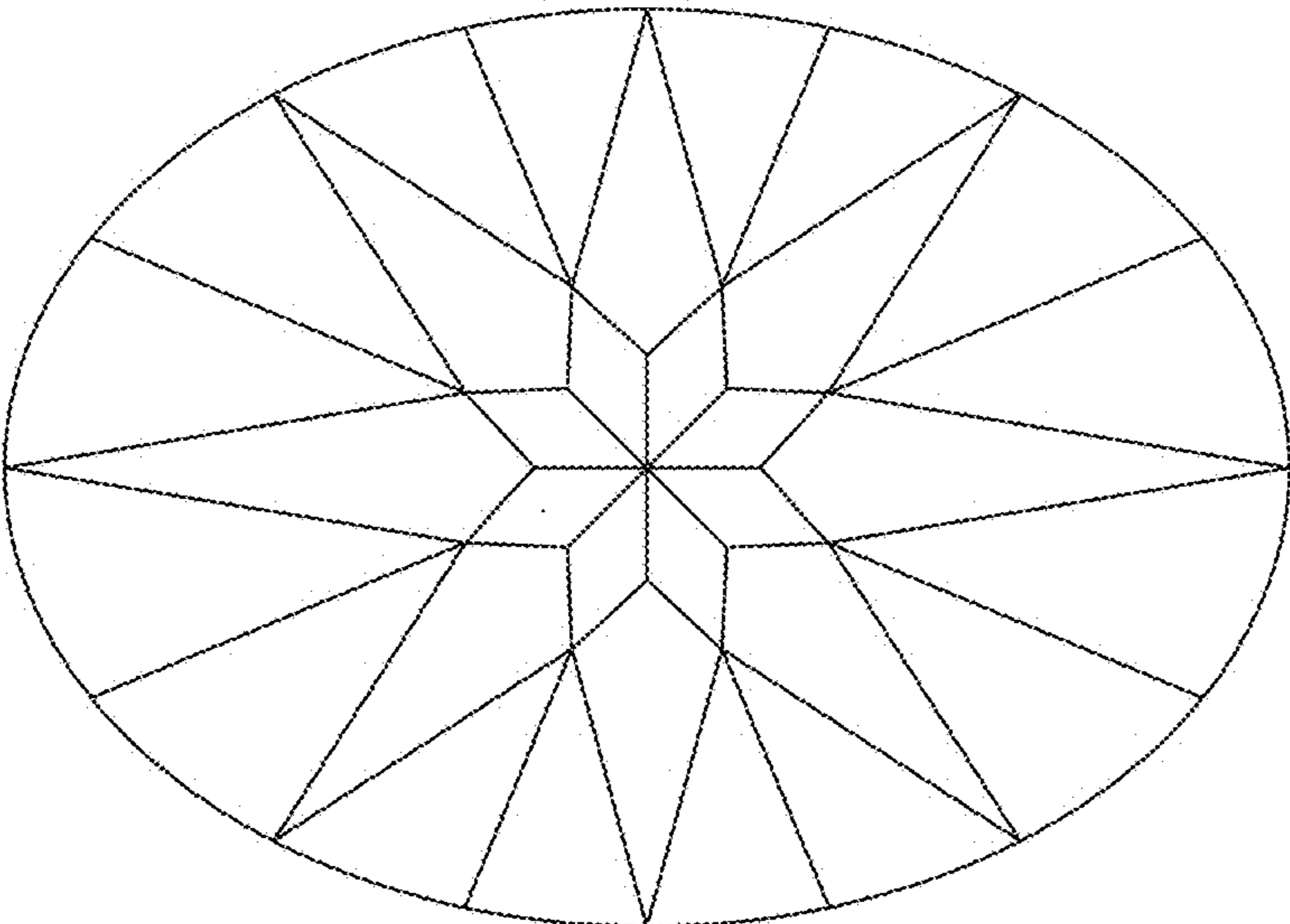


Fig. 3

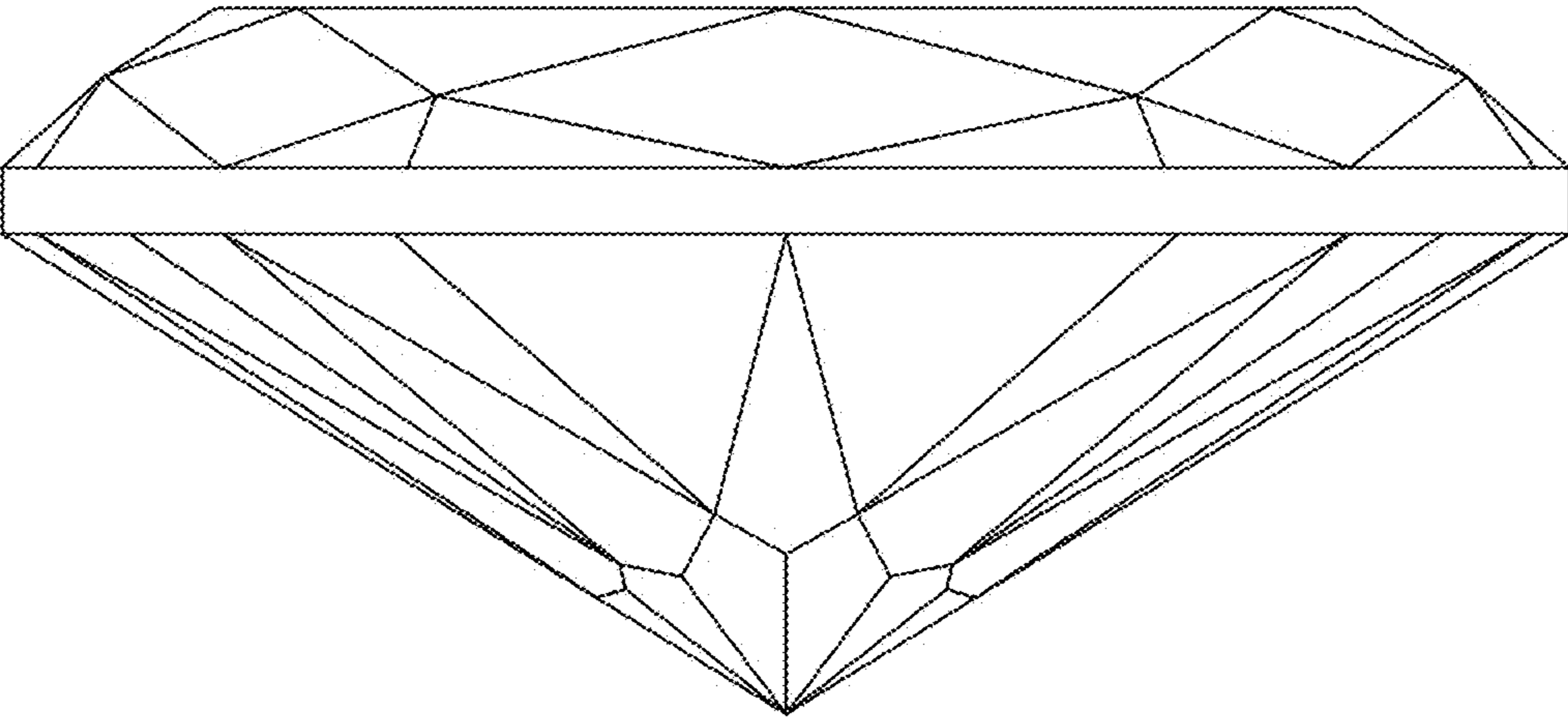


Fig. 4

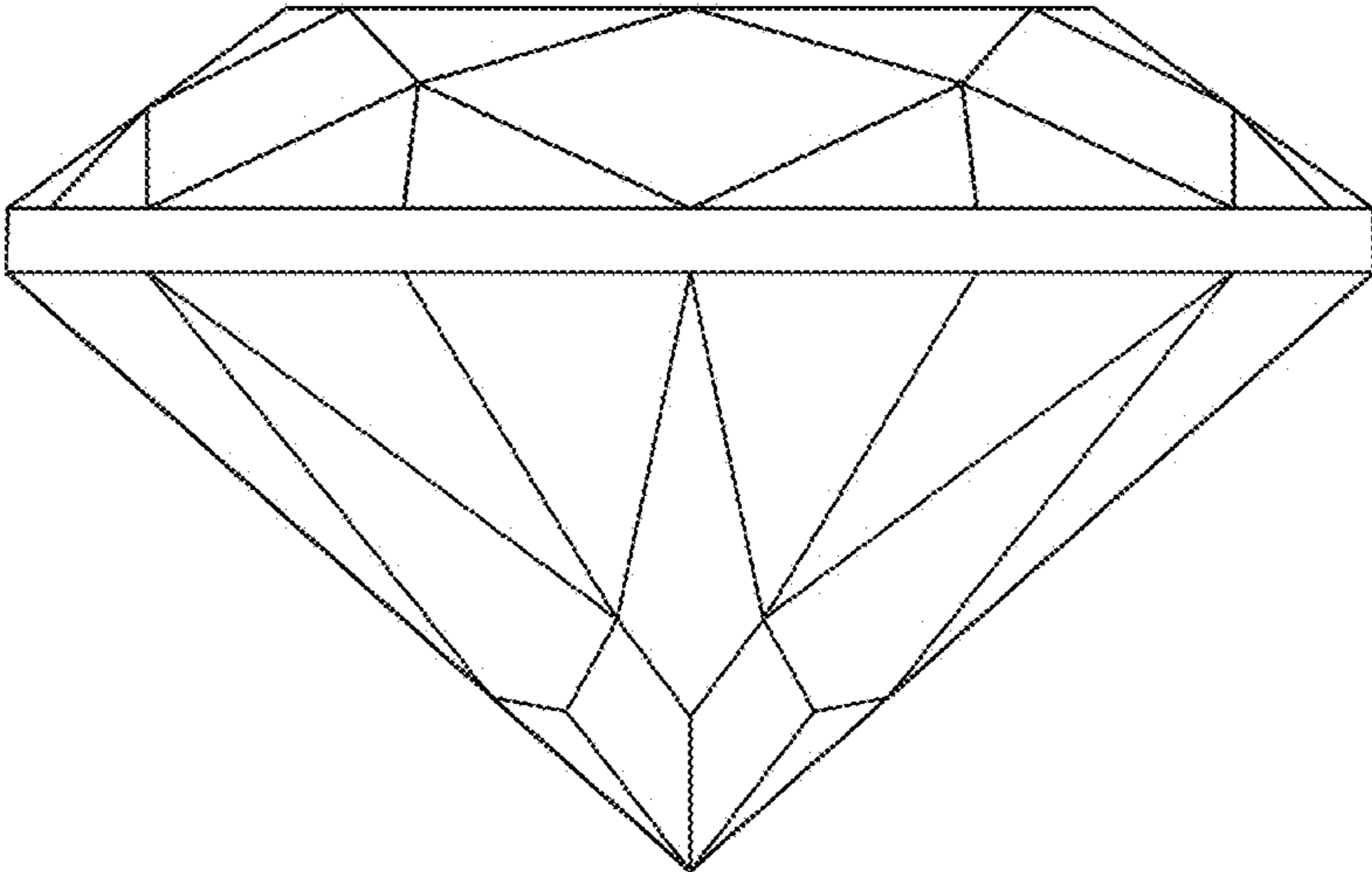


Fig. 5