



US00D810612S

(12) **United States Design Patent** (10) **Patent No.:** **US D810,612 S**
Corey et al. (45) **Date of Patent:** **** Feb. 20, 2018**

- (54) **EARRING JEWELRY CLIP** 4,066,373 A * 1/1978 Workman A47C 1/124
24/339
- (71) Applicants: **Ariel D. Corey**, Minnetonka, MN (US); D265,380 S * 7/1982 Addington 137/231
Diane C. Corey, Minnetonka, MN (US) 4,628,708 A * 12/1986 Ivey A44C 11/00
24/3.6
- (72) Inventors: **Ariel D. Corey**, Minnetonka, MN (US); D290,928 S * 7/1987 Strandengen D8/349
Diane C. Corey, Minnetonka, MN (US) D299,113 S * 12/1988 Takahashi D8/382
D380,418 S * 7/1997 Michael D11/222
D380,663 S * 7/1997 Nakamura D8/354
D395,592 S * 6/1998 Clavel D8/354
D410,194 S * 5/1999 Hilton D8/382
D413,508 S * 9/1999 Shibao D8/382
D446,471 S * 8/2001 Kurylo D11/93
D476,263 S * 6/2003 Walters D11/200
7,225,640 B2 * 6/2007 Douglas A44C 17/02
63/26
- (**) Term: **15 Years** D573,444 S * 7/2008 Hardt, II D8/343
D605,026 S * 12/2009 Lin D8/354
D641,052 S * 7/2011 Christensen D21/484
D695,091 S * 12/2013 Nunez Farfan D8/354
- (21) Appl. No.: **29/579,750**
- (22) Filed: **Oct. 3, 2016**
- (51) **LOC (11) Cl.** **11-01**
- (52) **U.S. Cl.**
- USPC **D11/87**
- (58) **Field of Classification Search**

USPC D11/206, 121, 213, 222, 228, 230, 231,
D11/1, 40, 41, 86-89, 91-93, 181, 184;
D8/343, 349, 354, 382, 383; D10/103,
D10/121; 63/22, 26-28, 29.1, 29.2, 30,
63/31, 900; 411/500, 508, 510, 511, 522,
411/546, 548, 913; 24/453, 297
CPC A44C 11/00; A44C 11/005; A44C 17/02;
F16B 7/0433; H01R 31/02; Y10T
24/1379; Y10T 24/44538; Y10T 24/4625;
Y10T 403/7141

See application file for complete search history.

(56) **References Cited**

U.S. PATENT DOCUMENTS

- 505,215 A * 9/1893 Buffinton H02G 7/08
24/135 R
- 508,687 A * 11/1893 Duggan H01B 17/24
174/157
- D35,000 S * 8/1901 Kendrick D5/238
- 1,005,283 A * 10/1911 Neher H01R 31/02
24/707.4
- 1,374,971 A * 4/1921 Spencer et al. A41F 15/02
2/337

(Continued)

Primary Examiner — Cathron C Brooks
Assistant Examiner — W. A. Teddy Falloway
(74) *Attorney, Agent, or Firm* — Briggs and Morgan,
P.A.; Gerald E. Helget

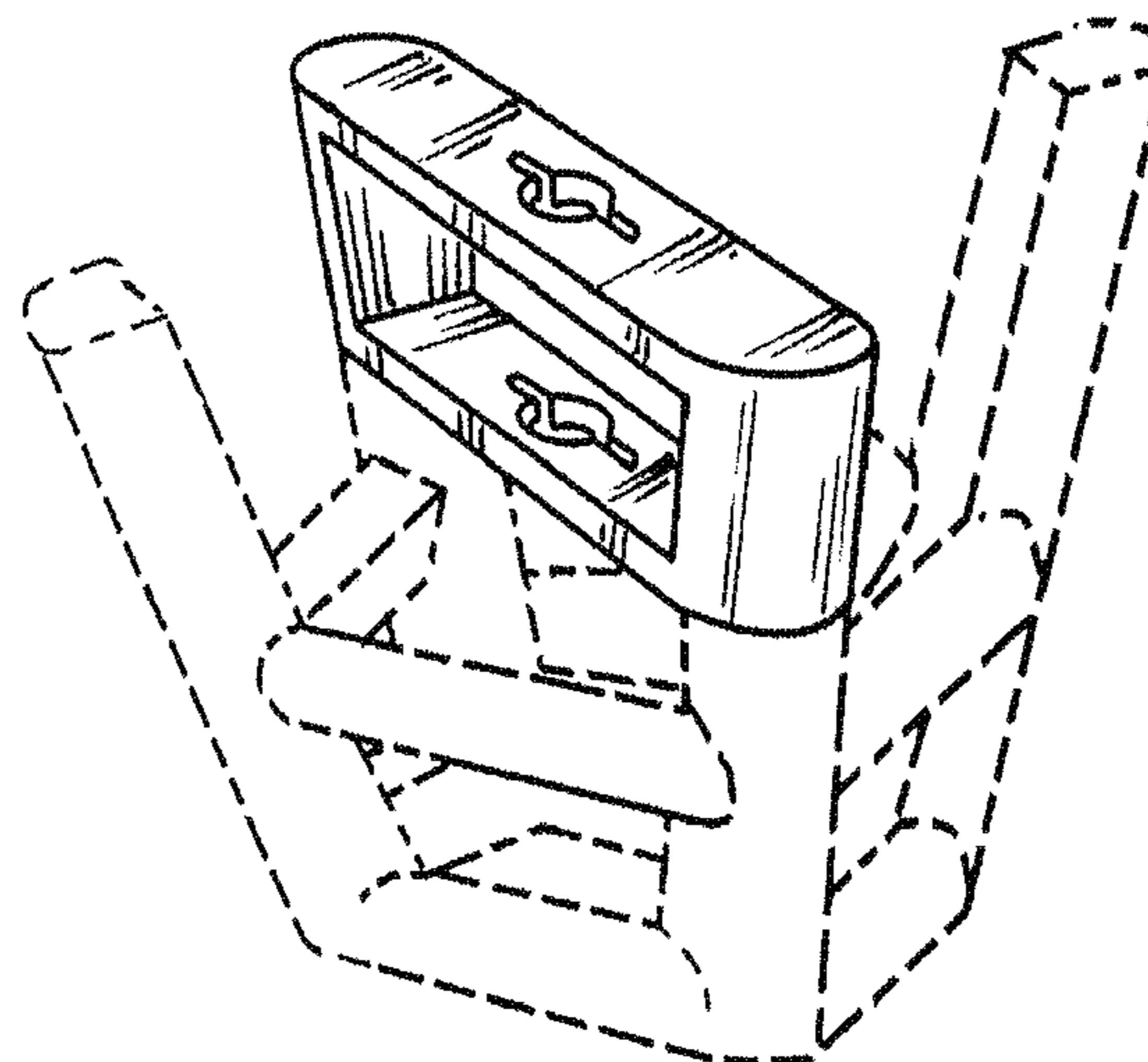
(57) **CLAIM**

The ornamental design for an earring jewelry clip, as shown and described.

DESCRIPTION

FIG. 1 is a perspective view showing my new design for an earring jewelry clip;
FIG. 2 is a front elevational view;
FIG. 3 is a top plan view;
FIG. 4 is a right side elevational view which is a mirror image of the left side; and,
FIG. 5 is a bottom plan view.
The broken line showing of a stud, a post, and clip supports illustrate environmental structure and forms no part of the claimed design.

1 Claim, 1 Drawing Sheet



(56)

References Cited

U.S. PATENT DOCUMENTS

D734,654 S * 7/2015 Geiger D8/354
D797,031 S * 9/2017 Patalak D12/223
2009/0152919 A1* 6/2009 Lin A47C 1/124
297/248

* cited by examiner

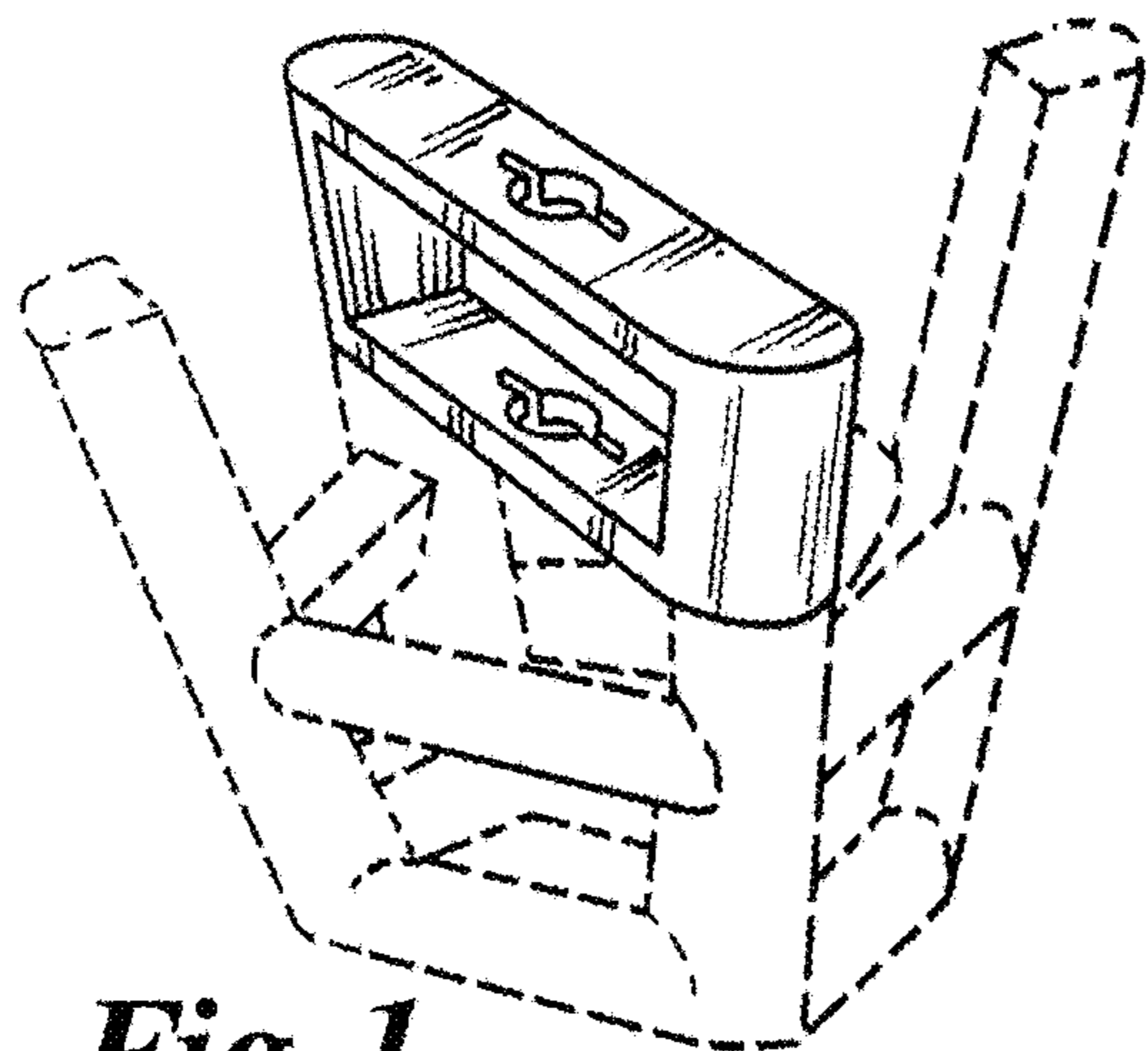


Fig. 1

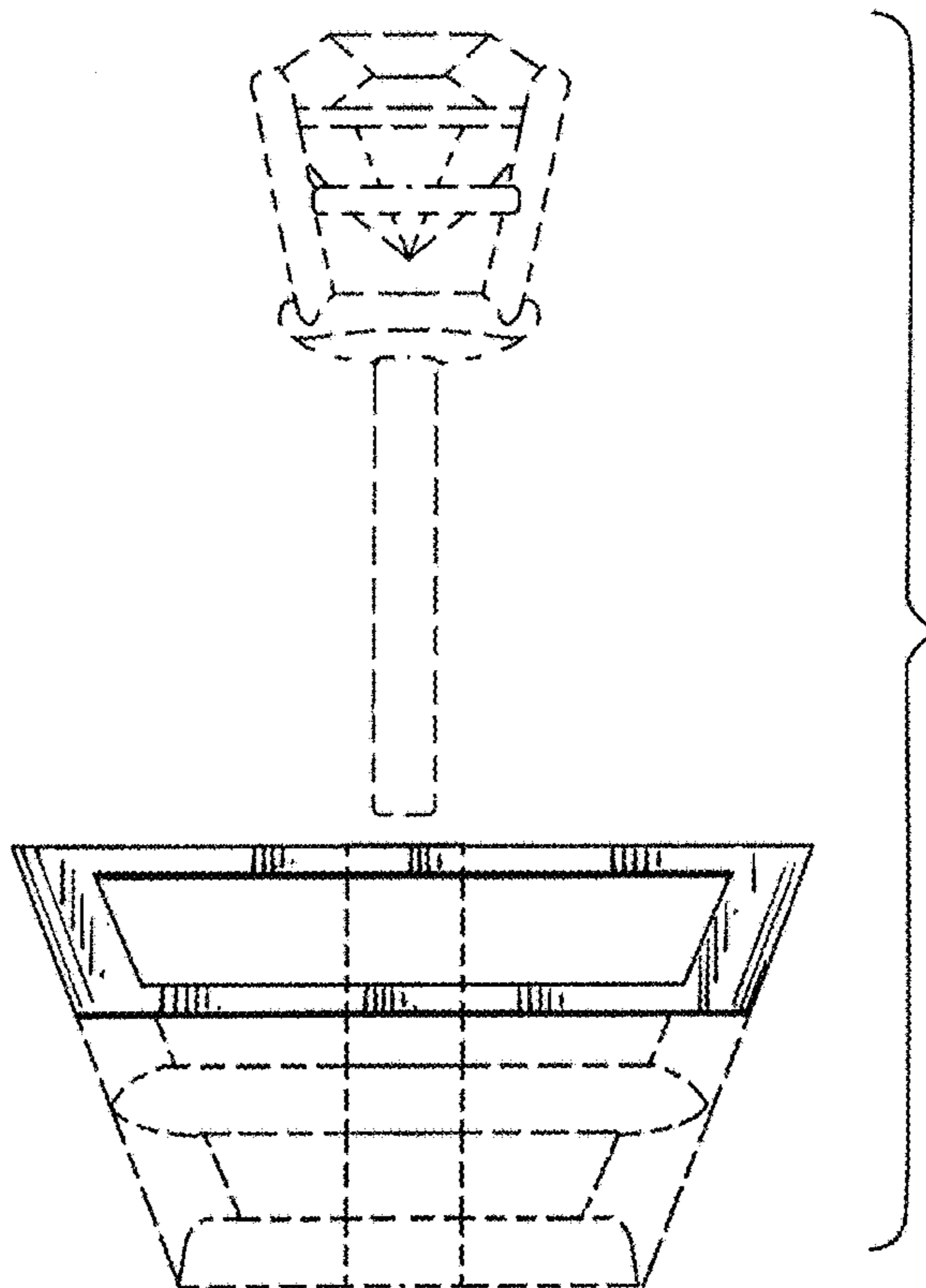


Fig. 2

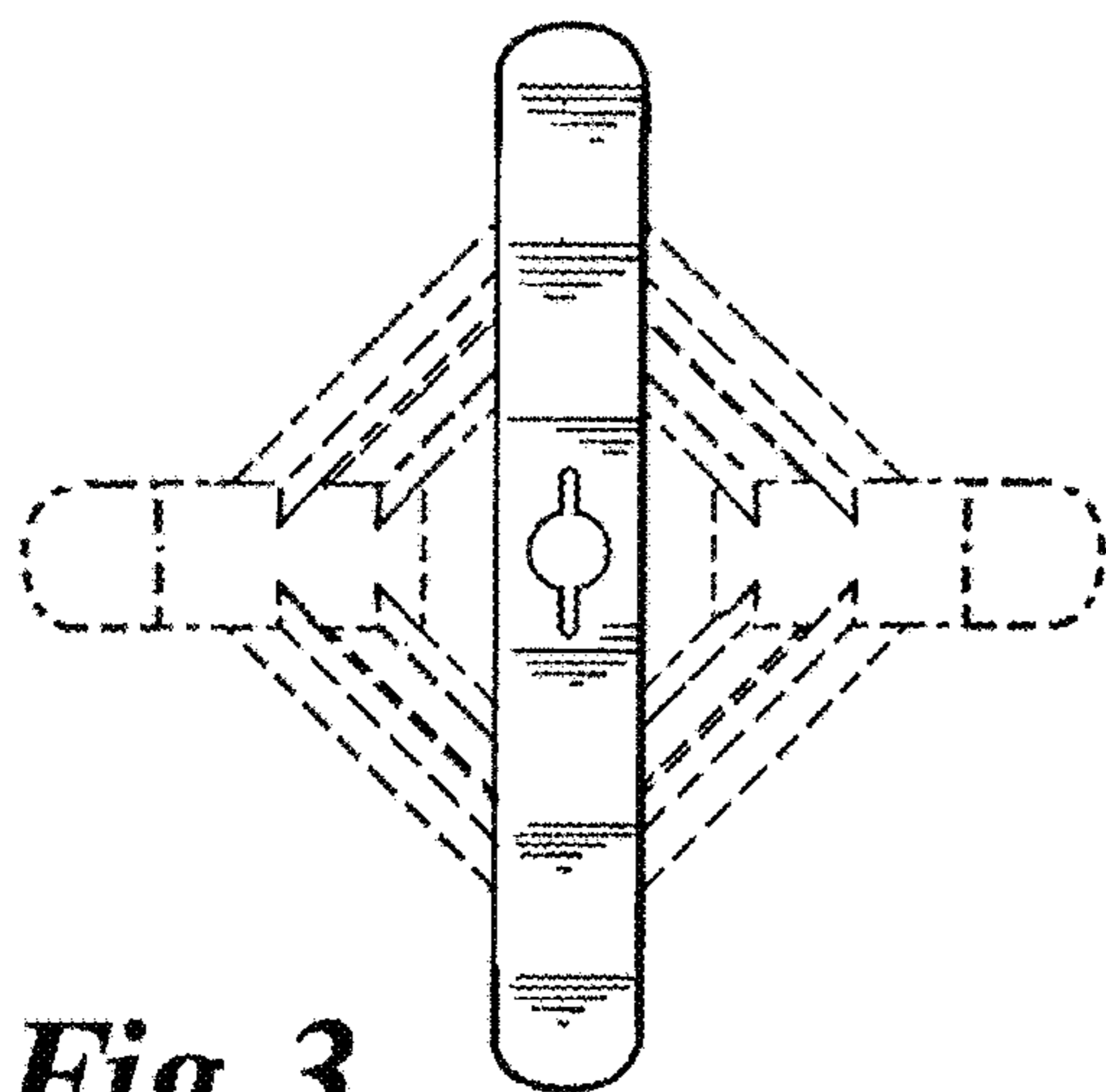


Fig. 3

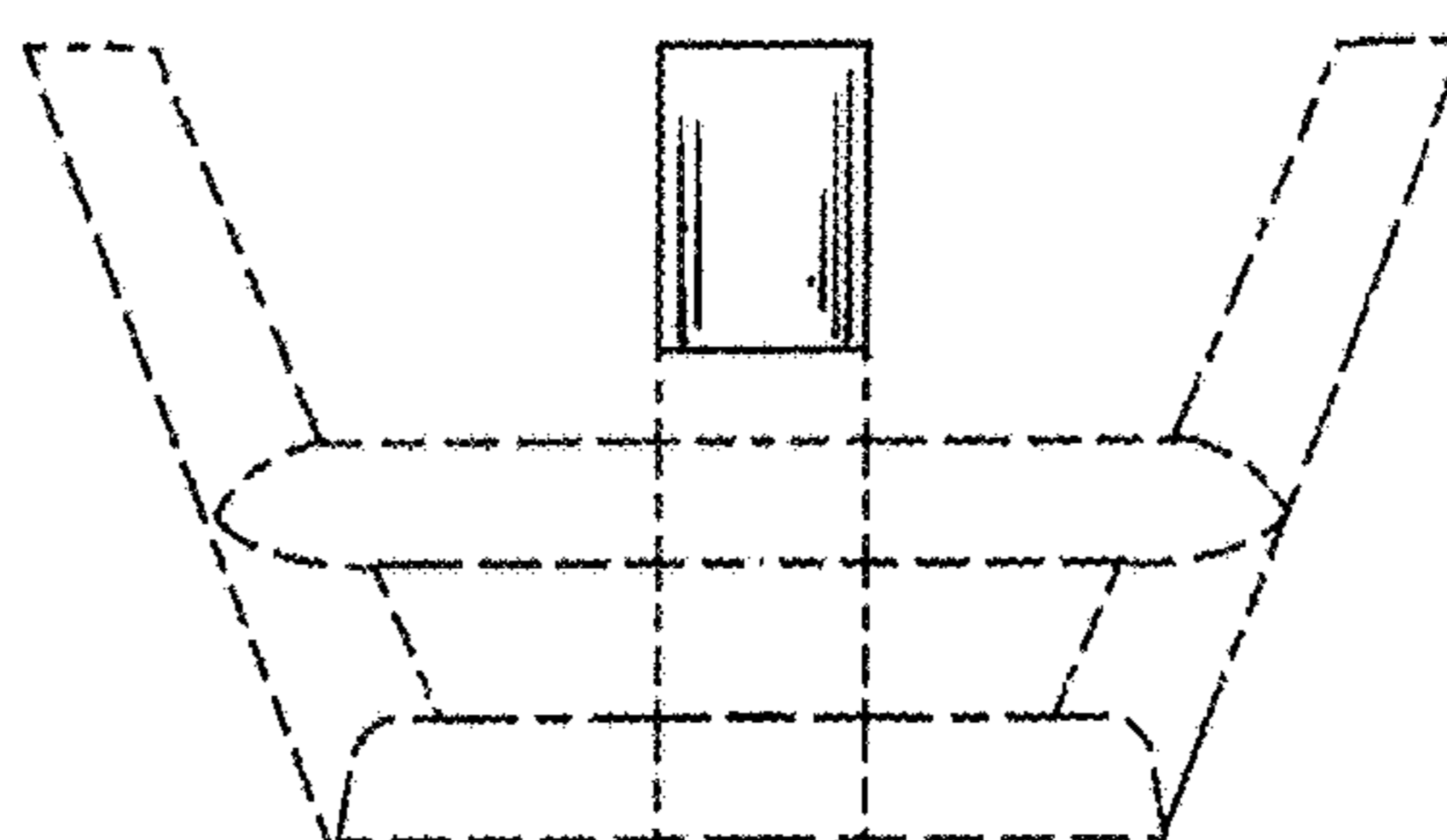


Fig. 4

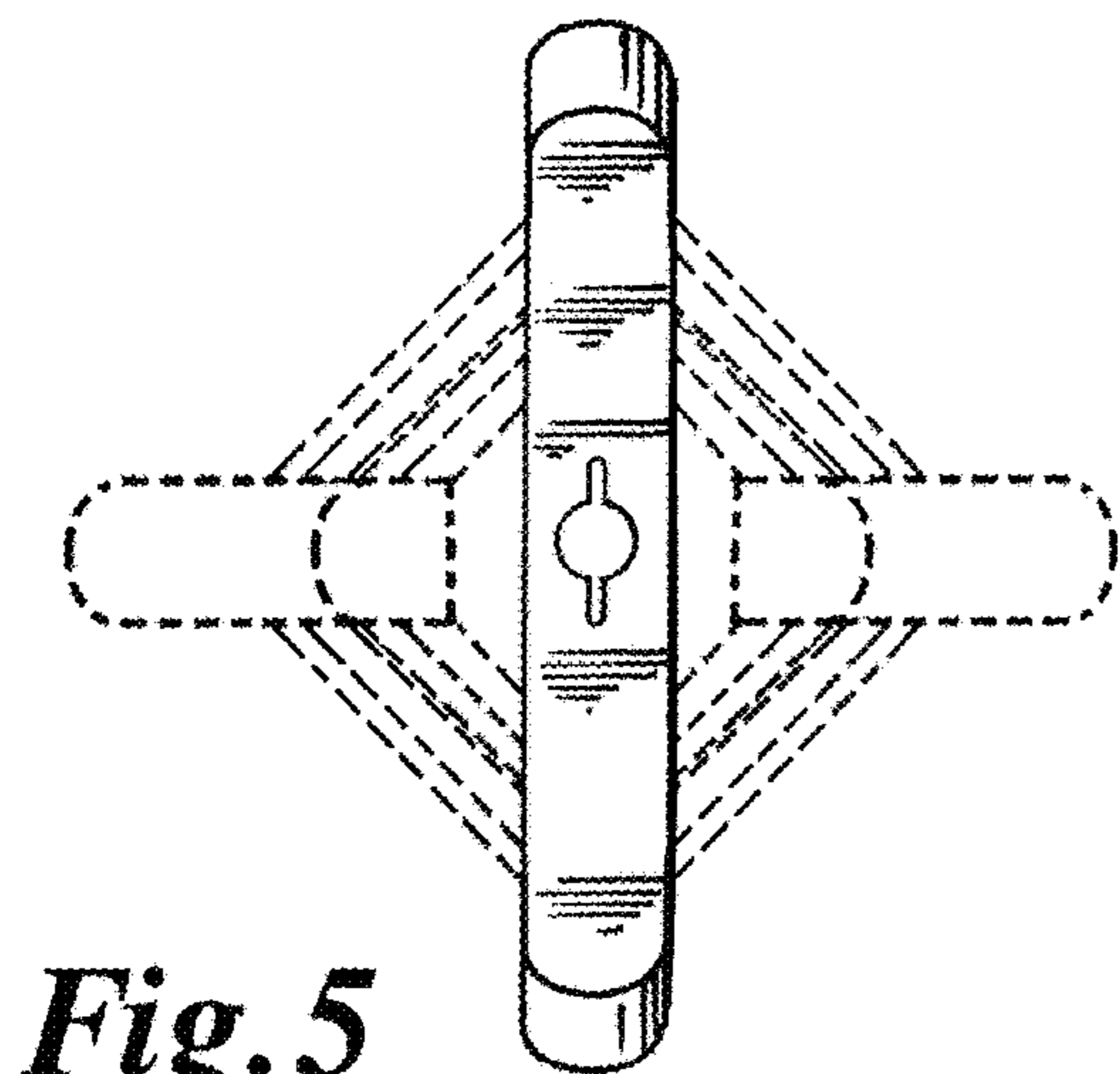


Fig. 5