



US00D810611S

(12) **United States Design Patent** (10) **Patent No.:** **US D810,611 S**
Milone (45) **Date of Patent:** **** Feb. 20, 2018**

(54) **TUNING PEG PENDANT**

(71) Applicant: **Gnarly Knobs**, Wall, NJ (US)

(72) Inventor: **Jeffrey Milone**, Wall, NJ (US)

(**) Term: **15 Years**

(21) Appl. No.: **29/602,832**

(22) Filed: **May 3, 2017**

Related U.S. Application Data

(63) Continuation of application No. 29/539,548, filed on Sep. 15, 2015, which is a continuation of application (Continued)

(51) **LOC (11) Cl.** **11-01**

(52) **U.S. Cl.**
USPC **D11/81**

(58) **Field of Classification Search**
USPC 17/1, 2, 7, 8, 40-48, 75, 76, 77, 78-88, 17/95, 97, 98, 121, 20, 21, 13, 99 (Continued)

(56) **References Cited**

U.S. PATENT DOCUMENTS

295,048 A * 3/1884 Patterson G10D 3/14
84/304
382,465 A * 5/1888 Filstrup et al. G10D 3/14
84/305

(Continued)

OTHER PUBLICATIONS

[Online] <https://i.pinimg.com/736x/65/76/ba/6576ba0709c12034f25fb83be077fc2b--guitar-tunings.jpg>
Retrieved Sep. 29, 2017.*

(Continued)

Primary Examiner — Melanie Pellegrini

(74) *Attorney, Agent, or Firm* — Lee & Hayes, PLLC

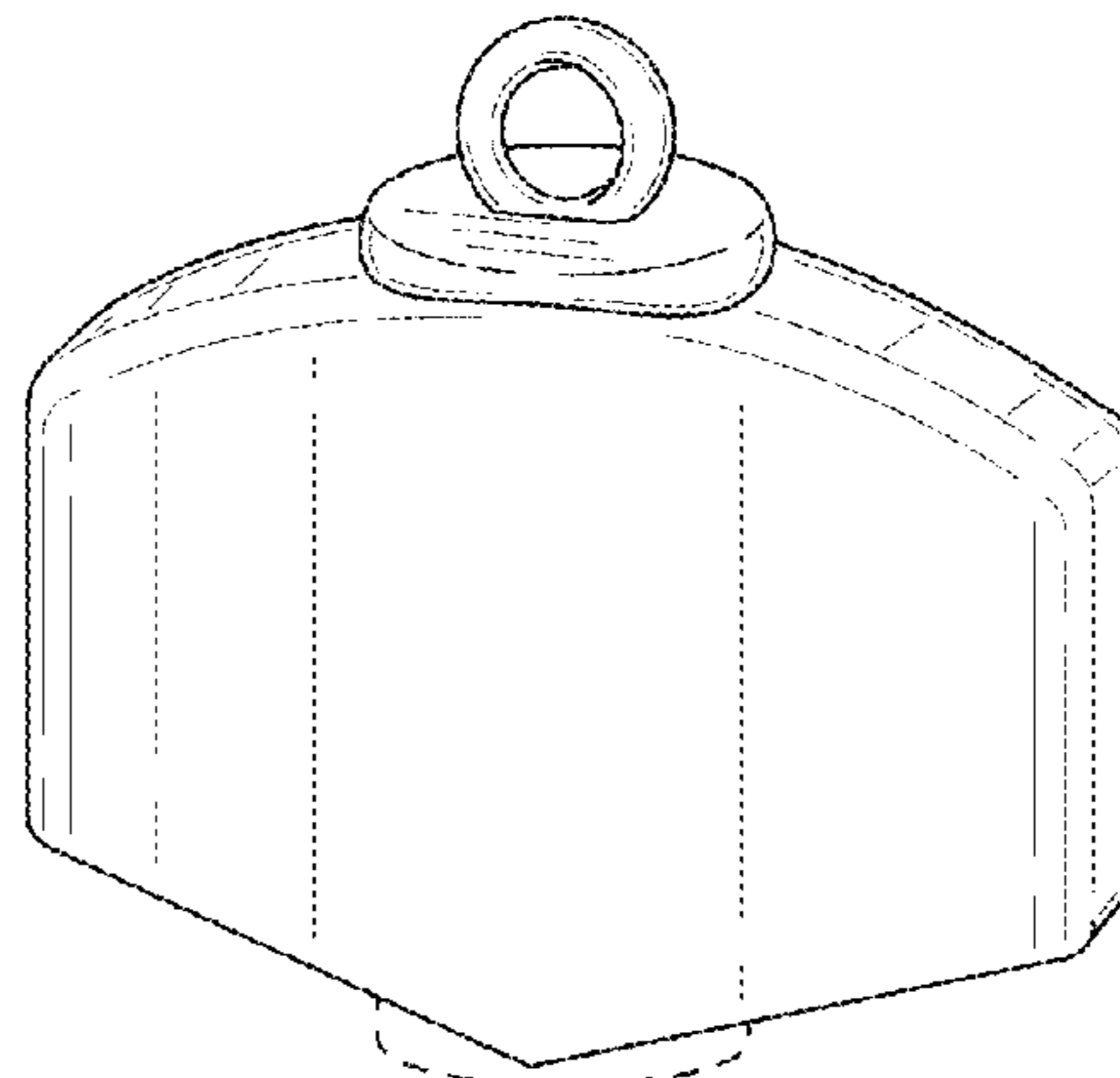
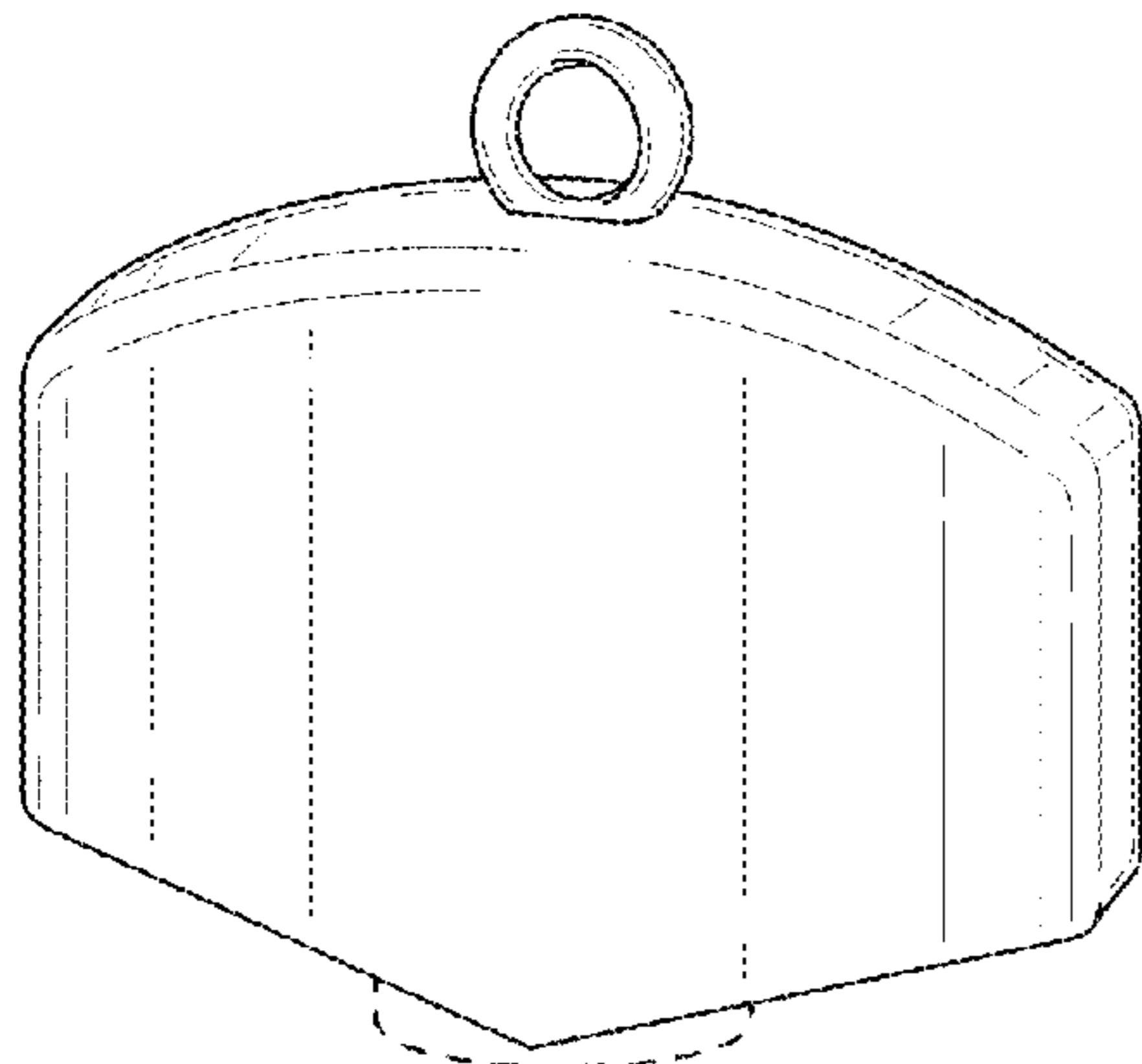
(57) **CLAIM**

The ornamental design for a tuning peg pendant, as shown and described.

DESCRIPTION

FIG. 1 is a front perspective view of a first embodiment of a tuning peg pendant showing my new design;
FIG. 2 is a front perspective view thereof shown in an environment of use;
FIG. 3 is a front elevational view thereof;
FIG. 4 is a right side elevational view thereof, the left side elevational view being identical thereto;
FIG. 5 is a top plan view thereof;
FIG. 6 is a bottom plan view thereof;
FIG. 7 is a front perspective view of a second embodiment of a tuning peg pendant showing my new design;
FIG. 8 is a front perspective view thereof shown in an environment of use;
FIG. 9 is a front elevational view thereof;
FIG. 10 is a right side elevational view thereof, the left side elevational view being identical thereto;
FIG. 11 is a top plan view thereof;
FIG. 12 is a bottom plan view thereof;
FIG. 13 is a front perspective view of a third embodiment of a tuning peg pendant showing my new design;
FIG. 14 is a front perspective view thereof shown in an environment of use;
FIG. 15 is a front elevational view thereof;
FIG. 16 is a right side elevational view thereof, the left side elevational view being identical thereto;
FIG. 17 is a top plan view thereof;
FIG. 18 is a bottom plan view thereof;
FIG. 19 is a front perspective view of a tuning peg pendant showing my new design;
FIG. 20 is a front perspective view thereof shown in an environment of use;
FIG. 21 is a front elevational view thereof;
FIG. 22 is a right side elevational view thereof, the left side elevational view being identical thereto;
FIG. 23 is a top plan view thereof; and,
FIG. 24 is a bottom plan view thereof.

(Continued)



The broken lines on the surface of the pendant represent portions of the tuning peg pendant which form no part of the claimed design. The broken lines showing a chain in FIGS. 2, 8, 14 and 20 illustrate environment and also form no part of the claimed design.

1 Claim, 12 Drawing Sheets

Related U.S. Application Data

No. 29/484,255, filed on Mar. 7, 2014, now Pat. No. Des. 770,563, which is a continuation of application No. 13/466,080, filed on May 7, 2012, now abandoned.

(58) **Field of Classification Search**

CPC .. A44C 1/00; A44C 3/00; A44C 3/001; A44C 3/002; A44C 3/004; A44C 3/005; A44C 3/006; A44C 3/007; A44C 3/008; A44C 7/00; A44C 7/002; A44C 7/003; A44C 7/004; A44C 7/005; A44C 7/006; A44C 7/007; A44C 7/008; A44C 7/009; A44C 15/001; A44C 15/0015; A44C 15/005; A44C 15/0055; A44C 15/006; A44C 25/001; A44C 25/002; A44C 25/004; A44C 25/007; G10D 3/14; G10D 3/143; G10D 3/146

See application file for complete search history.

(56) **References Cited**

U.S. PATENT DOCUMENTS

423,648 A * 3/1890 Wilcox G10D 3/14
84/305
464,003 A * 12/1891 Becker G10D 3/14
84/305
538,424 A * 4/1895 Kuenstler G10D 3/14
84/305
544,812 A * 8/1895 Knowles G10D 3/14
84/305
554,254 A * 2/1896 Fitler G10D 3/14
84/304
637,756 A 11/1899 Snedecker
D33,848 S * 1/1901 Rawlings D11/2
D44,838 S 11/1913 Day

D45,270 S * 2/1914 Osterberg D11/79
D66,742 S * 3/1925 Nelson D11/79
D156,135 S * 11/1949 Majeska D11/81
D184,959 S * 4/1959 Rachmuth D11/81
D206,460 S 12/1966 Thompson
D210,981 S 5/1968 Thompson
D211,052 S * 5/1968 Genung D11/84
3,431,807 A * 3/1969 Thompson G10D 3/14
84/304
D249,583 S 9/1978 Worthing et al.
4,362,080 A * 12/1982 DeArmas G10K 1/07
116/170
D280,524 S 9/1985 Smith
D298,543 S 11/1988 Benson et al.
4,827,825 A * 5/1989 Goto G10D 3/14
84/306
4,860,627 A * 8/1989 Sloane G10D 3/14
84/306
D386,778 S 11/1997 Goto
D400,559 S 11/1998 Gooday
D415,190 S 10/1999 Hoshino
D416,935 S 11/1999 DeCola
5,998,713 A 12/1999 Herin
D483,055 S 12/2003 Vogel
7,560,630 B1 7/2009 Keenan, Jr.
7,659,465 B1 2/2010 McEwen
D650,831 S 12/2011 Chan
D679,743 S 4/2013 Coco
D681,103 S 4/2013 Yi et al.
D785,443 S * 5/2017 Paik D8/356
2002/0026864 A1 * 3/2002 Gotoh G10D 3/14
84/304
2002/0092405 A1 7/2002 Enhoffer et al.
2002/0162443 A1 11/2002 Pittman
2004/0107819 A1 * 6/2004 Sperzel G10D 3/14
84/304
2010/0242704 A1 * 9/2010 Goto G10D 3/14
84/304
2012/0222538 A1 9/2012 Booth

OTHER PUBLICATIONS

[Online] https://is.alicdn.com/img/pb/150/006/364/364006150_329.JPG. Retrieved Sep. 29, 2017.*
[Online] https://www.etsy.com/listing/248339831/cello-tuning-peg-necklace-silver?ga_order=most_relevant&ga_search_type=all&ga_view_type=gallery&ga_search_query=tuning_peg&ref=sr_gallery_13. Retrieved Sep. 29, 2017.*
Office action for U.S. Appl. 29/539,543, dated Nov. 3, 2016, Milone, "Tuning Peg Cover", 8 pages.

* cited by examiner

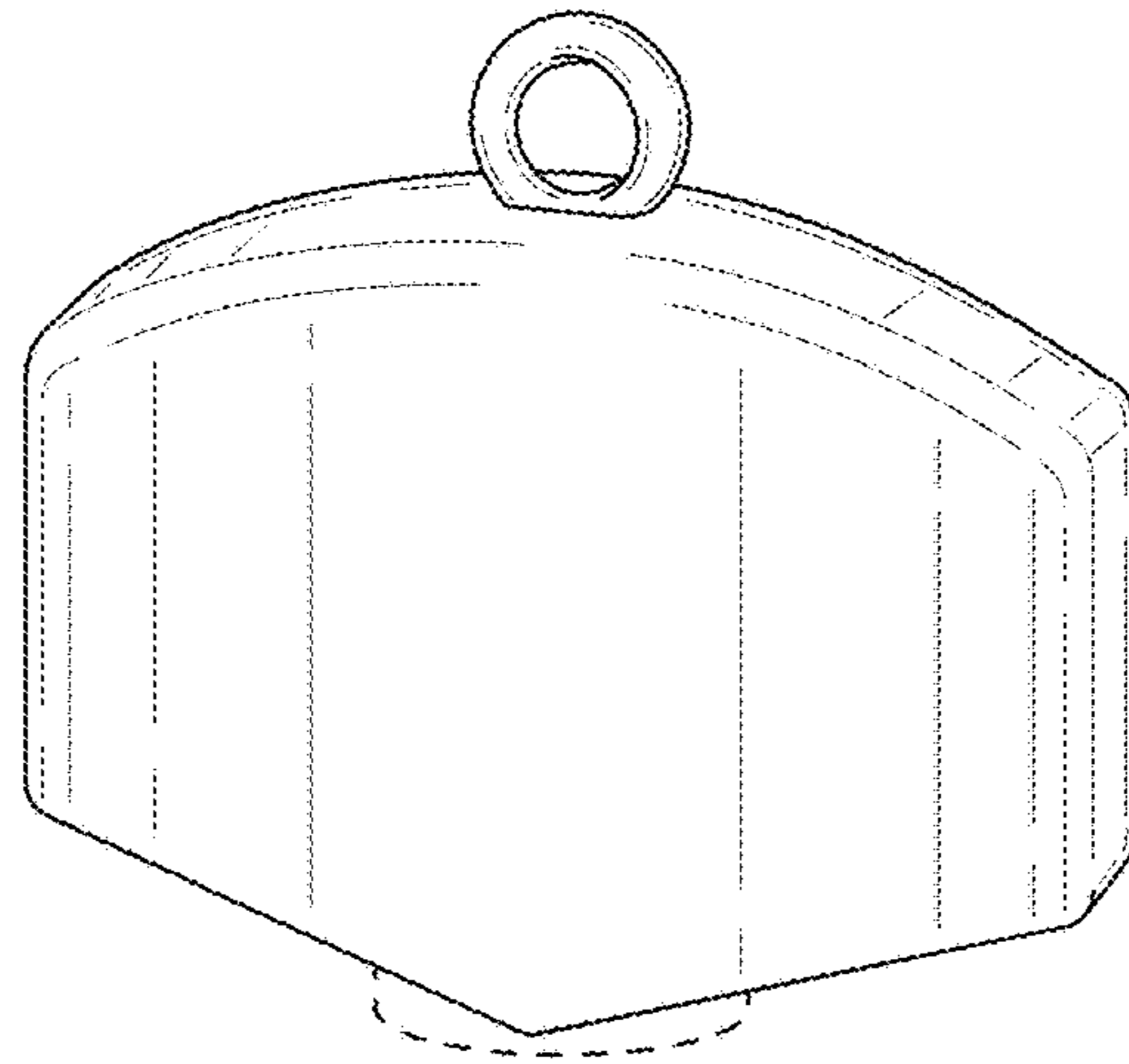


FIG. 1

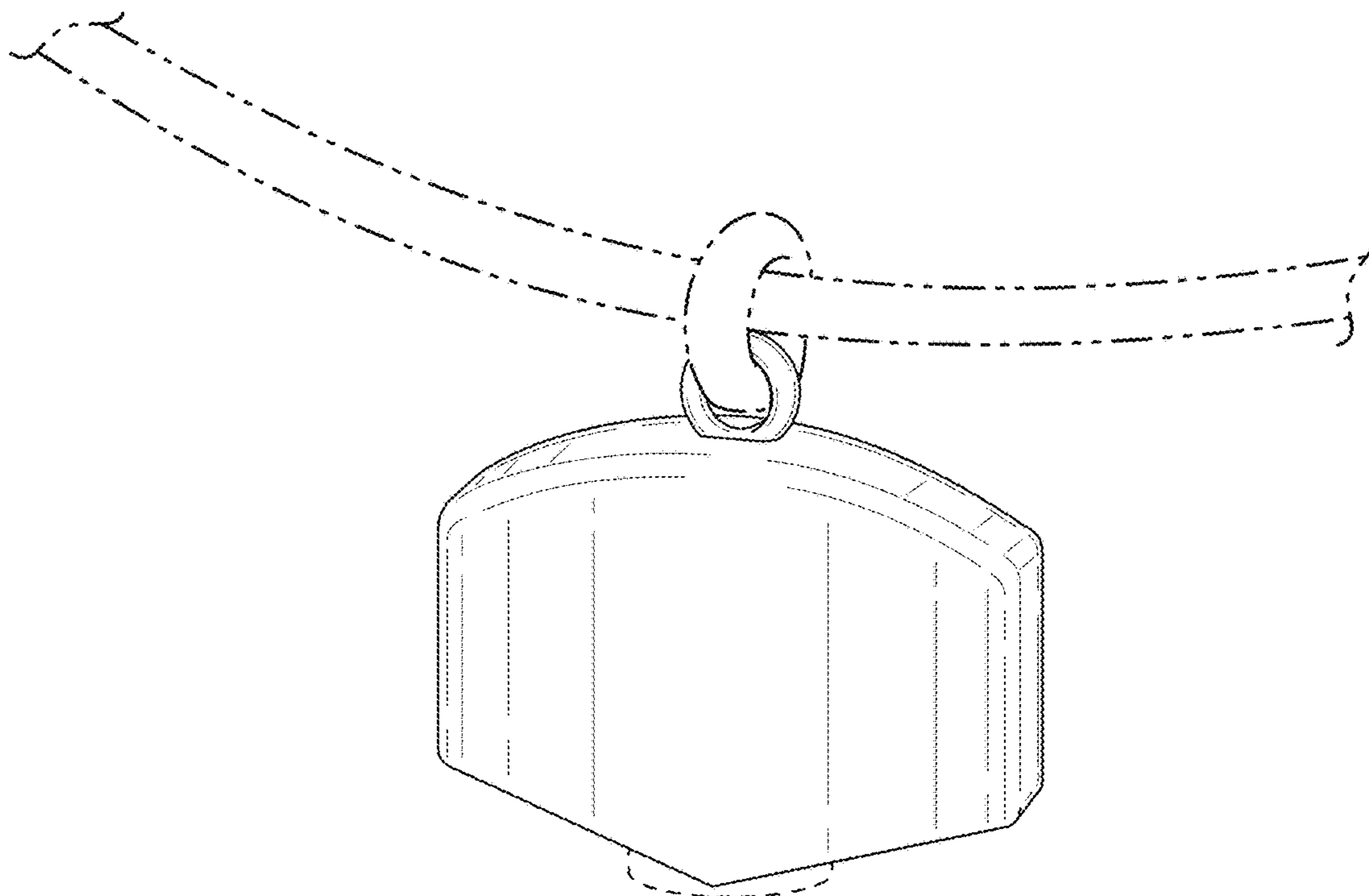


FIG. 2

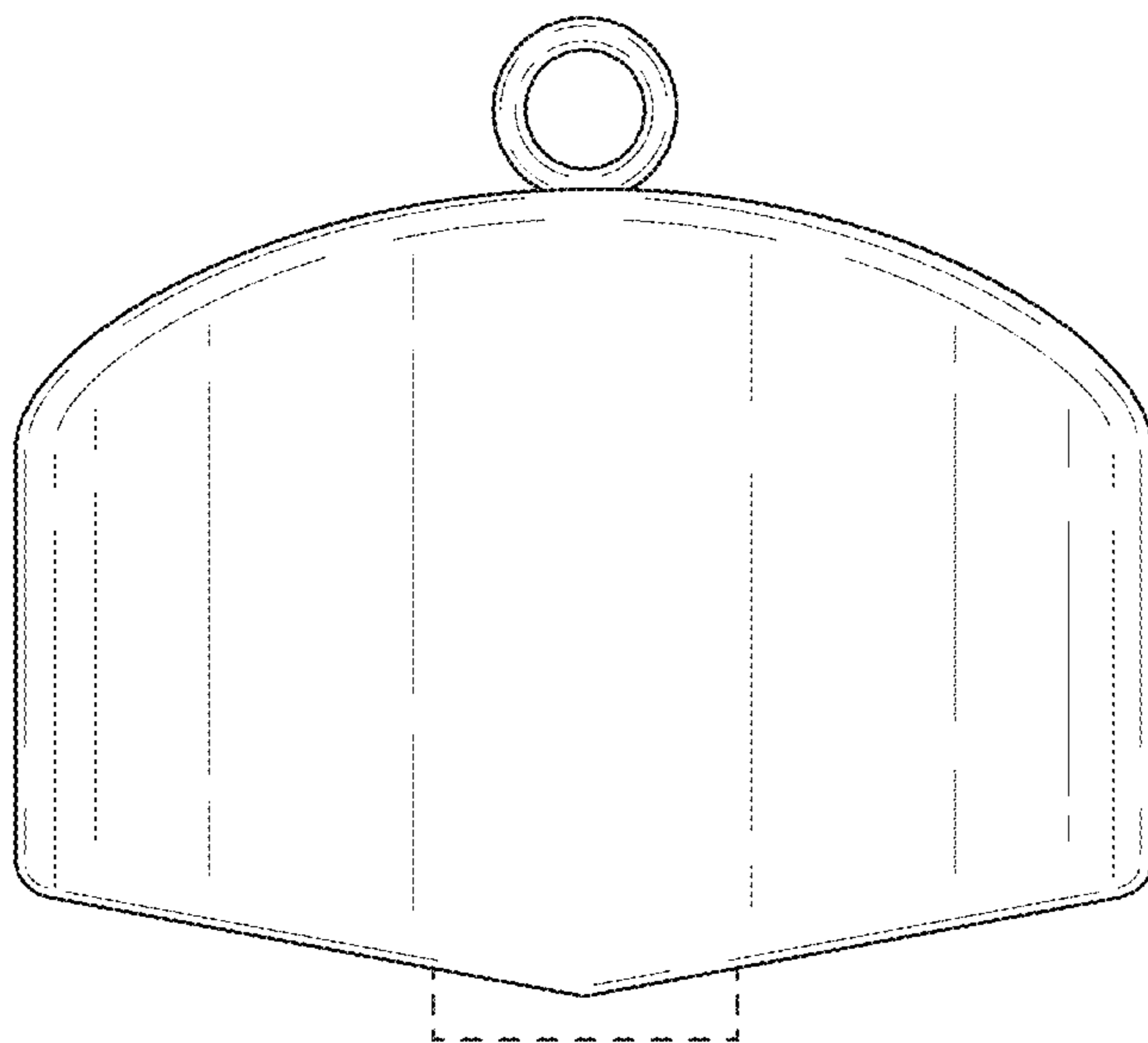


FIG. 3

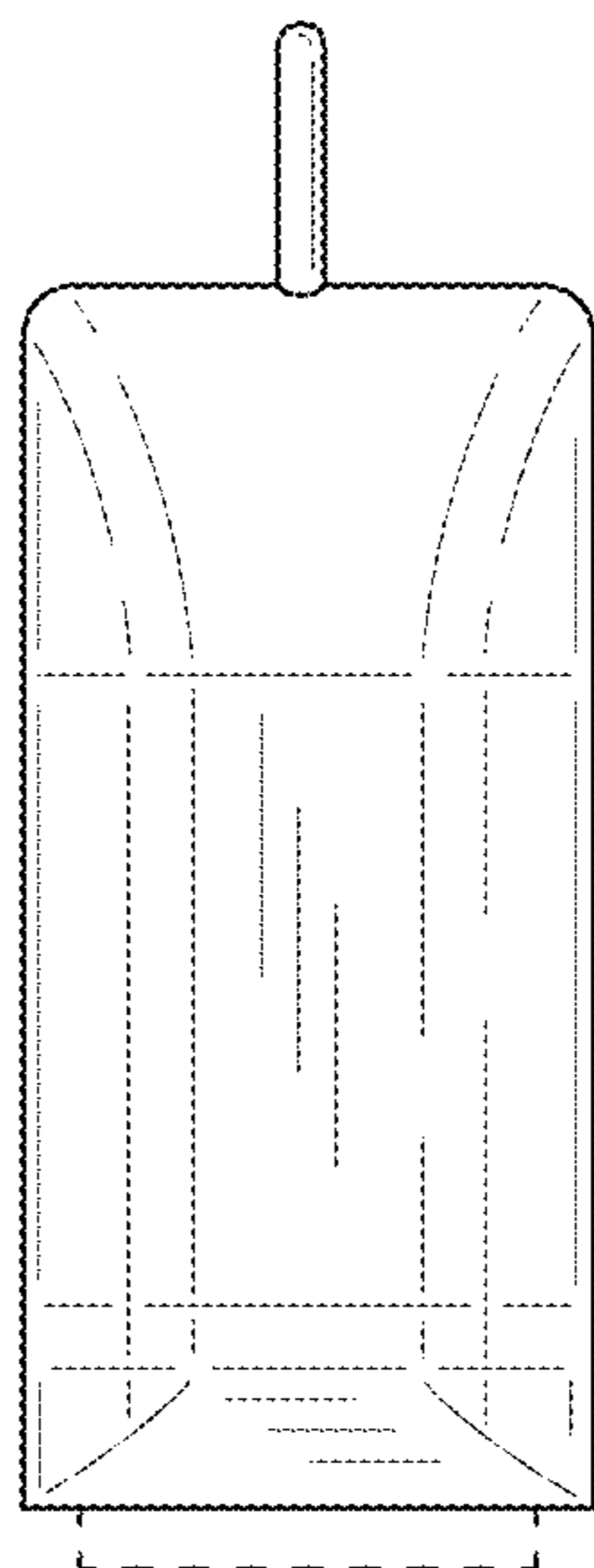


FIG. 4

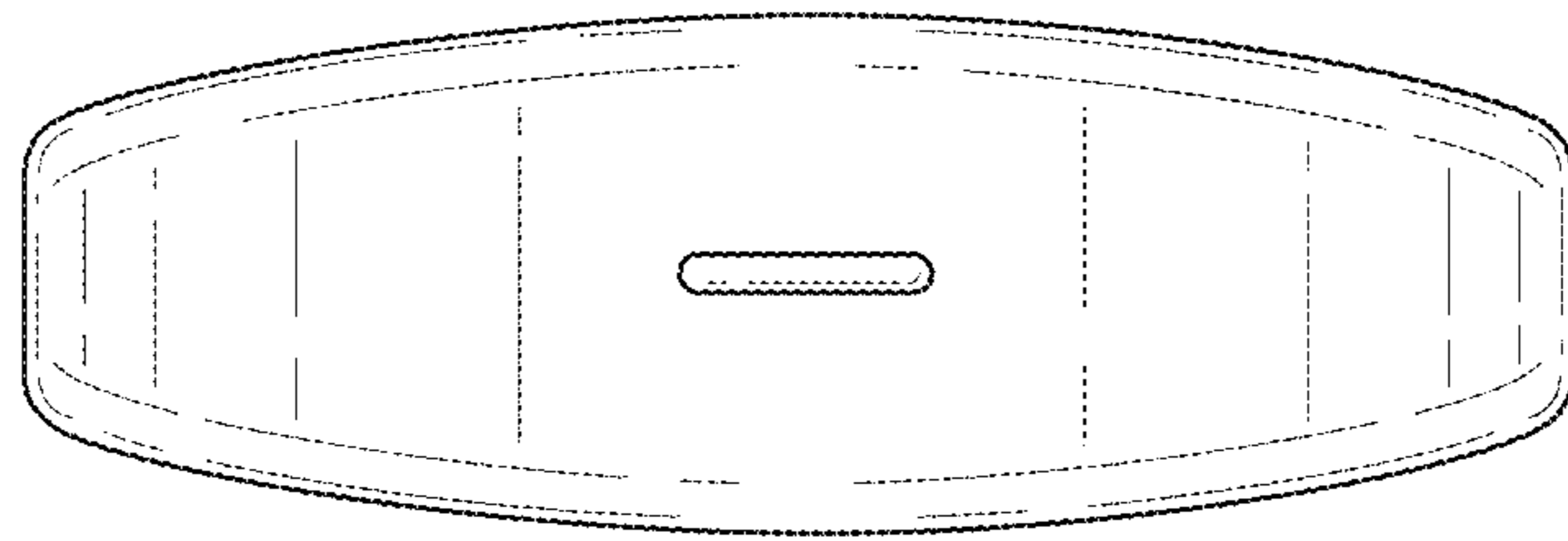


FIG. 5

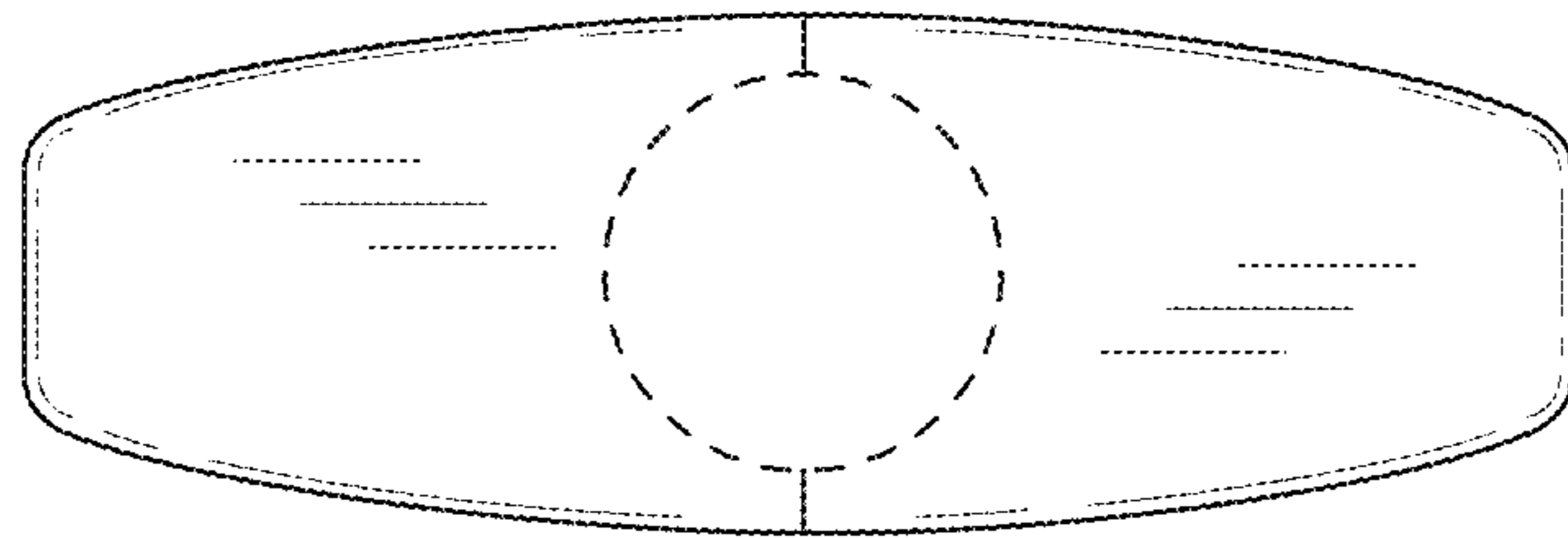


FIG. 6

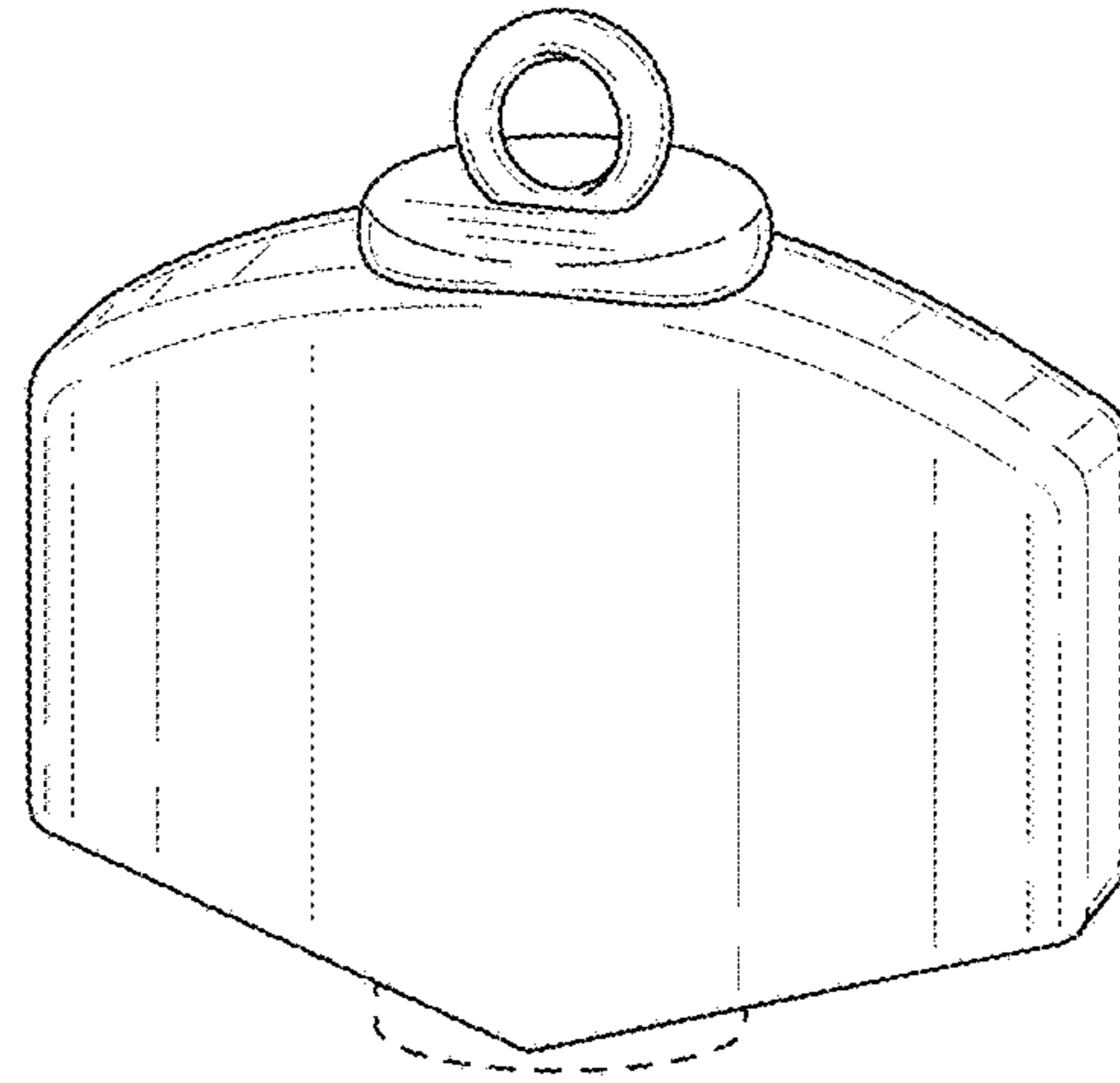


FIG. 7

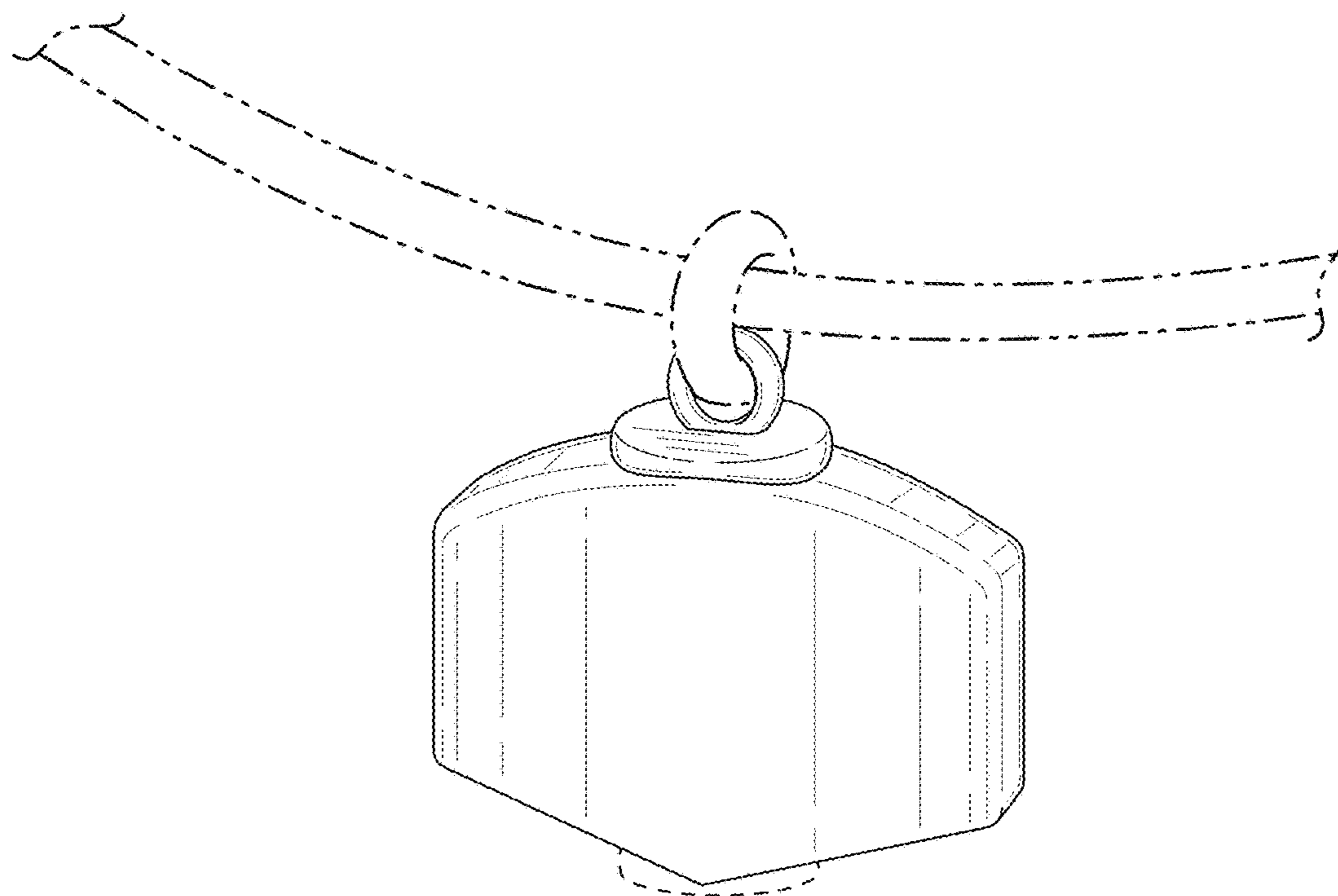


FIG. 8

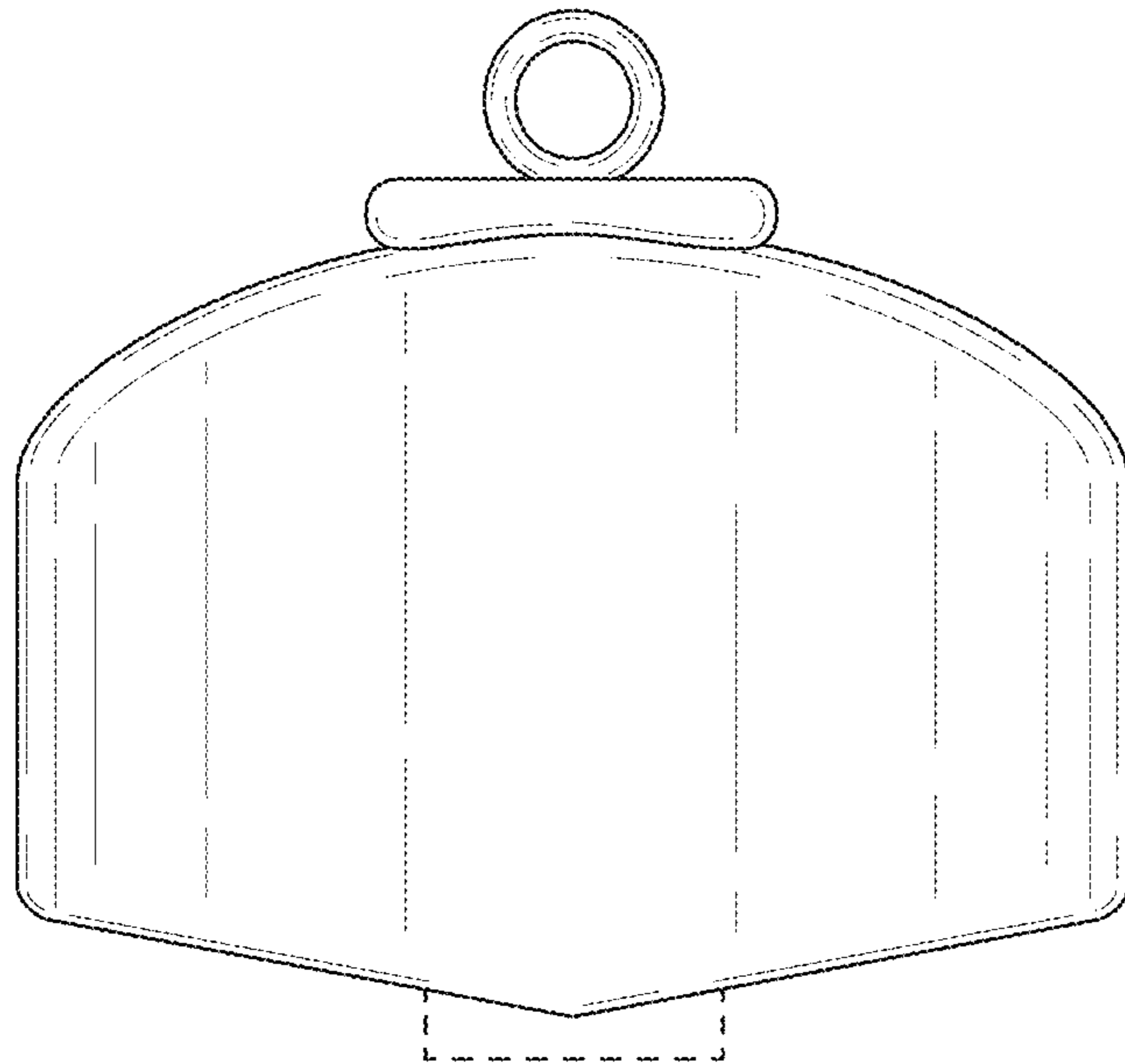


FIG. 9

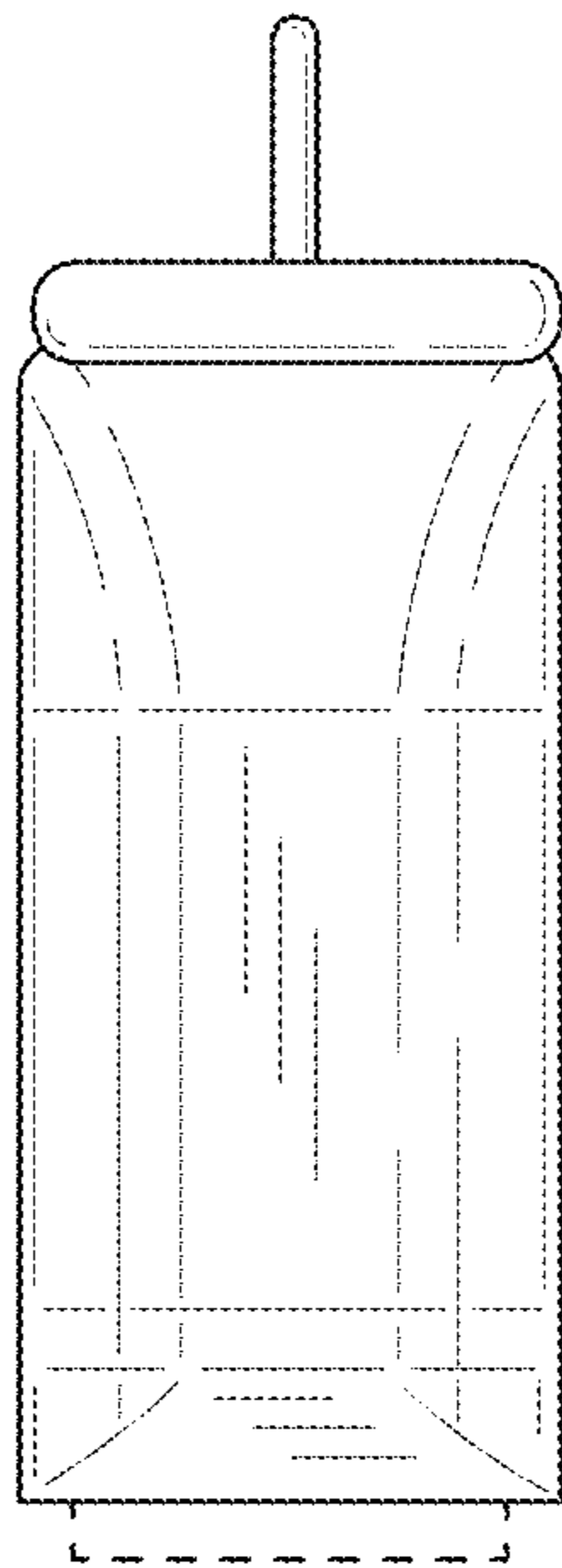


FIG. 10

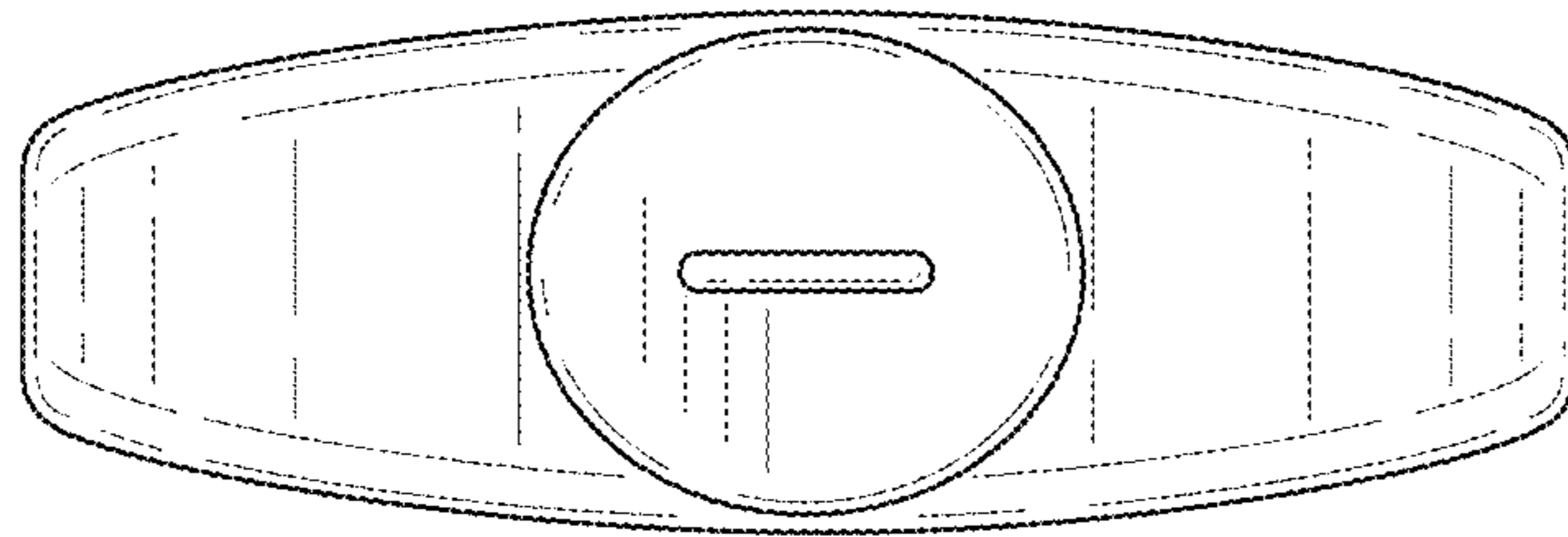


FIG. 11

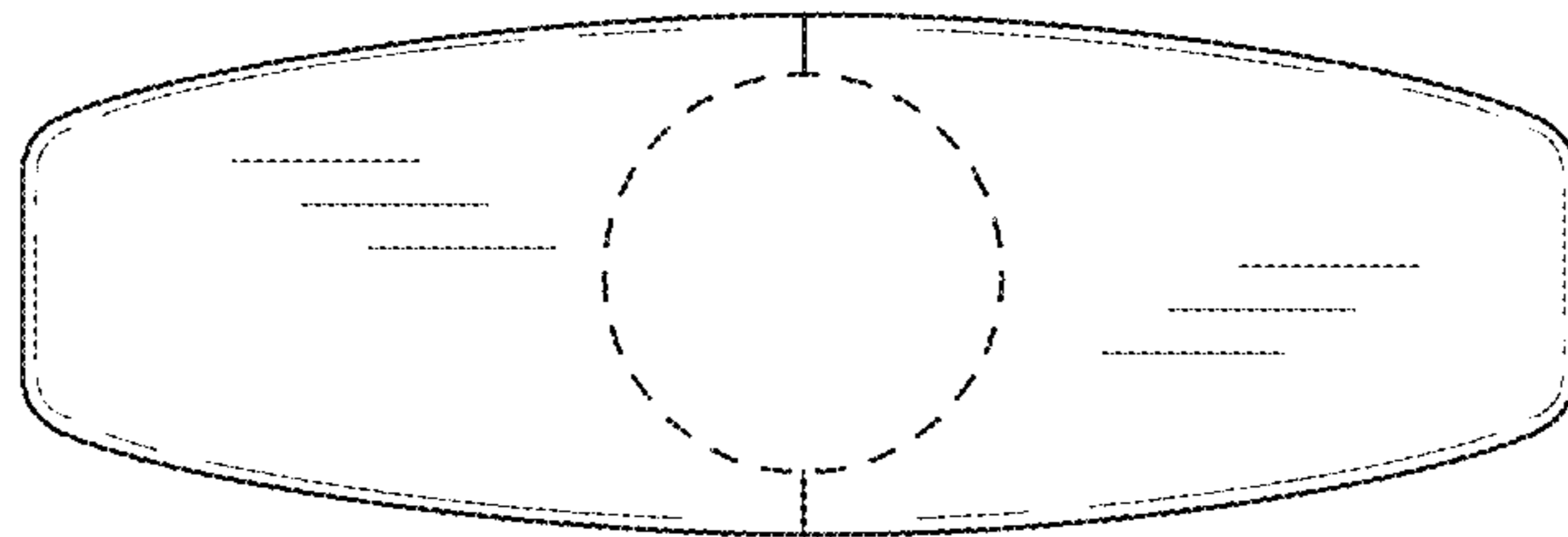


FIG. 12

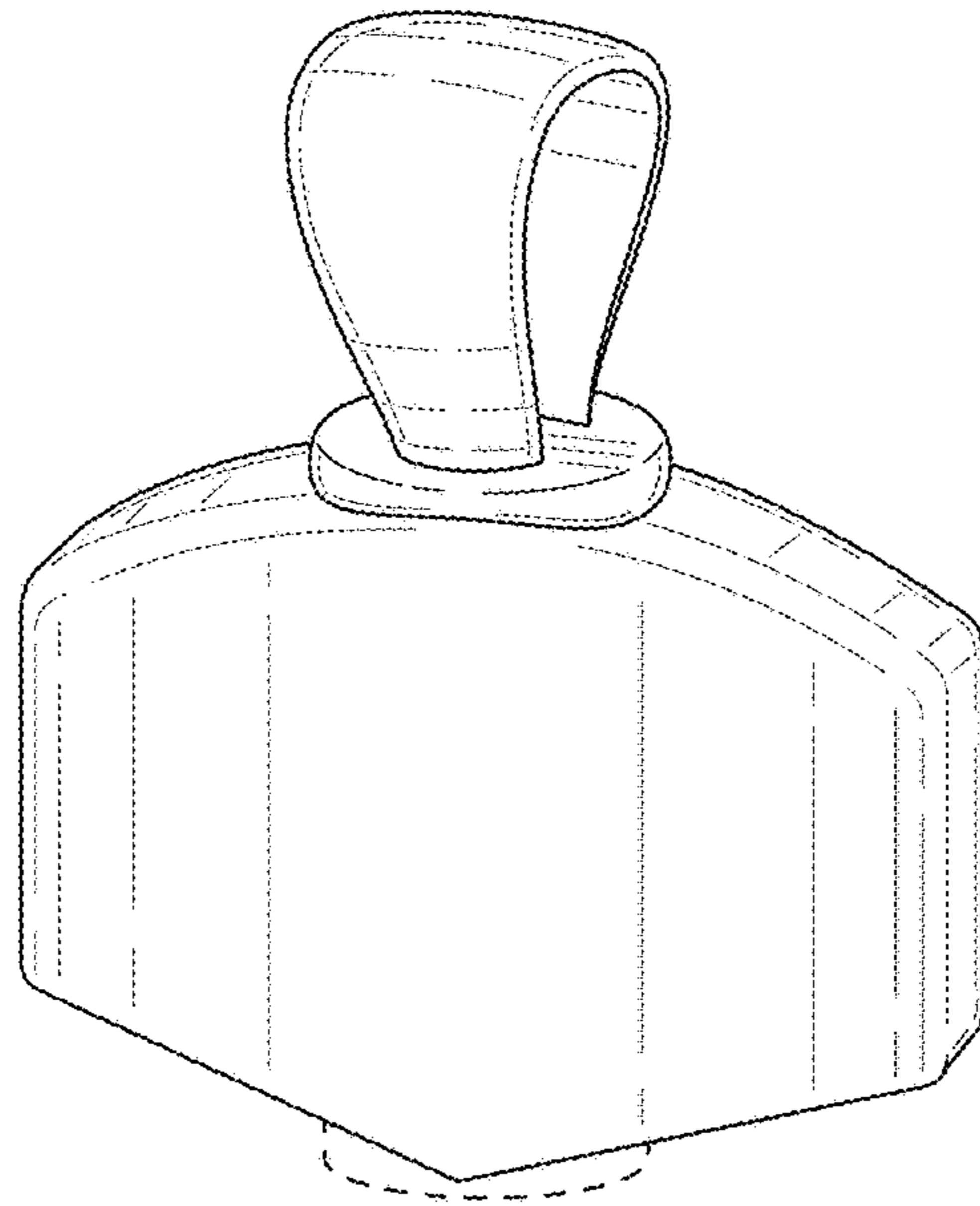


FIG. 13

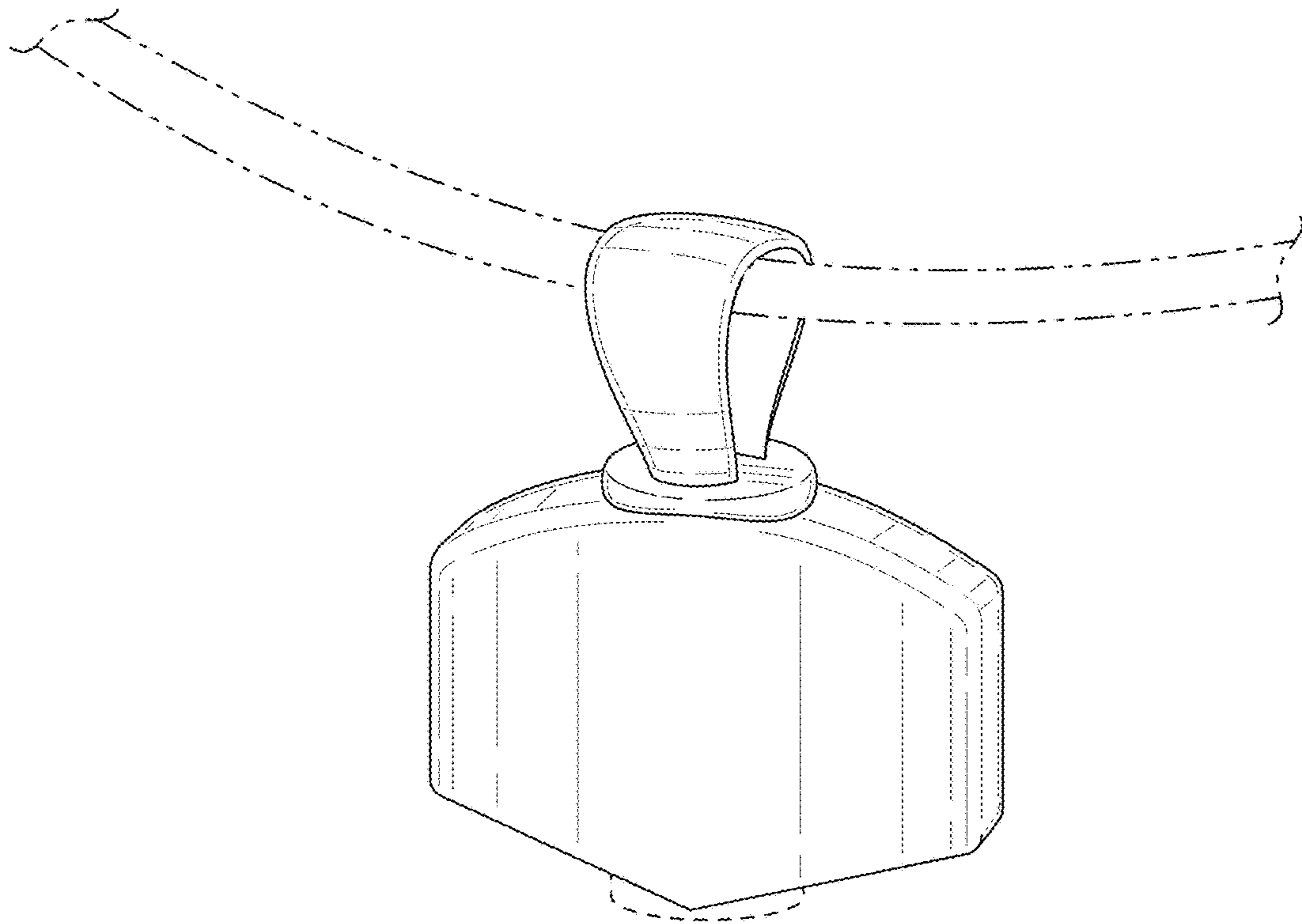


FIG. 14

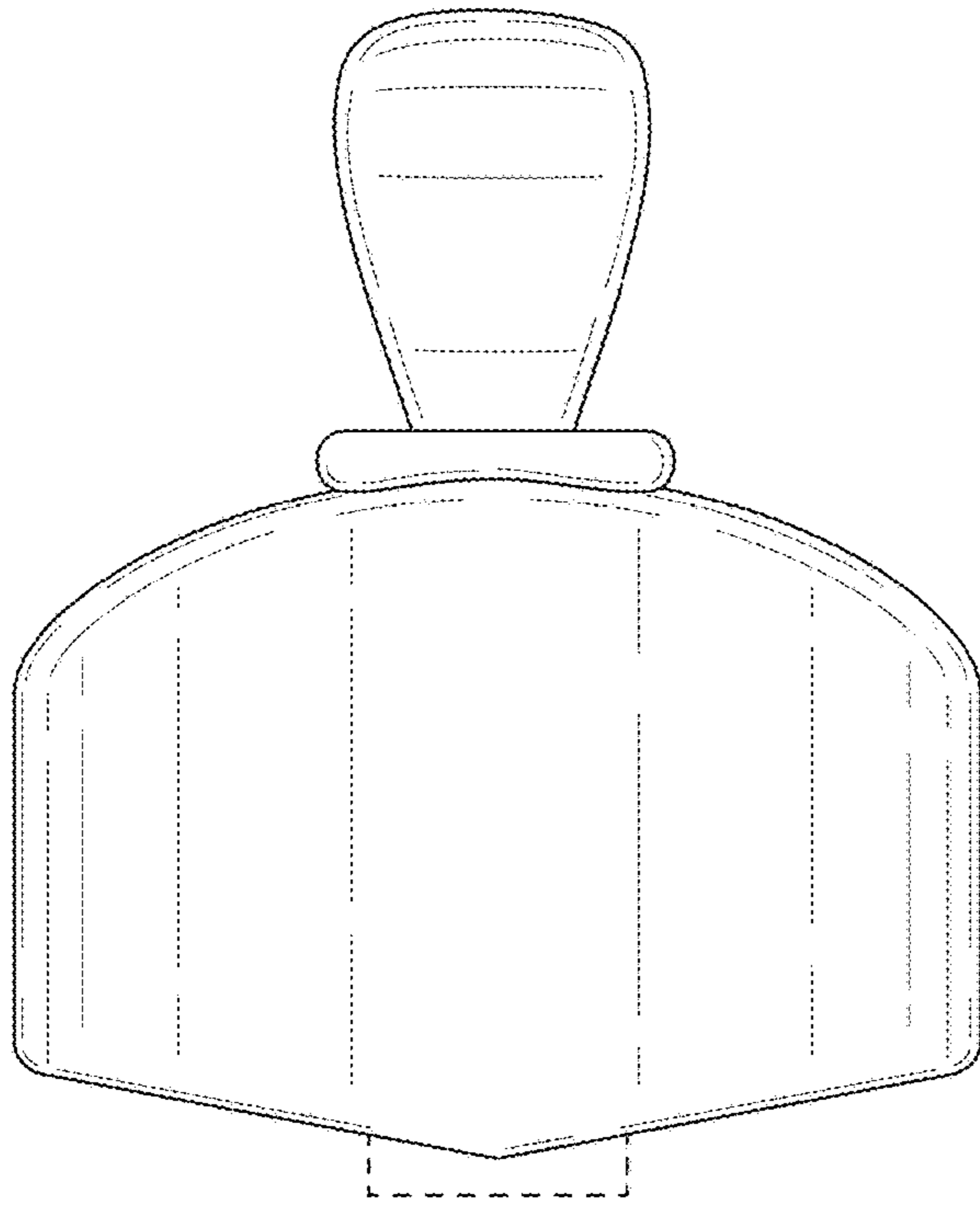


FIG. 15

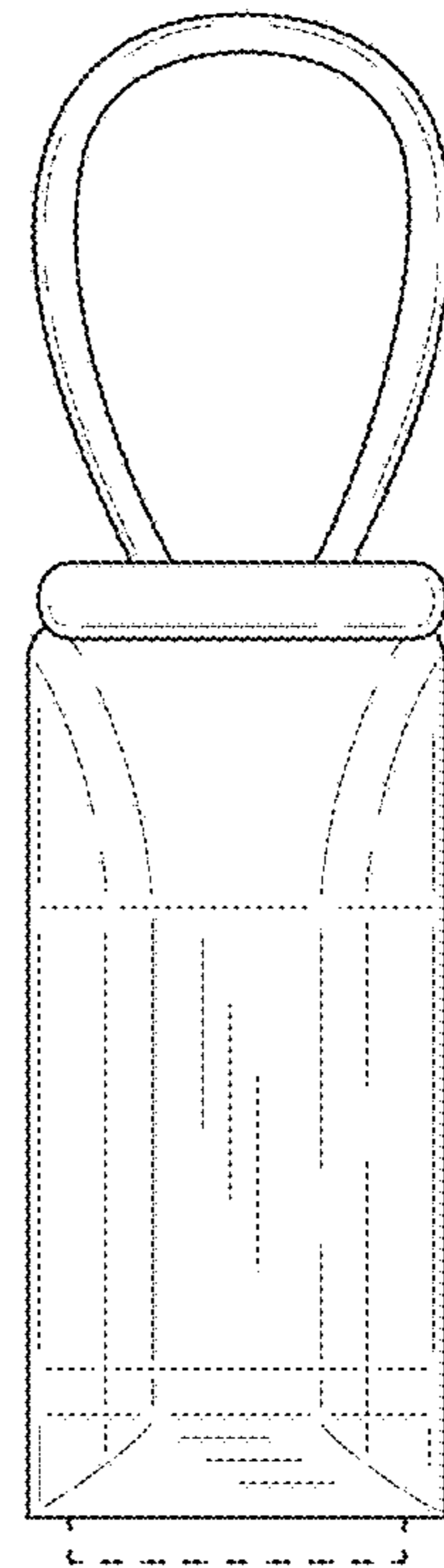


FIG. 16

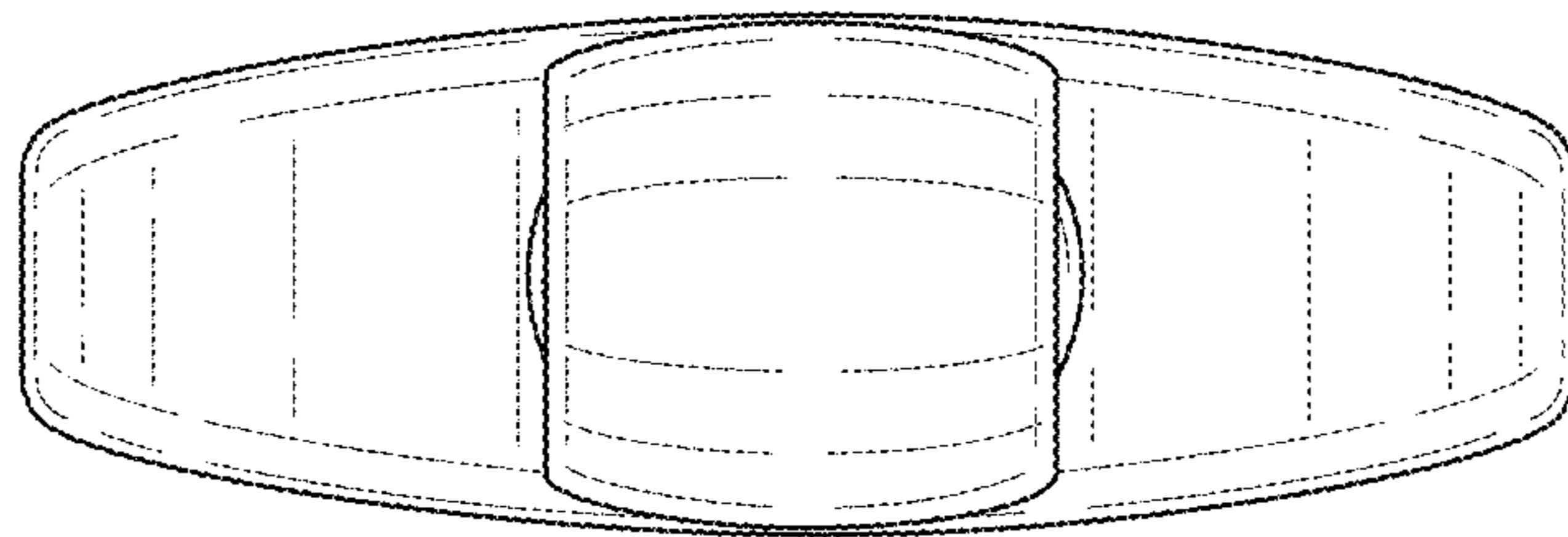


FIG. 17

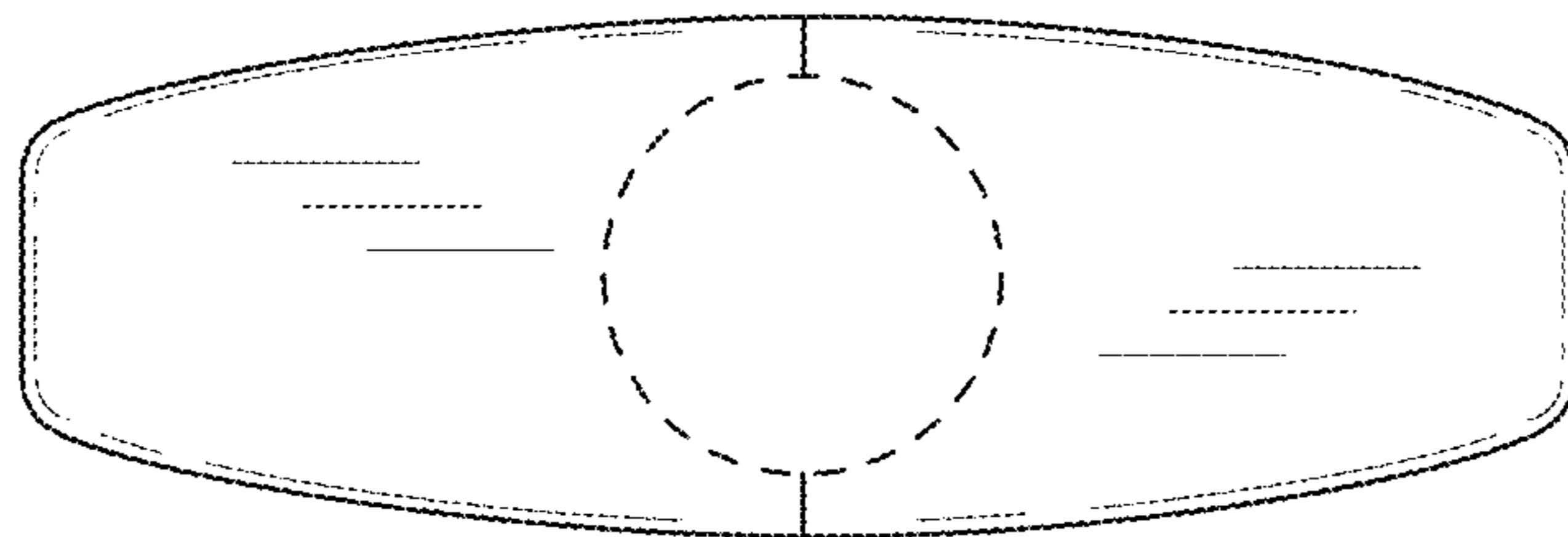


FIG. 18

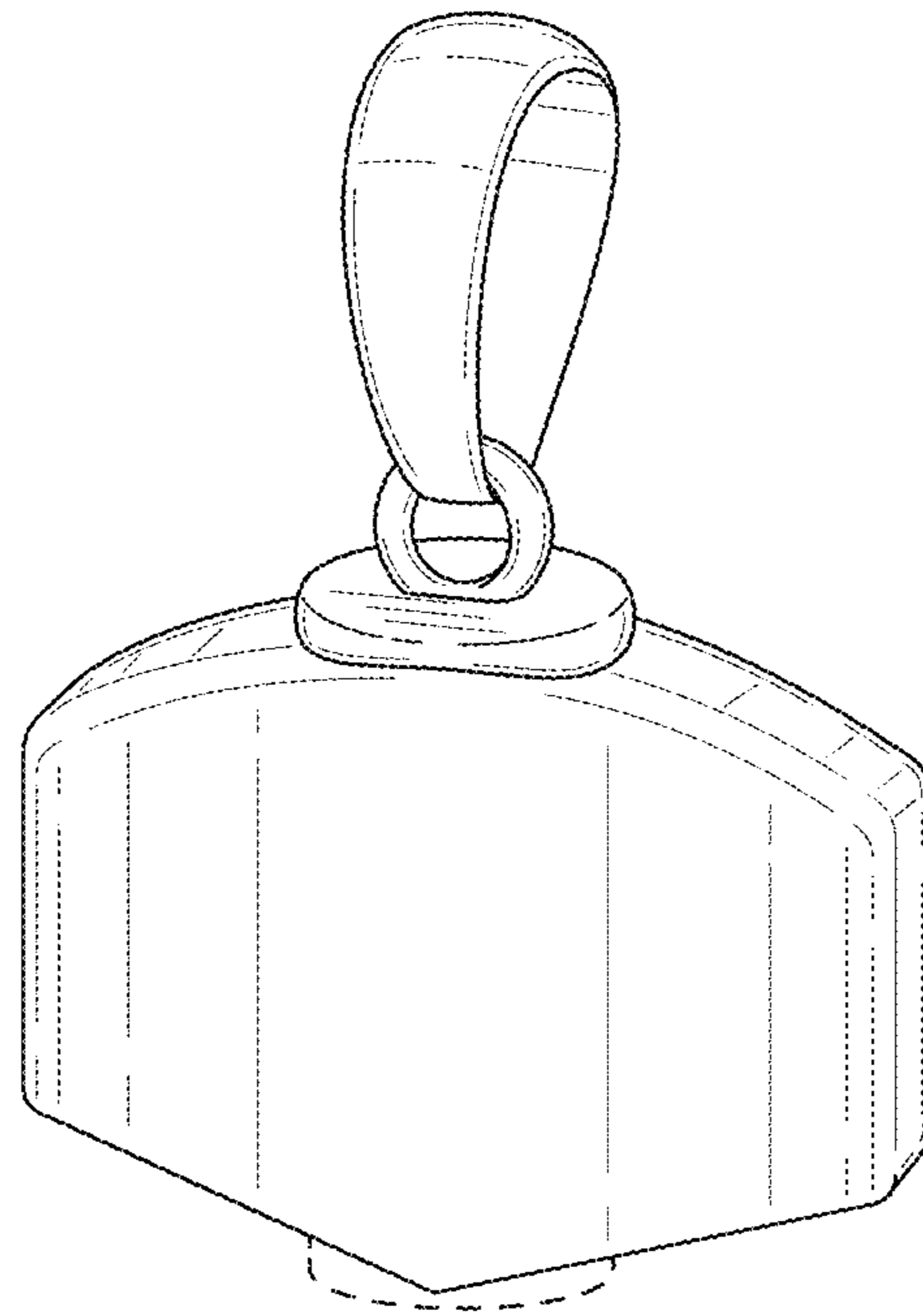


FIG. 19

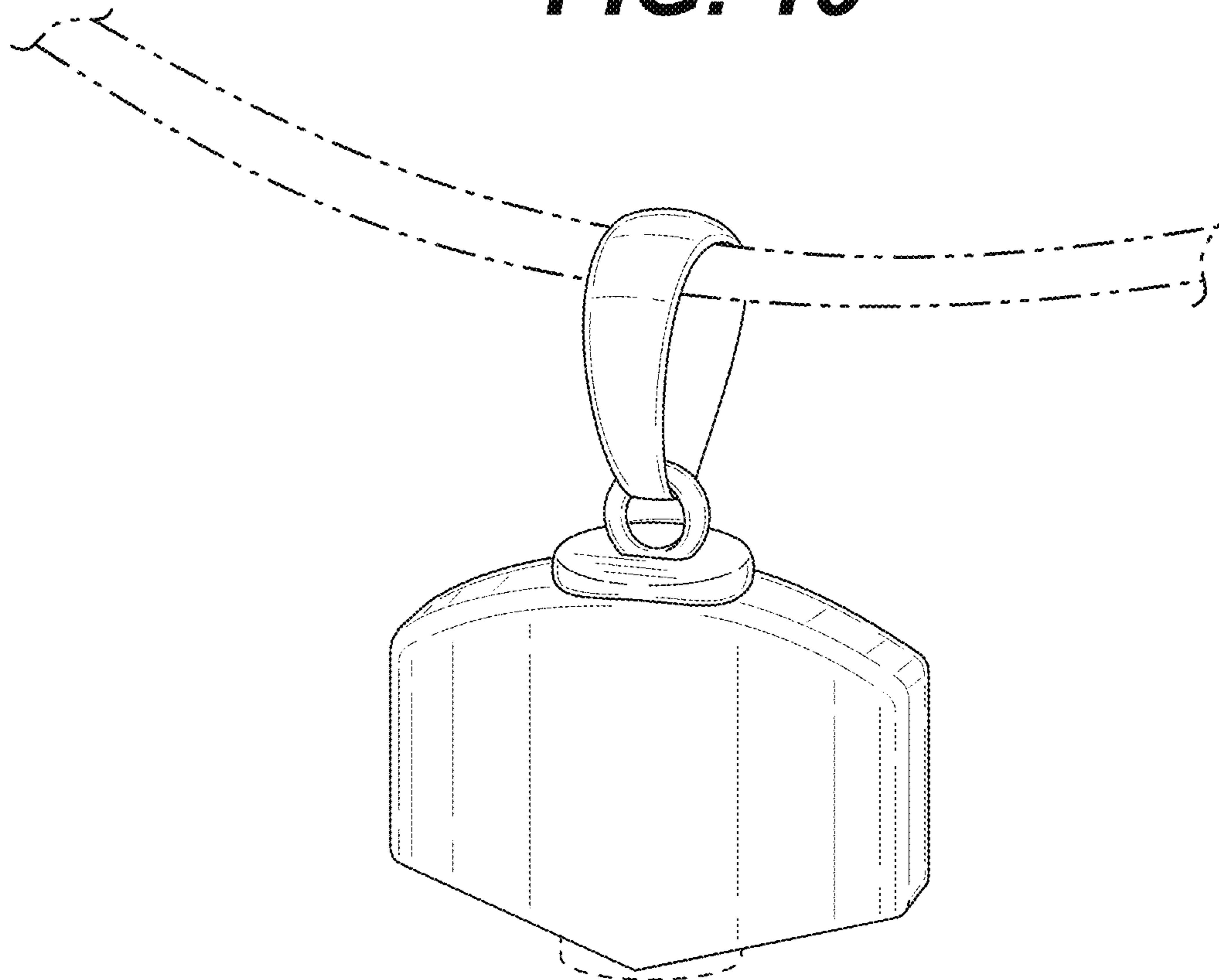


FIG. 20

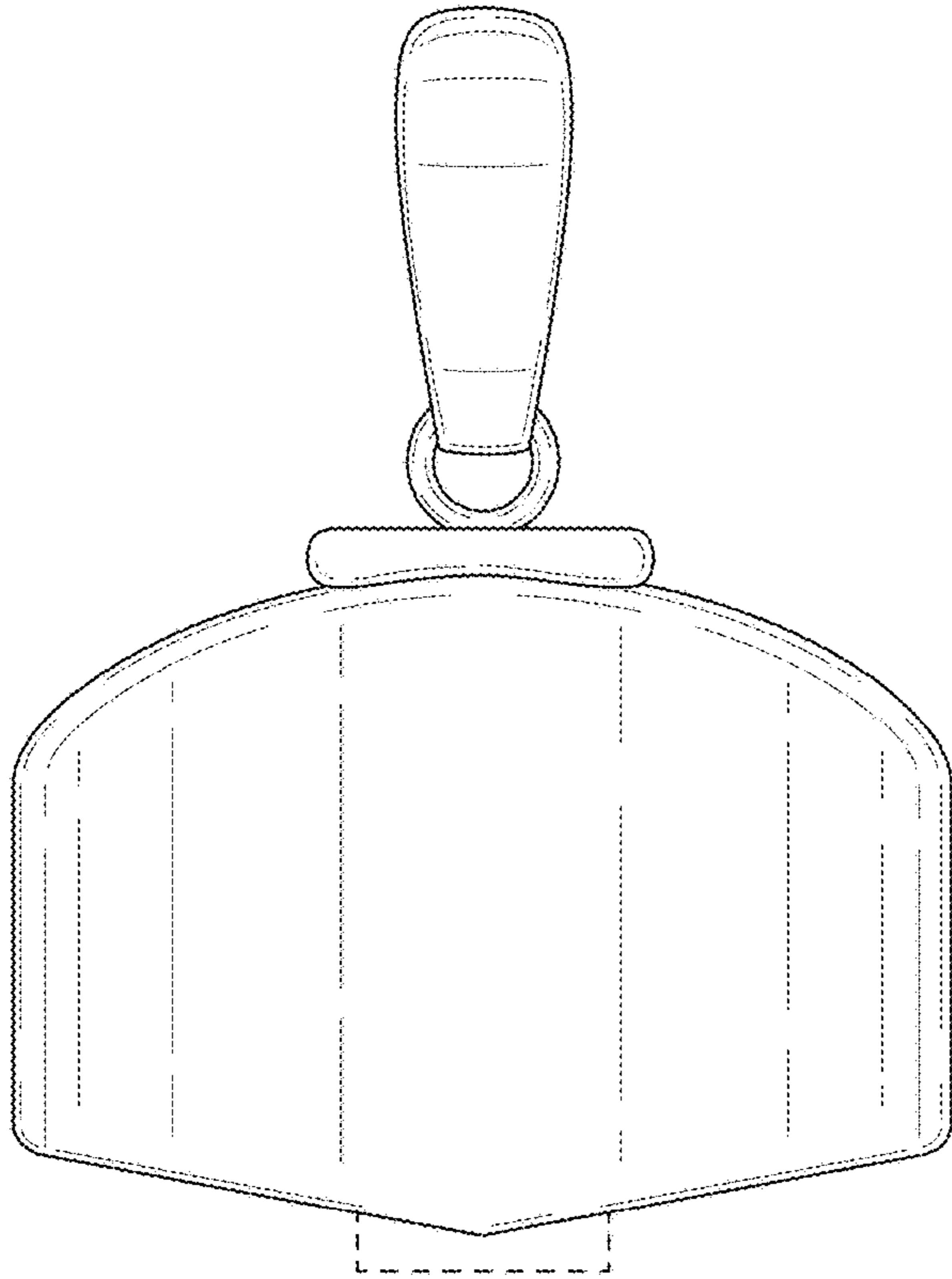


FIG. 21

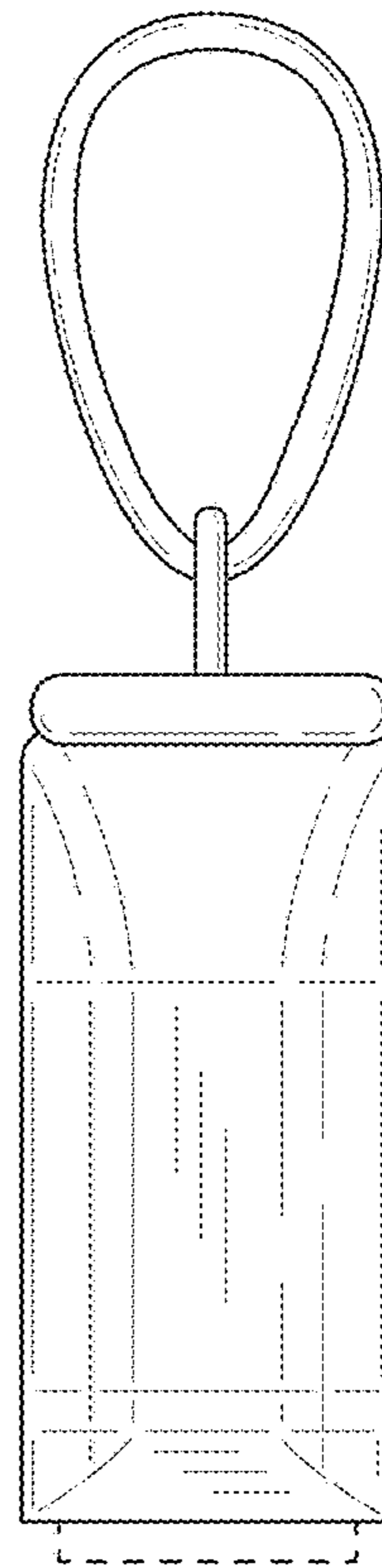


FIG. 22

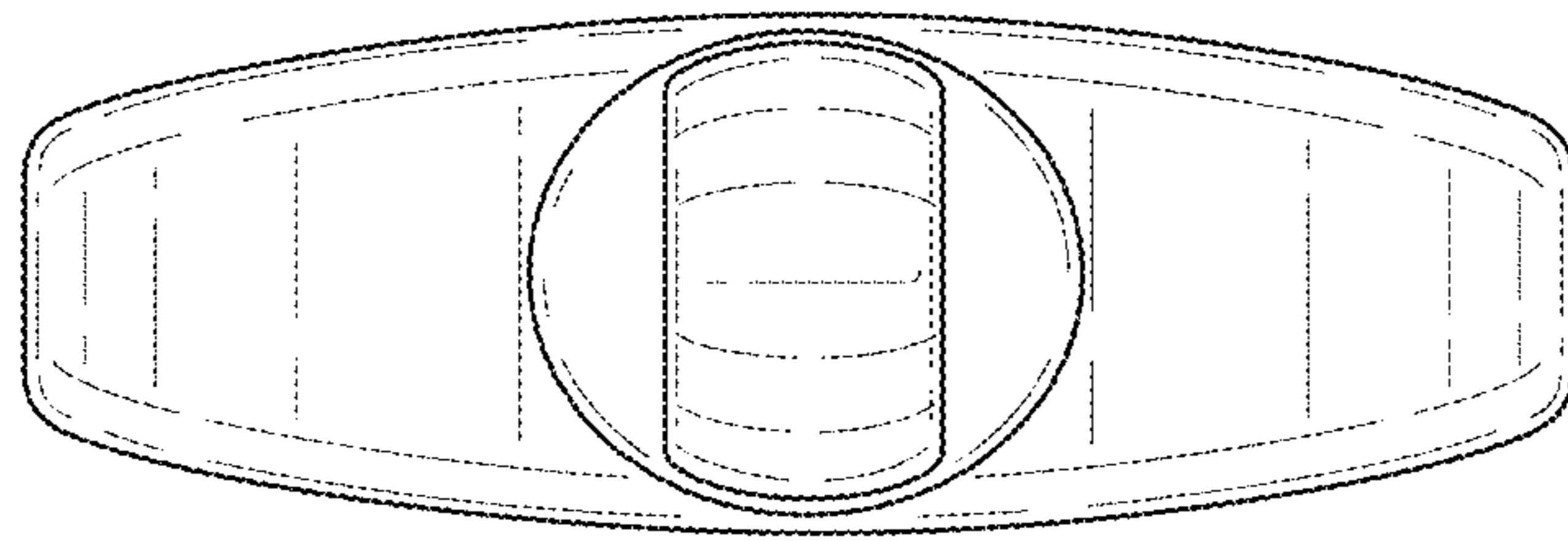


FIG. 23

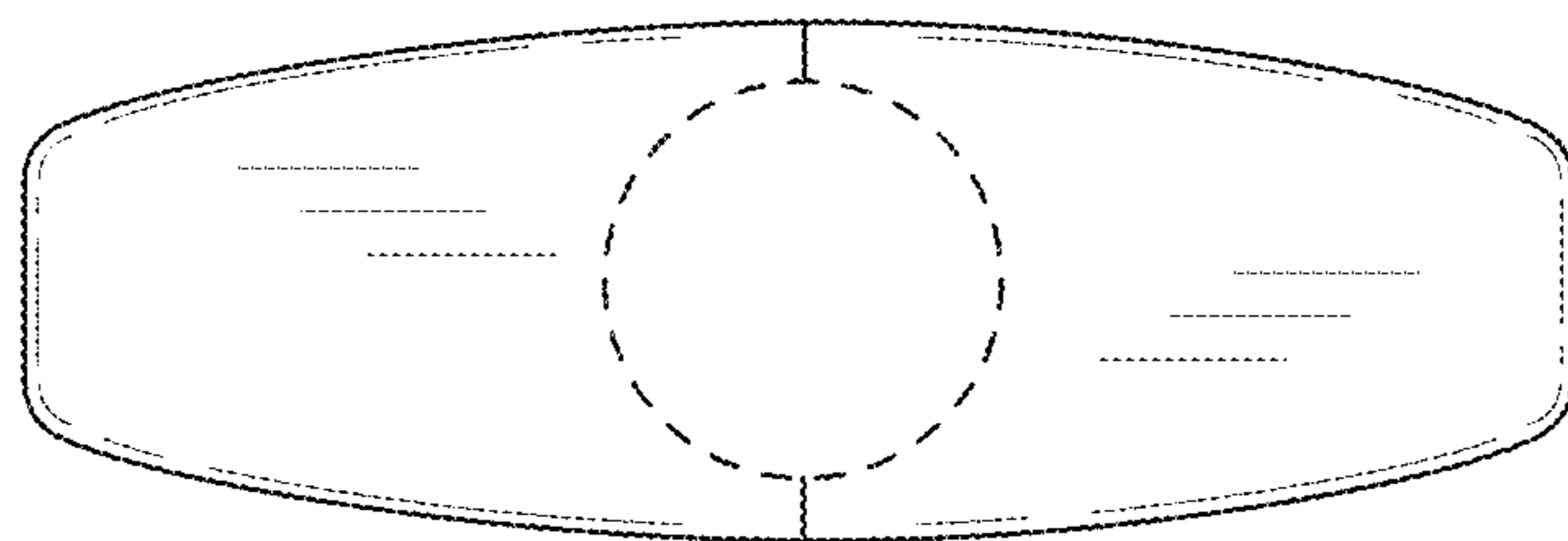


FIG. 24