



US00D810609S

(12) **United States Design Patent**  
**Heller**

(10) **Patent No.:** **US D810,609 S**

(45) **Date of Patent:** **\*\* Feb. 20, 2018**

(54) **RECTANGULAR JEWELRY ENHANCER**

(71) Applicant: **Jacqueline Heller**, Los Angeles, CA  
(US)

(72) Inventor: **Jacqueline Heller**, Los Angeles, CA  
(US)

(\*\*) Term: **15 Years**

(21) Appl. No.: **29/597,390**

(22) Filed: **Mar. 16, 2017**

(51) **LOC (11) Cl.** ..... **11-01**

(52) **U.S. Cl.**  
USPC ..... **D11/79; D11/1; D11/43**

(58) **Field of Classification Search**

USPC ..... D11/1, 2-8, 26, 40-45, 79-87, 95, 97,  
D11/200, 202, 210, 213, 228, 238, 223  
CPC .... A44C 1/00; A44C 3/00; A44C 5/00; A44C  
5/0007; A44C 5/0015; A44C 5/0023;  
A44C 5/003; A44C 5/0084; A44C 5/02;  
A44C 5/022; A44C 5/025; A44C 5/027;  
A44C 7/00; A44C 7/002; A44C 7/003;  
A44C 7/004; A44C 7/005; A44C 9/00;  
A44C 11/00; A44C 11/002; A44C 11/005;  
A44C 11/007; A44C 15/001; A44C  
15/0025; A44C 15/003; A44C 15/005;  
A44C 15/0055; A44C 25/00; A44C  
25/001; A44C 25/007

See application file for complete search history.

(56) **References Cited**

**U.S. PATENT DOCUMENTS**

1,412,011 A \* 4/1922 Bohm ..... A44B 15/00  
24/3.6  
D115,719 S \* 7/1939 Miller et al. .... D11/200  
D127,740 S \* 6/1941 Montmartin ..... D11/202  
2,941,213 A \* 6/1960 Eliasberg ..... A44B 6/00  
2/154

D279,463 S \* 7/1985 Barr ..... D11/56  
D355,867 S \* 2/1995 Kelman ..... D11/91  
D403,618 S \* 1/1999 Fildan ..... D11/210  
D488,371 S \* 4/2004 Shaljian ..... D8/354  
D492,188 S \* 6/2004 Goldberg ..... D8/356  
D575,654 S \* 8/2008 Maier ..... D11/3  
D575,655 S \* 8/2008 Maier ..... D11/3  
D595,177 S \* 6/2009 Strauzer ..... D11/79  
D658,528 S \* 5/2012 Rafaelian ..... D11/3  
D658,531 S \* 5/2012 Nazarenko ..... D11/79  
D659,046 S \* 5/2012 Papadimitriou ..... D11/79

(Continued)

**OTHER PUBLICATIONS**

[Online] <http://i.ebayimg.com/images/i/190953324713-0-1/s-I1000.jpg>. Retrieved Nov. 19, 2017.\*

*Primary Examiner* — Melanie Pellegrini

(74) *Attorney, Agent, or Firm* — Peer & Hart, PC; David M. Peer

(57) **CLAIM**

The ornamental design for a rectangular jewelry enhancer, as shown and described.

**DESCRIPTION**

FIG. 1 is a front and right side perspective view of a rectangular jewelry enhancer.

FIG. 2 is a front view of a rectangular jewelry enhancer.

FIG. 3 is a rear view of a rectangular jewelry enhancer.

FIG. 4 is a left side view of a rectangular jewelry enhancer.

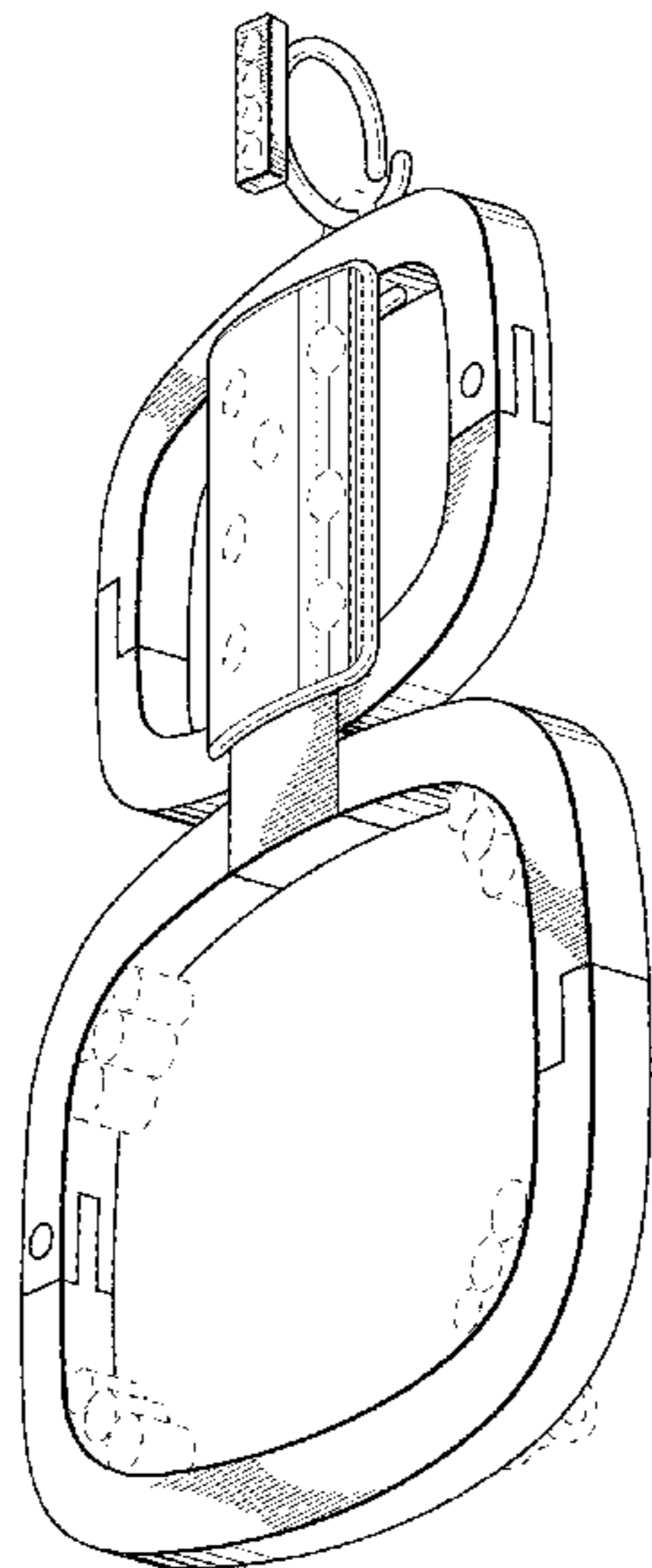
FIG. 5 is a right side view of a rectangular jewelry enhancer.

FIG. 6 is a top view of a rectangular jewelry enhancer; and,

FIG. 7 is a bottom view of a rectangular jewelry enhancer.

The broken lines shown in the drawings illustrate portions of the rectangular jewelry enhancer that form no part of the claimed design.

**1 Claim, 3 Drawing Sheets**



(56)

**References Cited**

U.S. PATENT DOCUMENTS

D720,647 S \* 1/2015 Kwon ..... A44C 13/00  
D11/43  
D772,752 S \* 11/2016 Weems ..... D11/79  
D774,122 S \* 12/2016 Ganovsky ..... D16/101  
9,521,881 B2 \* 12/2016 Bachtold ..... A44B 11/04  
D775,545 S \* 1/2017 Weems ..... D11/79  
D783,443 S \* 4/2017 Bresser ..... D11/1

\* cited by examiner

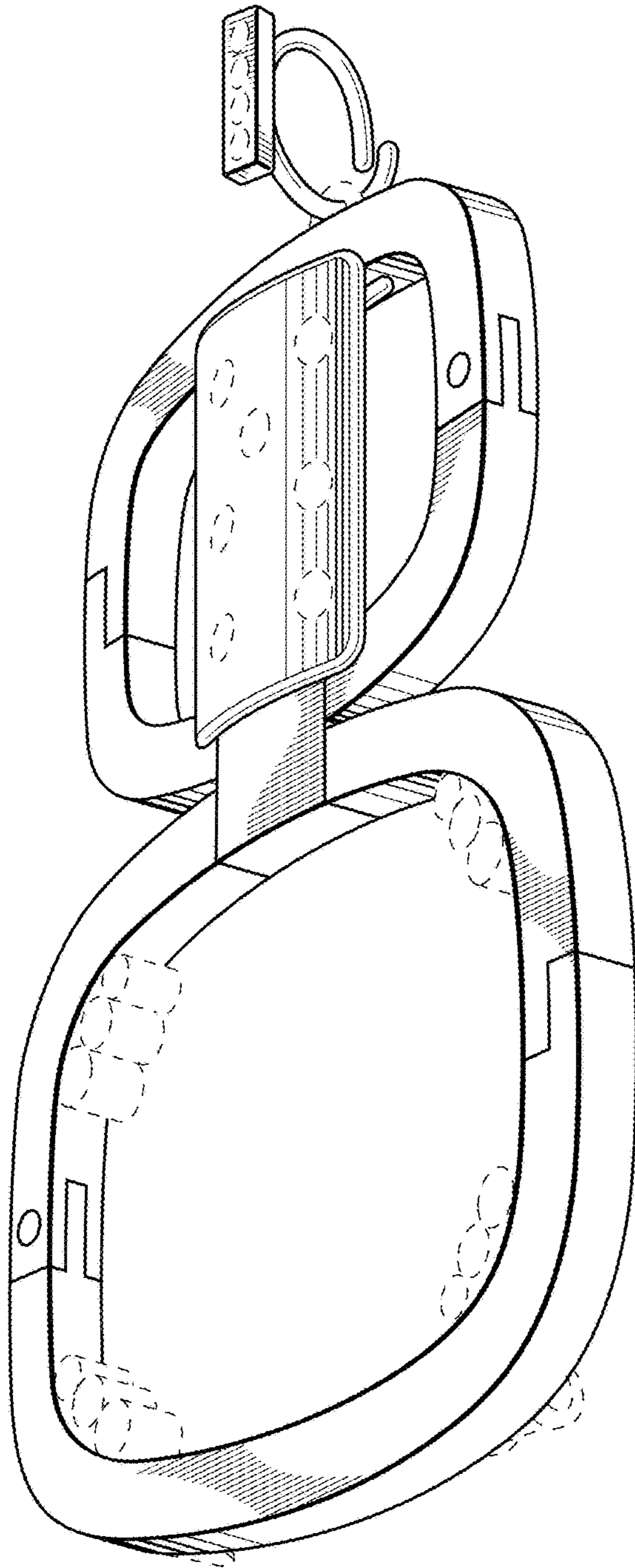


FIG. 1

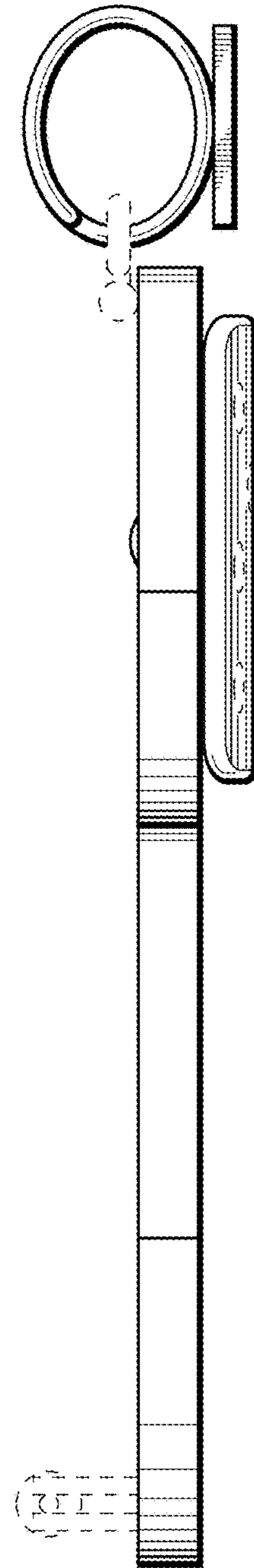


FIG. 4

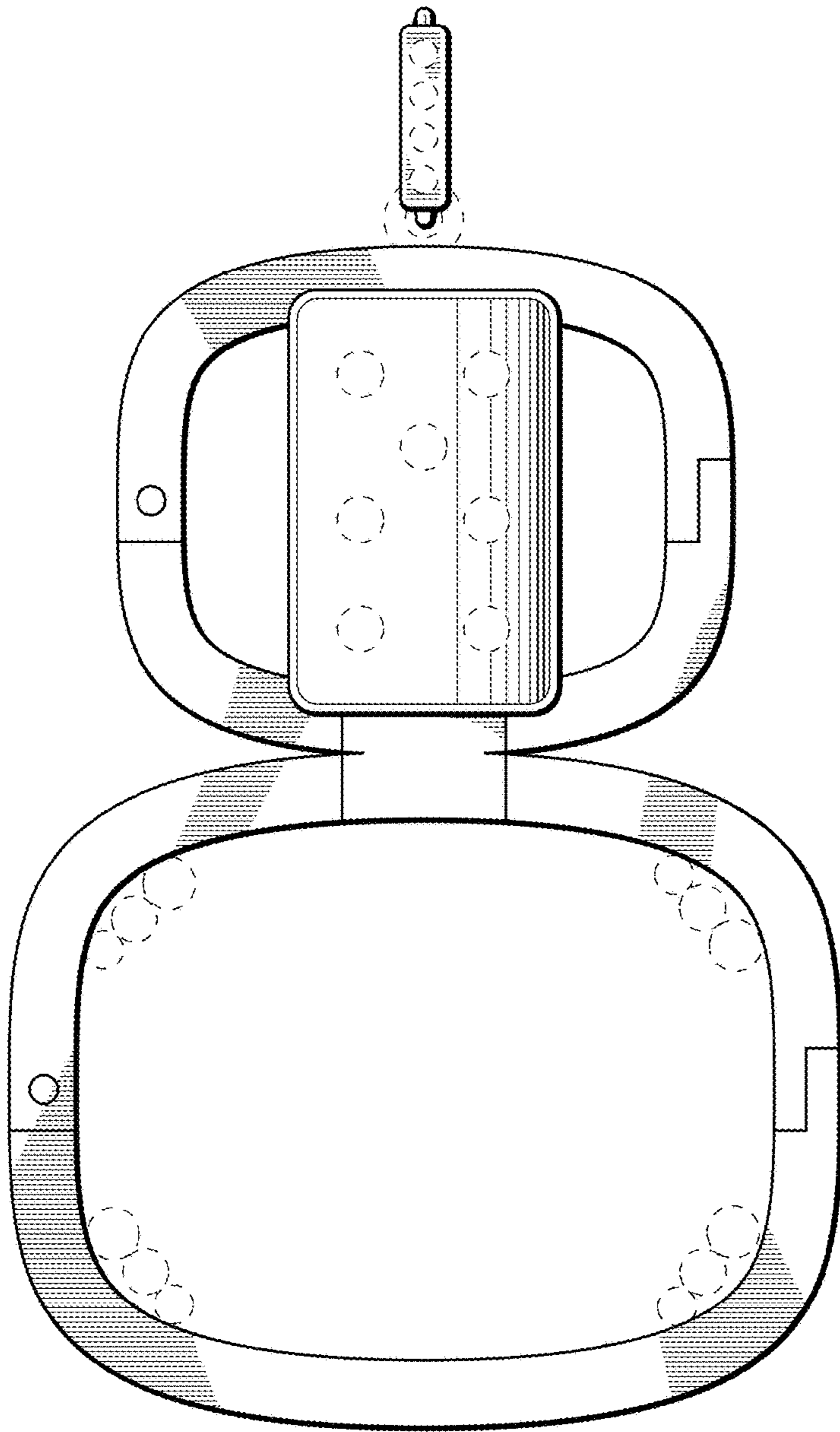


FIG. 2

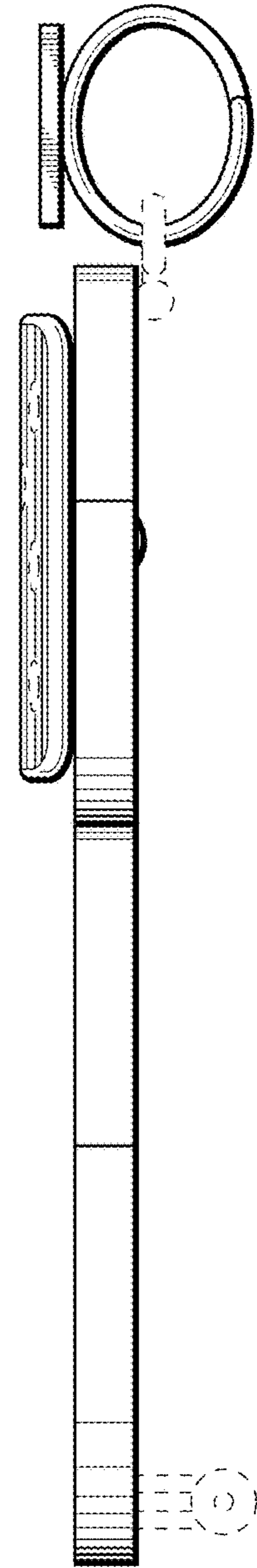


FIG. 5

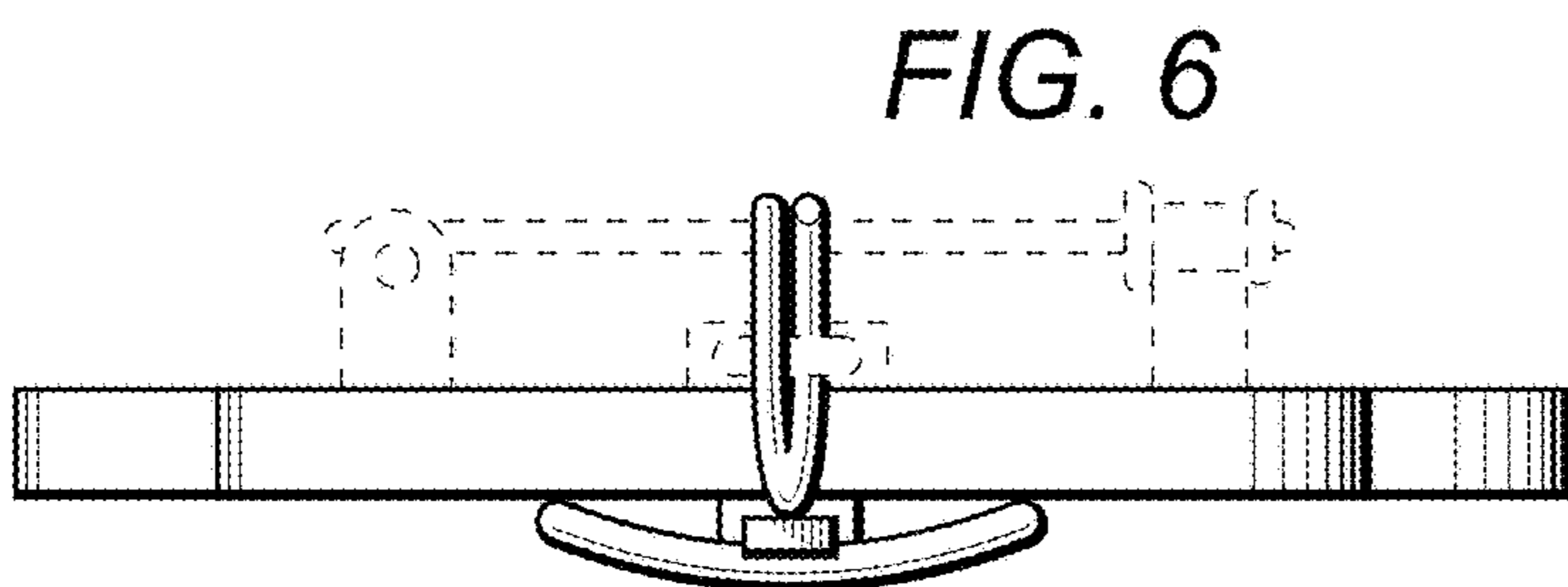


FIG. 6

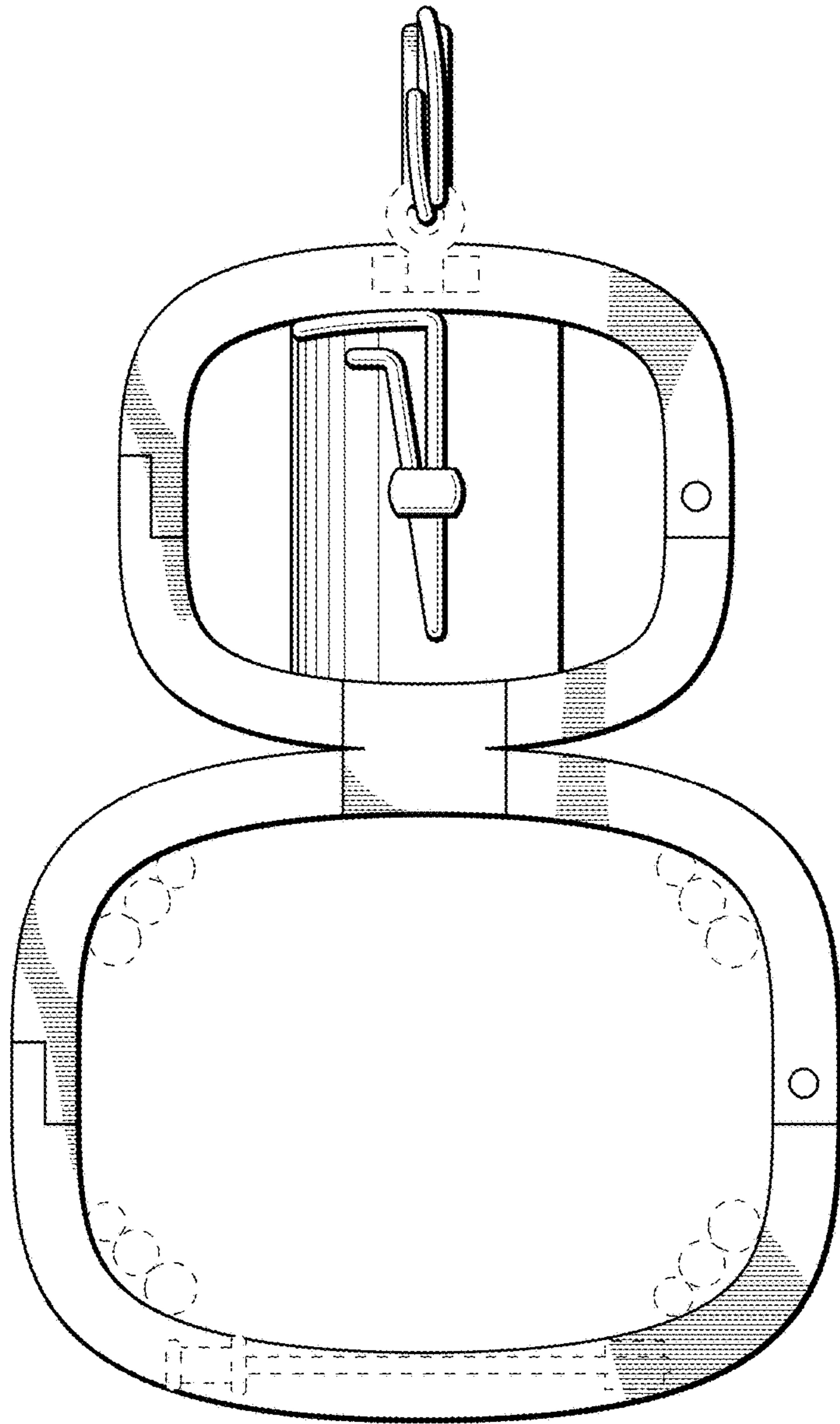


FIG. 3

FIG. 7

