



US00D810608S

(12) **United States Design Patent** (10) **Patent No.:** **US D810,608 S**
Heller (45) **Date of Patent:** **** Feb. 20, 2018**

(54) **CIRCULAR JEWELRY ENHANCER**

(71) Applicant: **Jacqueline Heller**, Los Angeles, CA
(US)

(72) Inventor: **Jacqueline Heller**, Los Angeles, CA
(US)

(**) Term: **15 Years**

(21) Appl. No.: **29/597,386**

(22) Filed: **Mar. 16, 2017**

(51) **LOC (11) Cl.** **11-01**

(52) **U.S. Cl.**

USPC **D11/79**; D11/1; D11/43

(58) **Field of Classification Search**

USPC D11/1, 2-8, 26, 40-45, 79-87, 95, 97,
D11/200, 202, 210, 213, 228, 238, 223

CPC A44C 1/00; A44C 3/00; A44C 5/00; A44C
5/0007; A44C 5/0015; A44C 5/0023;
A44C 5/003; A44C 5/0084; A44C 5/02;
A44C 5/022; A44C 5/025; A44C 5/027;
A44C 7/00; A44C 7/002; A44C 7/003;
A44C 7/004; A44C 7/005; A44C 9/00;
A44C 11/00; A44C 11/002; A44C 11/005;
A44C 11/007; A44C 15/001; A44C
15/0025; A44C 15/003; A44C 15/005;
A44C 15/0055; A44C 25/00; A44C
25/001; A44C 25/007

See application file for complete search history.

(56) **References Cited**

U.S. PATENT DOCUMENTS

1,412,011 A * 4/1922 Bohm A44B 15/00
24/3.6
D115,719 S * 7/1939 Miller et al. D11/200
D127,740 S * 6/1941 Montmartin D11/202
2,941,213 A * 6/1960 Eliasberg A44B 6/00
2/154
4,362,031 A * 12/1982 Obermuller A44C 13/00
63/10

D279,463 S * 7/1985 Barr D11/56
D355,867 S * 2/1995 Kelman D11/91
D403,618 S * 1/1999 Fildan D11/210
D488,371 S * 4/2004 Shaljian D8/354
D492,188 S * 6/2004 Goldberg D8/356
D575,654 S * 8/2008 Maier D11/3
D575,655 S * 8/2008 Maier D11/3
D595,177 S * 6/2009 Strauzer D11/79
D658,528 S * 5/2012 Rafaelian D11/3
D658,531 S * 5/2012 Nazarenko D11/79
D659,046 S * 5/2012 Papadimitriou D11/79
D772,752 S * 11/2016 Weems D11/79
D774,122 S * 12/2016 Ganovsky D16/101

(Continued)

OTHER PUBLICATIONS

[Online] <http://i.ebayimg.com/images/i/190953324713-0-1/s-11000.jpg>. Retrieved Nov. 8, 2017.*

Primary Examiner — Melanie Pellegrini

(74) *Attorney, Agent, or Firm* — Peer & Hart, PC; David M. Peer

(57) **CLAIM**

The ornamental design for a circular jewelry enhancer, as shown and described.

DESCRIPTION

FIG. 1 is a front and right side perspective view of a circular jewelry enhancer.

FIG. 2 is a front view of a circular jewelry enhancer.

FIG. 3 is a rear view of a circular jewelry enhancer.

FIG. 4 is a left side view of a circular jewelry enhancer.

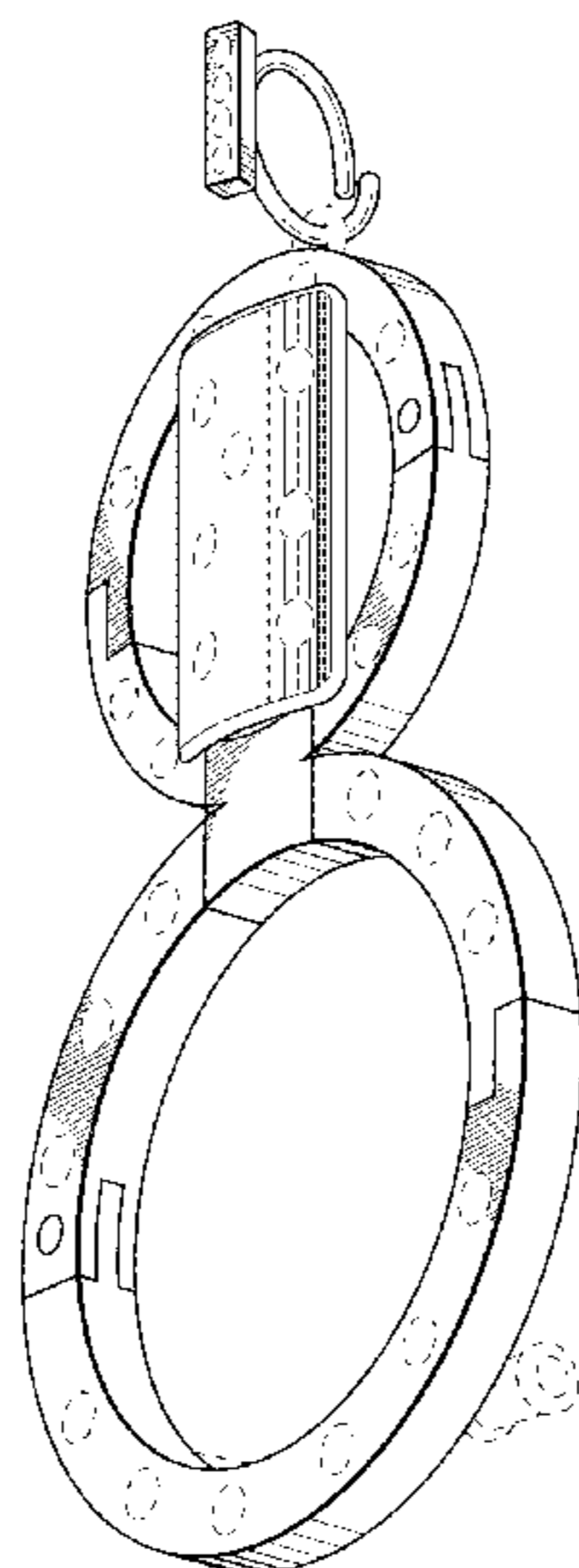
FIG. 5 is a right side view of a circular jewelry enhancer.

FIG. 6 is a top view of a circular jewelry enhancer; and,

FIG. 7 is a bottom view of a circular jewelry enhancer.

The broken lines shown in the drawings illustrate portions of the circular jewelry enhancer that form no part of the claimed design.

1 Claim, 3 Drawing Sheets



(56)

References Cited

U.S. PATENT DOCUMENTS

9,521,881	B2 *	12/2016	Bachtold	A44B 11/04
D775,545	S *	1/2017	Weems	D11/79
D783,443	S *	4/2017	Bresser	D11/1
2013/0199239	A1 *	8/2013	Walker	A44C 15/003
				63/33
2015/0089976	A1 *	4/2015	Alulis	A44C 25/002
				63/21

* cited by examiner

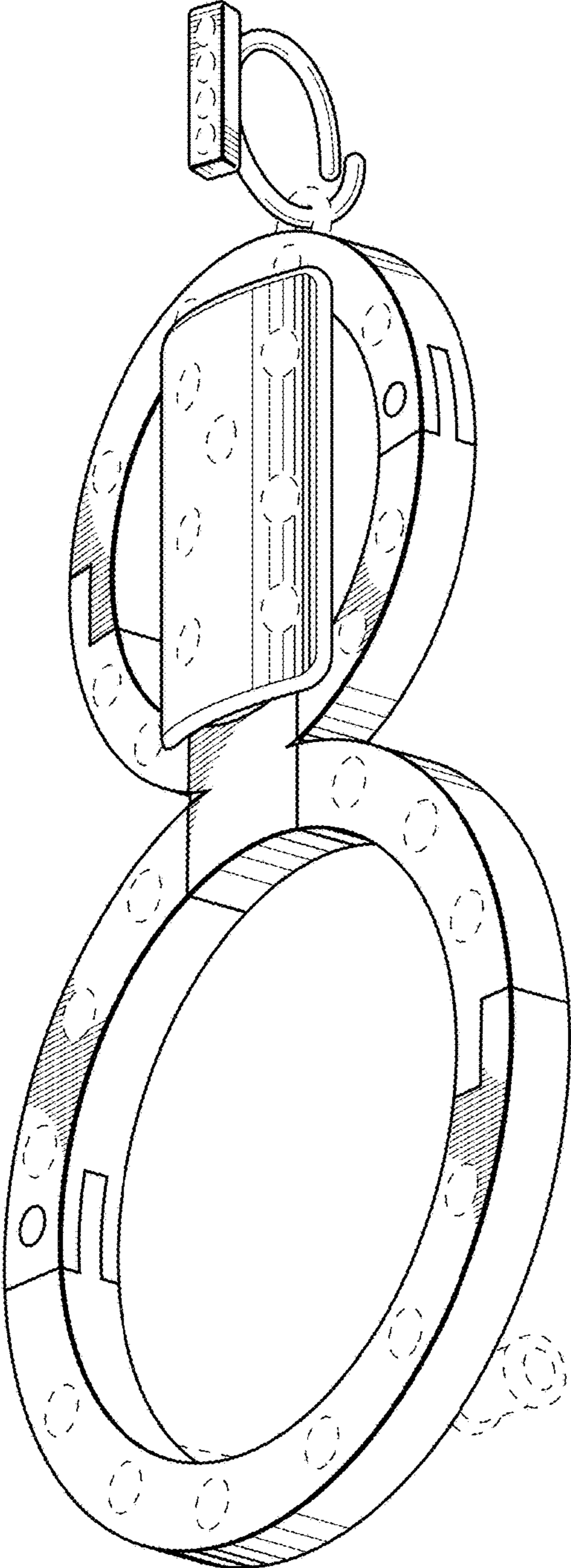


FIG. 1

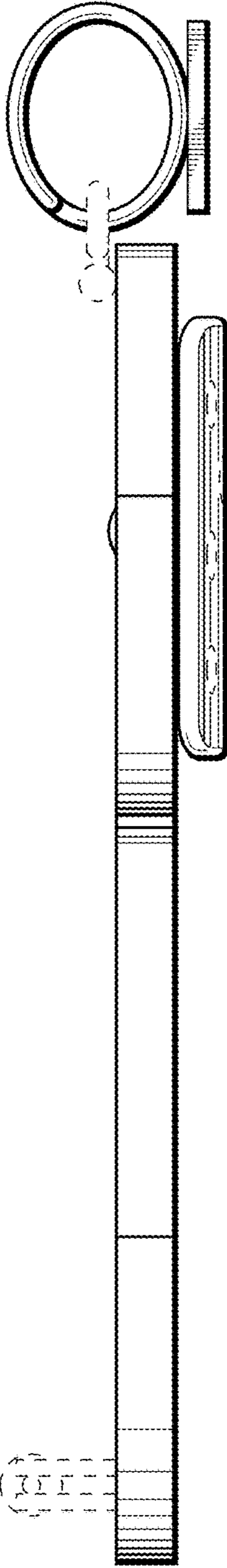


FIG. 4

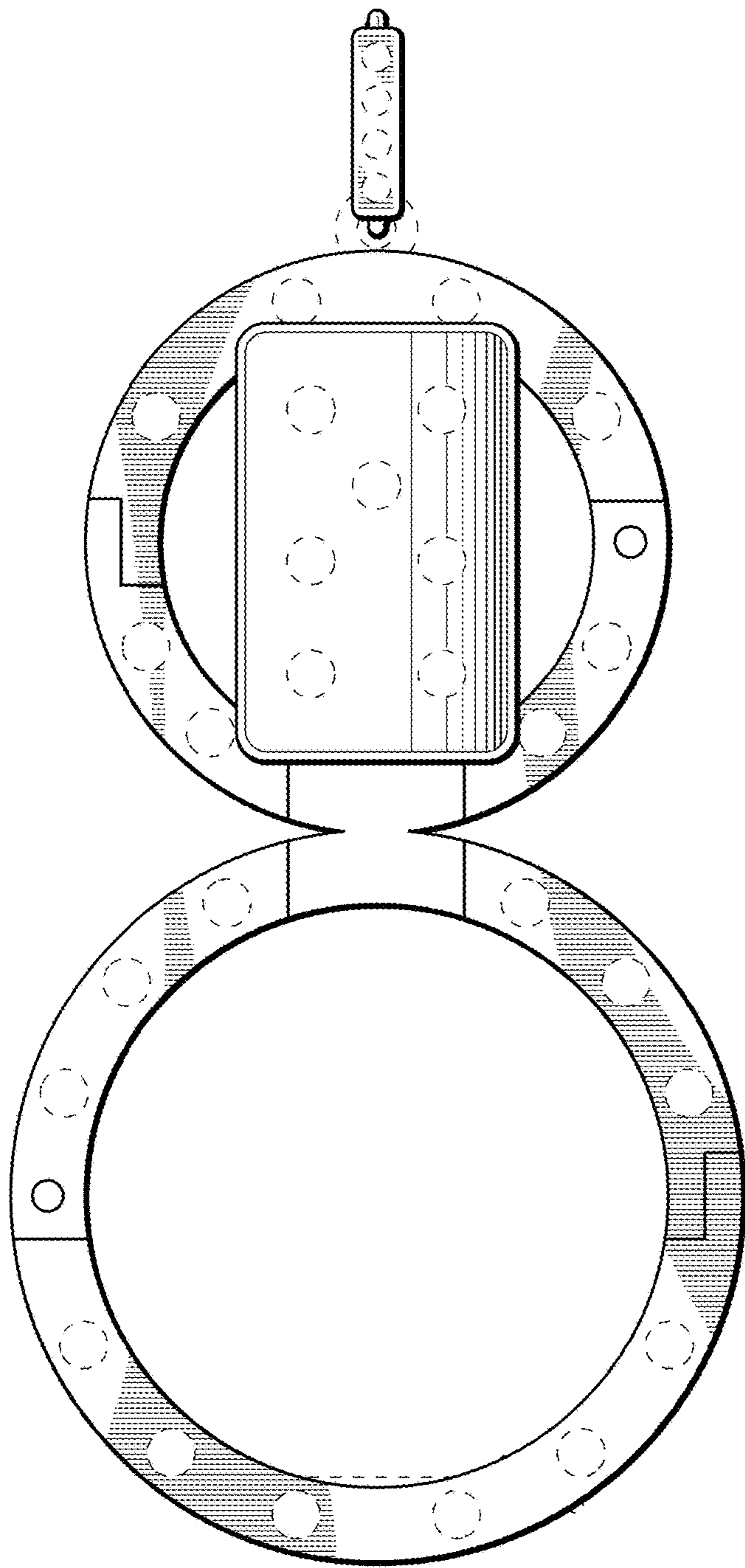


FIG. 2

FIG. 6

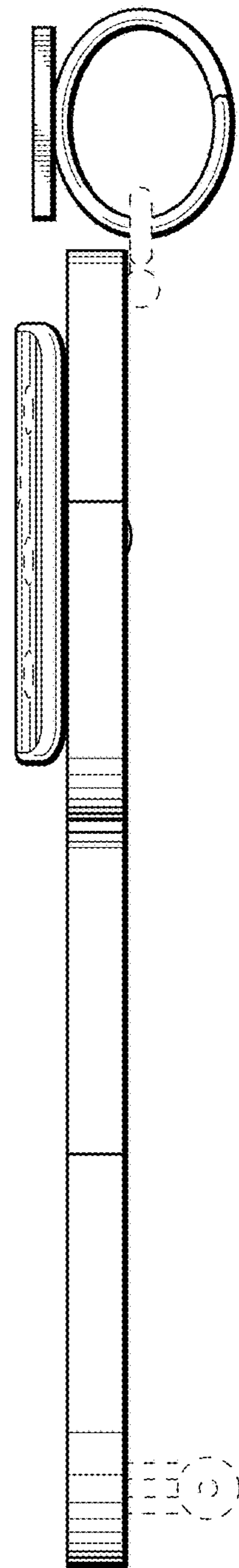
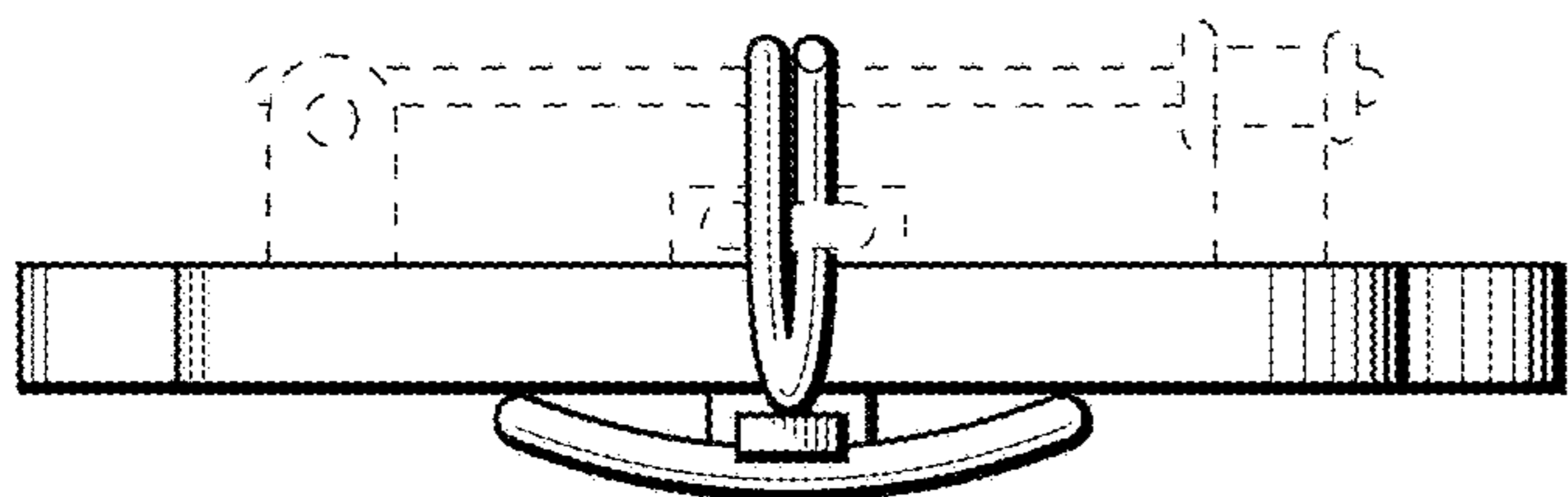


FIG. 5



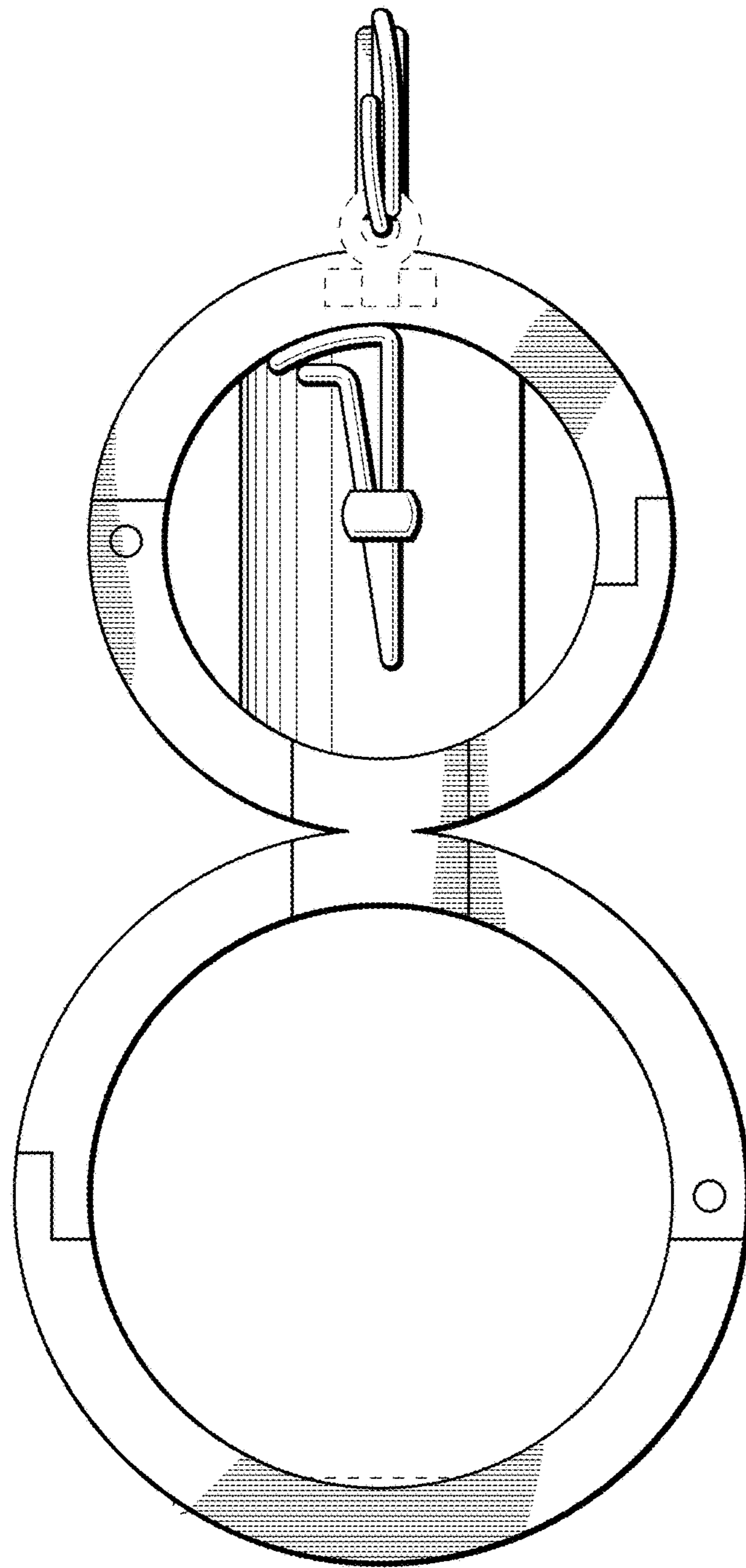


FIG. 3

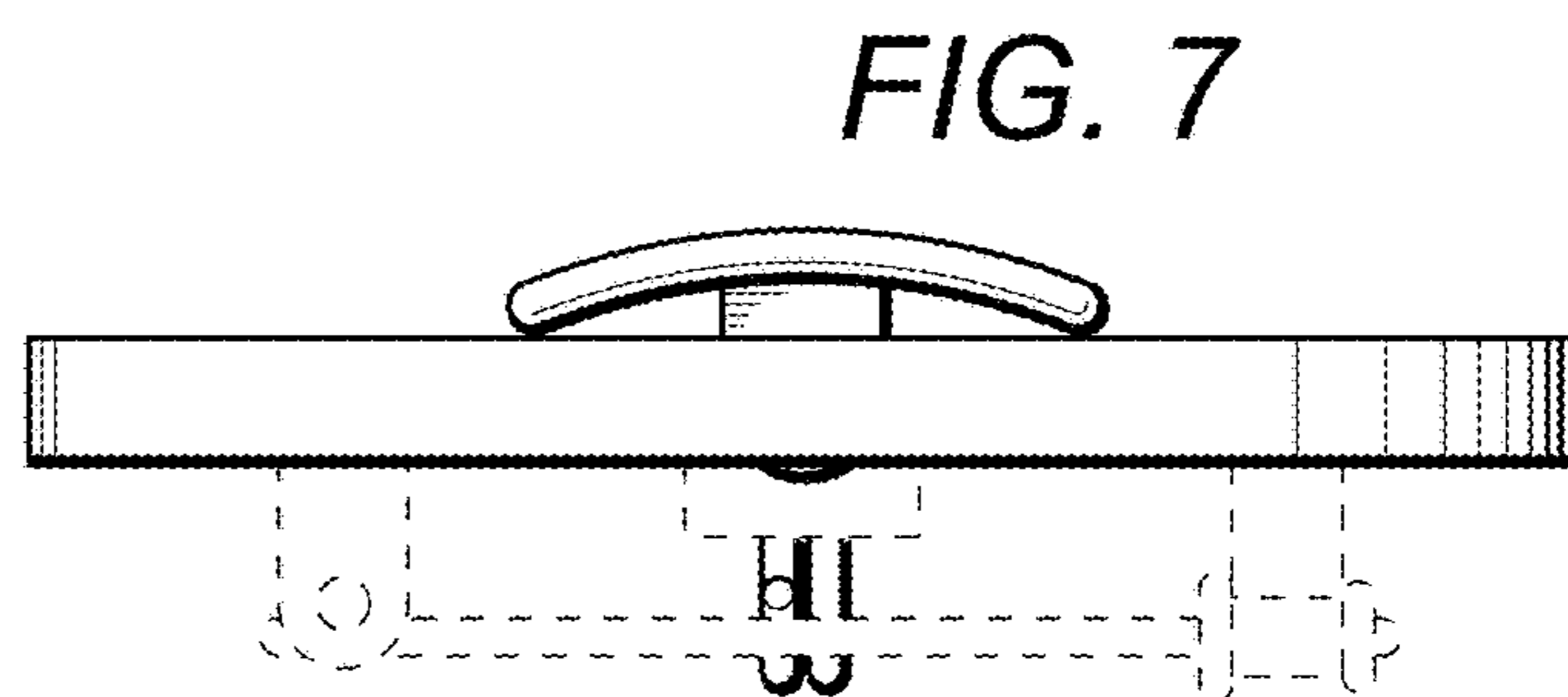


FIG. 7