



US00D810606S

(12) **United States Design Patent**
Lau

(10) **Patent No.:** **US D810,606 S**

(45) **Date of Patent:** **** Feb. 20, 2018**

- (54) **RING**
- (71) Applicant: **Terry Lau**, Miami, FL (US)
- (72) Inventor: **Terry Lau**, Miami, FL (US)
- (**) Term: **15 Years**
- (21) Appl. No.: **29/608,268**
- (22) Filed: **Jun. 20, 2017**

Related U.S. Application Data

- (63) Continuation-in-part of application No. 29/539,363, filed on Sep. 14, 2015, now abandoned.
- (51) **LOC (11) Cl.** **11-01**
- (52) **U.S. Cl.**
USPC **D11/26; D11/27**
- (58) **Field of Classification Search**
USPC D11/3-5, 26-43, 45, 79, 89-92; D7/633;
D8/354, 356, 397, 399; D6/546, 595,
D6/615, 616, 633
CPC .. A44C 5/00; A44C 7/00; A44C 7/002; A44C
7/004; A44C 9/00; A44C 9/0007; A44C
9/0015; A44C 9/0023; A44C 9/003; A44C
9/0038; A44C 9/0046; A44C 9/0053;
A44C 9/0061; A44C 9/0069; A44C
9/0076; A44C 15/001; A44C 17/02; A44C
17/0208; A44C 17/0216; A44C 17/0225;
A44C 17/0233; A44C 17/0241; A44C
17/025; A44C 17/0258

See application file for complete search history.

(56) **References Cited**

U.S. PATENT DOCUMENTS

- 479,713 A * 7/1892 Leslie 16/89
- 635,510 A * 10/1899 Saunders A44C 9/00
172/199
- 993,303 A * 5/1911 Kirby A44C 5/0092
63/11

- 1,754,392 A * 4/1930 Levin A44C 9/02
63/15.6
- 1,778,313 A * 10/1930 Darling A44C 5/246
24/188
- 1,809,045 A * 6/1931 Kraft A44C 9/02
63/15.6
- 1,858,861 A * 5/1932 Levin A44C 9/02
63/15.6
- 1,864,447 A * 6/1932 Lev A44C 9/00
63/15.6
- 2,817,219 A * 12/1957 Campbell A44C 9/02
63/15.6
- 3,238,741 A * 3/1966 Johnson A44C 9/02
63/15.6
- 3,354,669 A * 11/1967 McLees, Jr. A44C 9/02
63/15.6
- 3,423,956 A * 1/1969 Moe A44C 9/02
63/15.45
- D224,257 S * 7/1972 Lee D11/4
- D245,834 S * 9/1977 Wilbert D11/117
- 4,903,507 A * 2/1990 Gesensway A44C 9/02
63/15.45

(Continued)

Primary Examiner — Michael A. Pratt
Assistant Examiner — Wendy Arminio
 (74) *Attorney, Agent, or Firm* — Sanchelima &
 Associates, P.A.; Christian Sanchelima, Esq.; Jesus
 Sanchelima, Esq.

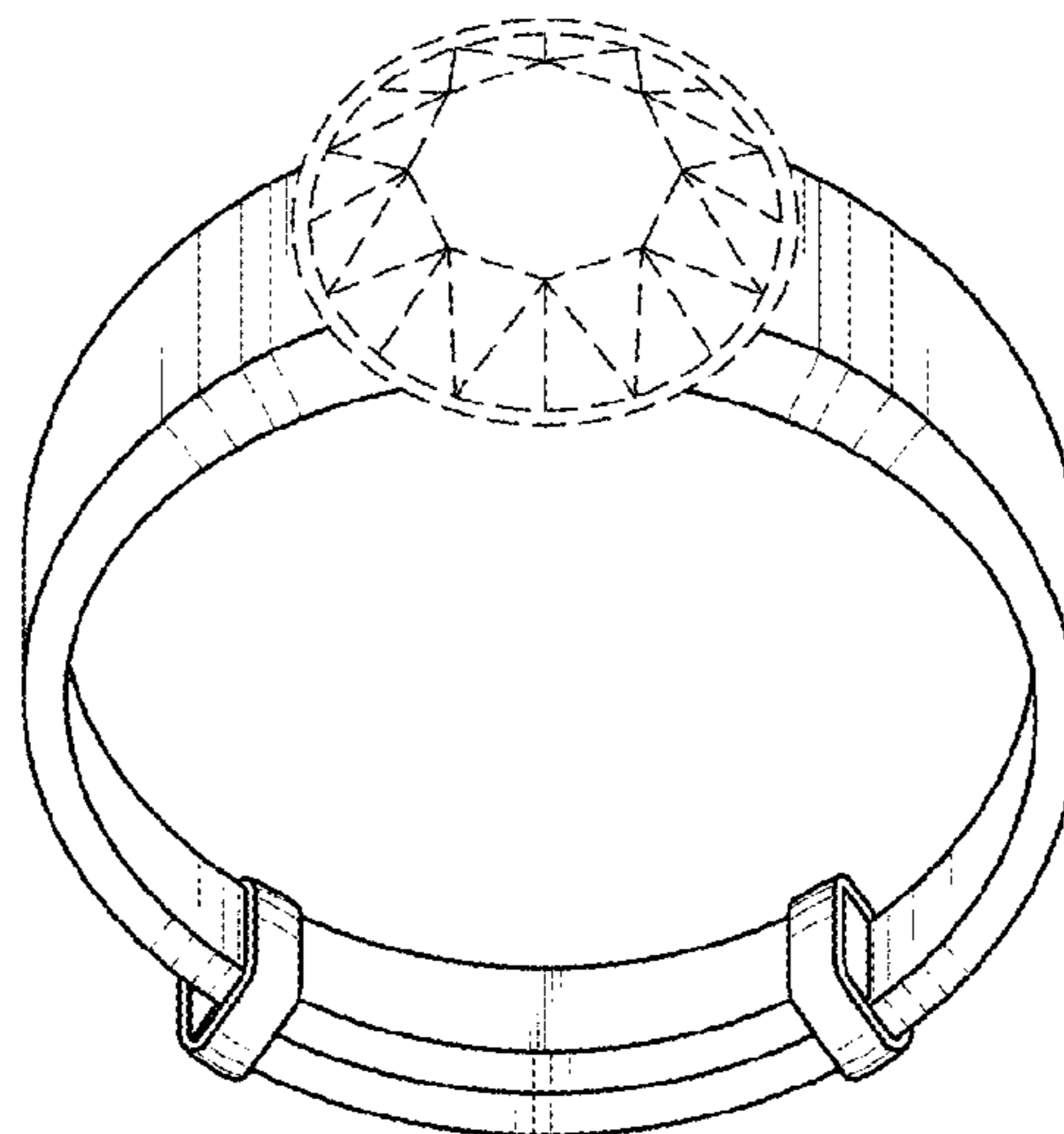
(57) **CLAIM**

The ornamental design for a ring, as shown and described.

DESCRIPTION

FIG. 1 is a top view of a ring showing my new design;
 FIG. 2 is a bottom plan view thereof;
 FIG. 3 is a top isometric view thereof;
 FIG. 4 is a bottom isometric view thereof; and,
 FIG. 5 is a side isometric view thereof.
 The broken lines depict portions of the ring that form no part
 of the claimed design.

1 Claim, 2 Drawing Sheets



(56)

References Cited

U.S. PATENT DOCUMENTS

5,131,243 A * 7/1992 Coleman A44C 9/02
63/15.5
5,239,842 A * 8/1993 Gesensway A44C 9/02
63/15.6
D386,999 S * 12/1997 Kothari D11/4
D604,192 S * 11/2009 Temples D11/3
D703,087 S * 4/2014 Fiasconaro D11/5
D706,665 S * 6/2014 Goldwitz D11/5
D724,475 S * 3/2015 Lux D11/5
D724,986 S * 3/2015 Blondet D11/5

* cited by examiner

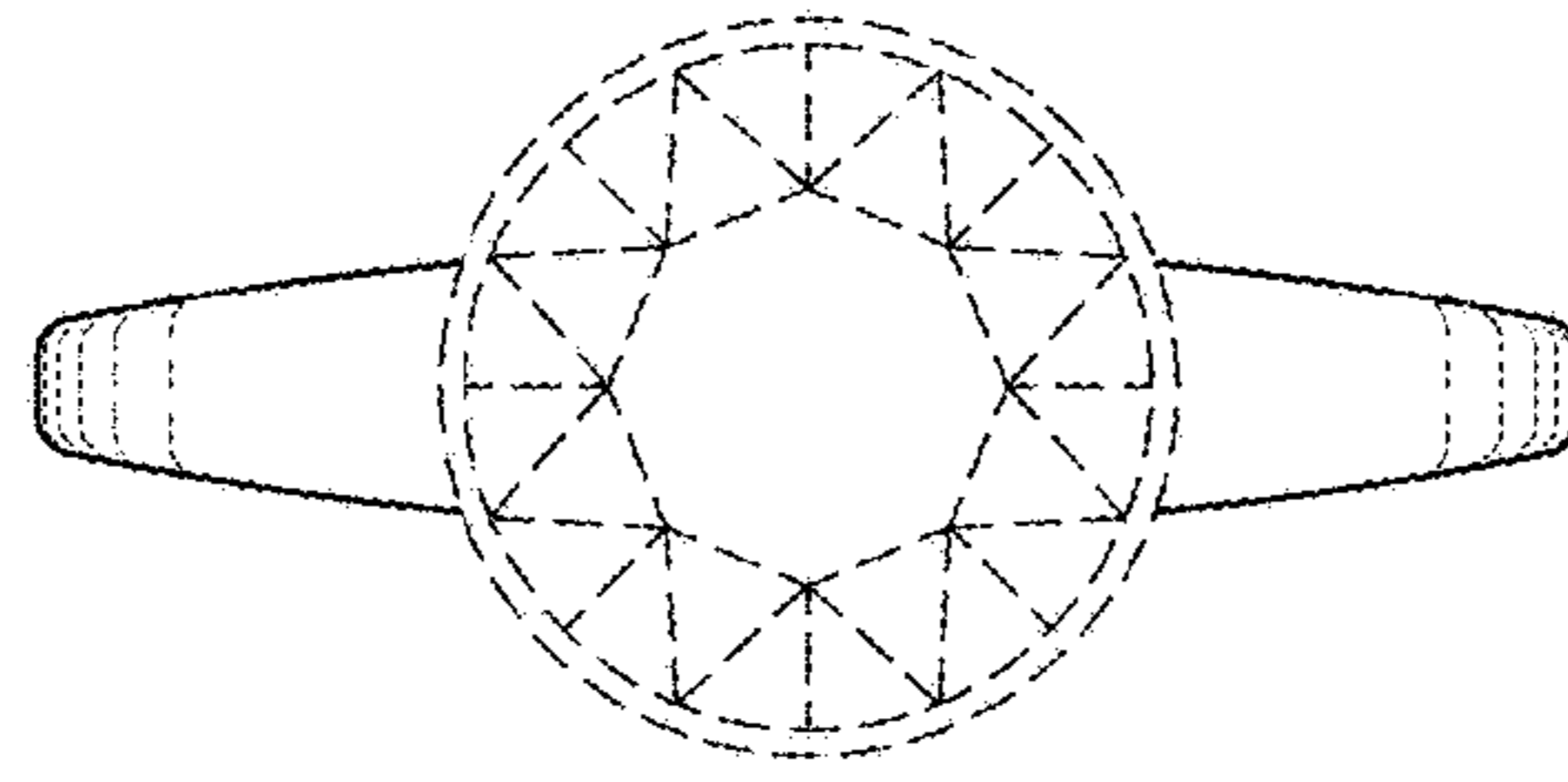


FIG. 1

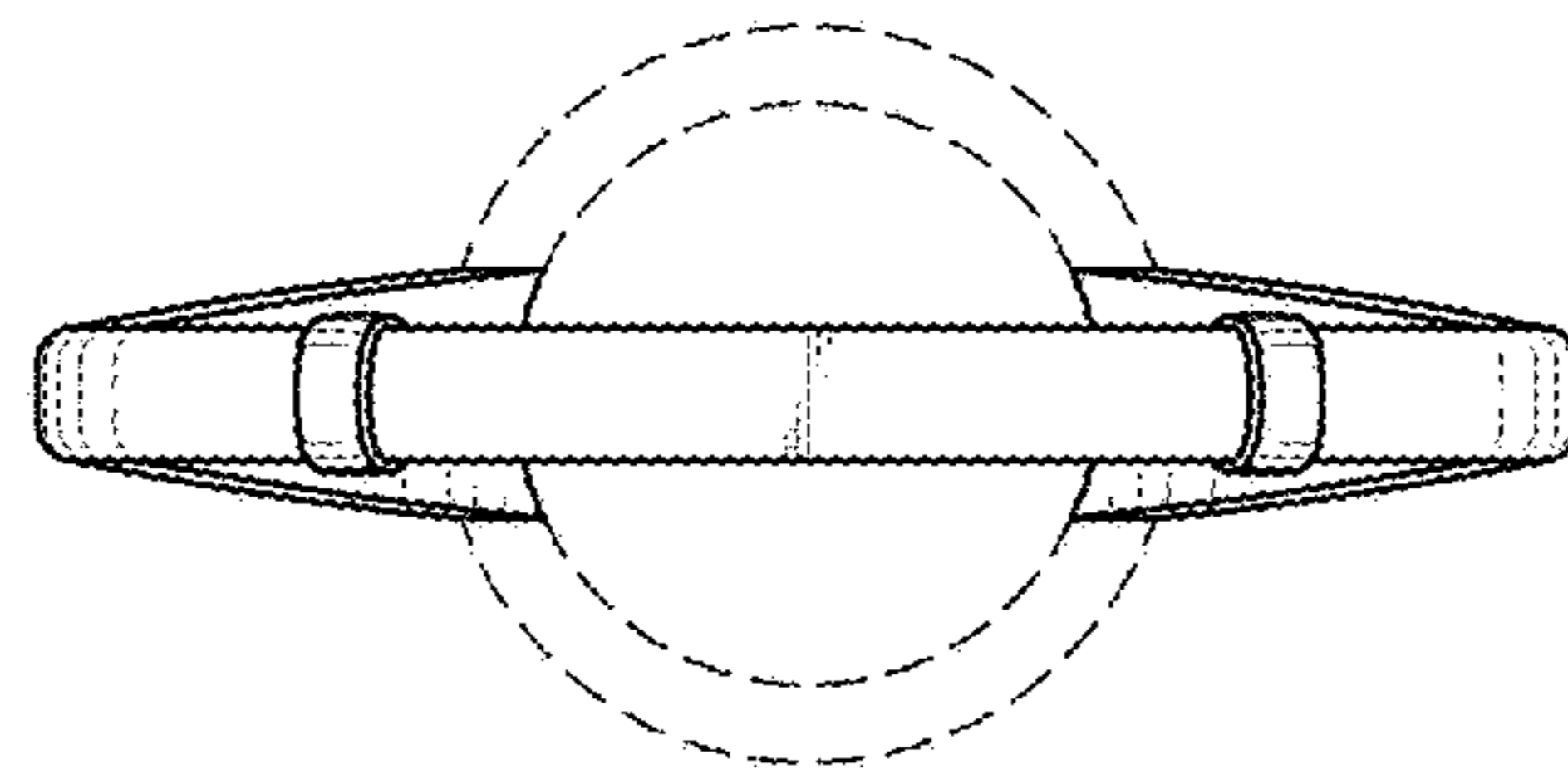


FIG. 2

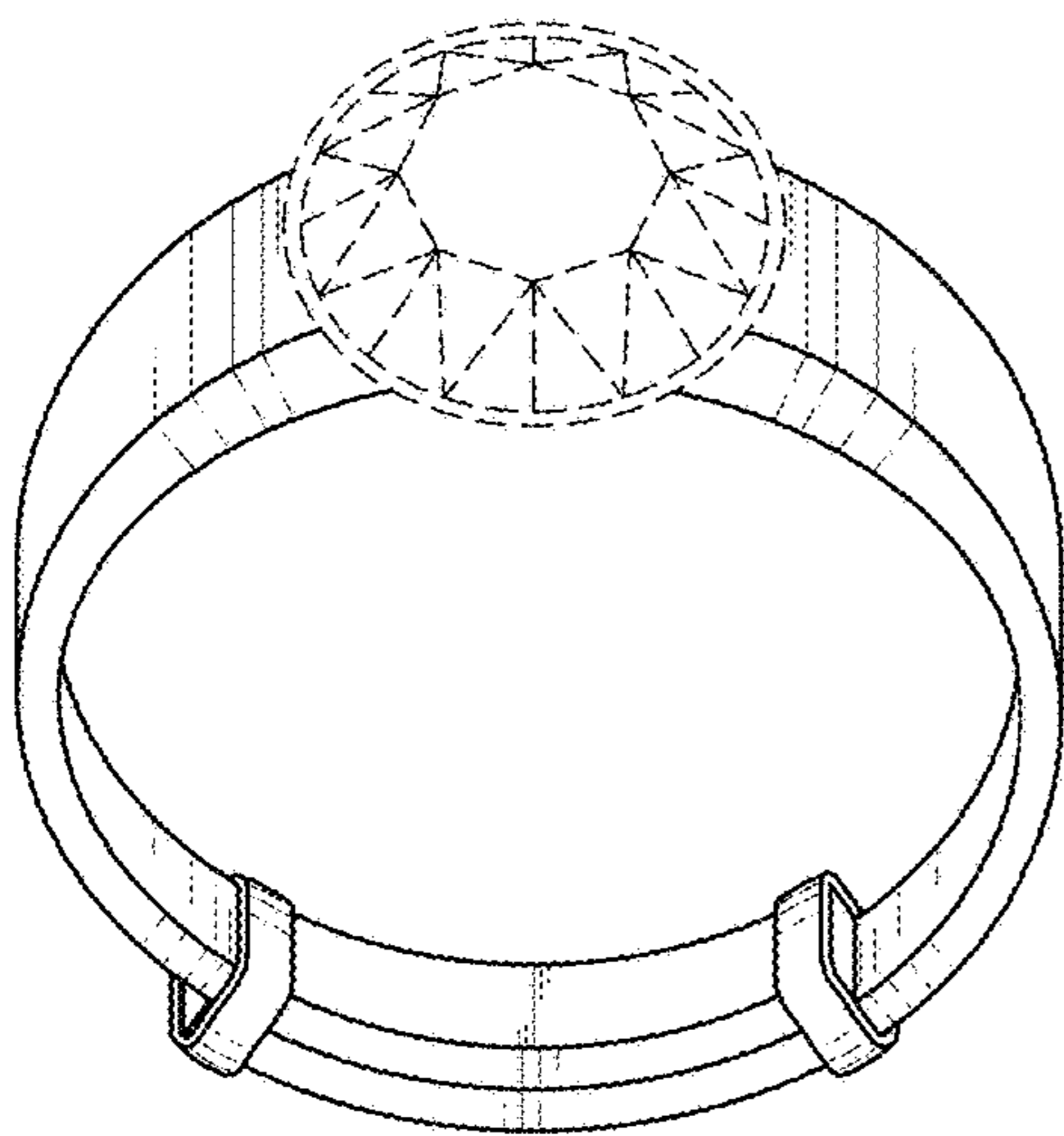


FIG. 3

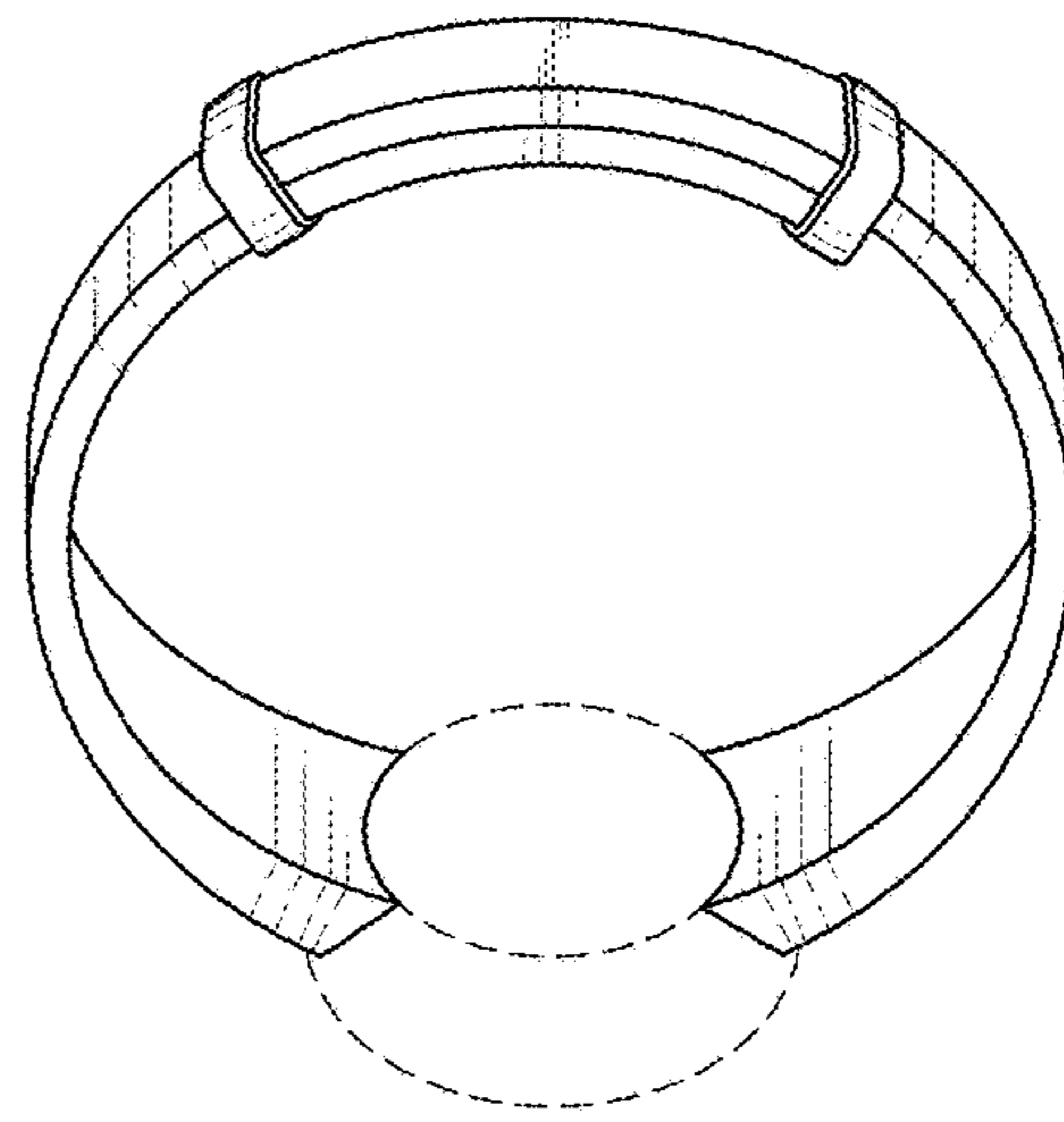


FIG. 4

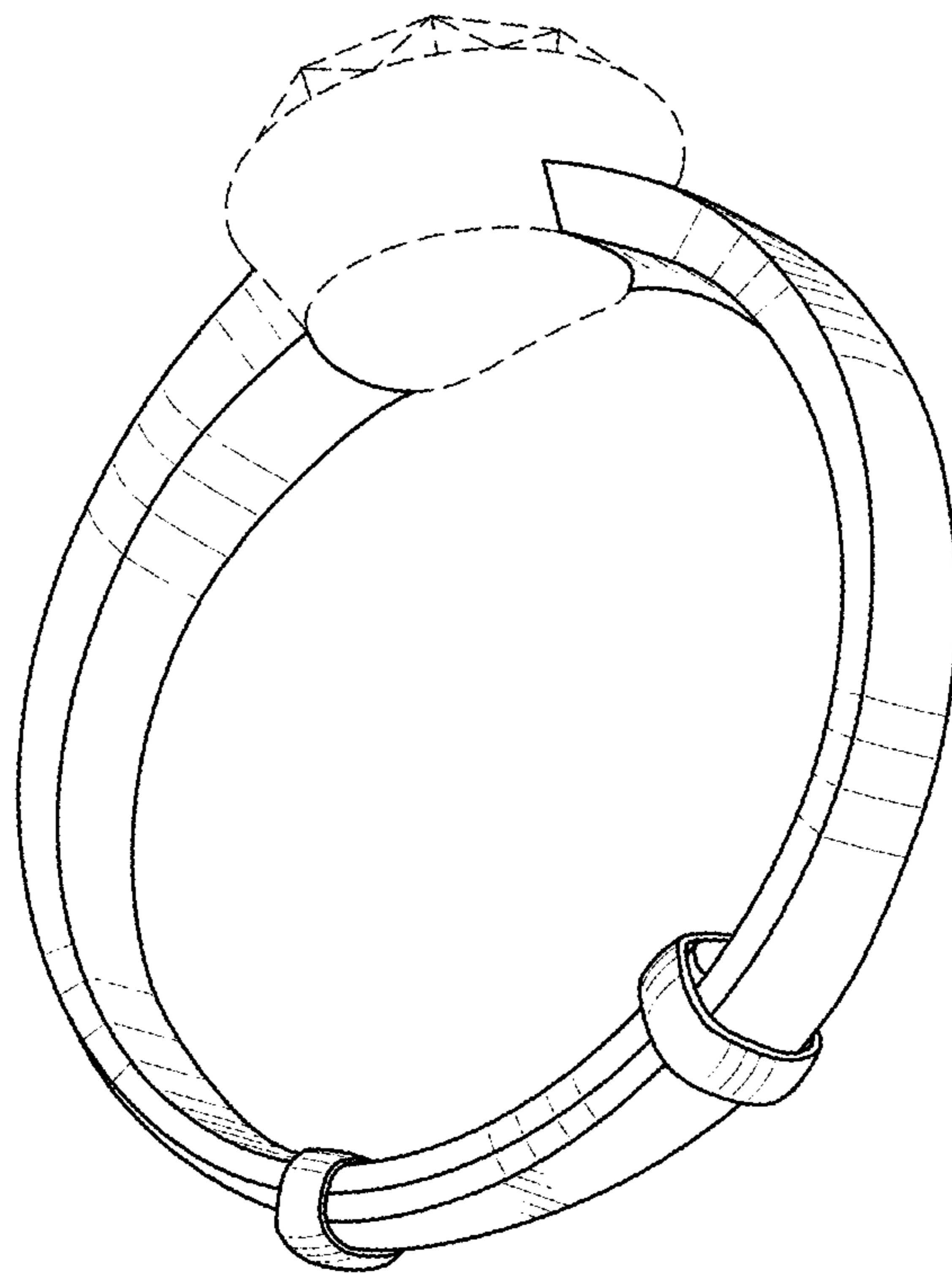


FIG. 5