



US00D810604S

(12) **United States Design Patent** (10) **Patent No.:** **US D810,604 S**
Ross et al. (45) **Date of Patent:** **** Feb. 20, 2018**

(54) **STRAP COMPONENT FOR A FLUID DELIVERY APPARATUS**

(71) Applicant: **KIMBERLY-CLARK WORLDWIDE, INC.**, Neenah, WI (US)

(72) Inventors: **Russell Ross**, Jacksonville Beach, FL (US); **Andrew T. Baker**, Norcross, GA (US); **Elizabeth D. Gadsby**, Marietta, GA (US)

(73) Assignee: **KIMBERLY-CLARK WORLDWIDE, INC.**, Neenah, WI (US)

(**) Term: **15 Years**

(21) Appl. No.: **29/587,921**

(22) Filed: **Dec. 16, 2016**

(51) **LOC (11) Cl.** **11-01**

(52) **U.S. Cl.**
USPC **D11/4; D24/112**

(58) **Field of Classification Search**
USPC D24/8, 112, 113, 114, 127, 128, 129, D24/130, 133, 141, 146, 147, 152, 186, D24/214, 215; D8/93, 97, 300, 310, 311; D23/129, 223, 249, 259, 262
CPC ... A44C 5/0007; A44C 5/0023; A44C 5/0053; A61M 5/158; A61M 5/1582; A61M 5/3243; A61M 5/14244; A61M 5/14248; A61M 2005/14252; A61M 2005/1583; A61M 2005/1585; A61M 2005/3227; A61M 2037/0023; A61M 37/015; A61M 25/0606; A61M 25/0612; A61M 25/0637; A61B 17/205; A61B 1/00094

See application file for complete search history.

(56) **References Cited**

U.S. PATENT DOCUMENTS

3,291,129 A * 12/1966 Burrelle A61B 17/205
206/367
3,465,717 A * 9/1969 Hein A61B 17/205
118/429

D270,244 S * 8/1983 McCormick D10/15
4,666,434 A * 5/1987 Kaufman A61M 25/02
128/DIG. 26
D290,371 S * 6/1987 Slayer 84/454
D509,216 S * 9/2005 Yamamoto D10/30
D698,689 S * 2/2014 Boyd D11/4
D711,762 S * 8/2014 Murphy D11/4
D773,947 S * 12/2016 Scarcella D10/104.1
D784,177 S * 4/2017 Kaiser D11/2
D795,863 S * 8/2017 Park D10/30
2010/0069848 A1 * 3/2010 Alferness A61M 5/14248
604/151

(Continued)

Primary Examiner — Sheryl Lane

Assistant Examiner — Calvin E Vansant

(74) *Attorney, Agent, or Firm* — Armstrong Teasdale LLP

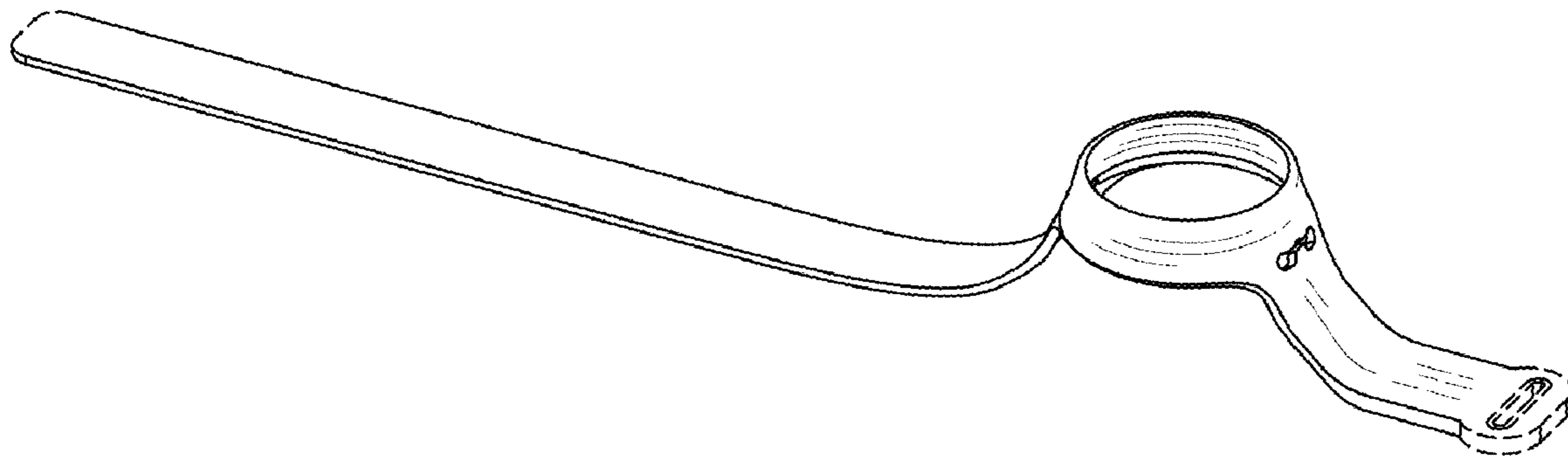
(57) **CLAIM**

We claim the ornamental design for a strap component for a fluid delivery apparatus, as shown and described.

DESCRIPTION

FIG. 1 is a perspective view of a strap component for a fluid delivery apparatus of our new design.
FIG. 2 is another perspective view thereof.
FIG. 3 is a top plan view thereof.
FIG. 4 is a bottom plan view thereof.
FIG. 5 is a left side view thereof.
FIG. 6 is a right side view thereof.
FIG. 7 is a back elevation view thereof; and,
FIG. 8 is a front elevation view thereof.
The dashed broken lines depict portions of the strap component for a fluid delivery apparatus that form no part of the claimed design.

1 Claim, 8 Drawing Sheets



(56)

References Cited

U.S. PATENT DOCUMENTS

2012/0234043 A1 * 9/2012 Guerrero, II A44C 5/0007
63/13

* cited by examiner

FIG. 1

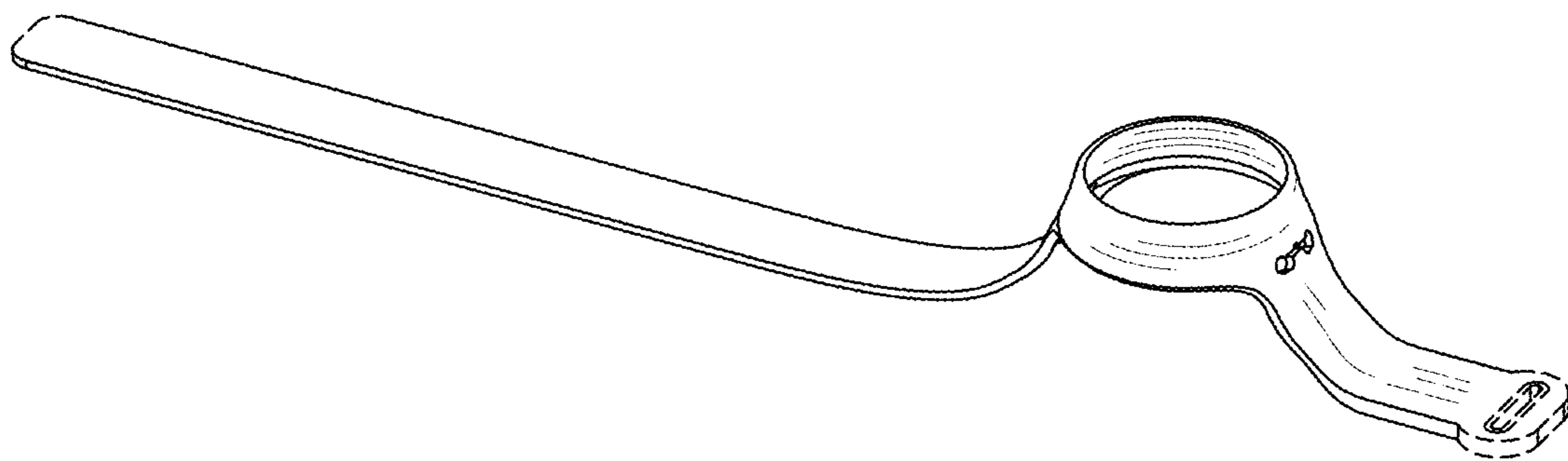


FIG. 2

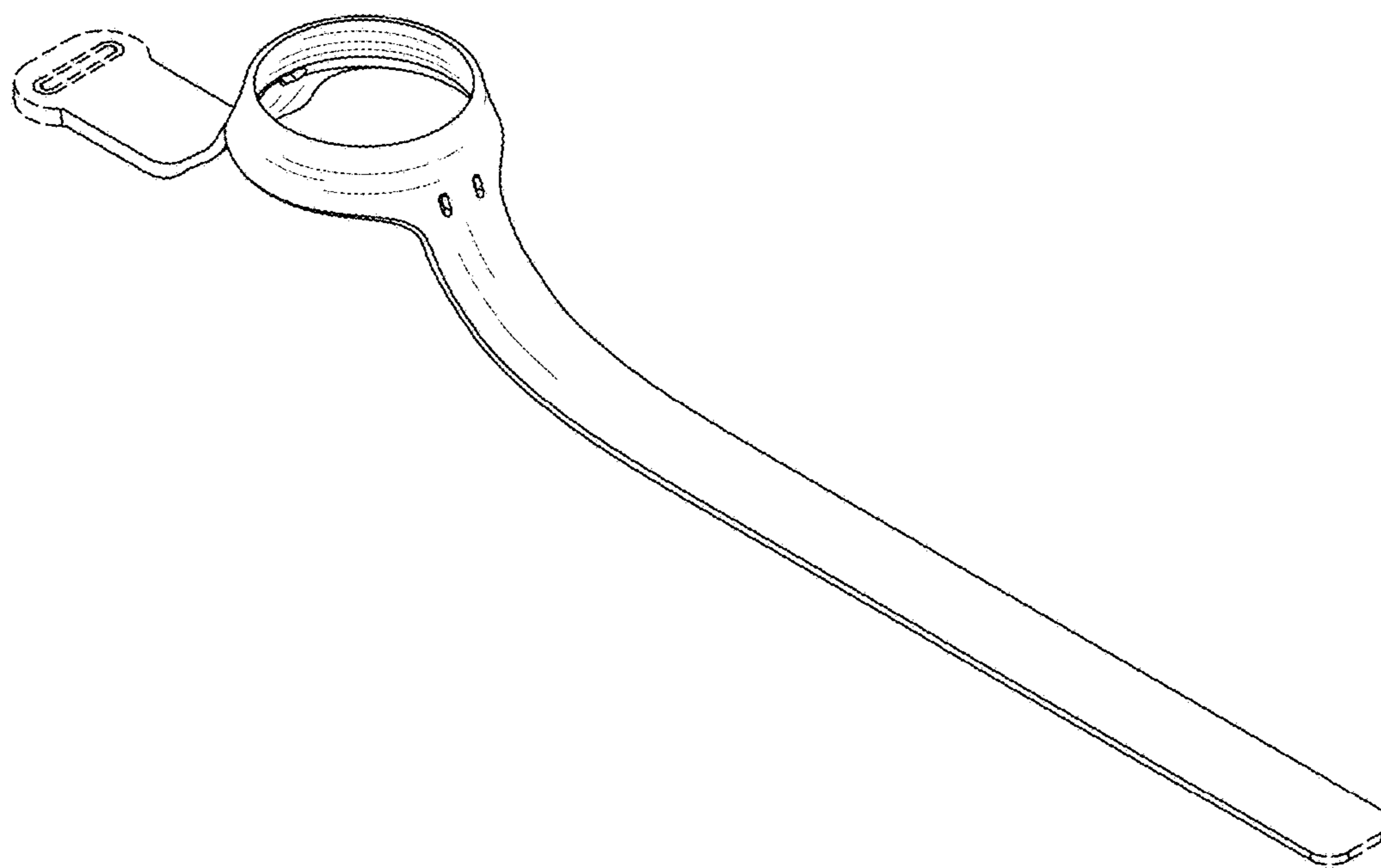


FIG. 3

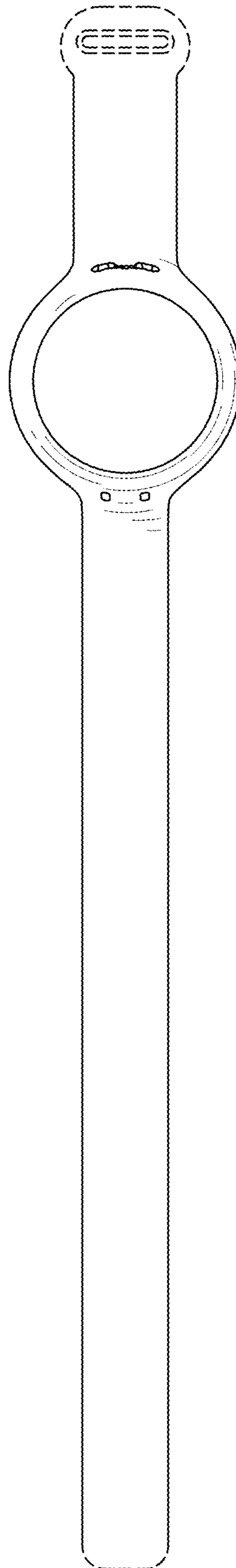


FIG. 4

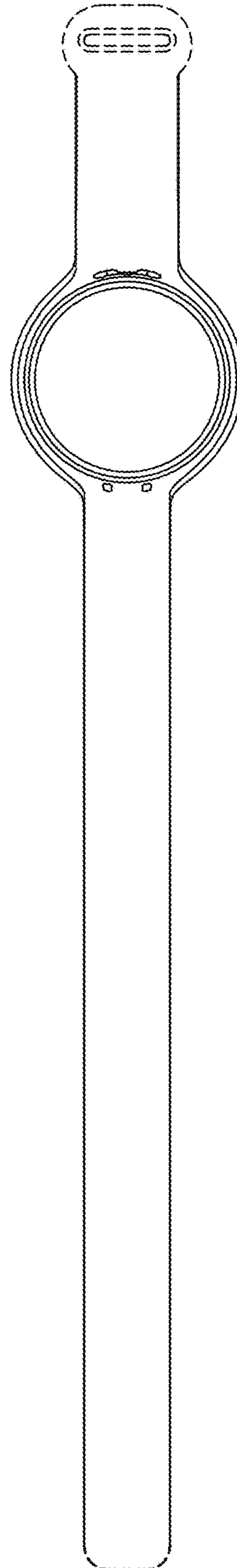


FIG. 5

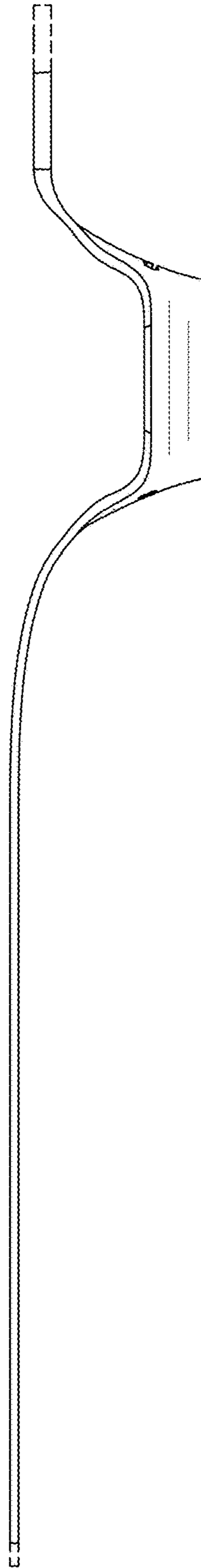


FIG. 6

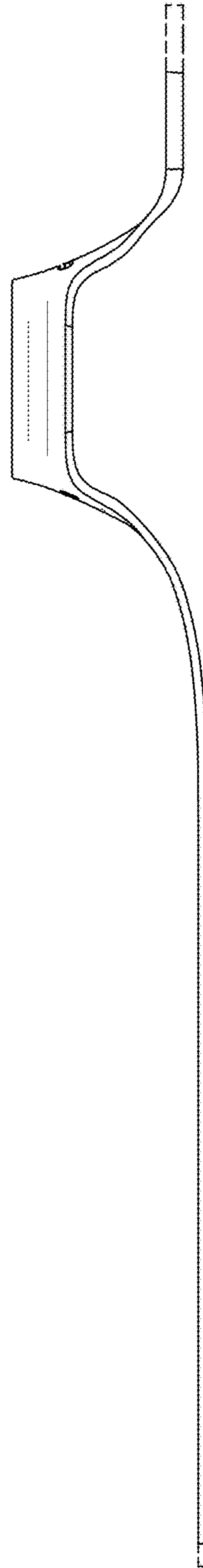


FIG. 7

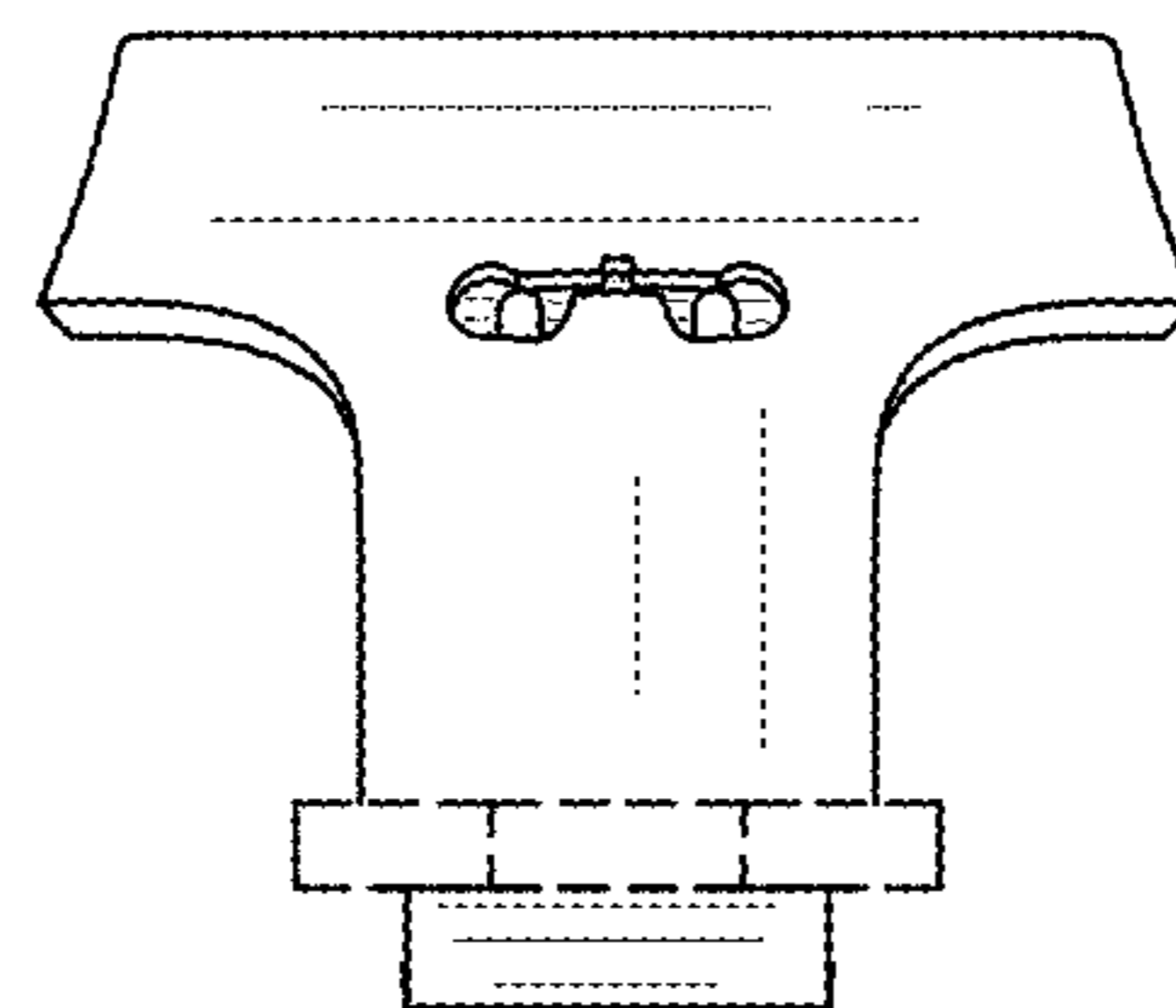
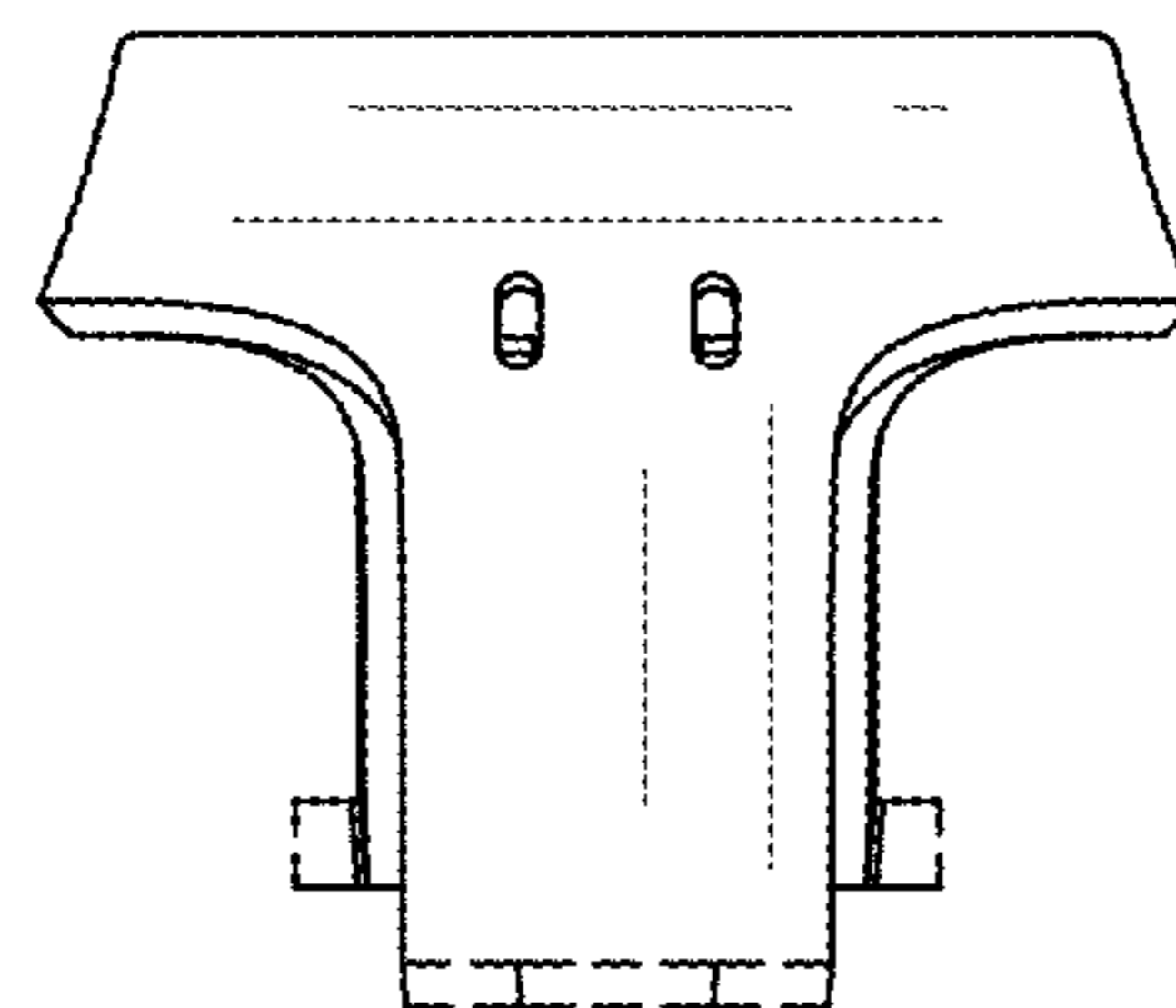


FIG. 8



UNITED STATES PATENT AND TRADEMARK OFFICE
CERTIFICATE OF CORRECTION

PATENT NO. : D810,604 S
APPLICATION NO. : 29/587921
DATED : February 20, 2018
INVENTOR(S) : Russell Ross et al.

Page 1 of 1

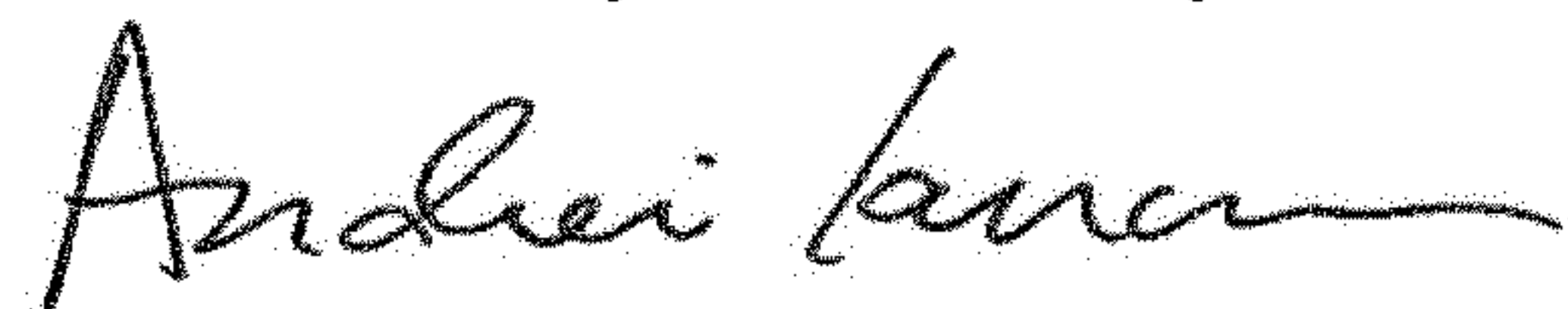
It is certified that error appears in the above-identified patent and that said Letters Patent is hereby corrected as shown below:

On the Title Page

Item (72), Inventors should read:

Russell Ross, Jacksonville Beach, FL (US); Andrew T. Baker, Norcross GA (US); Elizabeth D. Gadsby, Marietta GA (US); Alyson Yamada, Cambridge MA (US); Aaron Peck, San Francisco CA (US); Pratap Ganapathy, Menlo Park CA (US).

Signed and Sealed this
Twelfth Day of February, 2019



Andrei Iancu
Director of the United States Patent and Trademark Office