



US00D810600S

(12) **United States Design Patent** (10) **Patent No.:** **US D810,600 S**
Cho (45) **Date of Patent:** **** Feb. 20, 2018**

(54) **ELECTRICITY METER FOR BRANCH FOR DISTRIBUTION BOARD**

(71) Applicant: **LSIS CO., LTD.**, Anyang-si, Gyeonggi-do (KR)

(72) Inventor: **Euihyun Cho**, Anyang-si (KR)

(73) Assignee: **LSIS CO., LTD.**, Anyang-si (KR)

(**) Term: **15 Years**

(21) Appl. No.: **29/573,859**

(22) Filed: **Aug. 10, 2016**

(30) **Foreign Application Priority Data**

Mar. 28, 2016 (KR) 30-2016-0014358

(51) **LOC (11) Cl.** **10-04**

(52) **U.S. Cl.**
USPC **D10/100**

(58) **Field of Classification Search**

USPC D10/96, 97, 98, 99, 100, 102
 CPC G01R 21/00; G01R 21/06; G01R 21/133;
 G01R 22/00; G01R 22/06; G01R 21/065;
 G06F 17/40; G06F 19/00; G01D 4/006;
 G01D 11/245; G06Q 50/06; F25D 29/00;
 F25D 21/08; F25B 2600/23; H02J
 13/0086; H02J 13/0062; H02J 2003/146;
 Y02B 70/3225; Y02B 70/3216

See application file for complete search history.

(56) **References Cited**

U.S. PATENT DOCUMENTS

D459,259 S * 6/2002 Harding D10/99
 6,476,729 B1 * 11/2002 Liu G01R 31/42
 340/12.39
 D774,931 S * 12/2016 Kono D10/100

OTHER PUBLICATIONS

Yong Bin Jung, "Korea Institute of Design Promotion", Dec. 16, 2015, 3 pgs.

* cited by examiner

Primary Examiner — Antoine Duval Davis

(74) *Attorney, Agent, or Firm* — Birch, Stewart, Kolasch & Birch, LLP

(57) **CLAIM**

I claim the ornamental design for an electricity meter for branch for distribution board, as shown and described.

DESCRIPTION

FIG. 1 is a perspective view of an electricity meter for branch for distribution board showing my new design;
 FIG. 2 is a front elevation view thereof;
 FIG. 3 is a rear elevation view thereof;
 FIG. 4 is a left-side elevation view thereof;
 FIG. 5 is a right-side elevation view thereof;
 FIG. 6 is a top plan view thereof; and,
 FIG. 7 is a bottom plan view thereof.

1 Claim, 7 Drawing Sheets

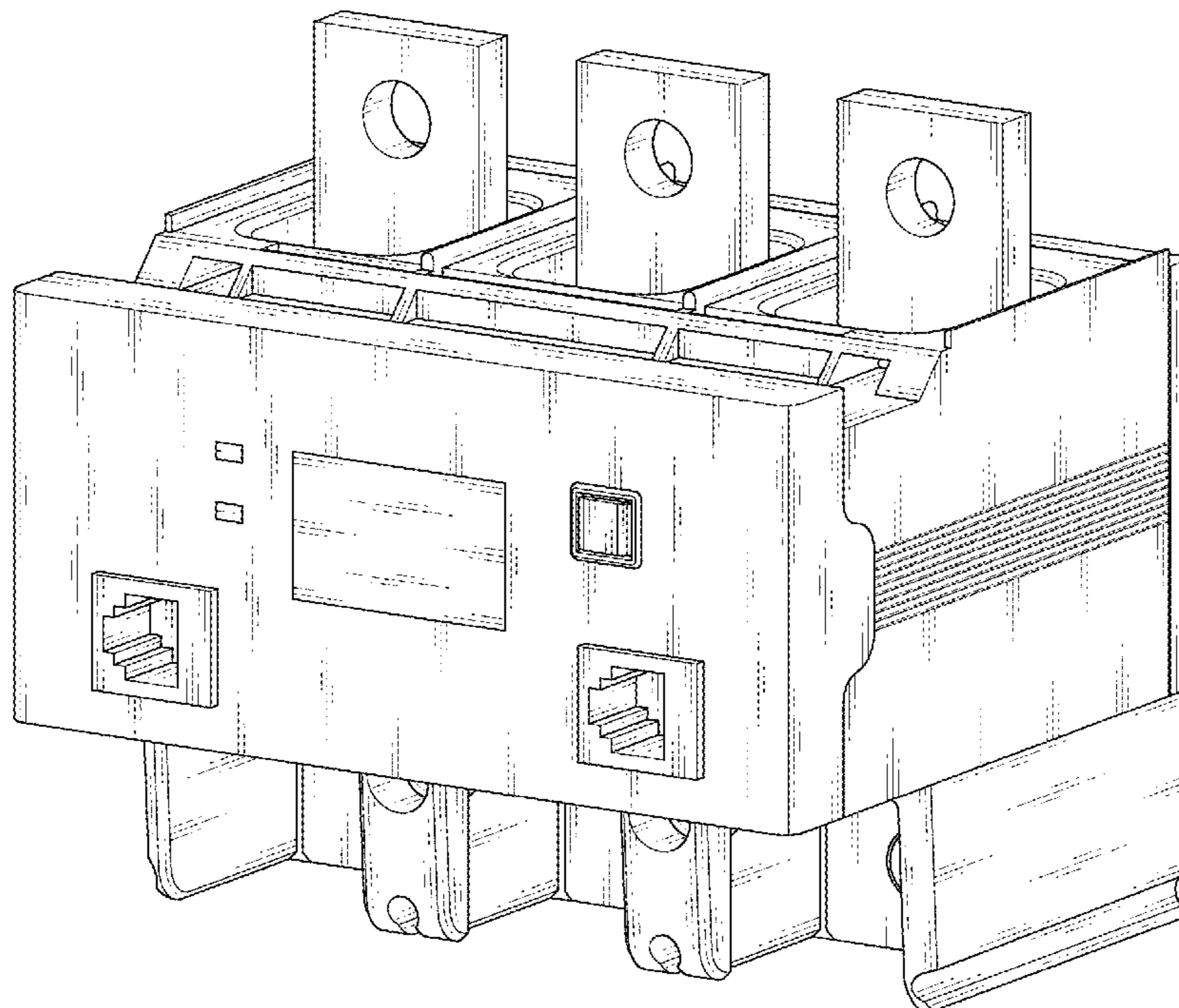


FIG. 1

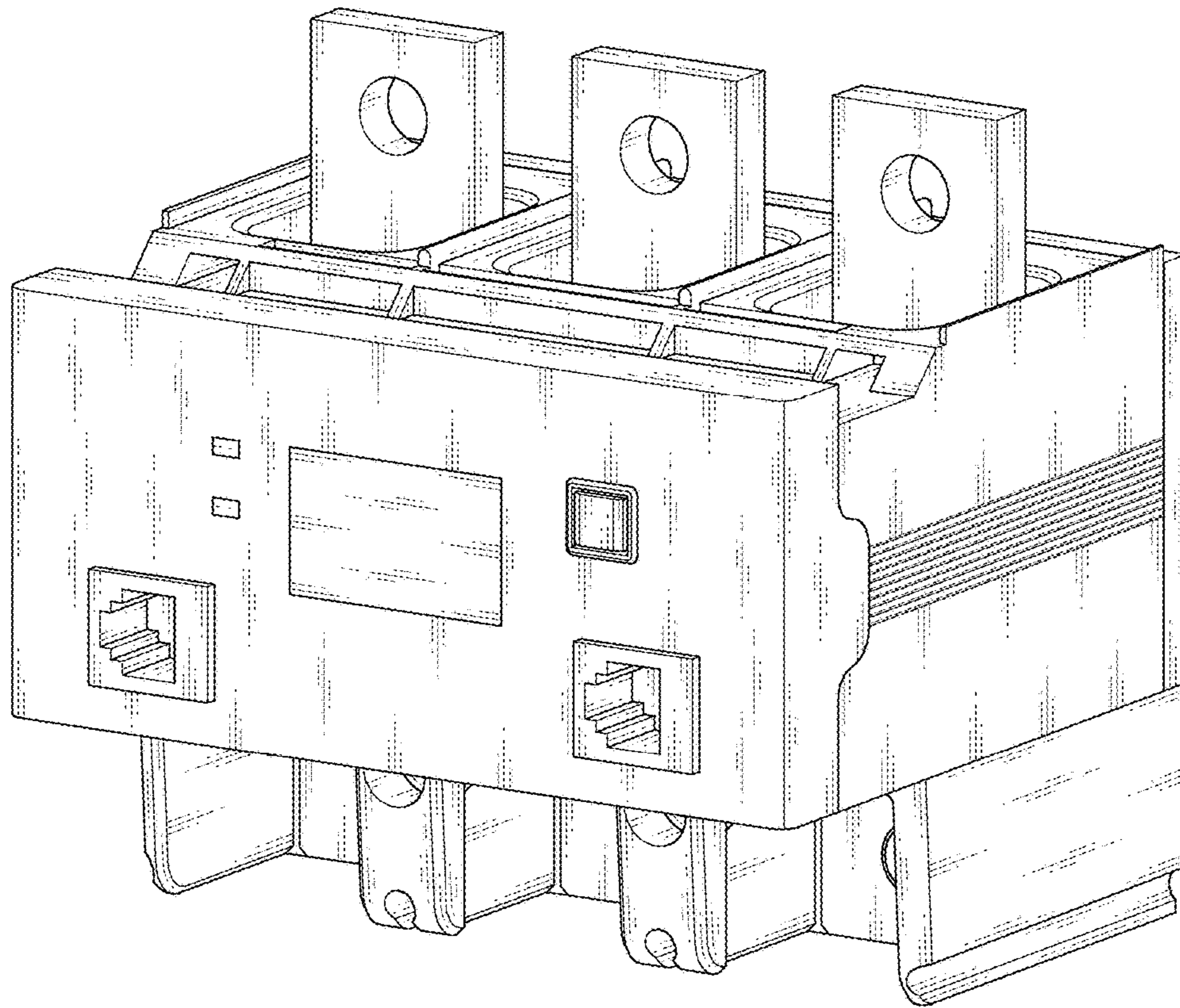


FIG. 2

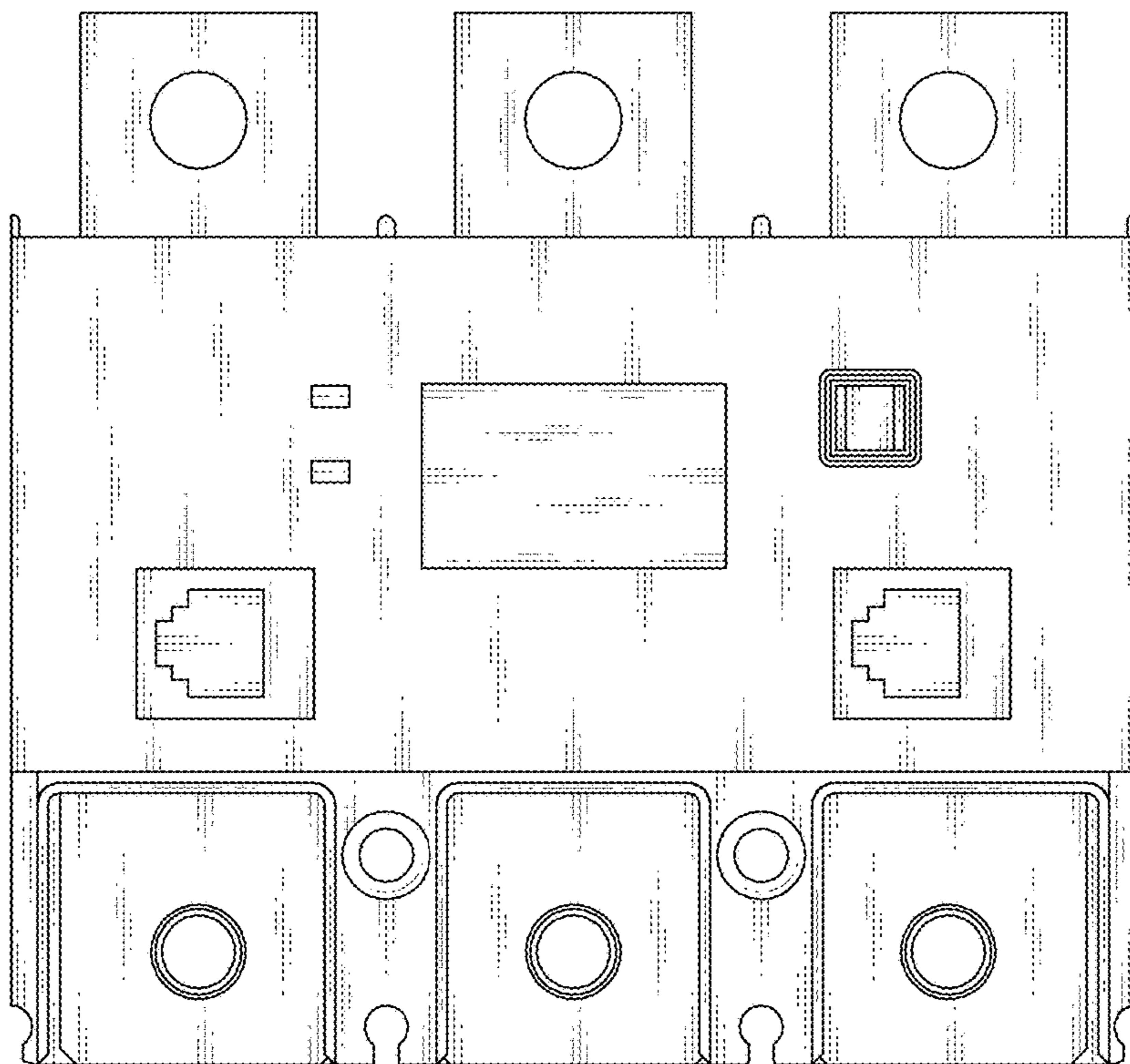


FIG. 3

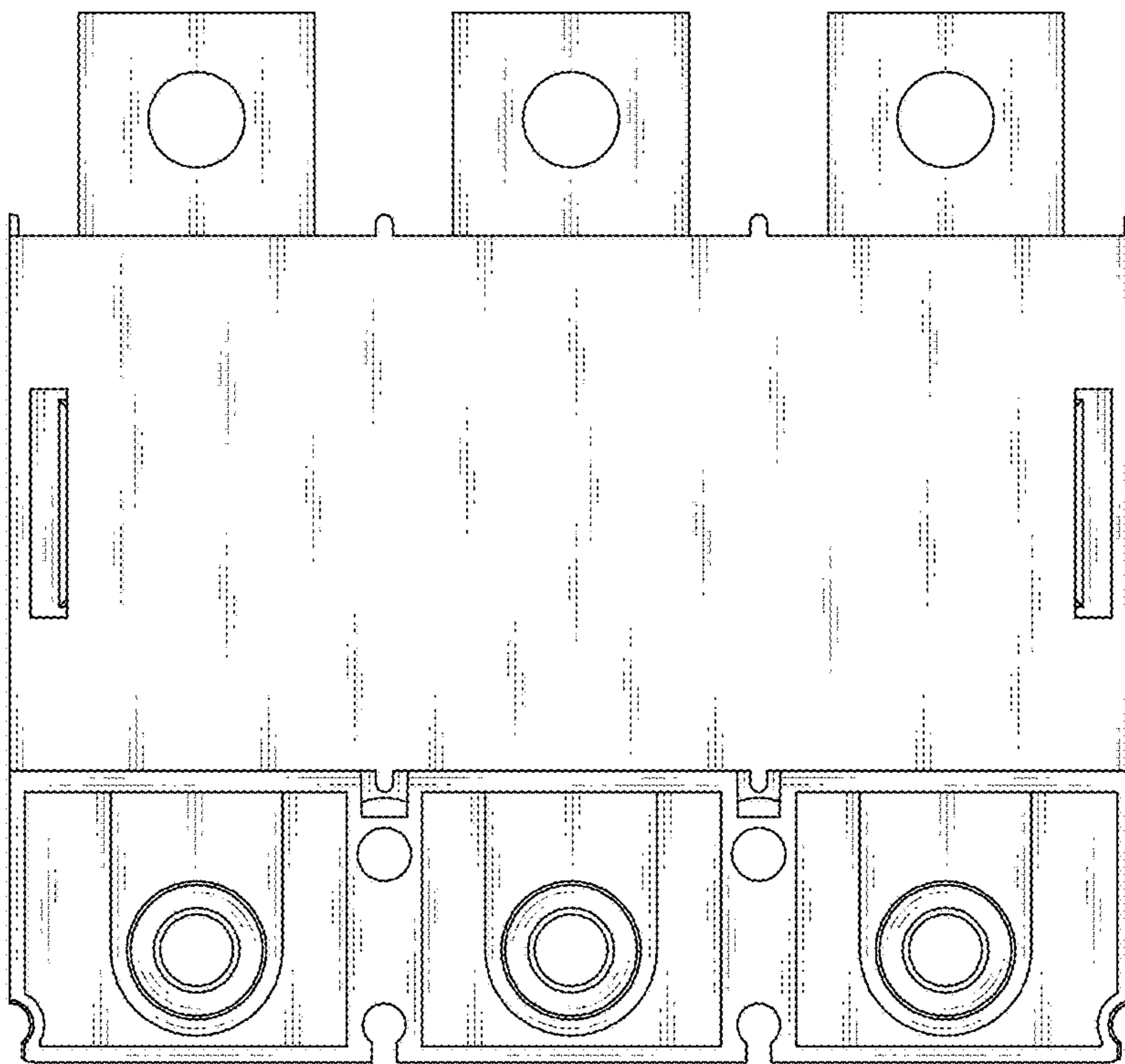


FIG. 4

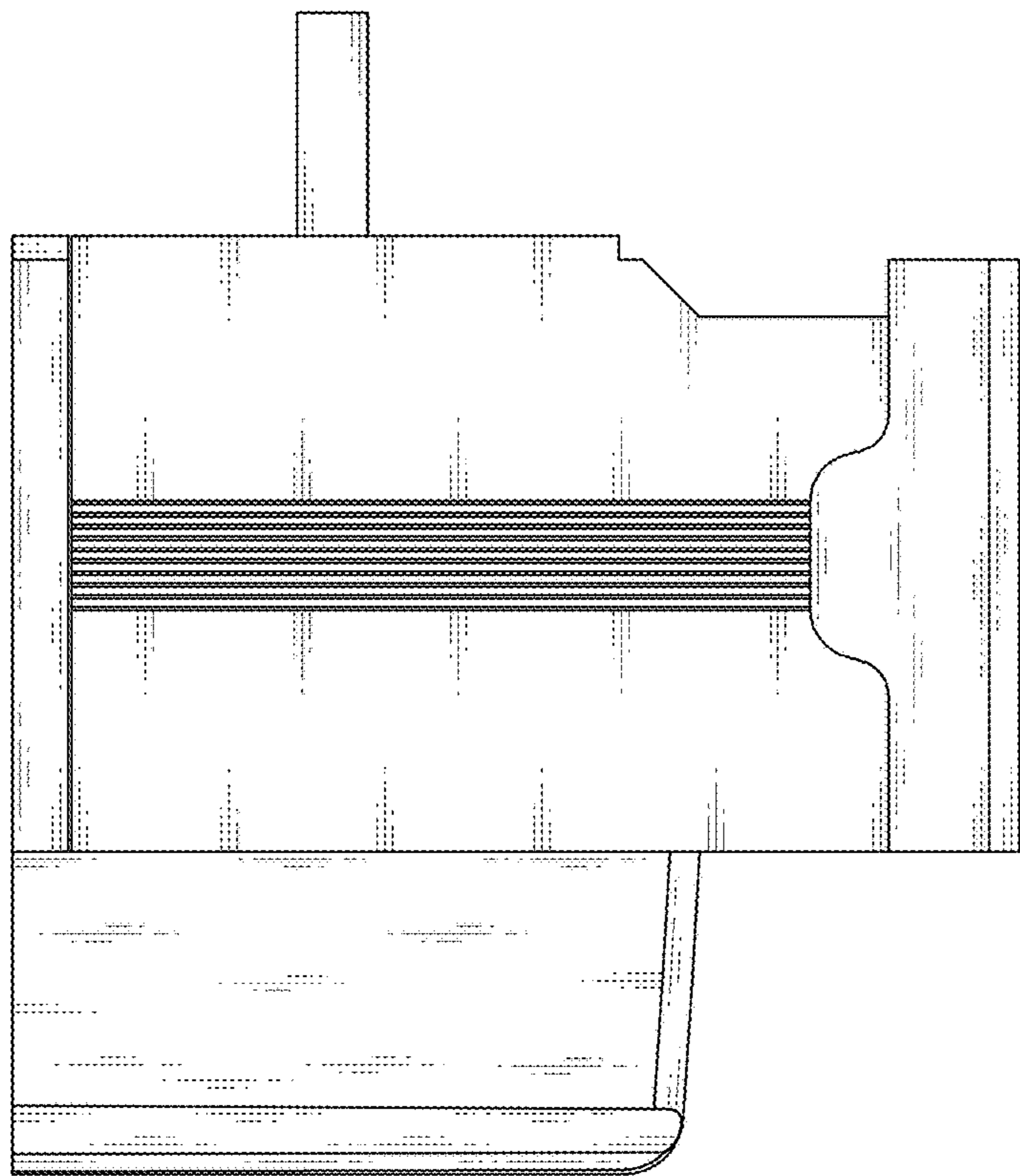


FIG. 5

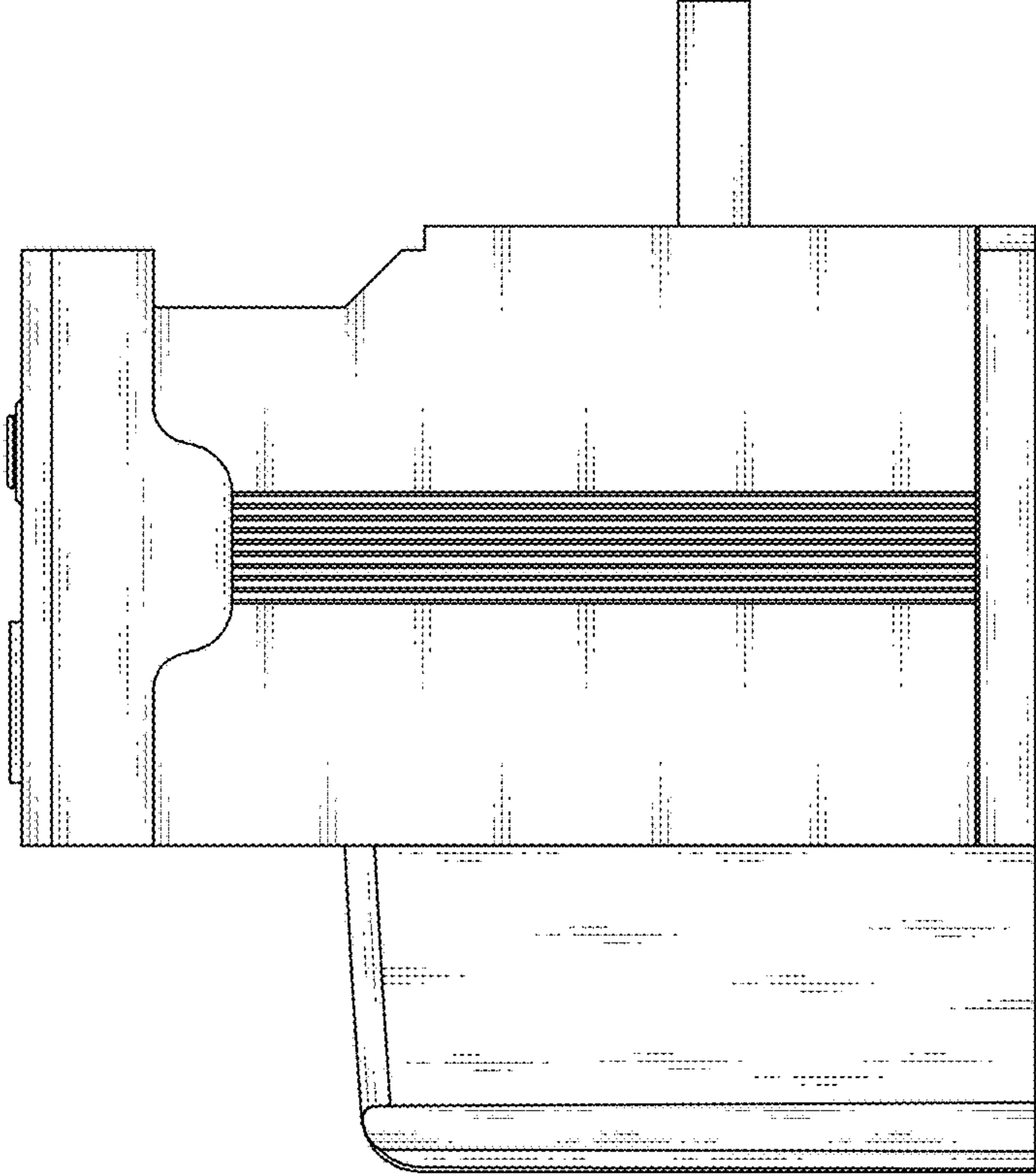


FIG. 6

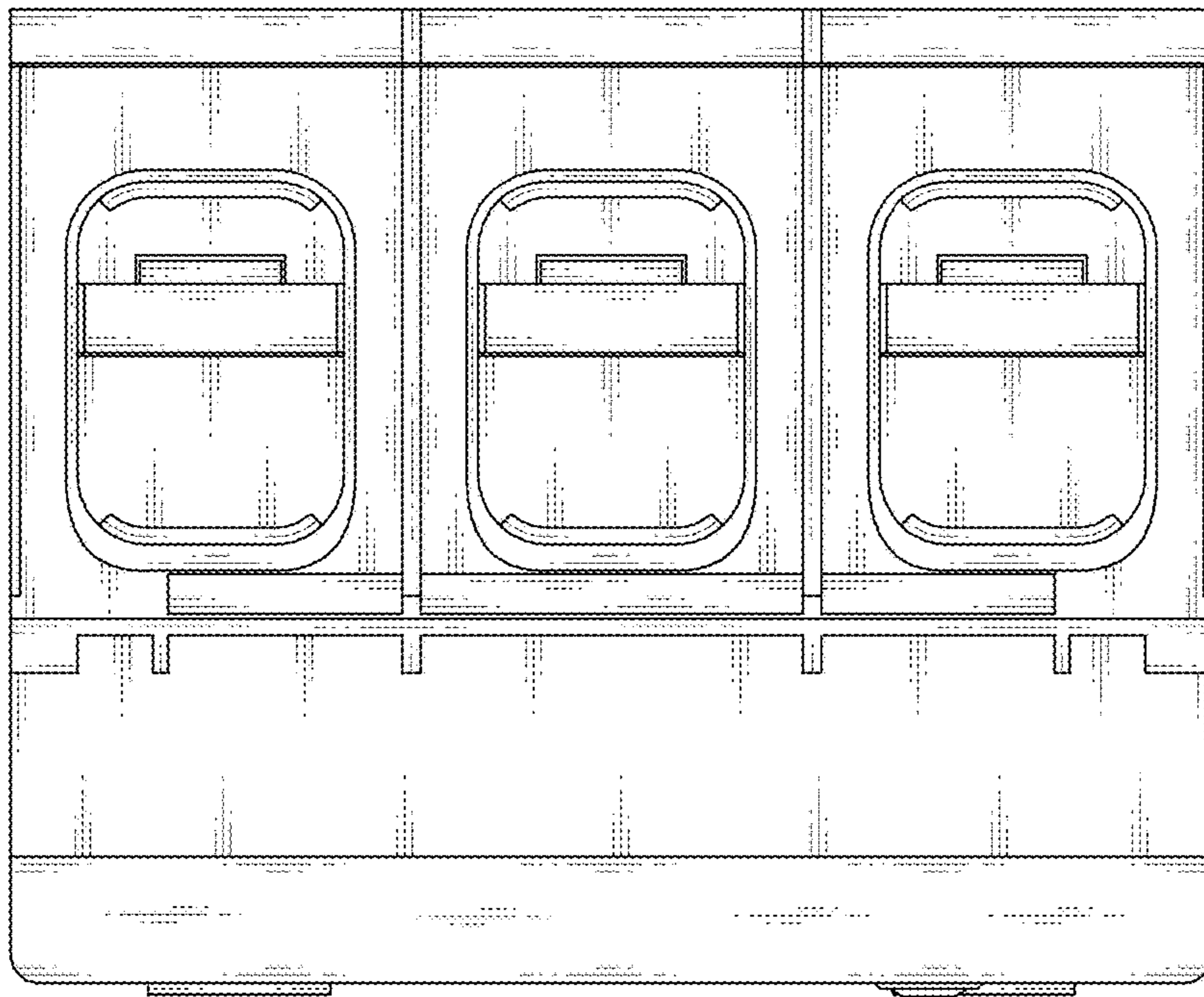


FIG. 7

