



US00D810599S

(12) **United States Design Patent** (10) **Patent No.:** **US D810,599 S**
Cho (45) **Date of Patent:** **** Feb. 20, 2018**

(54) **ELECTRICITY METER FOR DISTRIBUTION BOARD**

H02J 13/0086; H02J 13/0062; H02J 2003/146; Y02B 70/3225; Y02B 70/3216
See application file for complete search history.

(71) Applicant: **LSIS CO., LTD.**, Anyang-si, Gyeonggi-do (KR)

(56) **References Cited**

(72) Inventor: **Euihyun Cho**, Anyang-si (KR)

U.S. PATENT DOCUMENTS

(73) Assignee: **LSIS CO., LTD.**, Anyang-si (KR)

D458,863 S * 6/2002 Harding D10/99
6,798,190 B2 * 9/2004 Harding G01D 4/004
324/103 R
7,747,733 B2 * 6/2010 Kagan G01D 4/002
702/61
D727,190 S * 4/2015 Higgs D10/102

(**) Term: **15 Years**

OTHER PUBLICATIONS

(21) Appl. No.: **29/573,846**

Yong Bin Jun, Korea Institute of Design Promotion, Dec. 16, 2015, 3 pgs.

(22) Filed: **Aug. 10, 2016**

* cited by examiner

(30) **Foreign Application Priority Data**

Primary Examiner — Antoine Duval Davis
(74) *Attorney, Agent, or Firm* — Birch, Stewart, Kolasch & Birch, LLP

Mar. 28, 2016 (KR) 30-2016-0014357

(51) **LOC (11) Cl.** **10-04**

(57) **CLAIM**

(52) **U.S. Cl.**

I claim the ornamental design for an electricity meter for distribution board, as shown and described.

USPC **D10/100**

DESCRIPTION

(58) **Field of Classification Search**

USPC D10/100

CPC G01R 21/00; G01R 21/06; G01R 21/133;
G01R 22/00; G01R 22/06; G01R 21/065;
G06F 17/40; G06F 19/00; G01D 4/006;
G01D 11/245; G06Q 50/06; F25D 29/00;
F25D 21/08; F25B 2600/23; H02J 3/04;

FIG. 1 is a perspective view of an electricity meter for distribution board showing my new design;
FIG. 2 is a front elevation view thereof;
FIG. 3 is a rear elevation view thereof;
FIG. 4 is a left-side elevation view thereof;
FIG. 5 is a right-side elevation view thereof;
FIG. 6 is a top plan view thereof; and,
FIG. 7 is a bottom plan view thereof.

1 Claim, 4 Drawing Sheets

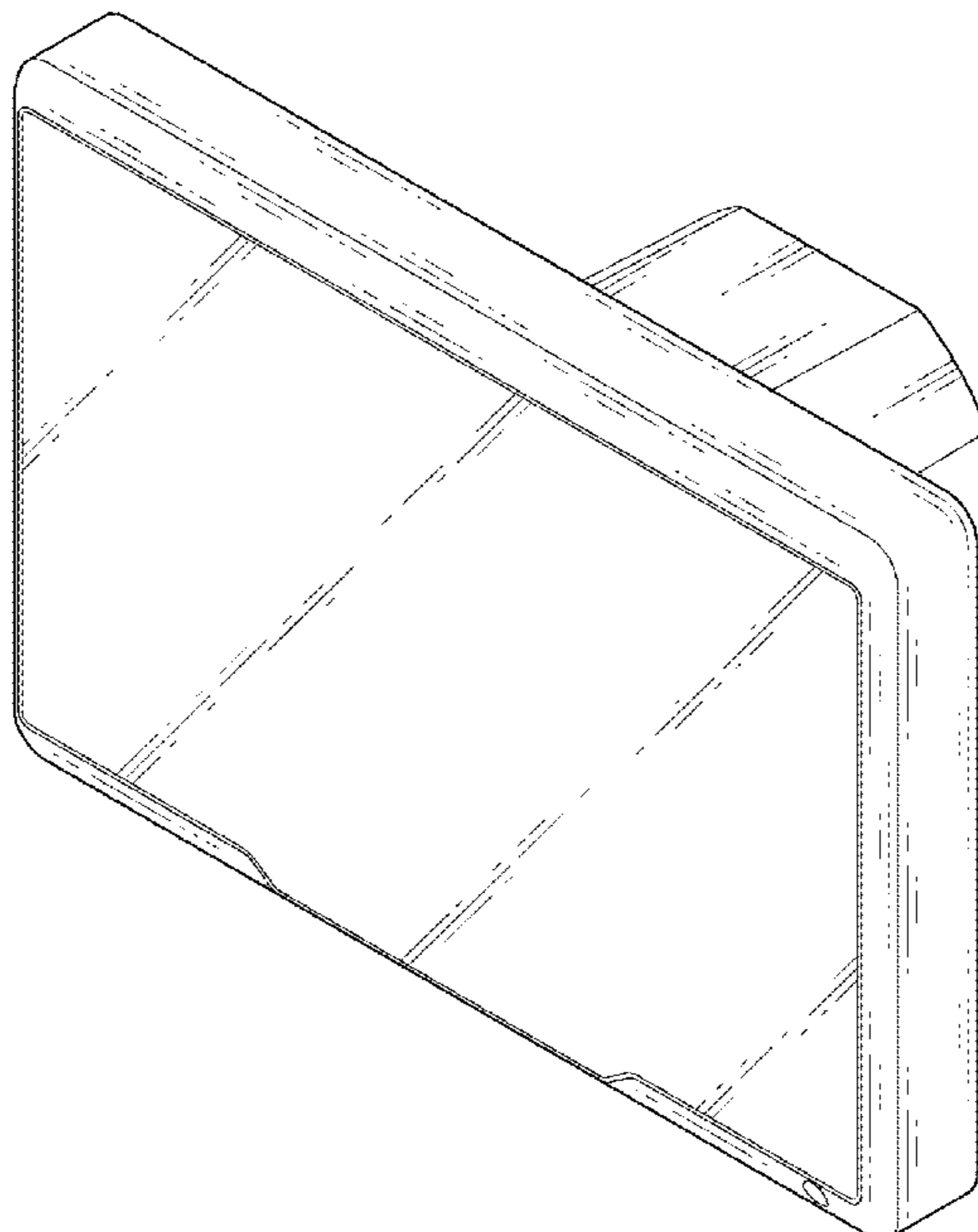


FIG. 1

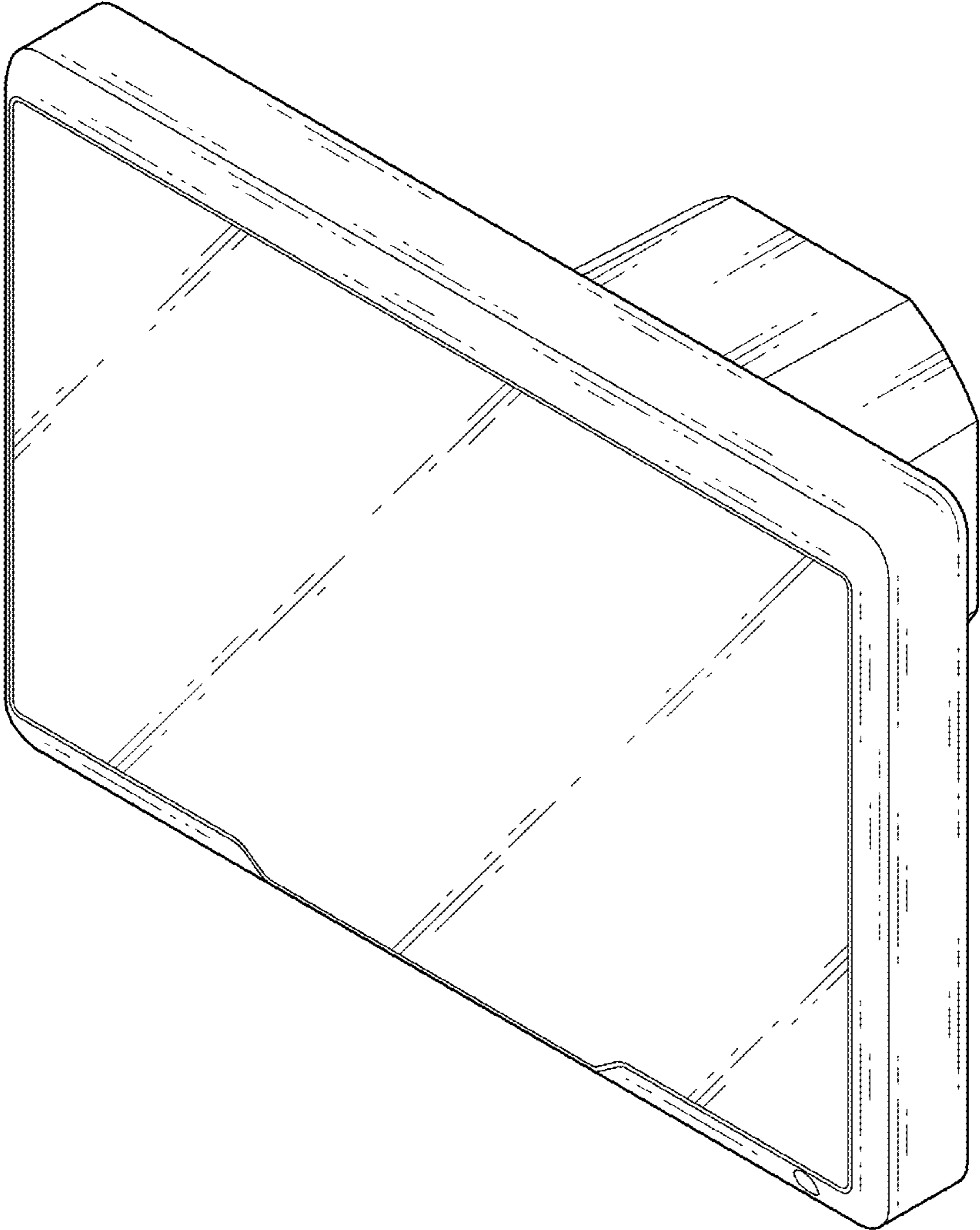


FIG. 2

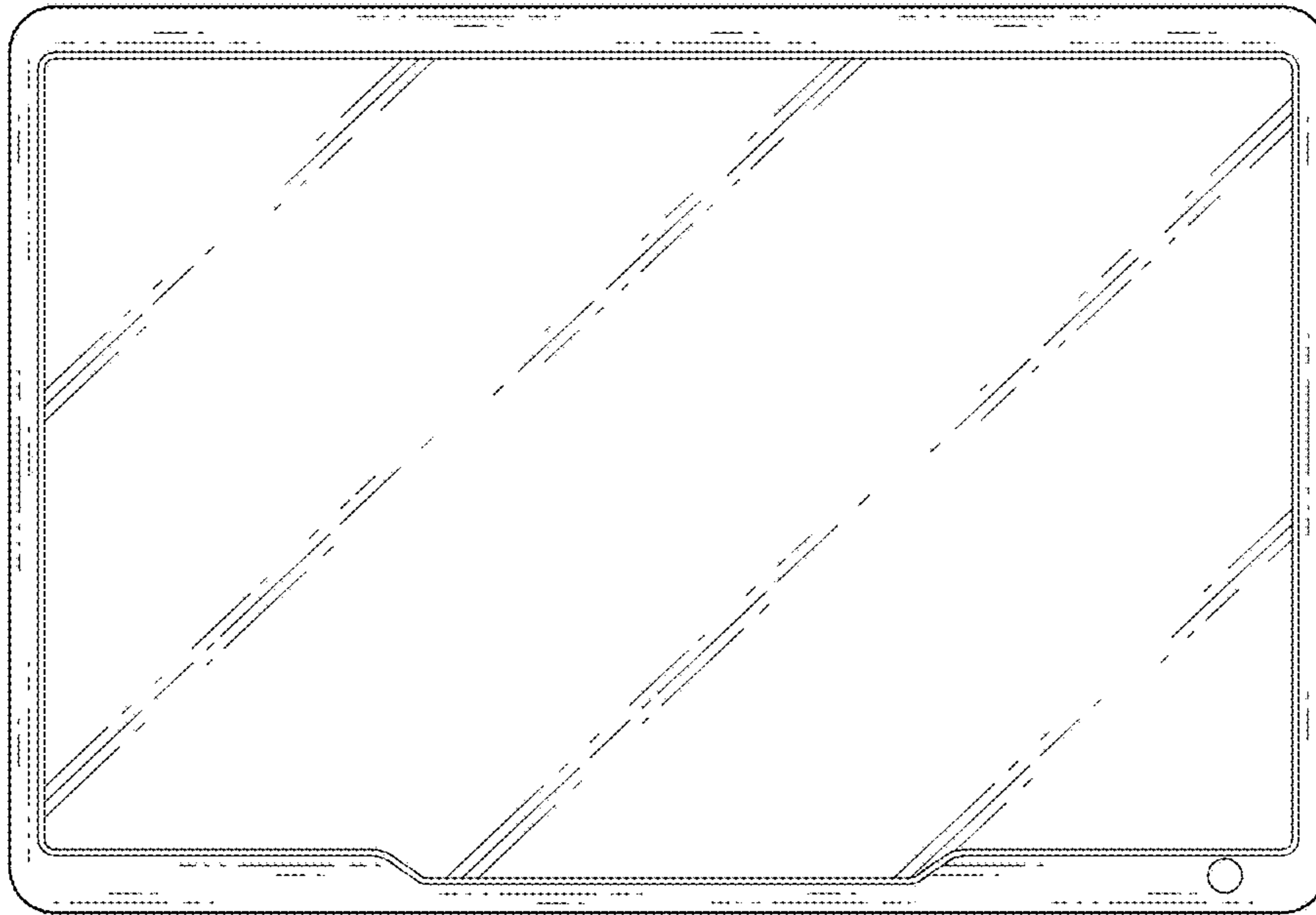


FIG. 3

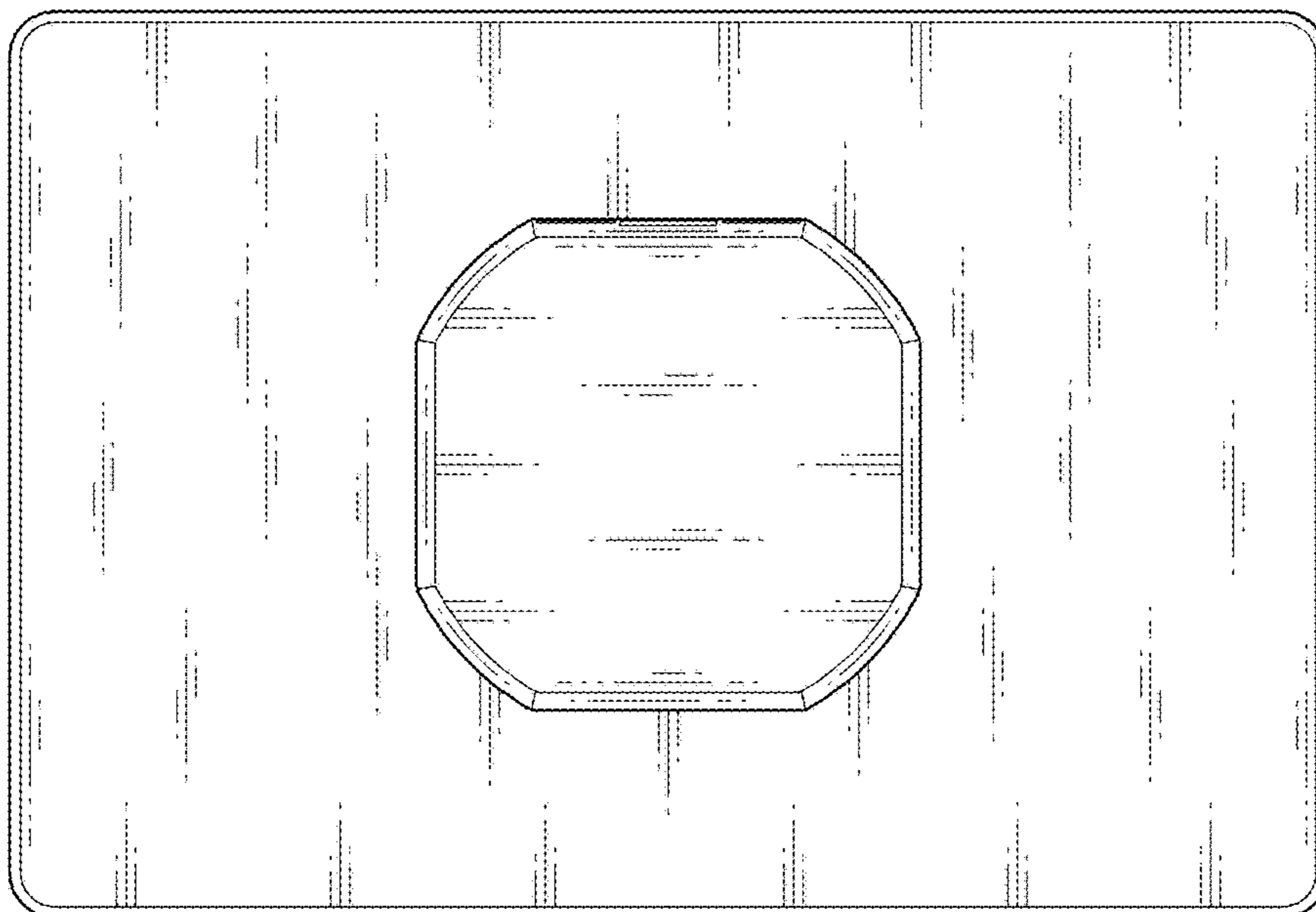


FIG. 4

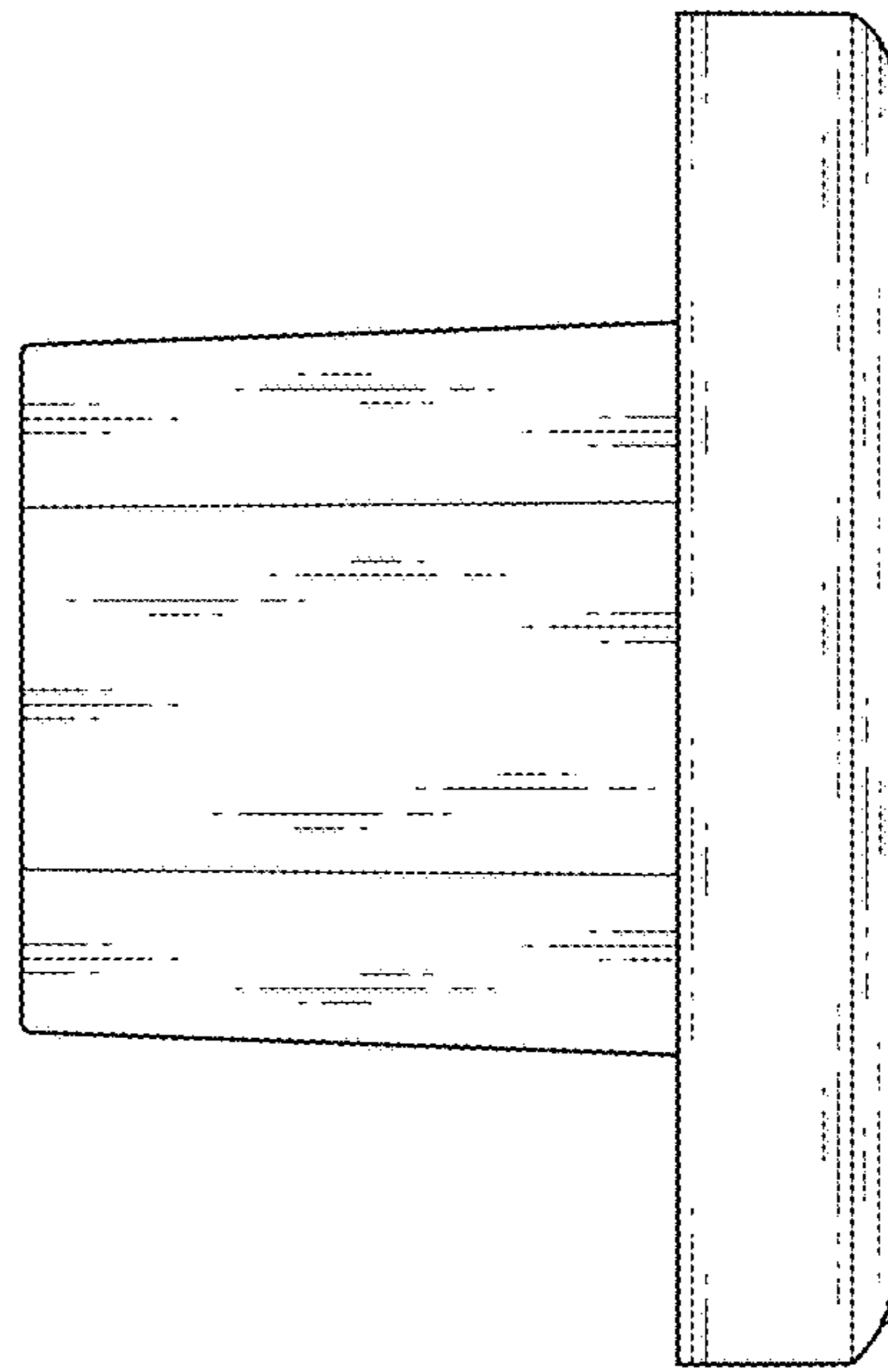


FIG. 5

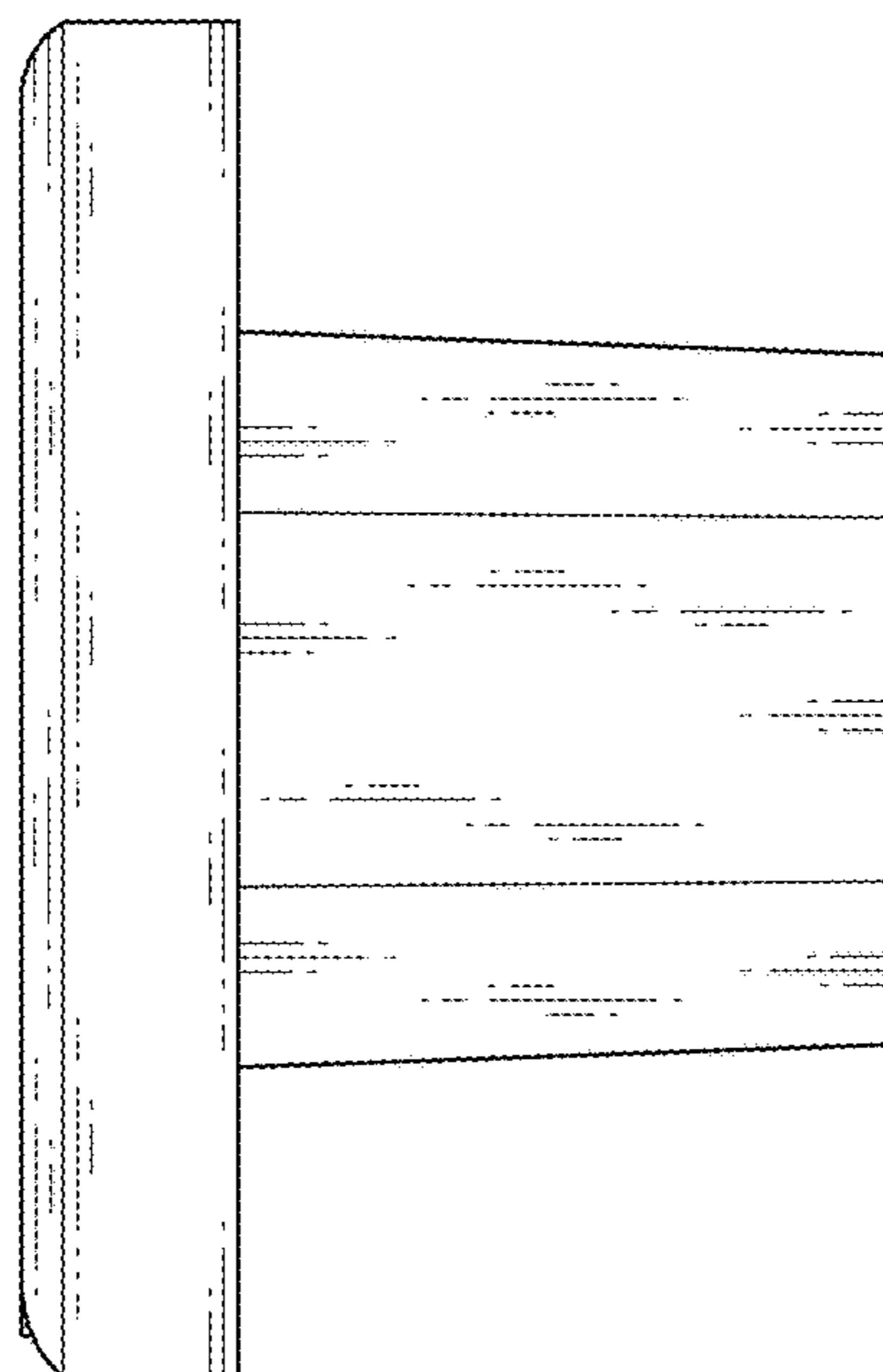


FIG. 6

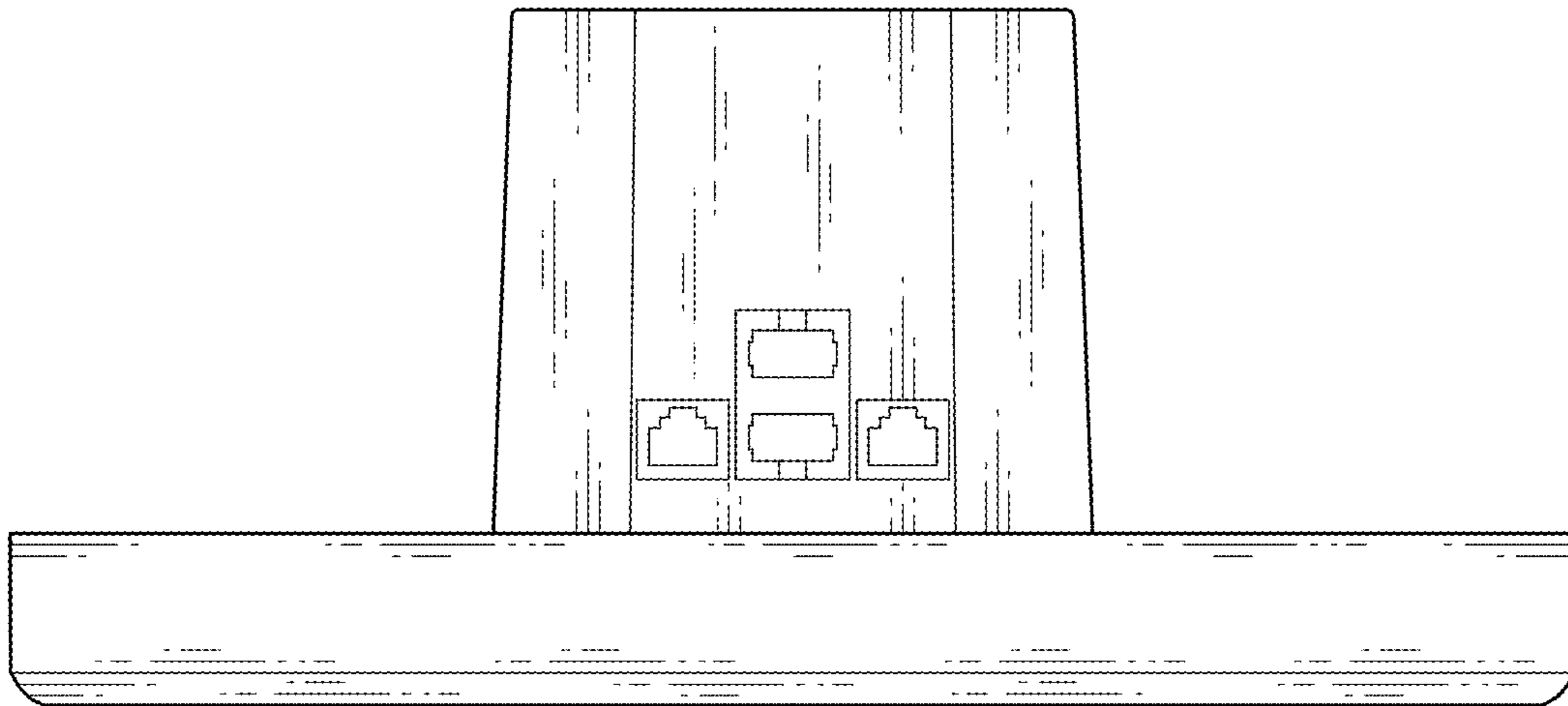


FIG. 7

