



US00D810597S

(12) **United States Design Patent** (10) **Patent No.:** **US D810,597 S**
Burge et al. (45) **Date of Patent:** **** Feb. 20, 2018**

(54) **LEVEL**

FOREIGN PATENT DOCUMENTS

(71) Applicant: **Milwaukee Electric Tool Corporation**,
Brookfield, WI (US)

CN 2242441 Y 12/1996
CN 2254542 Y 5/1997

(Continued)

(72) Inventors: **Joseph Burge**, Milwaukee, WI (US);
Bryant Deakins, Kansasville, WI (US);
Michael Wyatt, Waukesha, WI (US)

OTHER PUBLICATIONS

(73) Assignee: **Milwaukee Electric Tool Corporation**,
Brookfield, WI (US)

Johnson website material, Torpedo Levels, available at <http://www.johnsonlevel.com/C/22/TorpedoLevels>, 2 pages, accessed on Dec. 17, 2015, representative of products that may have been publically available prior to Dec. 8, 2015.

(Continued)

(**) Term: **15 Years**

(21) Appl. No.: **29/564,229**

Primary Examiner — Antoine Duval Davis

(22) Filed: **May 11, 2016**

(74) *Attorney, Agent, or Firm* — Reinhart Boerner Van Deuren s.c.

(51) **LOC (11) Cl.** **10-04**

(52) **U.S. Cl.**
USPC **D10/74**

(58) **Field of Classification Search**
USPC D10/69, 74
CPC . G01C 9/00; G01C 9/005; G01C 9/02; G01C 9/04; G01C 9/06; G01C 9/08; G01C 9/10; G01C 9/12; G01C 9/14; G01C 9/16; G01C 9/18; G01C 9/20; G01C 9/22; G01C 9/24; G01C 9/26; G01C 9/28; G01C 9/30; G01C 9/32; G01C 9/34; G01C 9/36

See application file for complete search history.

(57) **CLAIM**

We claim the ornamental design for a level, as shown and described.

DESCRIPTION

FIG. 1 is a front perspective view from above of an embodiment the claimed design;
FIG. 2 is a rear perspective view from above of the claimed design of FIG. 1;
FIG. 3 is a rear perspective view from below of the claimed design of FIG. 1;
FIG. 4 is a front view of the claimed design of FIG. 1;
FIG. 5 is a rear view of the claimed design of FIG. 1;
FIG. 6 is a right side view of the claimed design of FIG. 1;
FIG. 7 is a left side view of the claimed design of FIG. 1;
FIG. 8 is a top view of the claimed design of FIG. 1; and,
FIG. 9 is a bottom view of the claimed design of FIG. 1.
The ornamental design which is claimed is shown in solid lines in the drawings. The broken lines in the drawings are for illustrative purposes only and form no part of the claimed design.

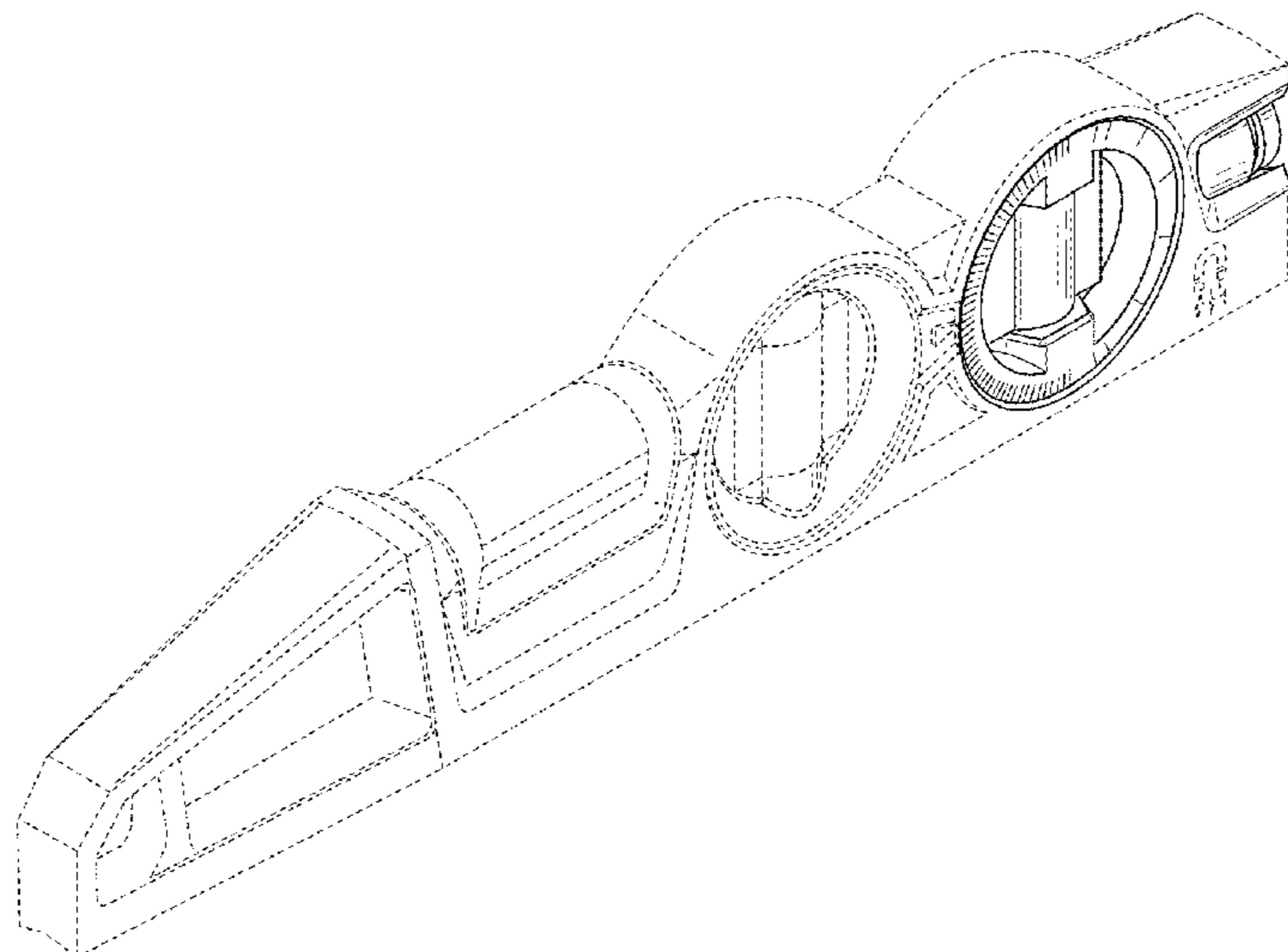
(56) **References Cited**

U.S. PATENT DOCUMENTS

2,789,363 A 4/1957 Miley
3,213,545 A 10/1965 Wright
4,593,475 A 6/1986 Mayes
5,438,761 A 8/1995 Krumszyn et al.
5,546,670 A 8/1996 Chiang
5,713,135 A 2/1998 Acopulos
5,842,282 A 12/1998 Ting

(Continued)

1 Claim, 9 Drawing Sheets



(56)

References Cited

FOREIGN PATENT DOCUMENTS

U.S. PATENT DOCUMENTS

5,992,033 A 11/1999 Scarborough
 6,012,229 A 1/2000 Shiao
 6,148,530 A 11/2000 Jacoff et al.
 6,209,371 B1 4/2001 Guinn
 6,360,446 B1 3/2002 Bijawat et al.
 6,477,781 B1 11/2002 Blatt
 6,560,885 B1 5/2003 Cosentino
 6,568,095 B2 5/2003 Snyder
 6,782,628 B2 8/2004 Liao
 6,834,435 B2 12/2004 Turner
 D503,635 S * 4/2005 Kallabis D10/69
 6,918,187 B2 7/2005 Schaefer
 7,086,166 B2 8/2006 Helda et al.
 7,152,335 B2 12/2006 Nicholas
 7,243,435 B2 7/2007 Morrissey et al.
 7,363,719 B2 4/2008 Levinson et al.
 7,472,487 B2 1/2009 Tran et al.
 7,555,842 B1 7/2009 Asay
 7,600,324 B2 10/2009 Maruyama
 7,946,045 B2 5/2011 Allemand
 8,011,109 B2 9/2011 Christianson et al.
 8,061,051 B2 11/2011 Allemand
 8,336,221 B2 12/2012 Steele et al.
 8,631,584 B2 1/2014 Steele et al.
 8,910,390 B2 12/2014 Steele et al.
 8,914,987 B2 12/2014 Sanchez
 8,925,212 B2 1/2015 Allemand
 9,021,710 B2 5/2015 Silerberg
 2015/0113819 A1 4/2015 Silberberg

CN 2332995 Y 8/1999
 CN 2381998 Y 6/2000
 CN 2557921 Y 6/2003
 CN 2577244 Y 10/2003
 CN 2577247 Y 10/2003
 CN 2639849 Y 9/2004
 CN 2800227 Y 7/2006
 CN 200950060 Y 9/2007
 CN 201210053 Y 3/2009
 CN 201255637 Y 6/2009
 CN 201392198 Y 1/2010
 CN 201463885 U 5/2010
 CN 203190970 U 9/2013
 CN 103727924 A 4/2014
 CN 104121890 A 10/2014
 CN 204027564 U 12/2014
 CN 204085420 U 1/2015
 CN 204313833 U 5/2015
 CN 204479071 U 7/2015
 EP 1122512 B1 11/2003
 TW M436831 9/2012
 WO WO 2013024275 2/2013

OTHER PUBLICATIONS

Empire website material, Torpedo Levels, available at <http://www.empirelevel.com/levels/torpedo-levels/index.php>, 5 pages, accessed on Dec. 17, 2015, representative of products that may have been publically available prior to Dec. 8, 2015.

* cited by examiner

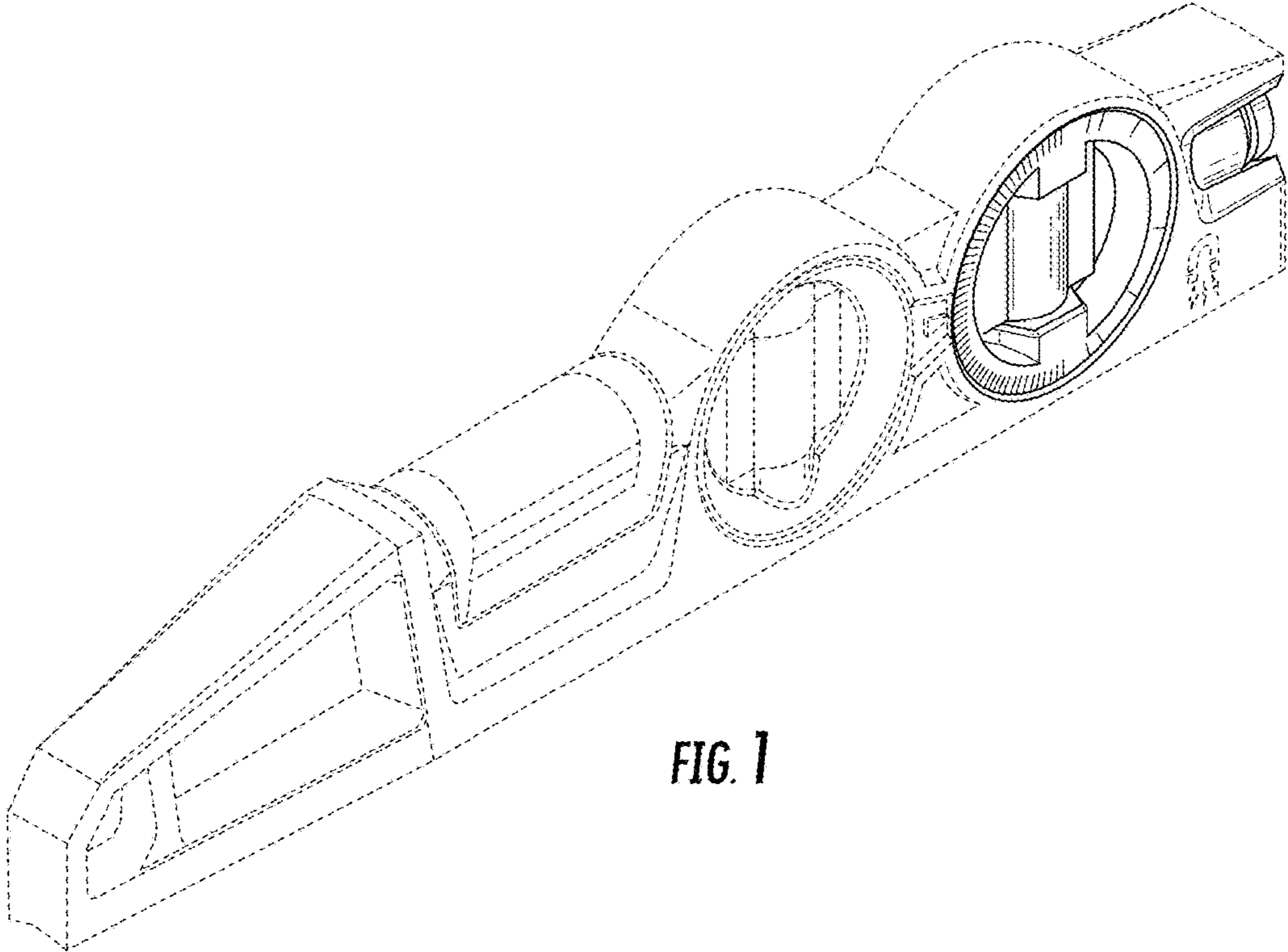


FIG. 1

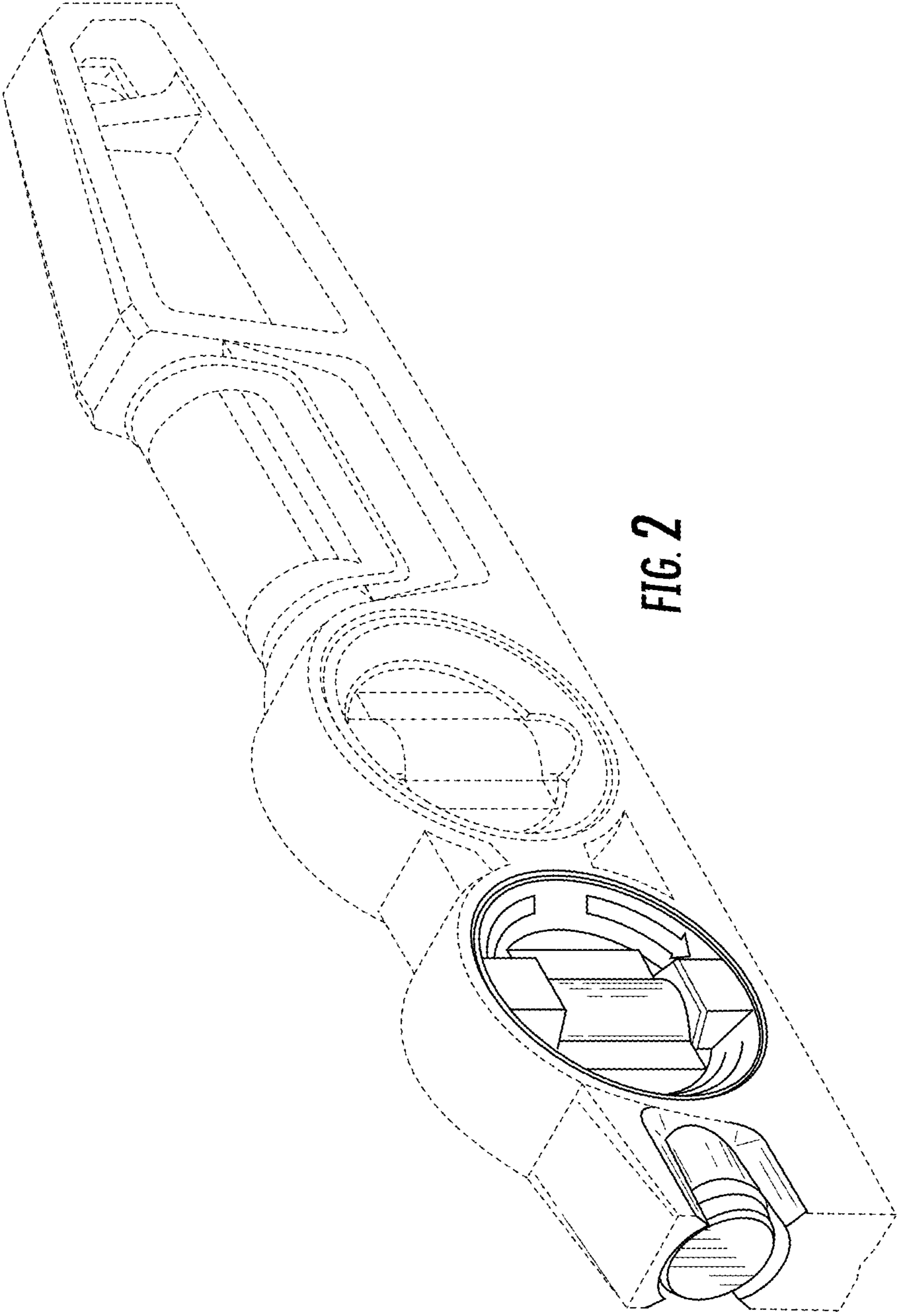


FIG. 2

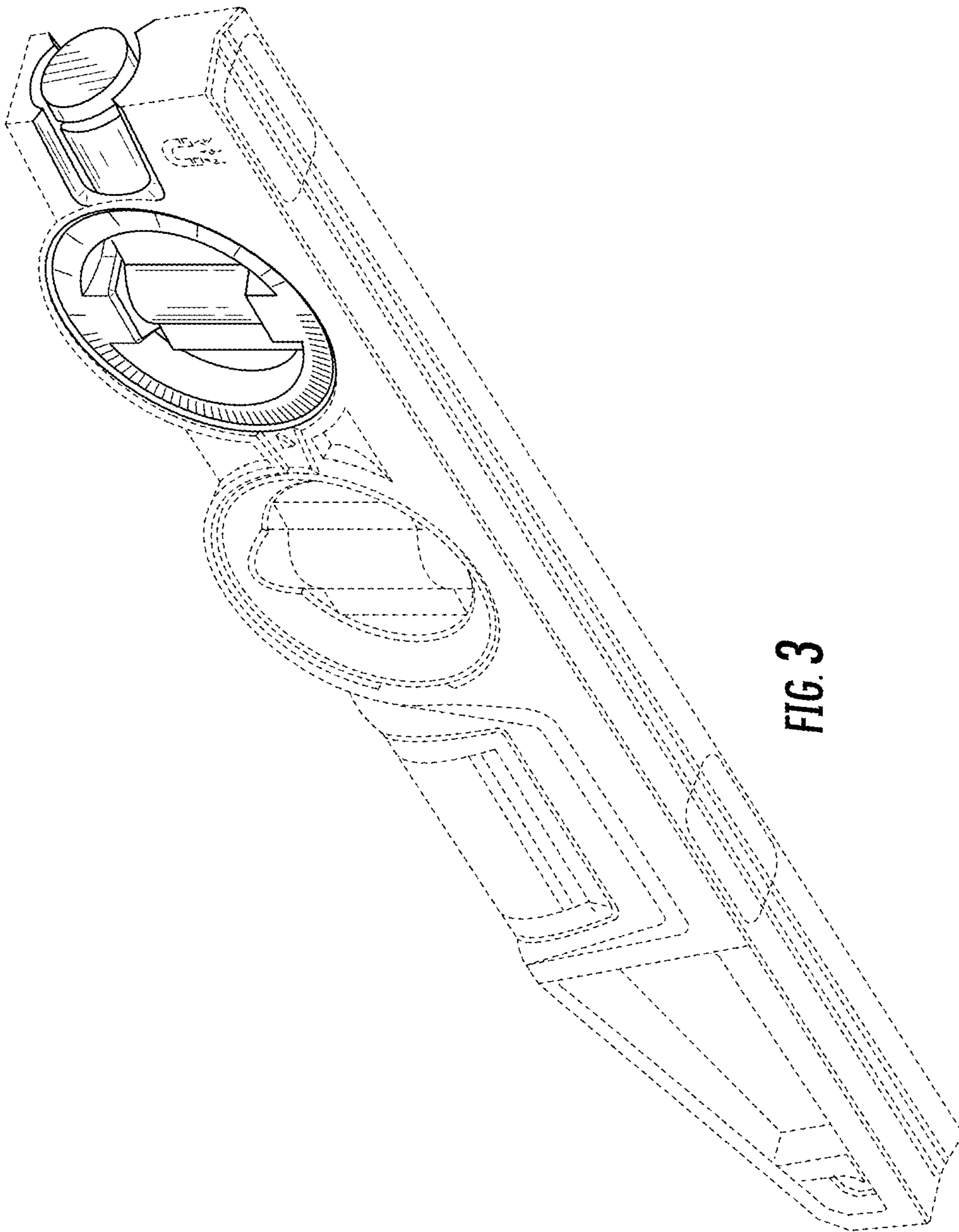


FIG. 3

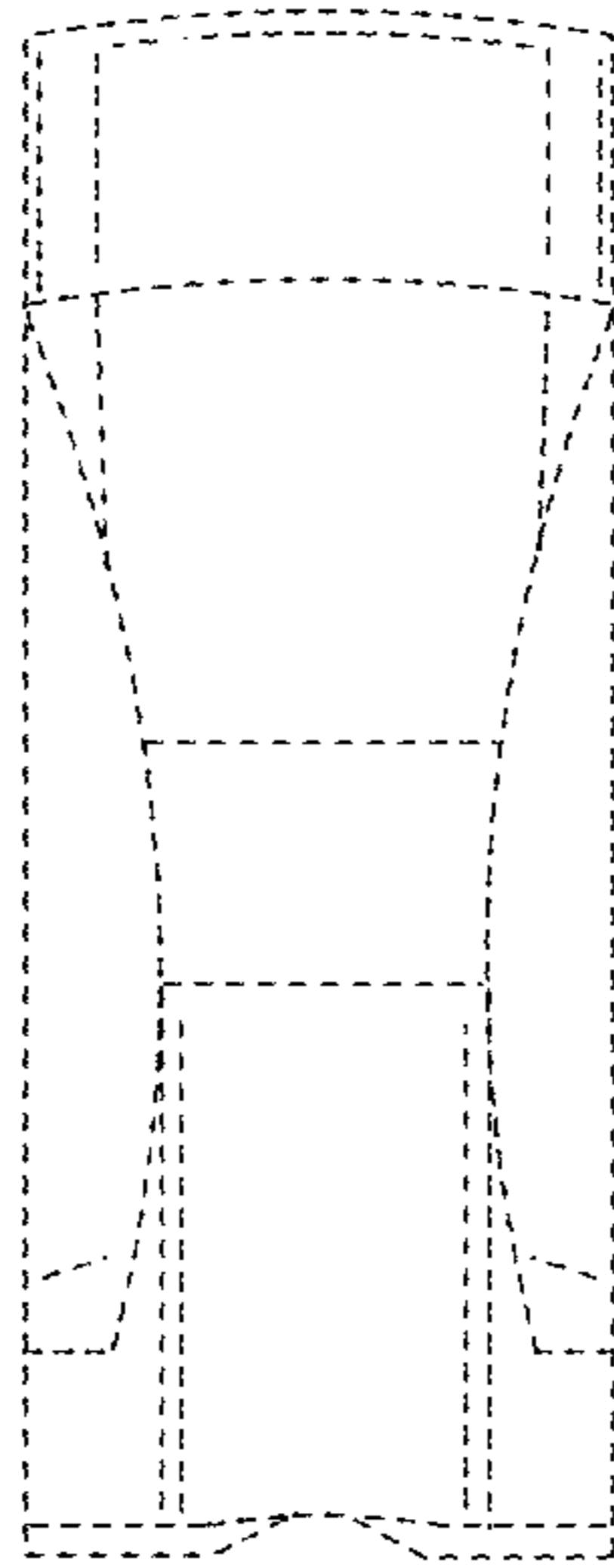


FIG. 4

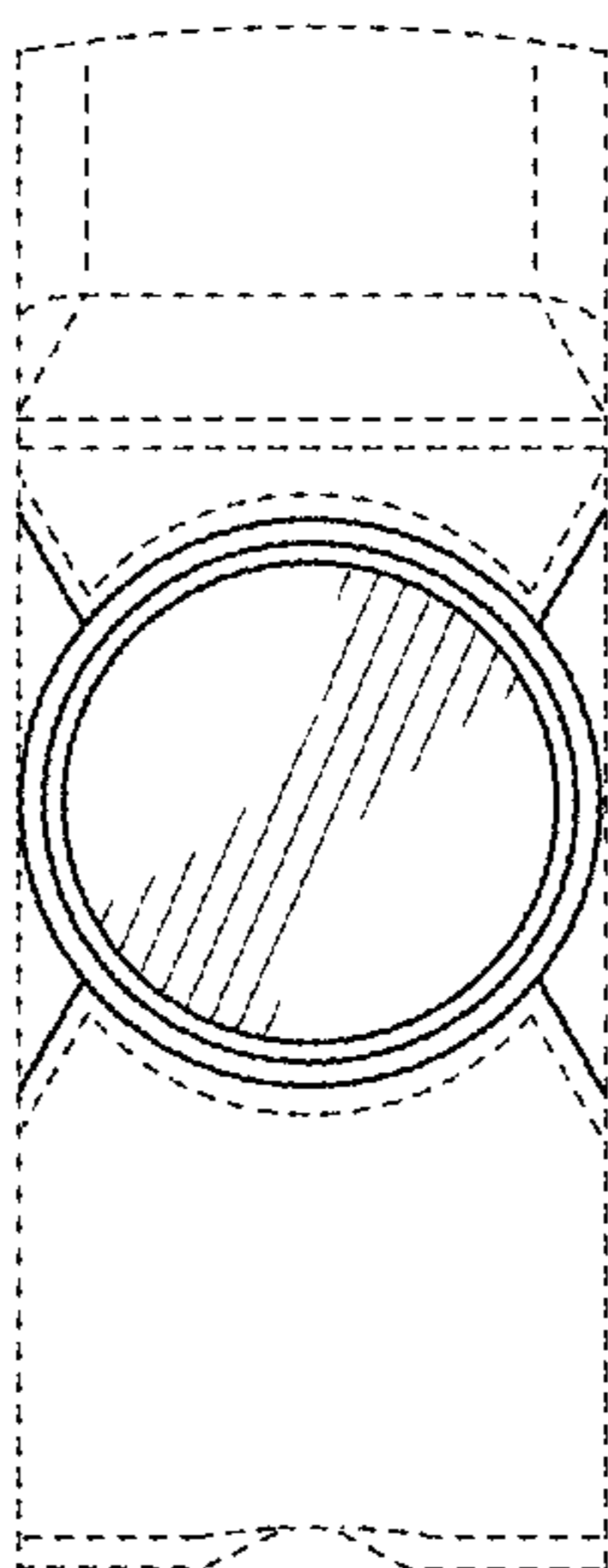


FIG. 5

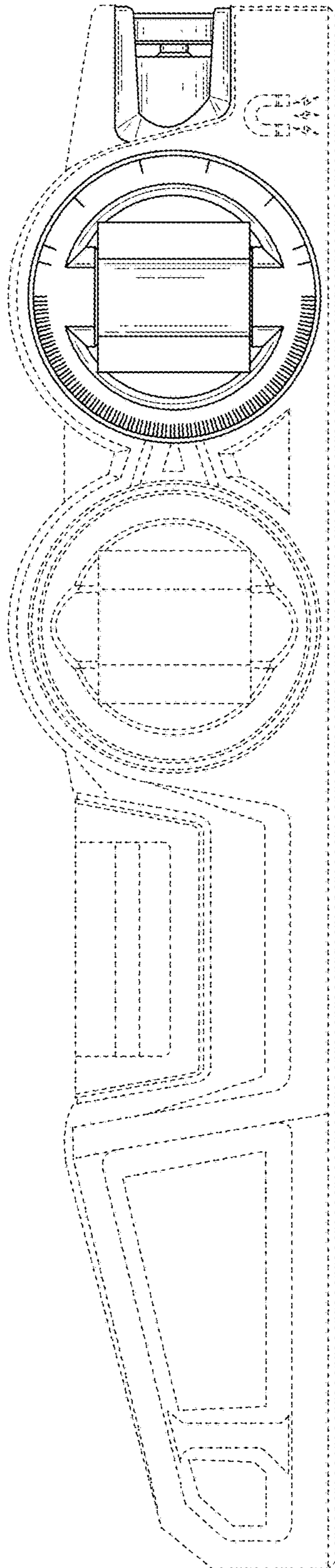


FIG. 6

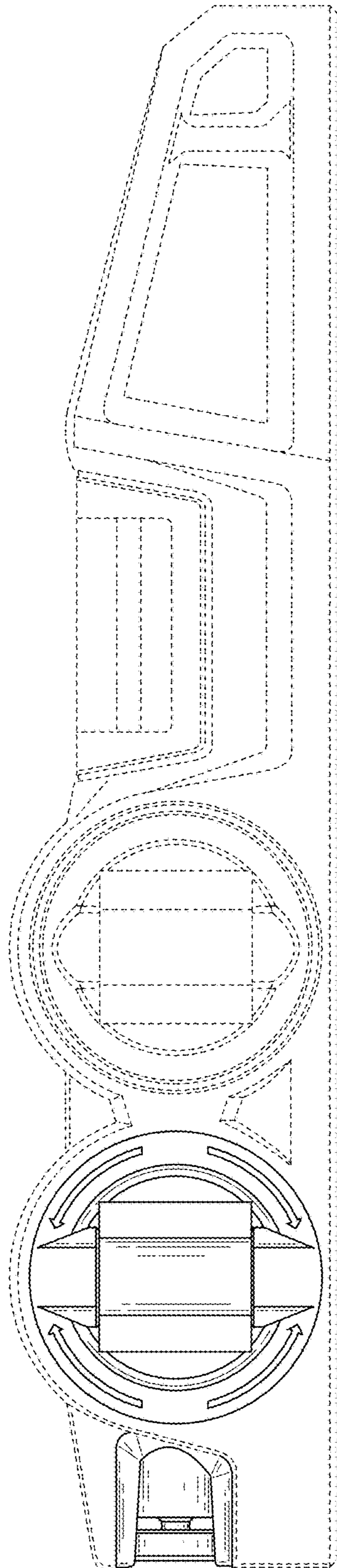


FIG. 7



FIG. 8

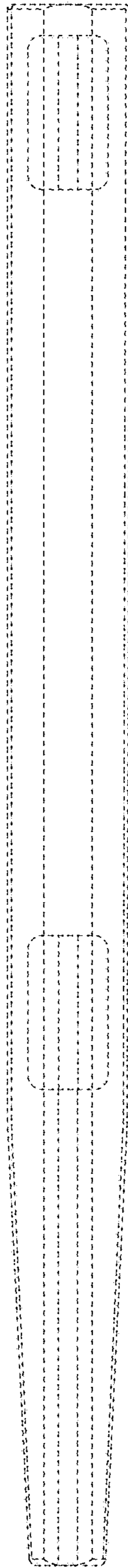


FIG. 9