



US00D810592S

(12) **United States Design Patent**
Zhang

(10) **Patent No.:** **US D810,592 S**

(45) **Date of Patent:** **** Feb. 20, 2018**

- (54) **CONSTRUCTION LEVEL**
- (71) Applicant: **Xin Zhang**, Nanjing (CN)
- (72) Inventor: **Xin Zhang**, Nanjing (CN)
- (**) Term: **15 Years**
- (21) Appl. No.: **29/573,560**
- (22) Filed: **Aug. 8, 2016**
- (51) **LOC (11) Cl.** **10-04**
- (52) **U.S. Cl.**
USPC **D10/69**
- (58) **Field of Classification Search**
USPC D10/69
CPC ... G01C 9/24; G01C 9/26; G01C 9/28; G01C
9/30; G01C 9/32; G01C 9/34; G01C 9/36
See application file for complete search history.

- 7,472,486 B2 * 1/2009 Tran G01C 9/28
33/379
- D598,308 S * 8/2009 Gofer D10/69
- D634,221 S * 3/2011 Wojciechowski D10/69
- D643,320 S * 8/2011 Lewis D10/69
- D646,594 S * 10/2011 Allemand D10/69
- D743,281 S * 11/2015 Wojciechowski D10/69
- D743,818 S * 11/2015 Wojciechowski D10/69
- D751,429 S * 3/2016 Johnson D10/69

* cited by examiner

Primary Examiner — Antoine Duval Davis

(57) **CLAIM**

The ornamental design for the construction level, as shown and described.

DESCRIPTION

FIG. 1 is perspective view of the construction level of my design.

FIG. 2 is a left perspective side view thereof.

FIG. 3 is a right perspective view thereof.

FIG. 4 is a top and bottom view thereof.

FIG. 5 is a front view thereof.

FIG. 6 is a rear side view thereof; and,

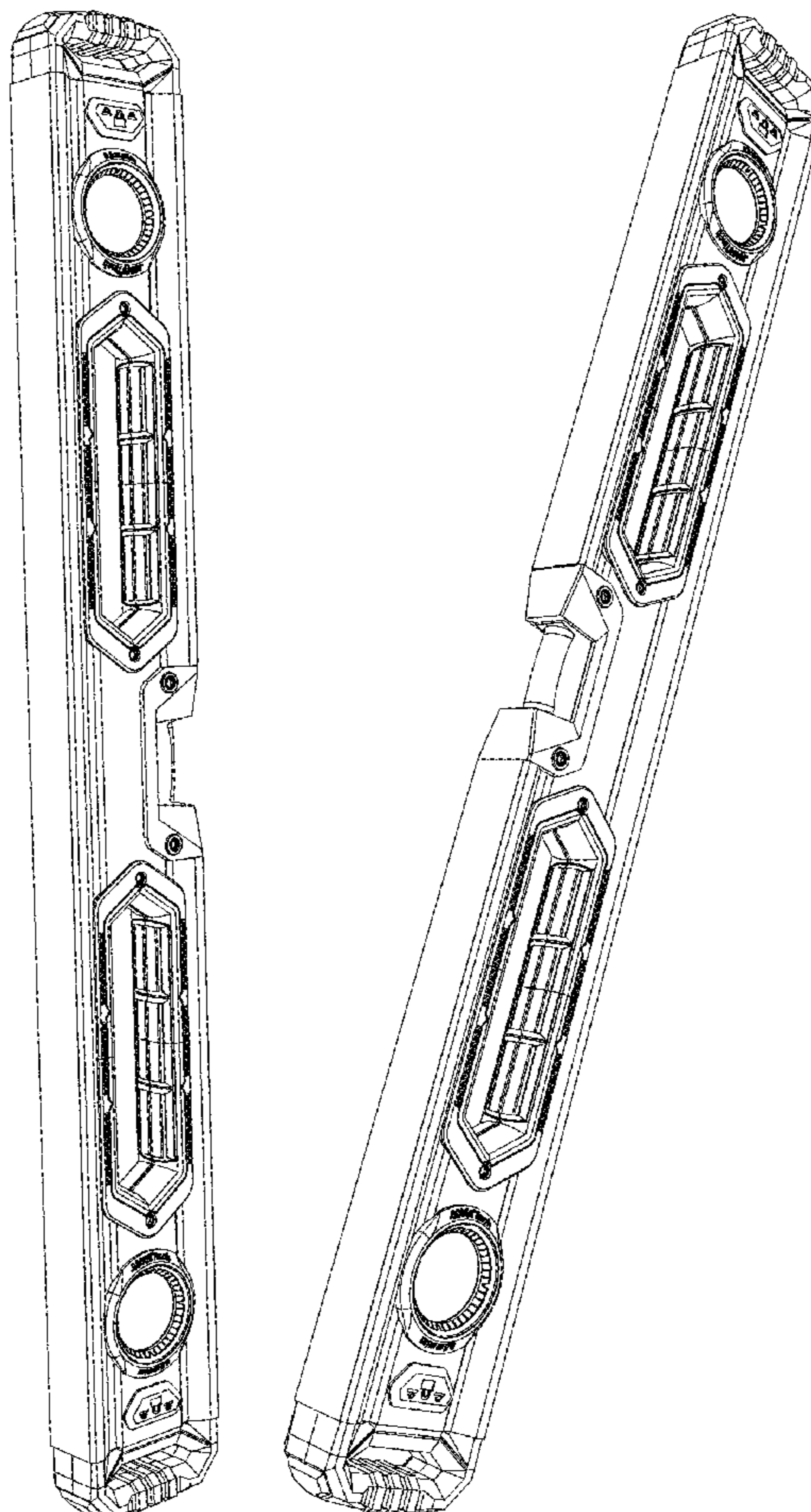
FIG. 7 is a right and left side view thereof.

(56) **References Cited**

U.S. PATENT DOCUMENTS

- D498,152 S * 11/2004 Hickey D10/69
- D582,808 S * 12/2008 Cook D10/69
- 7,464,479 B2 * 12/2008 Tran G01C 25/00
33/379

1 Claim, 3 Drawing Sheets



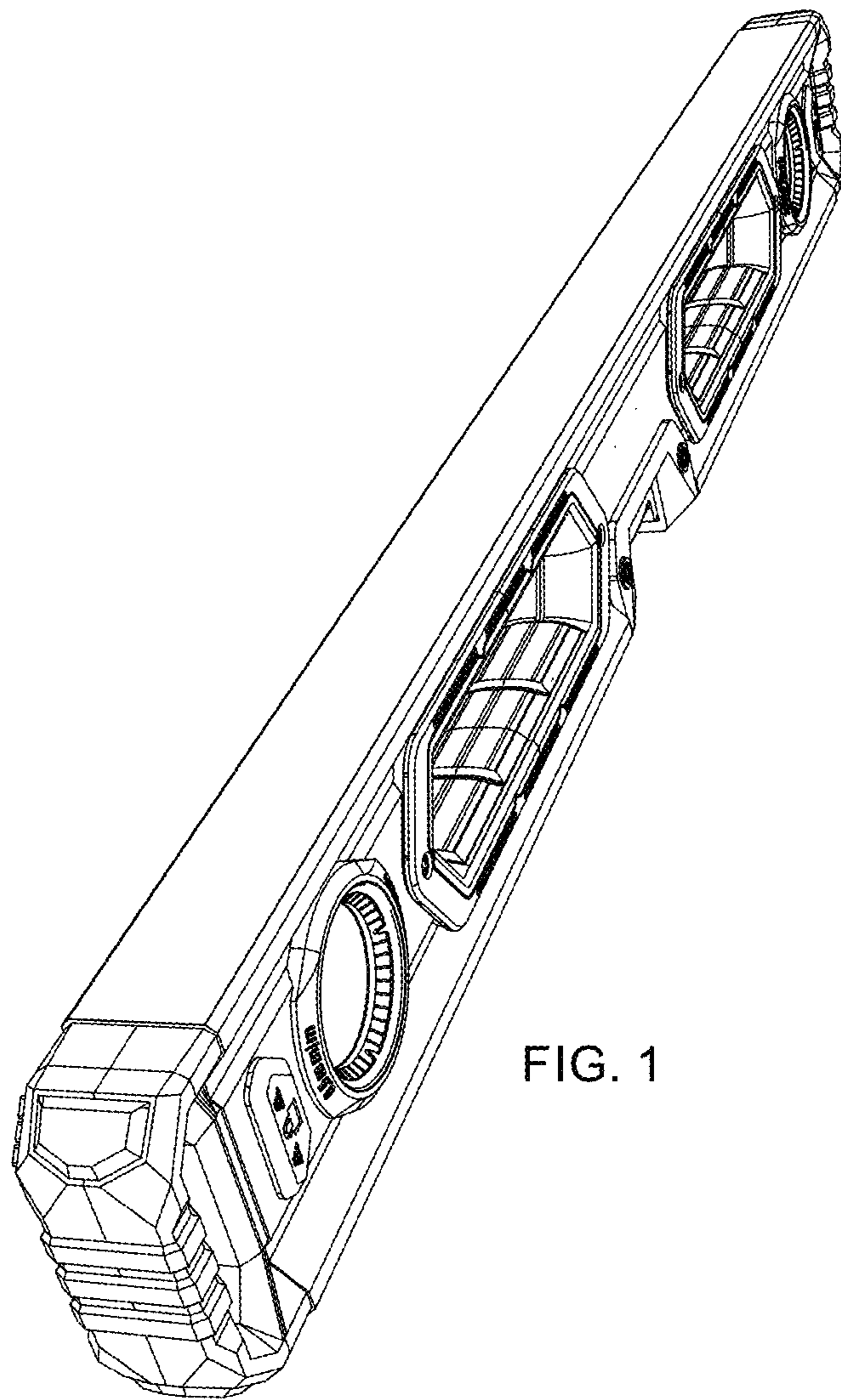


FIG. 1

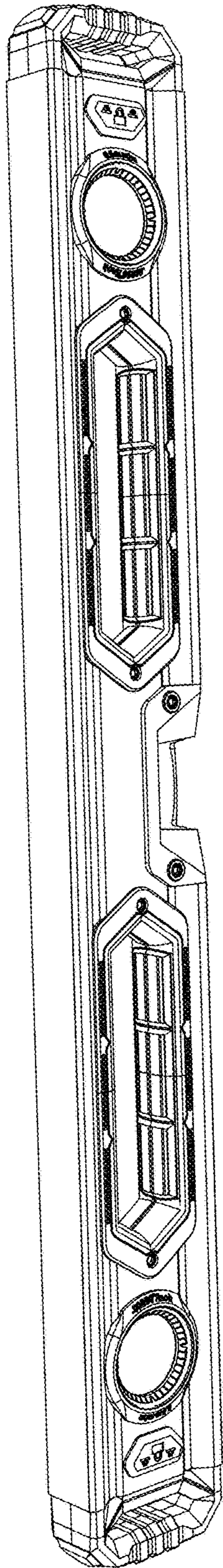


FIG. 2

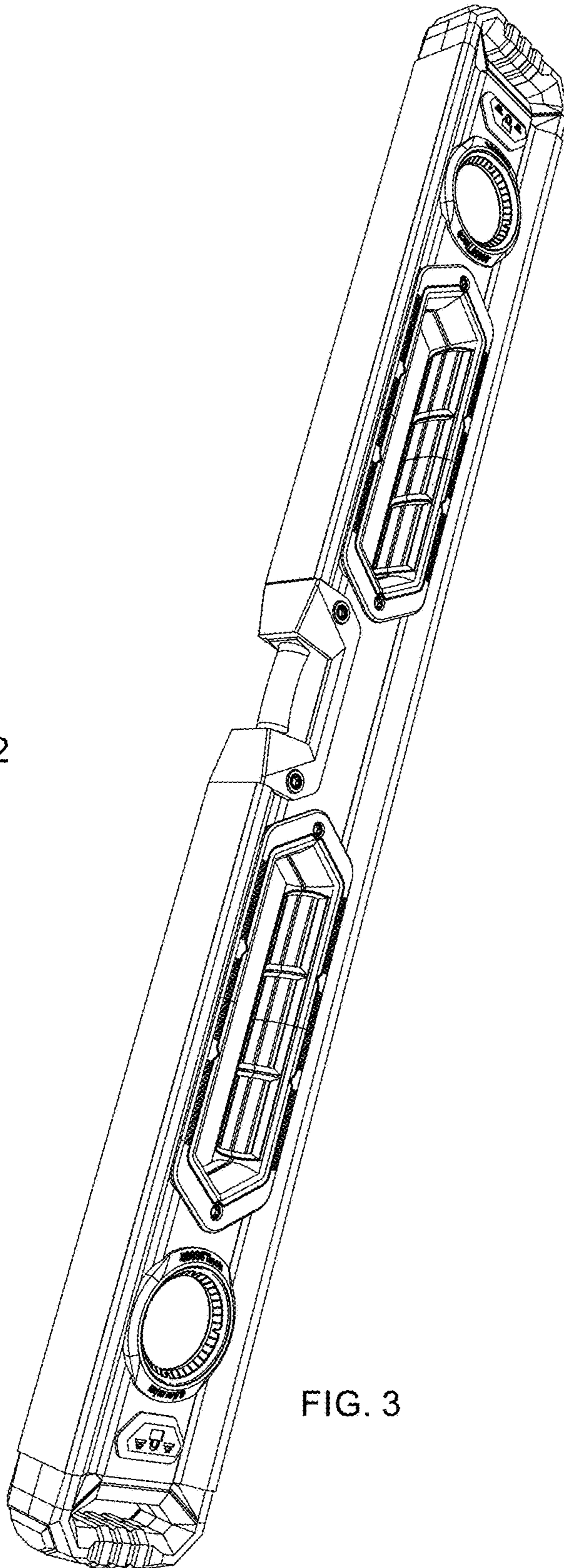


FIG. 3

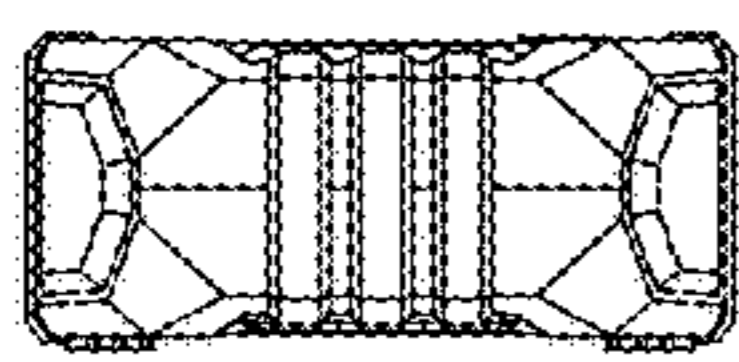


FIG. 4

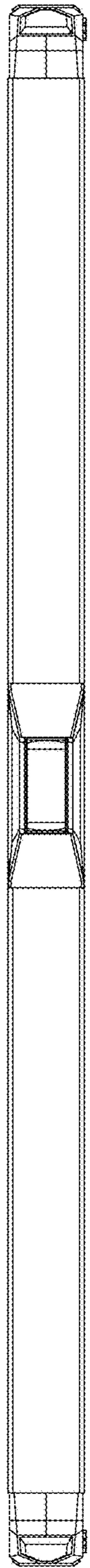


FIG. 5

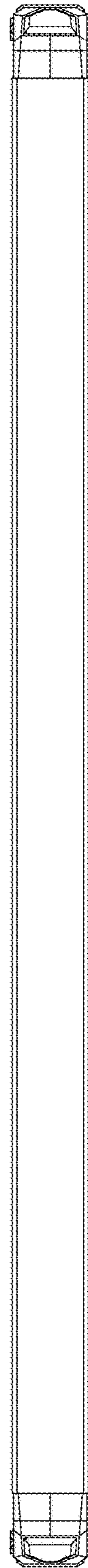


FIG. 6

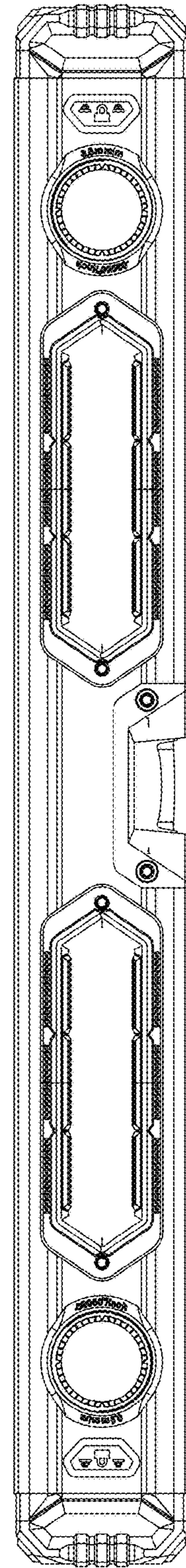


FIG. 7