



US00D810591S

(12) **United States Design Patent** (10) **Patent No.:** **US D810,591 S**
Ribbich et al. (45) **Date of Patent:** **** Feb. 20, 2018**

(54) **THERMOSTAT**

11/0009; F24F 11/001; F24F 2011/0057;
F24F 2011/0073; F24F 2011/0091

(71) Applicant: **Johnson Controls Technology Company**, Plymouth, MI (US)

See application file for complete search history.

(72) Inventors: **Joseph R. Ribbich**, Waukesha, WI (US); **Julio A. Abdala**, SW Ranches, FL (US); **Juan Guillermo Alvarez**, Weston, FL (US); **Felippe M Bicudo**, Fort Lauderdale, FL (US); **Vinosh C. Diptee**, Boynton Beach, FL (US); **Patricia Ellis Douglass**, Pompano Beach, FL (US); **Hao A. Nguyen**, Lake Worth, FL (US); **Claudio Santiago Ribeiro**, Evanston, IL (US); **Amit Verma**, Sunrise, FL (US)

(56) **References Cited**

U.S. PATENT DOCUMENTS

D255,013	S	*	5/1980	O'Brien	D10/60
D290,818	S	*	7/1987	Tomozawa	D10/49
D506,150	S		6/2005	Backlund et al.		
D506,687	S		6/2005	Takach et al.		
D506,689	S		6/2005	Backlund et al.		
D509,151	S		9/2005	Takach et al.		
D520,386	S		5/2006	Takach et al.		
D520,885	S		5/2006	Takach et al.		
D524,663	S		7/2006	Moore		
D525,154	S		7/2006	Moore		
D525,541	S		7/2006	Barton et al.		
D527,288	S		8/2006	Moore		
D527,658	S		9/2006	Moore		

(Continued)

(73) Assignee: **Johnson Controls Technology Company**, Auburn Hills, MI (US)

Primary Examiner — Antoine Duval Davis

(**) Term: **15 Years**

(74) *Attorney, Agent, or Firm* — Foley & Lardner LLP

(21) Appl. No.: **29/563,447**

(57) **CLAIM**

(22) Filed: **May 4, 2016**

We claim the ornamental design for a thermostat, as shown and described.

Related U.S. Application Data

DESCRIPTION

(63) Continuation-in-part of application No. 29/548,334, filed on Dec. 11, 2015.

FIG. 1 is a front perspective view from above of the claimed design for a thermostat;

(51) **LOC (11) Cl.** **10-04**

FIG. 2 is a front side view of the claimed design of FIG. 1;

(52) **U.S. Cl.**
USPC **D10/60**

FIG. 3 is a rear side view of the claimed design of FIG. 1;

(58) **Field of Classification Search**

USPC D10/49, 50, 60
CPC . F23N 5/20; F23N 5/203; F23N 5/206; F23N 5/18; F23N 5/184; F23N 5/187; F23N 5/22; F23N 2025/12; F23N 2041/02; F24F 11/00; F24F 11/0012; F24F

FIG. 4 is a right side view of the claimed design of FIG. 1;

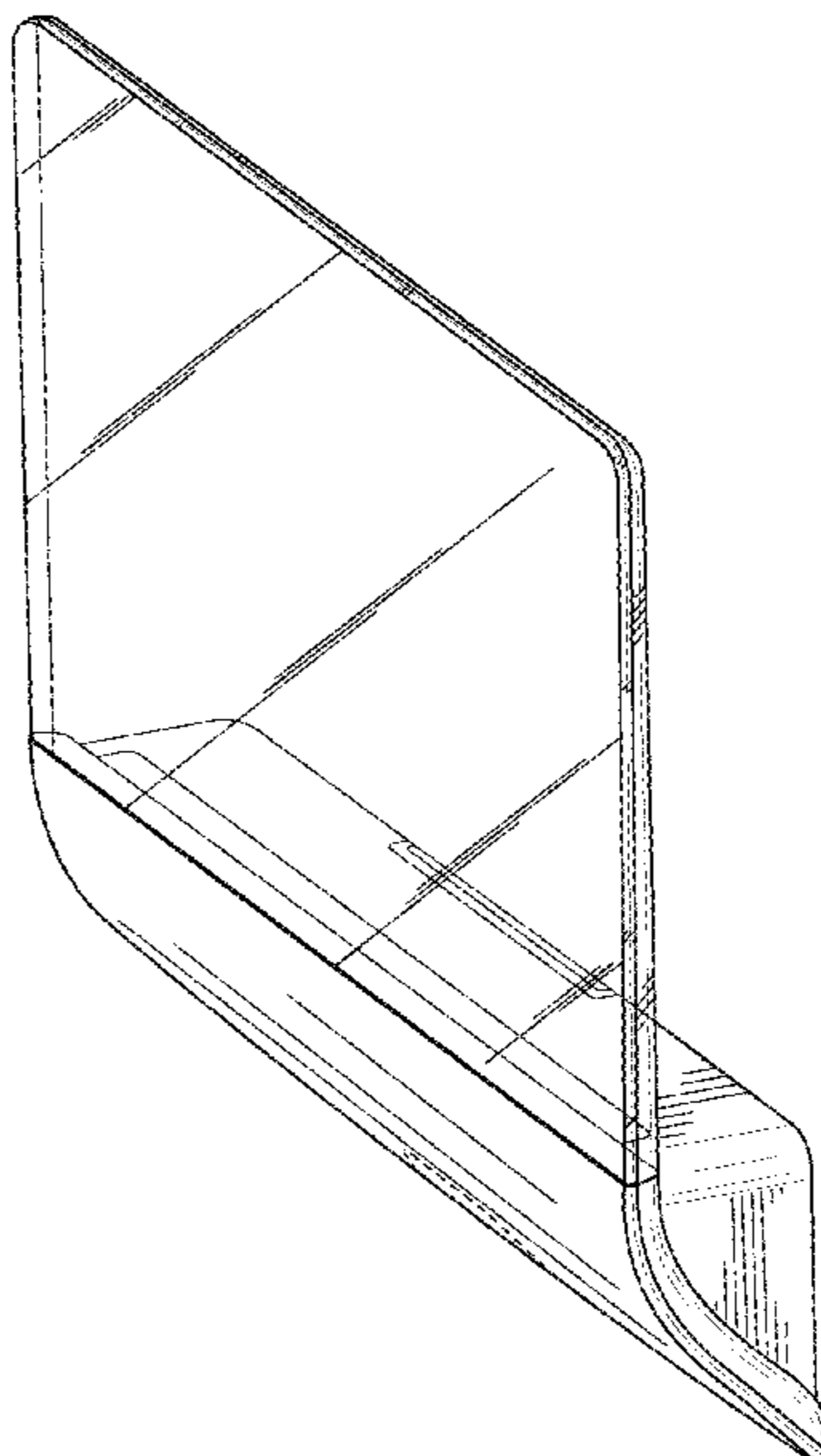
FIG. 5 is a left side view of the claimed design of FIG. 1;

FIG. 6 is a top view of the claimed design of FIG. 1; and,

FIG. 7 is a bottom view of the claimed design of FIG. 1.

The broken lines in the drawings form no part of the claimed design.

1 Claim, 7 Drawing Sheets



(56)

References Cited

U.S. PATENT DOCUMENTS

D530,633 S	10/2006	Moore	D589,822 S	4/2009	Rhodes
D531,526 S	11/2006	Barton et al.	D590,730 S	4/2009	Simard et al.
D531,527 S	11/2006	Moore	D596,964 S	7/2009	Wang et al.
D531,528 S	11/2006	Moore	D610,027 S	2/2010	Li et al.
D533,793 S	12/2006	Moore	D646,990 S	10/2011	Rhodes
D534,088 S	12/2006	Moore	D655,210 S	3/2012	Narayanamurthy et al.
D534,443 S	1/2007	Moore	D659,560 S	5/2012	Rhodes
D535,572 S	1/2007	Takach et al.	D662,837 S	7/2012	Morrow
D535,573 S	1/2007	Barton et al.	D662,838 S	7/2012	Morrow
D536,271 S	2/2007	Moore	D662,839 S	7/2012	Morrow
D541,184 S	4/2007	Barton et al.	D662,840 S	7/2012	Morrow
D542,677 S	5/2007	Barton et al.	D663,224 S	7/2012	Morrow
D551,577 S	9/2007	Barton et al.	D666,508 S	9/2012	Beland et al.
D553,022 S	10/2007	McGuire et al.	D666,509 S	9/2012	Beland et al.
D556,060 S	11/2007	McGuire et al.	D666,510 S	9/2012	Beland et al.
D556,607 S	12/2007	Beland et al.	D667,740 S	9/2012	Leung
D556,608 S	12/2007	Rhodes	D672,666 S	12/2012	Rhodes et al.
D556,609 S	12/2007	Rhodes	D678,084 S	3/2013	Beland et al.
RE40,190 E	4/2008	Takach et al.	D688,955 S	9/2013	Deligiannis et al.
D578,026 S	10/2008	Roher et al.	D699,130 S	2/2014	Rhodes et al.
D580,801 S	11/2008	Takach et al.	D705,095 S	5/2014	Steinberg et al.
D582,800 S	12/2008	Comerford et al.	D715,165 S	10/2014	Deligiannis et al.
D582,801 S	12/2008	Comerford et al.	D715,166 S	10/2014	Rhodes
D582,802 S	12/2008	Branson et al.	D720,633 S	1/2015	Novotny et al.
D582,803 S	12/2008	Comerford et al.	D725,524 S	3/2015	Takach et al.
			D737,153 S	8/2015	Lombard et al.
			D750,980 S	3/2016	Takach et al.

* cited by examiner

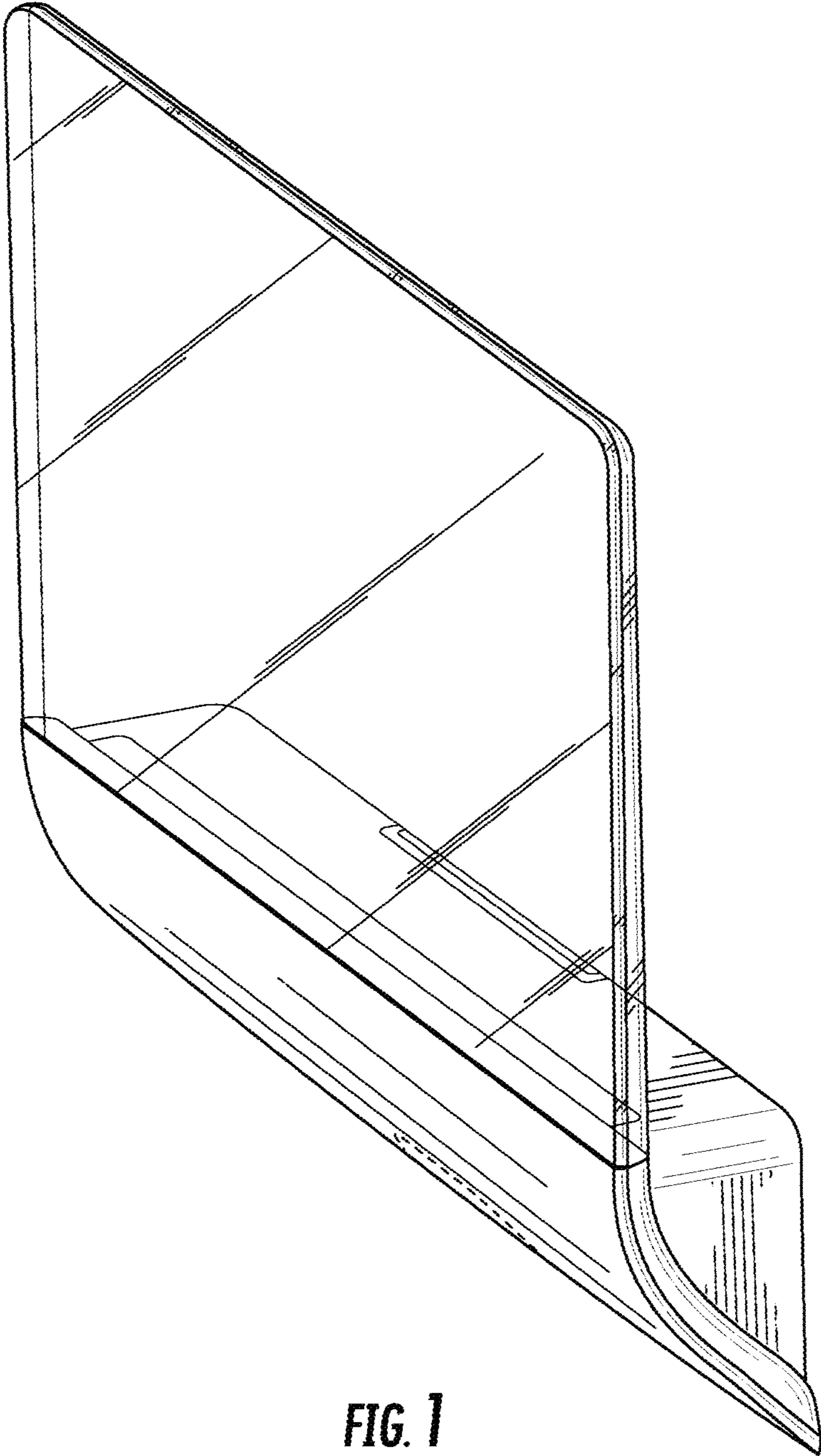


FIG. 1

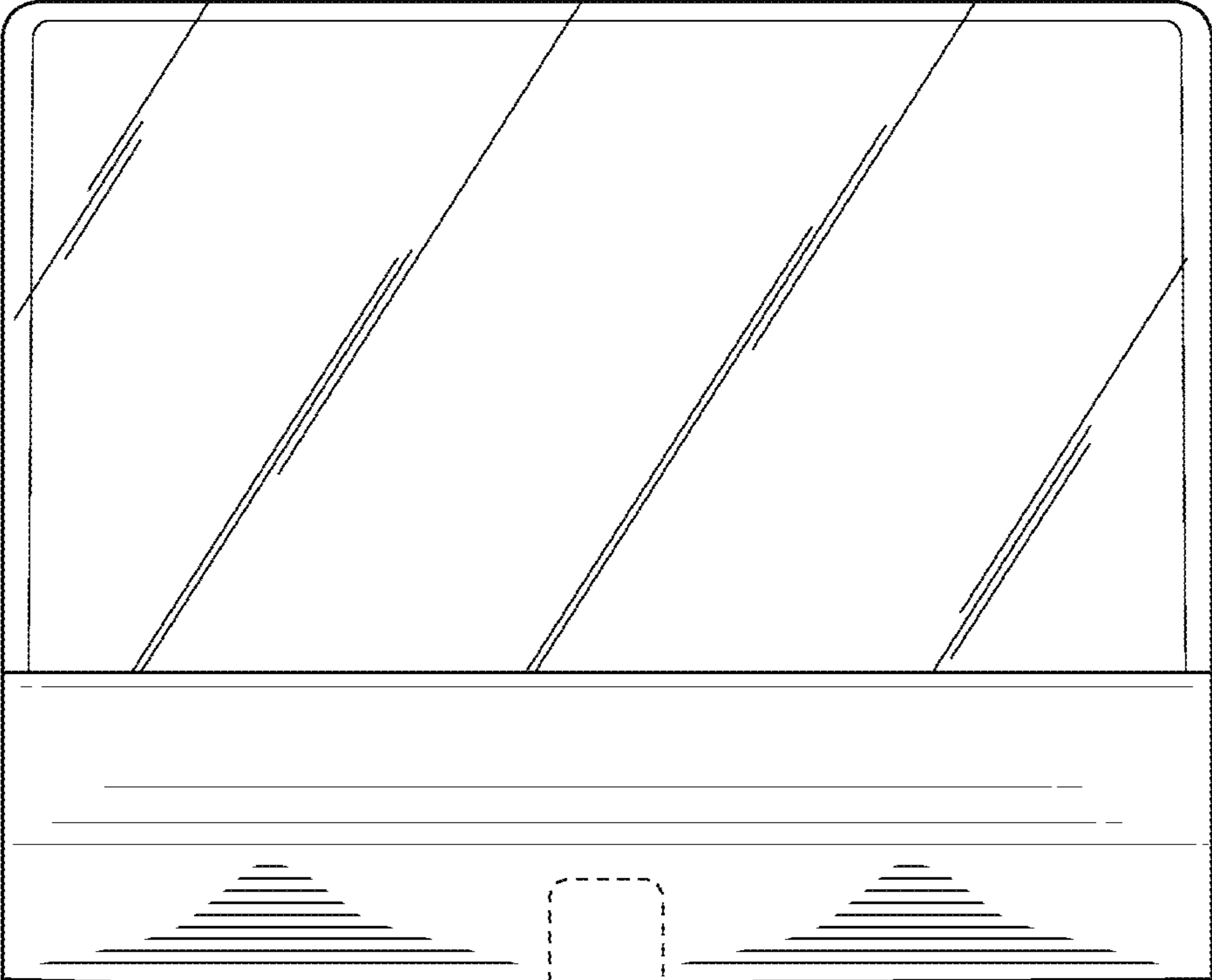


FIG. 2

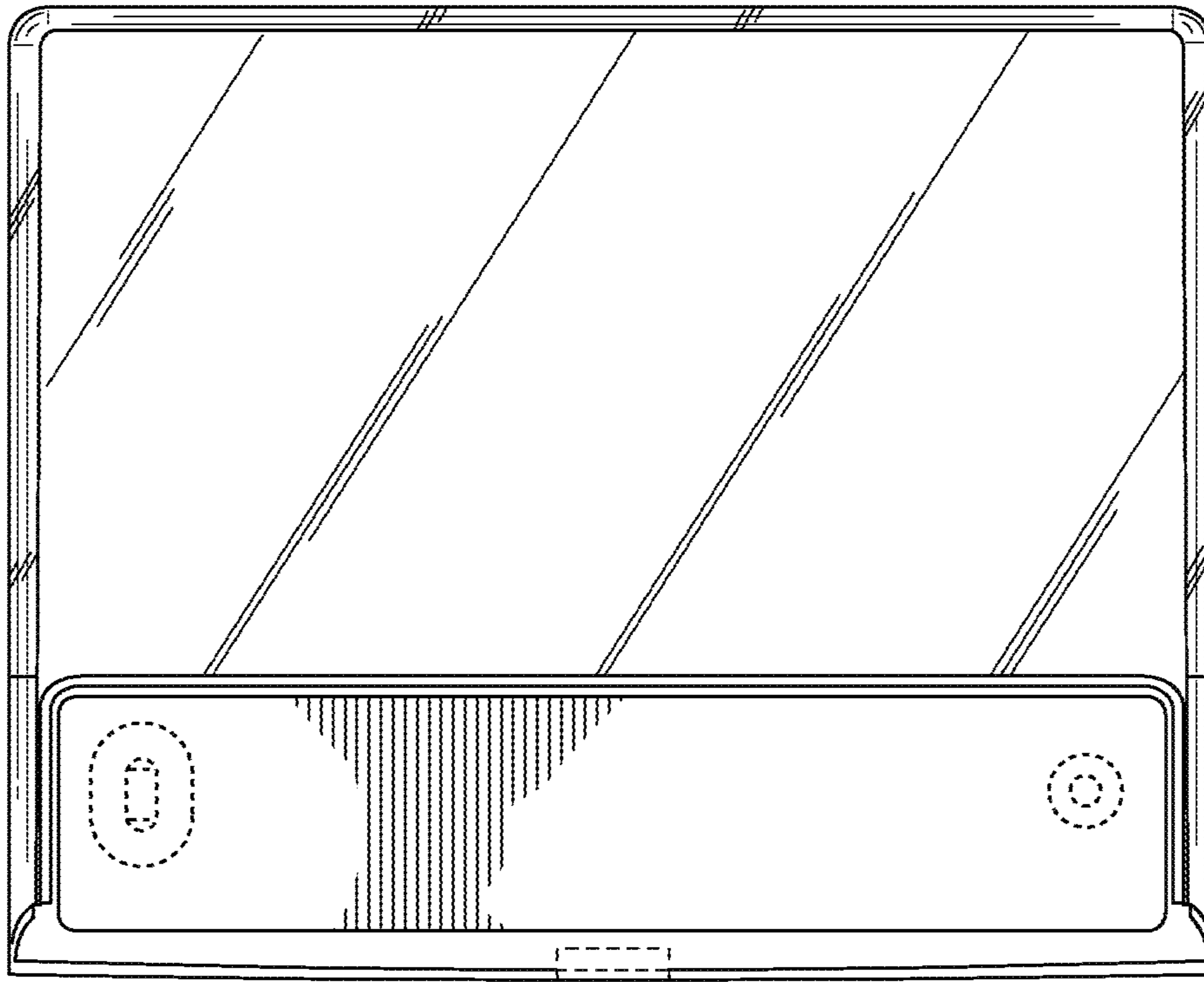


FIG. 3



FIG. 4

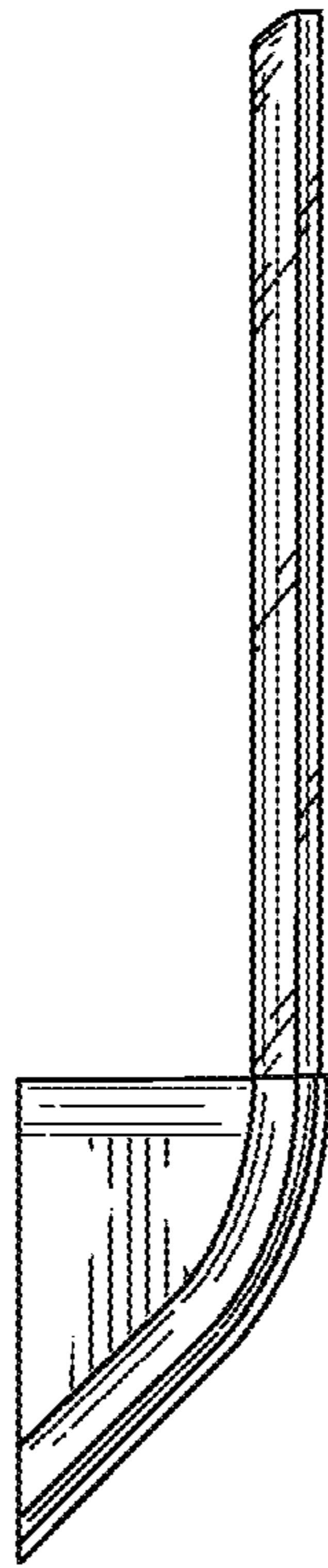


FIG. 5

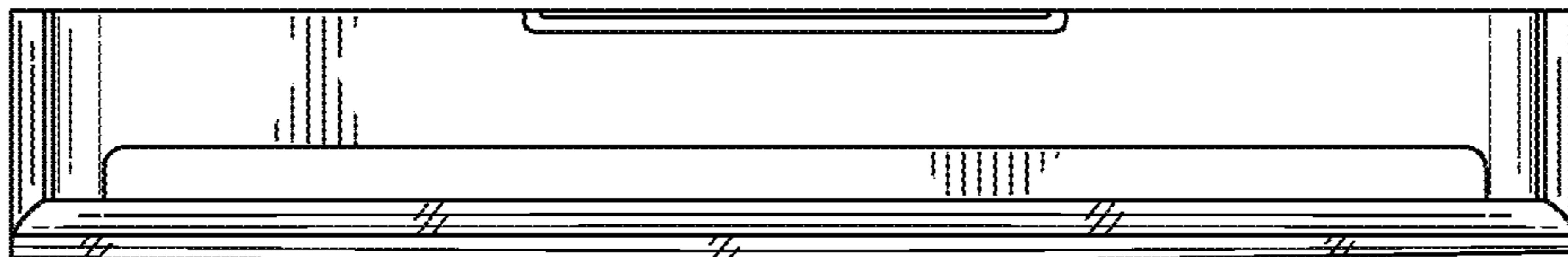


FIG. 6

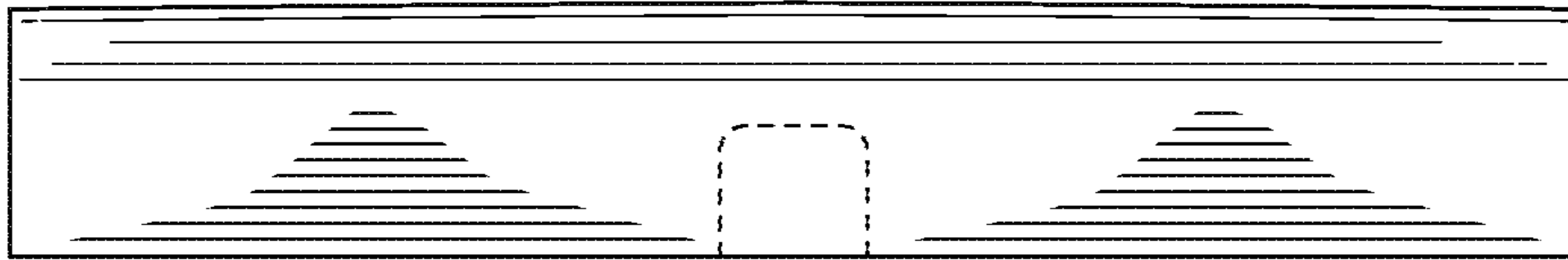


FIG. 7