



US00D810589S

(12) **United States Design Patent**  
**Lin et al.**

(10) **Patent No.:** **US D810,589 S**  
(45) **Date of Patent:** **\*\* Feb. 20, 2018**

(54) **AIRBED PUMP CONTROL PANEL**

OTHER PUBLICATIONS

(71) Applicant: **Intex Marketing Ltd.**, Tortola (VG)

Invacare, MA80 Series Mattresses User Manual, Jan. 2011, 36 pages.

(72) Inventors: **Hua Hsiang Lin**, Fujian (CN); **Yaw Yuan Hsu**, Fujian (CN)

(Continued)

(73) Assignee: **INTEX MARKETING LTD.**, Tortola (VG)

*Primary Examiner* — Antoine Duval Davis

(74) *Attorney, Agent, or Firm* — Faegre Baker Daniels LLP

(\*\*) Term: **15 Years**

(21) Appl. No.: **29/573,246**

(22) Filed: **Aug. 3, 2016**

(57) **CLAIM**

We claim the ornamental design for an airbed pump control panel, as shown and described.

(30) **Foreign Application Priority Data**

**DESCRIPTION**

Feb. 4, 2016 (CN) ..... 2016 3 0042132

(51) **LOC (11) Cl.** ..... **10-04**

(52) **U.S. Cl.**

USPC ..... **D10/49**; D13/162; D13/177; D13/162.1

(58) **Field of Classification Search**

USPC ..... D10/49; D13/162, 162.1, 177

CPC ..... A47C 27/082; A47C 27/083; A47C 31/00;

A47C 21/044

See application file for complete search history.

FIG. 1 is a perspective view of a control panel for use with a pump of an airbed, where the airbed is shown in broken lines;

FIG. 2 is an upper right perspective view of the control panel of FIG. 1;

FIG. 3 is an upper left perspective view of the control panel of FIG. 1;

FIG. 4 is a lower left perspective view of the control panel of FIG. 1;

FIG. 5 is a lower right perspective view of the control panel of FIG. 1;

FIG. 6 is a front elevational view of the control panel of FIG. 1;

FIG. 7 is a right side elevational view of the control panel of FIG. 1;

FIG. 8 is a left side elevational view of the control panel of FIG. 1;

FIG. 9 is a top plan view of the control panel of FIG. 1; and,

FIG. 10 is a bottom plan view of the control panel of FIG. 1.

The broken lines in FIGS. 1-6 and 10 represent unclaimed portions of the control panel and form no part of the claimed design.

(56) **References Cited**

U.S. PATENT DOCUMENTS

6,990,700 B2 \* 1/2006 Chung ..... A45B 19/02  
137/565.11

7,152,265 B2 12/2006 Chung

7,269,866 B2 \* 9/2007 Liu ..... A47C 27/082

5/710

7,588,425 B2 \* 9/2009 Chung ..... F04D 29/503

417/315

7,845,032 B2 12/2010 Chambers et al.

8,210,834 B2 \* 7/2012 Tsai ..... A47C 27/082

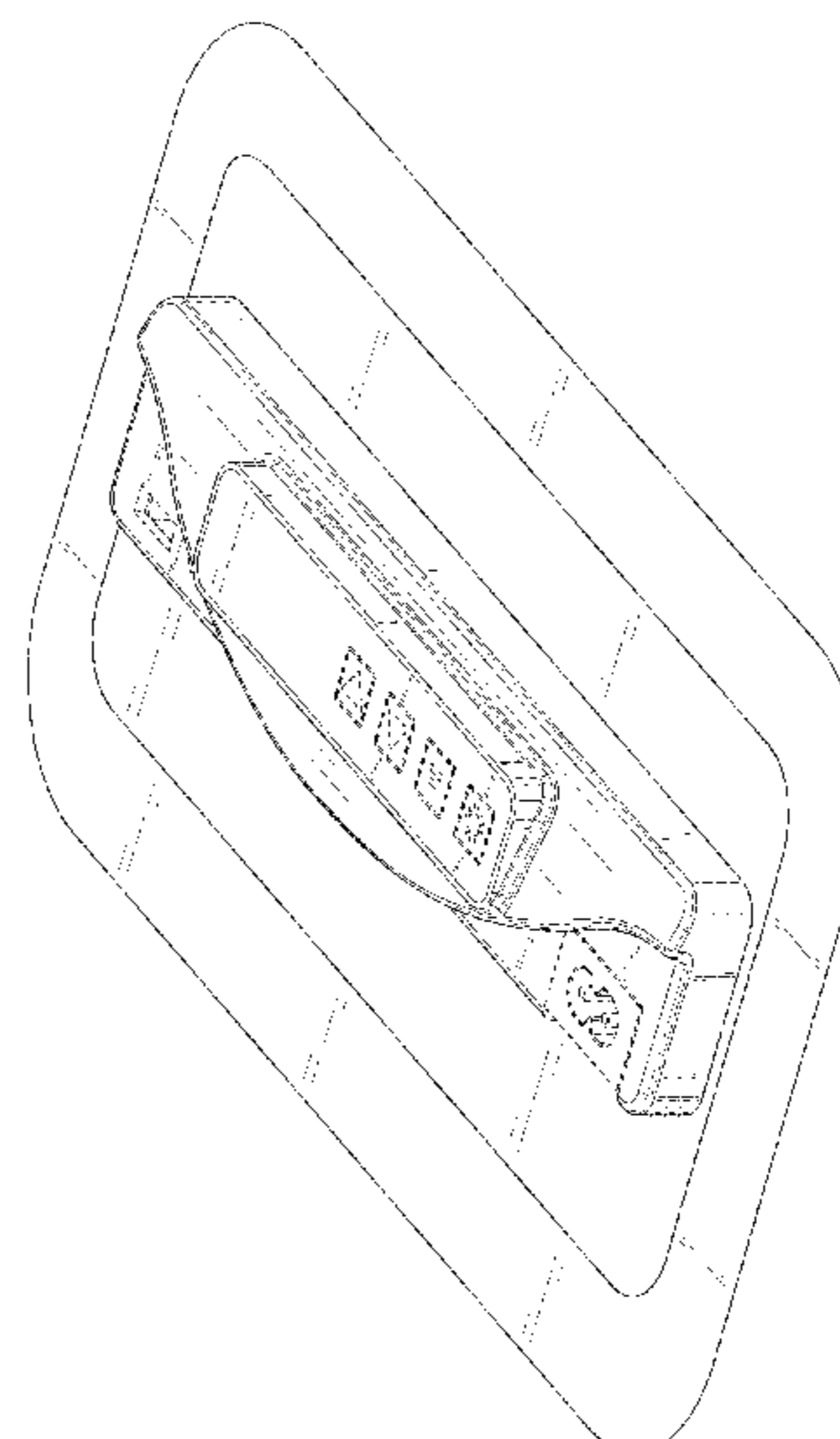
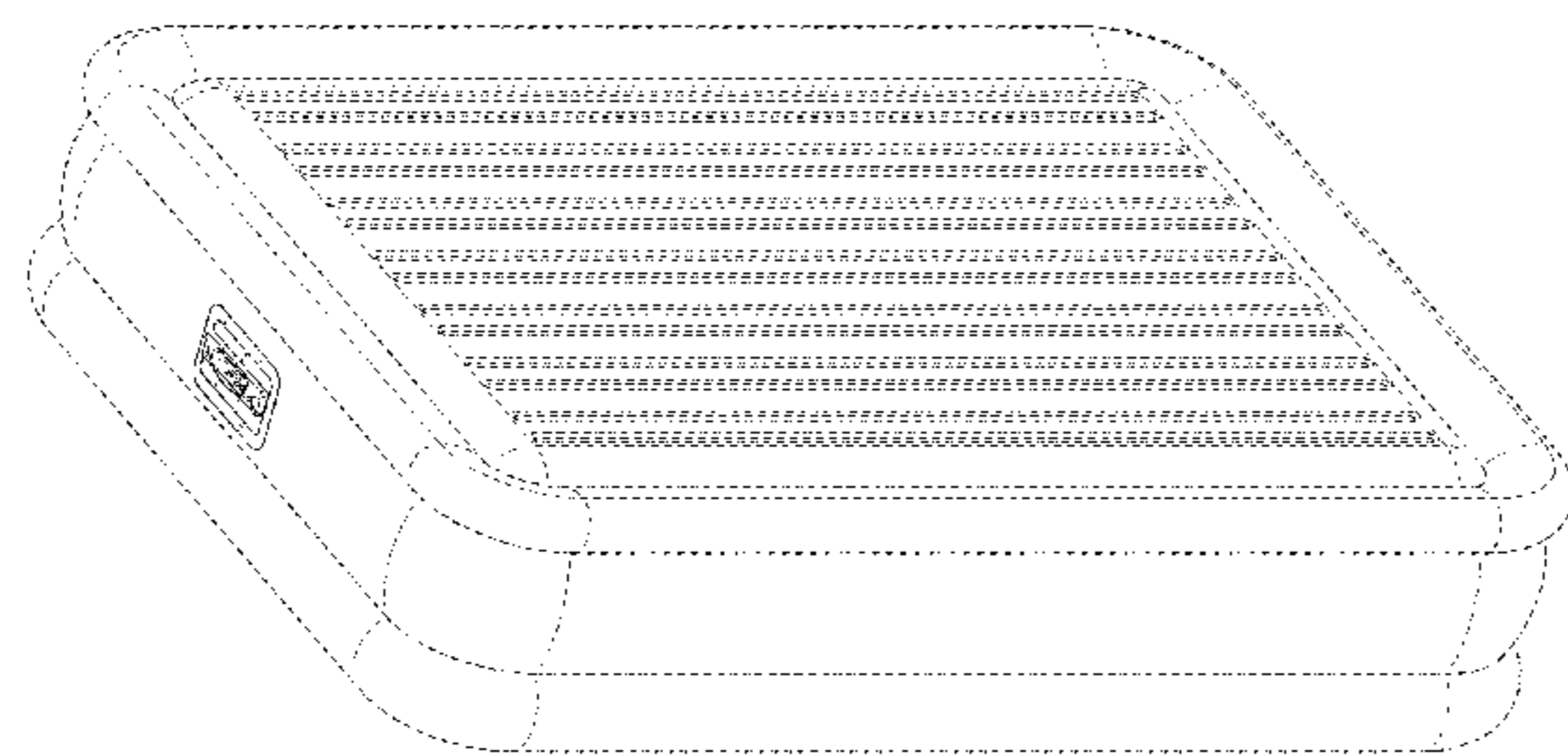
417/315

8,235,684 B2 \* 8/2012 Song ..... A47C 27/082

417/315

(Continued)

**1 Claim, 10 Drawing Sheets**



(56)

**References Cited**

U.S. PATENT DOCUMENTS

8,656,540 B2 \* 2/2014 Chen ..... A47C 27/081  
5/710  
8,656,541 B2 \* 2/2014 Muollo ..... A47C 20/021  
5/615  
8,661,590 B2 \* 3/2014 Chen ..... A47C 27/082  
5/710  
D740,763 S \* 10/2015 Wenji ..... D13/162  
D747,224 S \* 1/2016 Decook ..... D10/49  
2006/0222535 A1 10/2006 Liu

OTHER PUBLICATIONS

Intex, Built-in Fast-Fill™ Electric Pump Owner's Manual, Jul. 12, 2011, 2 pages.

Drive Medical Design & Manufacturing, Mason Air AS8800 Instruction Manual, Dec. 17, 2013, 8 pages.

JML, EZ Bed Instructions, Dec. 2014, 8 pages.

\* cited by examiner

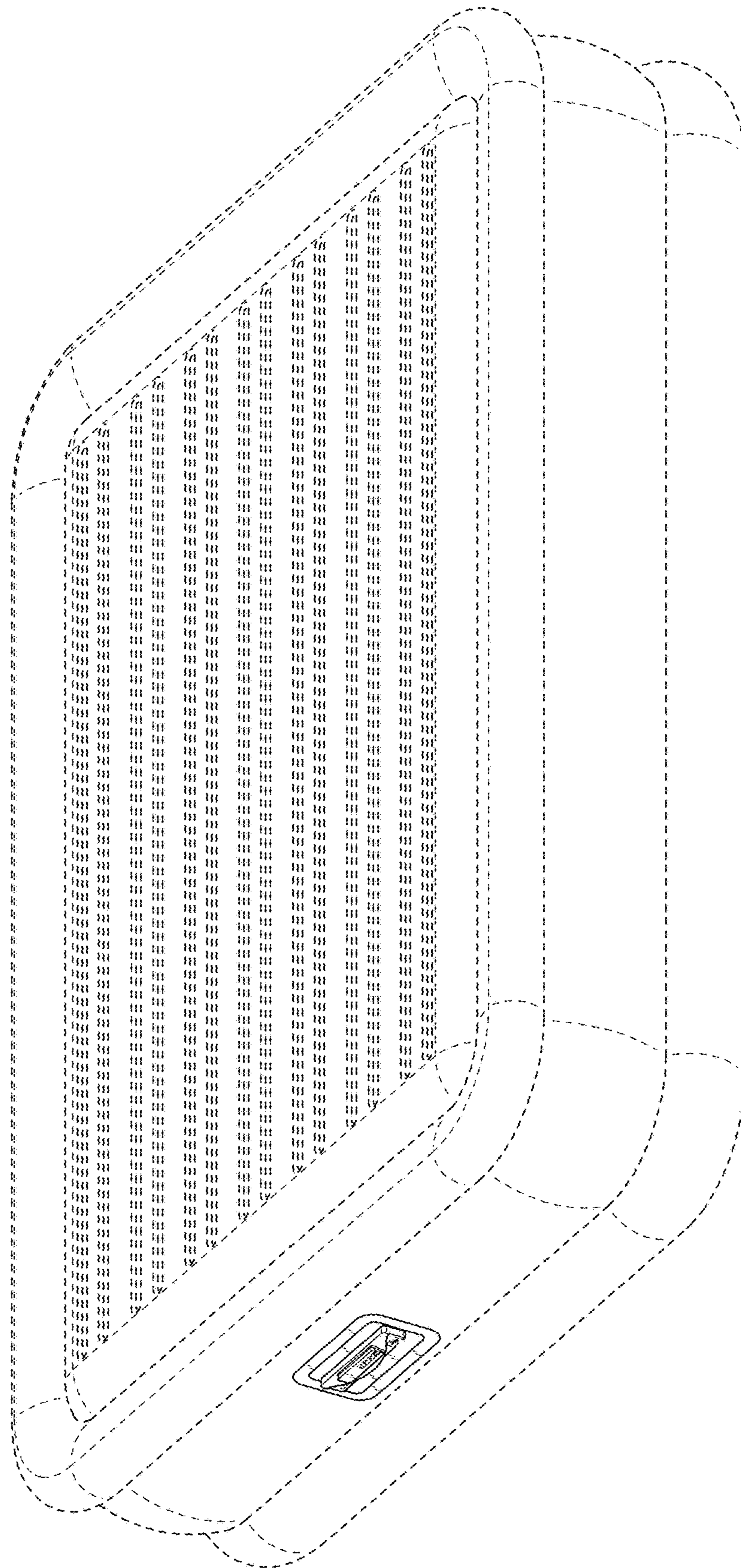


FIG. 1

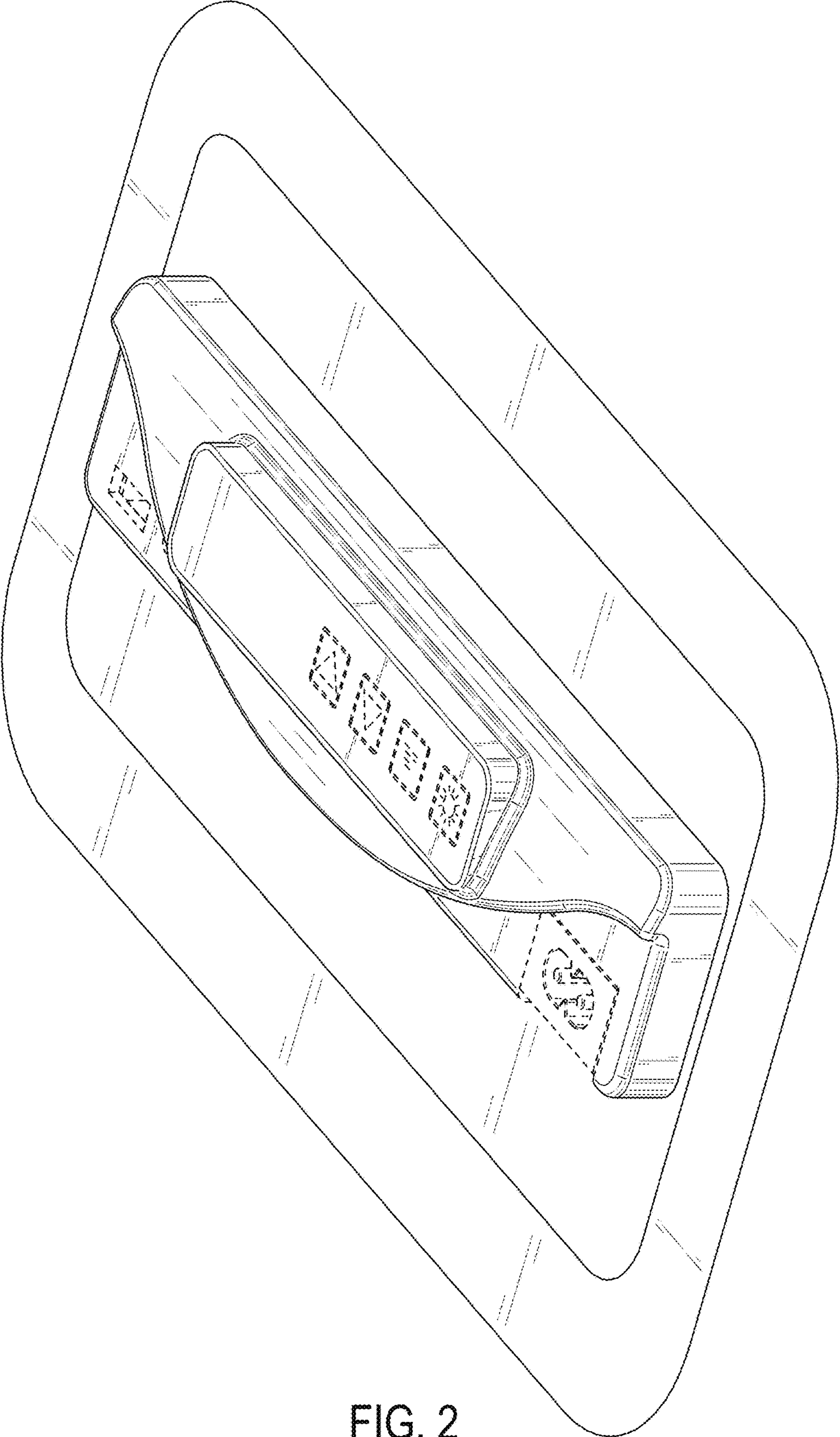


FIG. 2

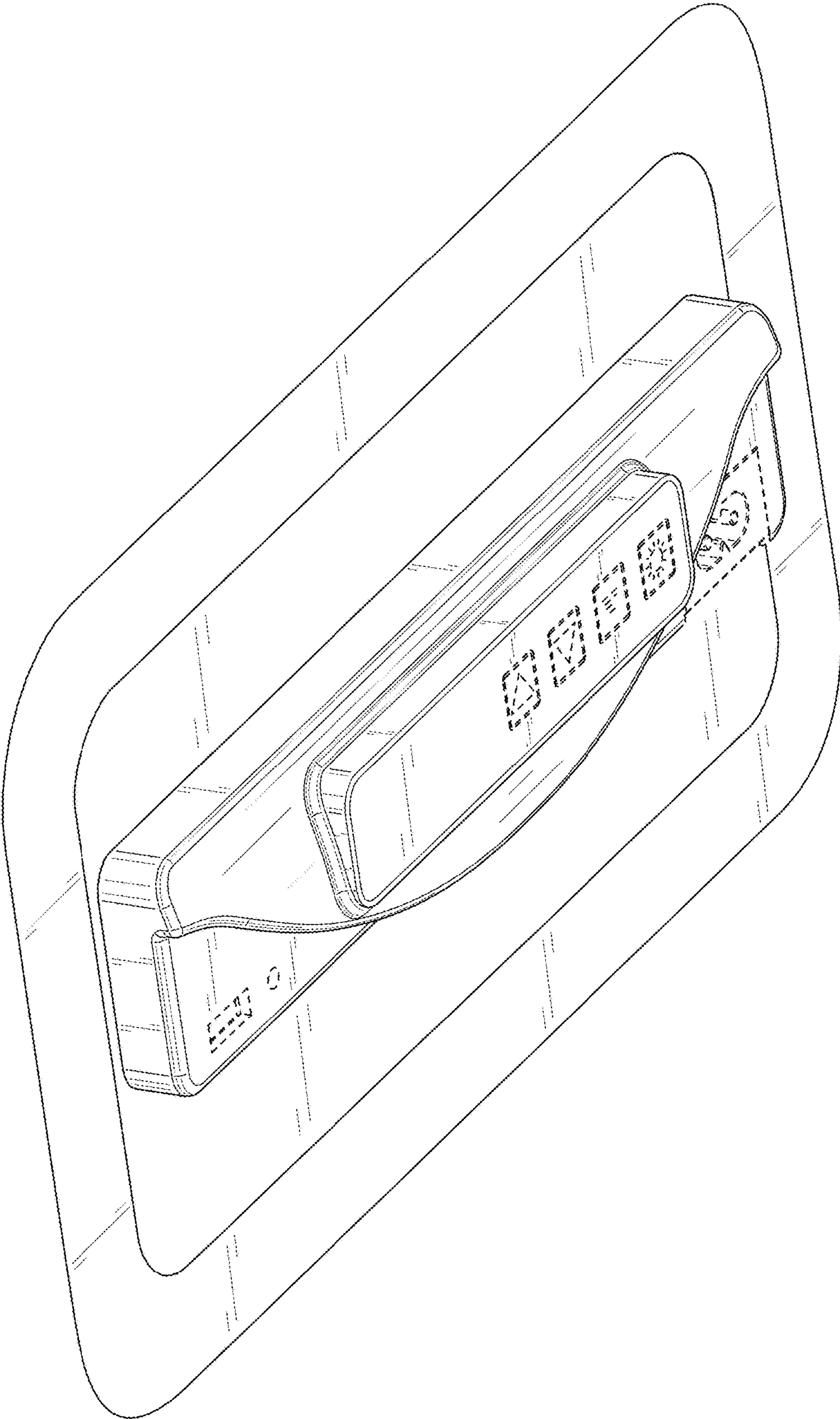


FIG. 3

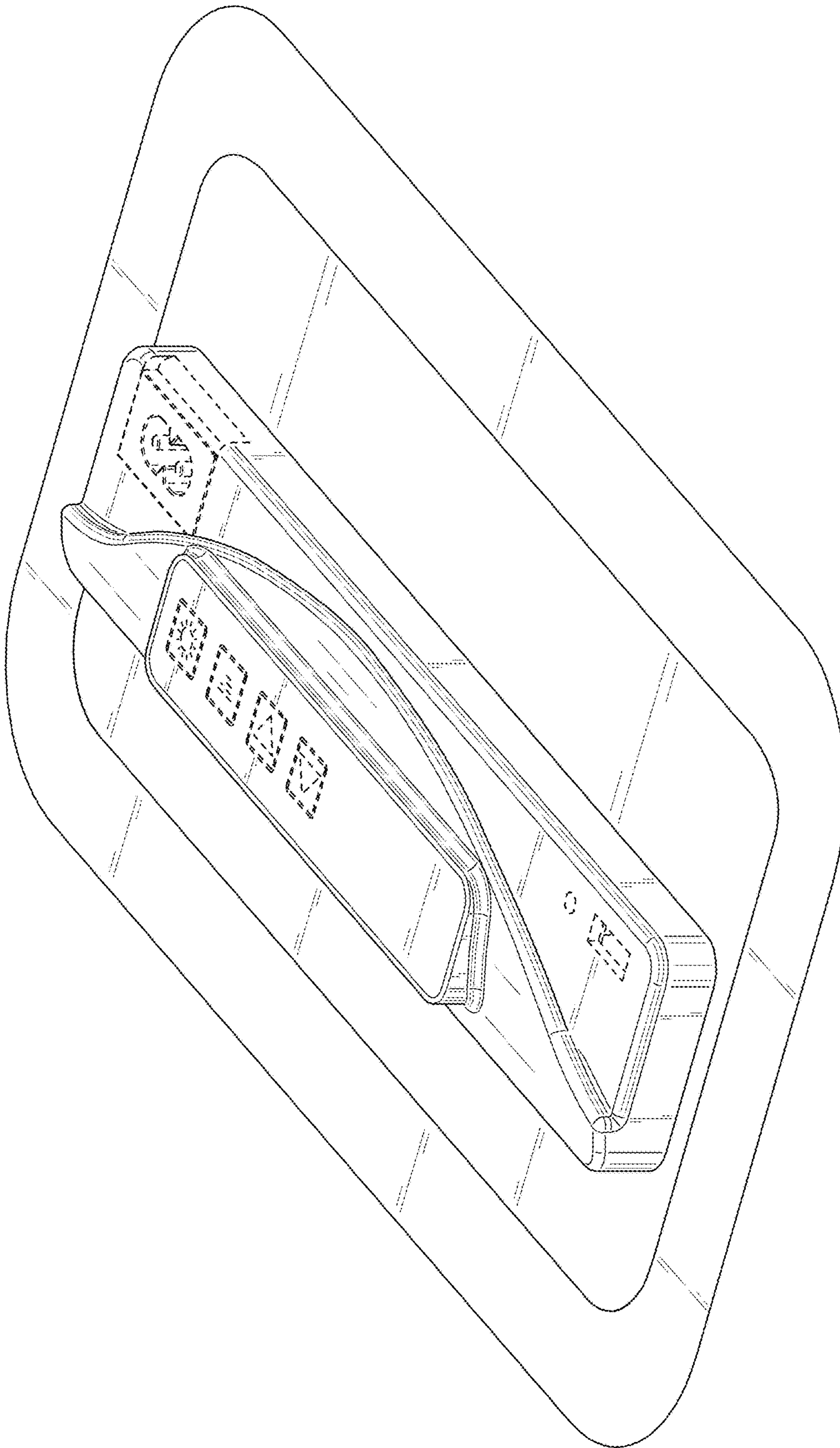


FIG. 4

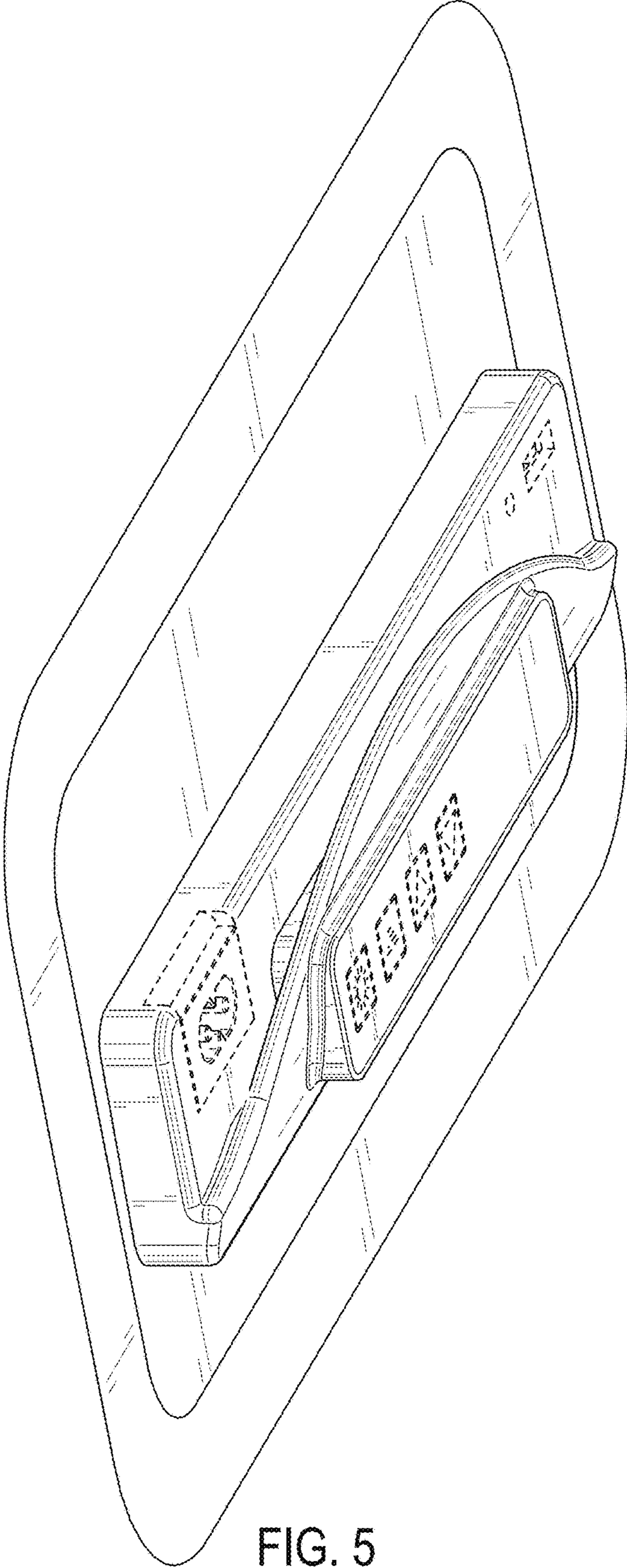


FIG. 5

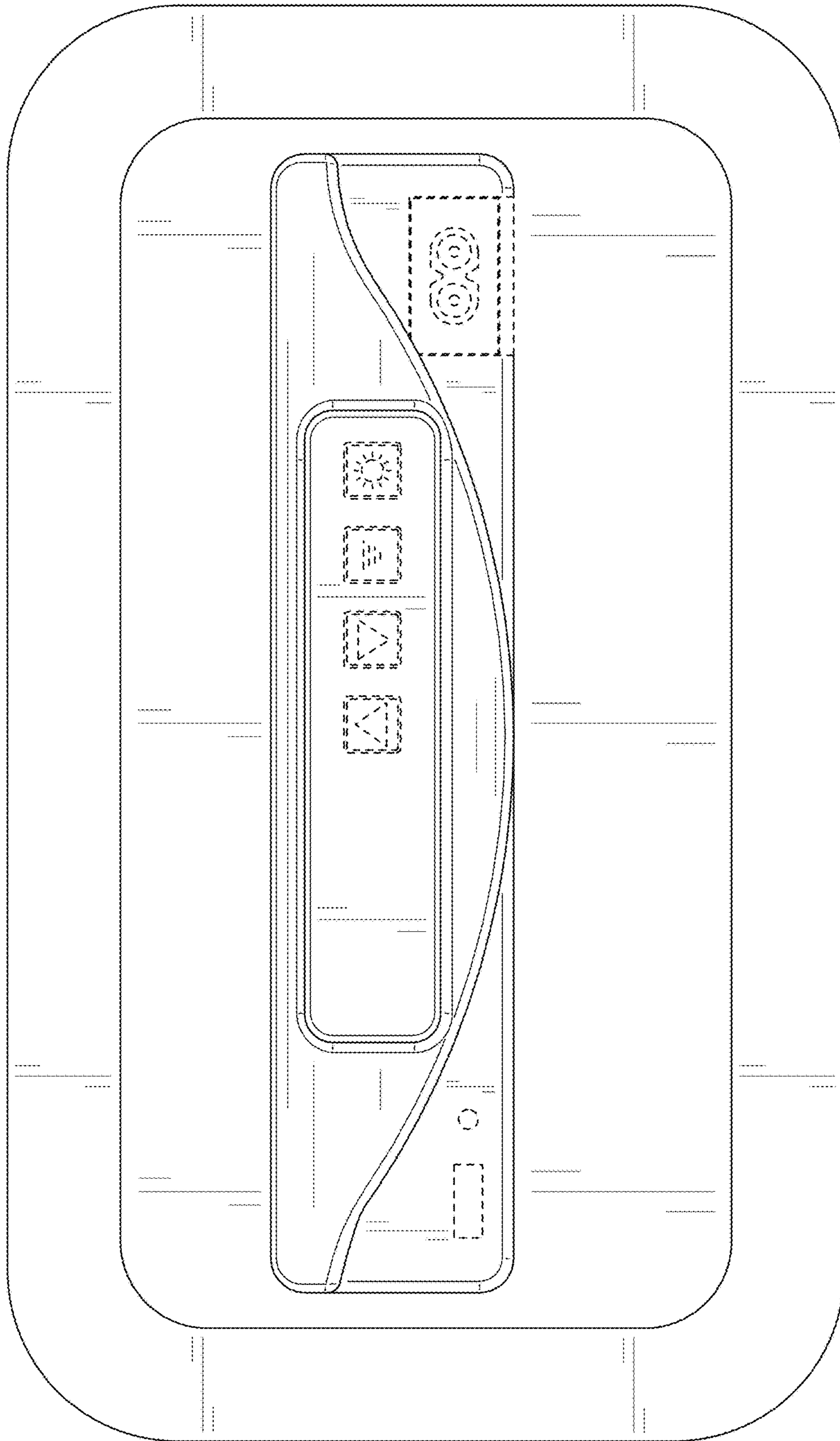


FIG. 6





FIG. 7

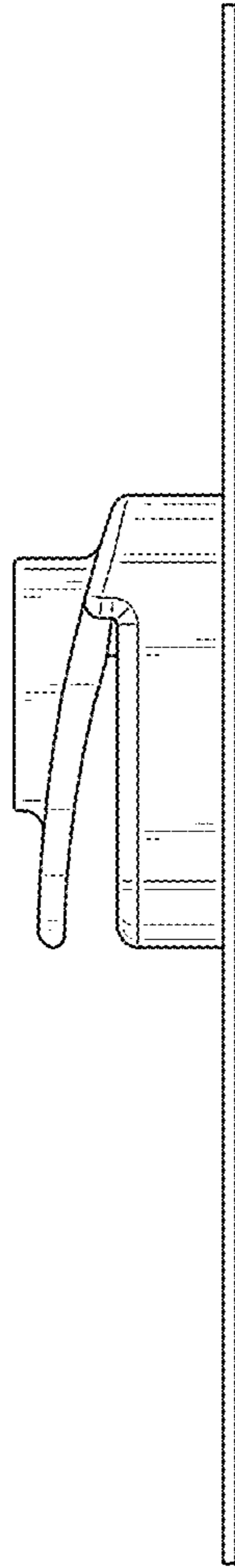


FIG. 8

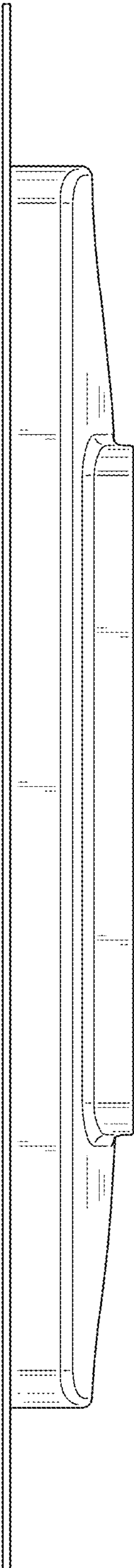


FIG. 9

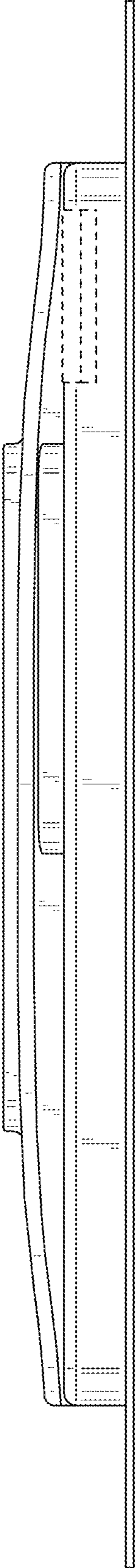


FIG. 10