



US00D810586S

(12) **United States Design Patent** (10) **Patent No.:** **US D810,586 S**
Pantelleria (45) **Date of Patent:** **** Feb. 20, 2018**

(54) **CARTON CARRIER**
(71) Applicant: **Huhtamaki, Inc.**, De Soto, KS (US)
(72) Inventor: **Joseph A. Pantelleria**, Overland Park, KS (US)
(73) Assignee: **HUHTAMAKI, INC.**, De Soto, KS (US)
(**) Term: **15 Years**
(21) Appl. No.: **29/581,428**
(22) Filed: **Oct. 19, 2016**
(51) **LOC (11) Cl.** **09-03**
(52) **U.S. Cl.**
USPC **D9/753; D9/433**
(58) **Field of Classification Search**
USPC D9/414, 415, 416, 420-423, 430, 433,
D9/737, 751-753

(Continued)

(56) **References Cited**

U.S. PATENT DOCUMENTS

1,299,503 A * 4/1919 Pente B65D 5/2028
229/115
1,373,136 A * 3/1921 Kranz A45C 3/02
150/100

(Continued)

Primary Examiner — Lauren Calve

(74) *Attorney, Agent, or Firm* — Husch Blackwell LLP

(57) **CLAIM**

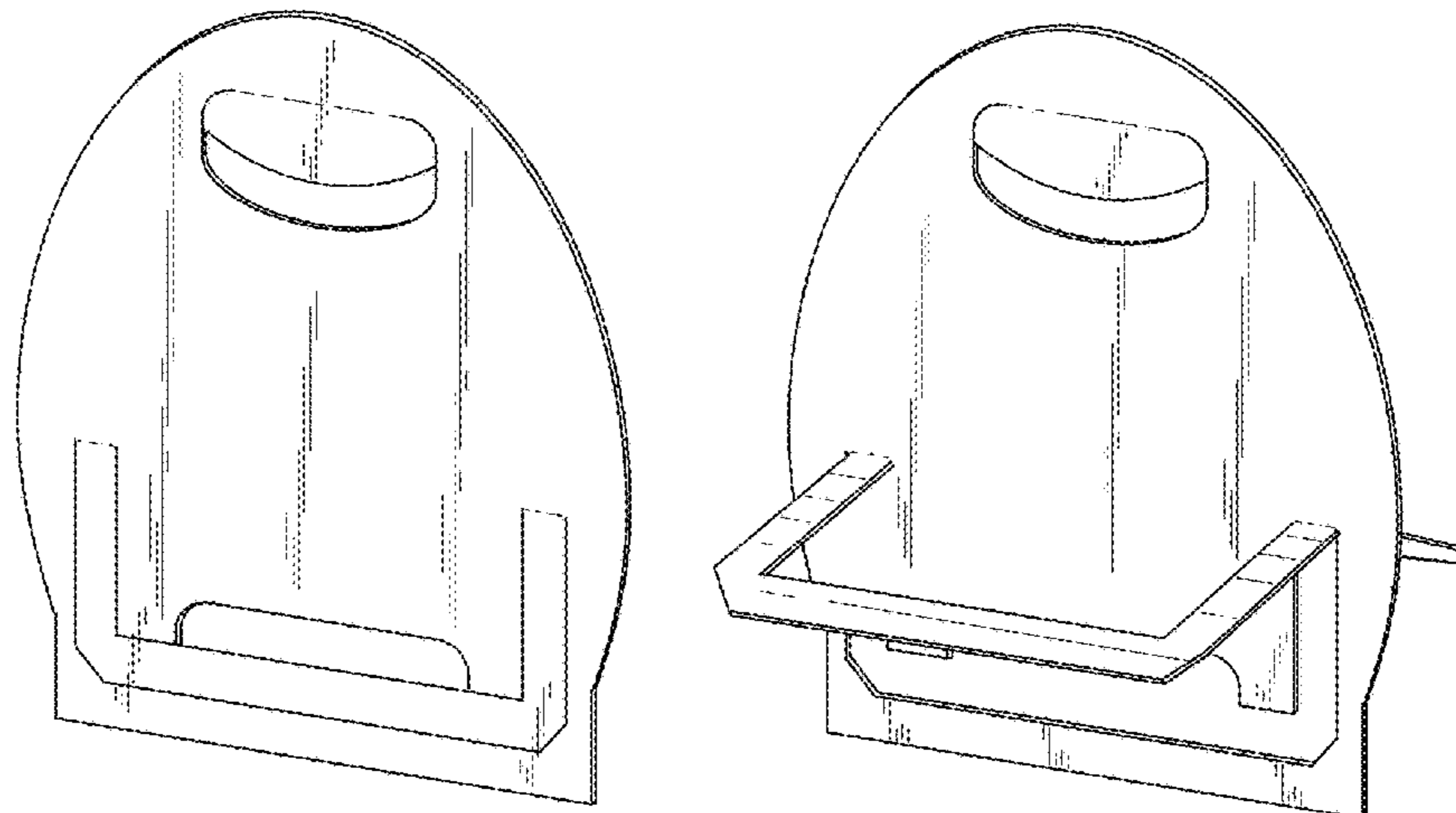
The ornamental design for a carton carrier, as shown and described.

DESCRIPTION

FIG. 1 is a front perspective view of a carton carrier showing the new design;

FIG. 2 is a front elevation view of the carton carrier shown in FIG. 1;
FIG. 3 is a rear elevation view of the carton carrier shown in FIG. 1;
FIG. 4 is a right side elevation view of the carton carrier shown in FIG. 1 (the left side elevation view of the carton carrier is a mirror image of the view shown in FIG. 4);
FIG. 5 is a top plan view of the carton carrier shown in FIG. 1;
FIG. 6 is a bottom plan view of the carton carrier shown in FIG. 1;
FIG. 7 is a front perspective view of the carton carrier shown in FIG. 1 illustrating the retaining flaps in an extended position;
FIG. 8 is a front elevation view of the carton carrier shown in FIG. 7;
FIG. 9 is a rear elevation view of the carton carrier shown in FIG. 7;
FIG. 10 is a right side elevation view of the carton carrier shown in FIG. 7 (the left side elevation view of the carton carrier is a mirror image of the view shown in FIG. 10);
FIG. 11 is a top plan view of the carton carrier shown in FIG. 7;
FIG. 12 is a bottom plan view of the carton carrier shown in FIG. 7;
FIG. 13 is a front perspective view of the carton carrier shown in FIG. 1 illustrating the retaining flaps in an extended position and shown in environmental use;
FIG. 14 is a front elevation view of the carton carrier shown in FIG. 13;
FIG. 15 is a rear elevation view of the carton carrier shown in FIG. 13;
FIG. 16 is a right side elevation view of the carton carrier shown in FIG. 13 (the left side elevation view of the carton carrier is a mirror image of the view shown in FIG. 16);
FIG. 17 is a top plan view of the carton carrier shown in FIG. 13; and,
FIG. 18 is a bottom plan view of the carton carrier shown in FIG. 13.
The features shown in broken lines depict environmental subject matter only and form no part of the claimed design.

1 Claim, 11 Drawing Sheets



US D810,586 S

(58) **Field of Classification Search**

CPC .. B65D 2571/0066; B65D 2571/00487; B65D 2571/00475; B65D 71/48; B65D 71/0003; B65D 71/0022; B65D 71/004; B65D 2571/00277; B65D 2571/0037; B65D 71/0055; B65D 2571/00283; B65D 2571/00753

See application file for complete search history.

(56) **References Cited**

U.S. PATENT DOCUMENTS

2,336,857 A * 12/1943 Gies B65D 71/0037
206/168
3,891,084 A * 6/1975 Elizondo-Garcia B65D 1/243
206/143
5,145,062 A * 9/1992 Crispi A47K 10/185
206/233
D412,109 S * 7/1999 Hsi-Chang D9/415

D433,323 S * 11/2000 Rovere D9/752
D461,713 S * 8/2002 Foreman B65D 71/28
D9/434
6,619,483 B1 * 9/2003 Paine B65D 71/16
206/427
D584,139 S * 1/2009 Himeda D9/415
8,083,126 B2 * 12/2011 Fleming B65D 71/30
206/194
D694,125 S * 11/2013 Holsmer D9/753
D709,375 S * 7/2014 Smith D9/455
D719,443 S * 12/2014 Jones D9/433
D749,410 S * 2/2016 Horan D9/415
D758,179 S * 6/2016 Beck D9/415
2012/0138489 A1 * 6/2012 Holley, Jr. B65D 71/42
206/153
2012/0199637 A1 * 8/2012 Bulls, Jr. B65D 71/0022
229/117.13
2016/0360931 A1 * 12/2016 Fernandez
Morante B65D 71/48

* cited by examiner

FIG. 1

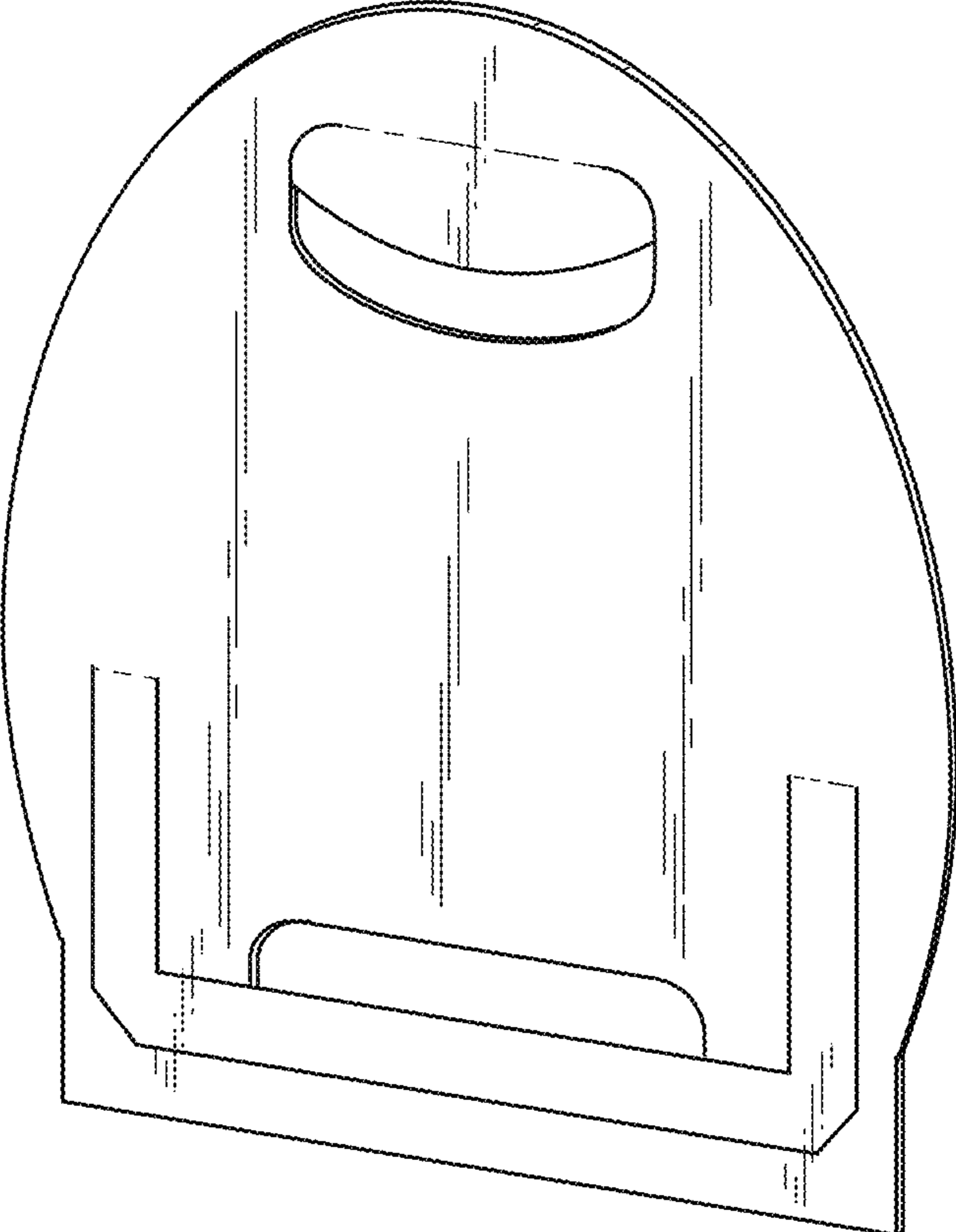


FIG. 2

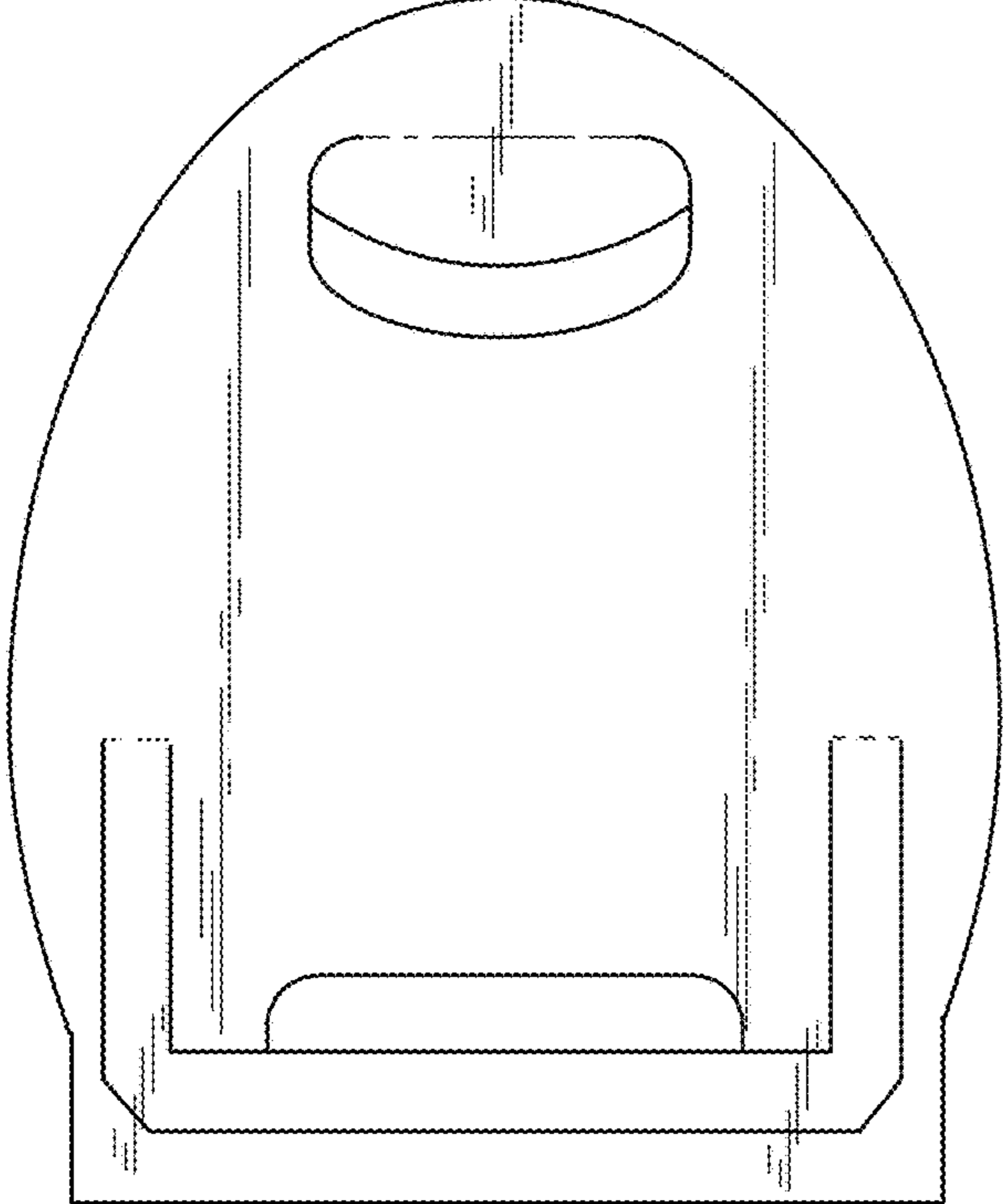


FIG. 3

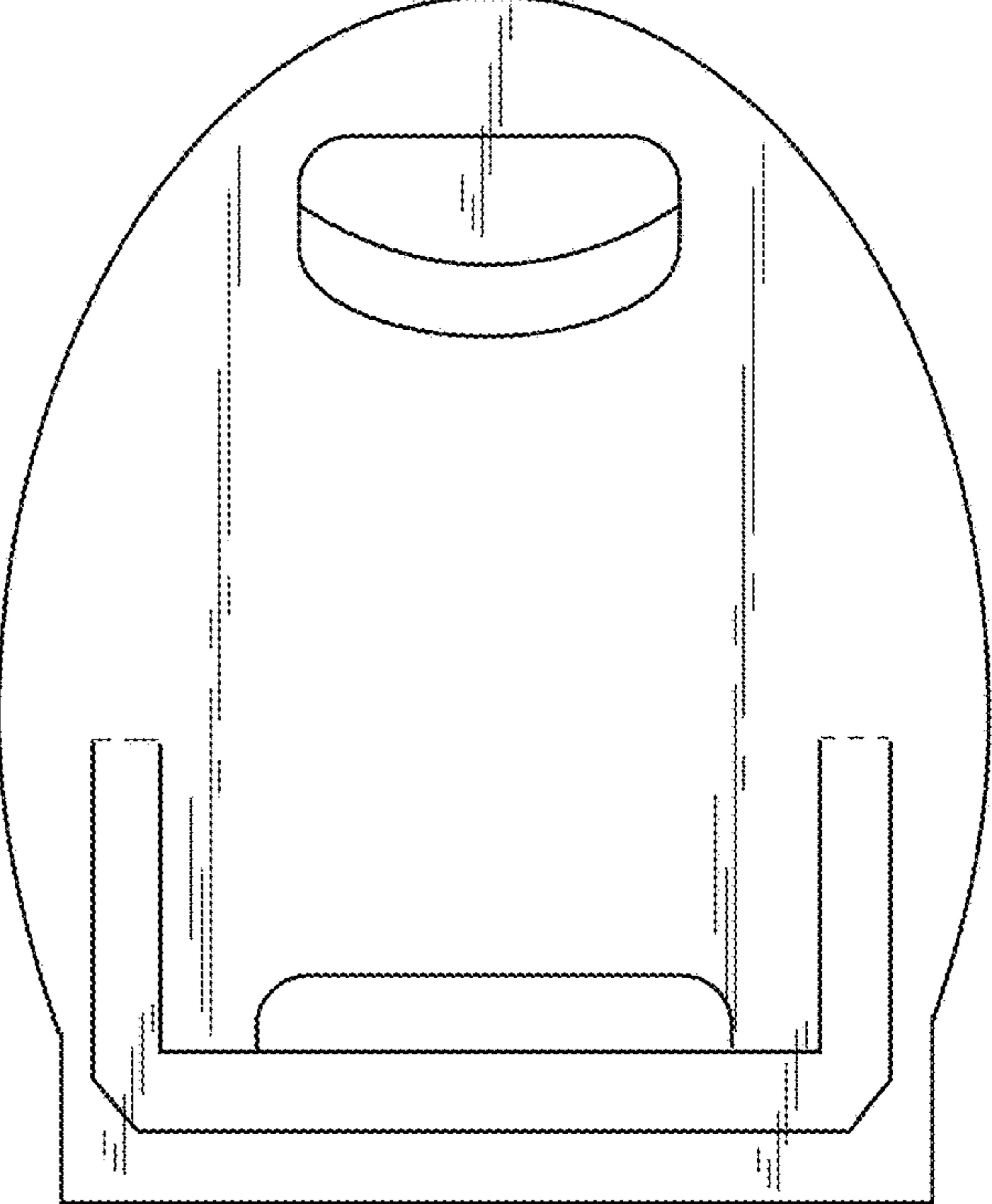


FIG. 4



FIG. 5

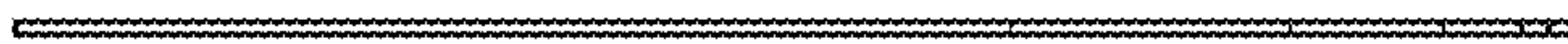


FIG. 6



FIG. 7

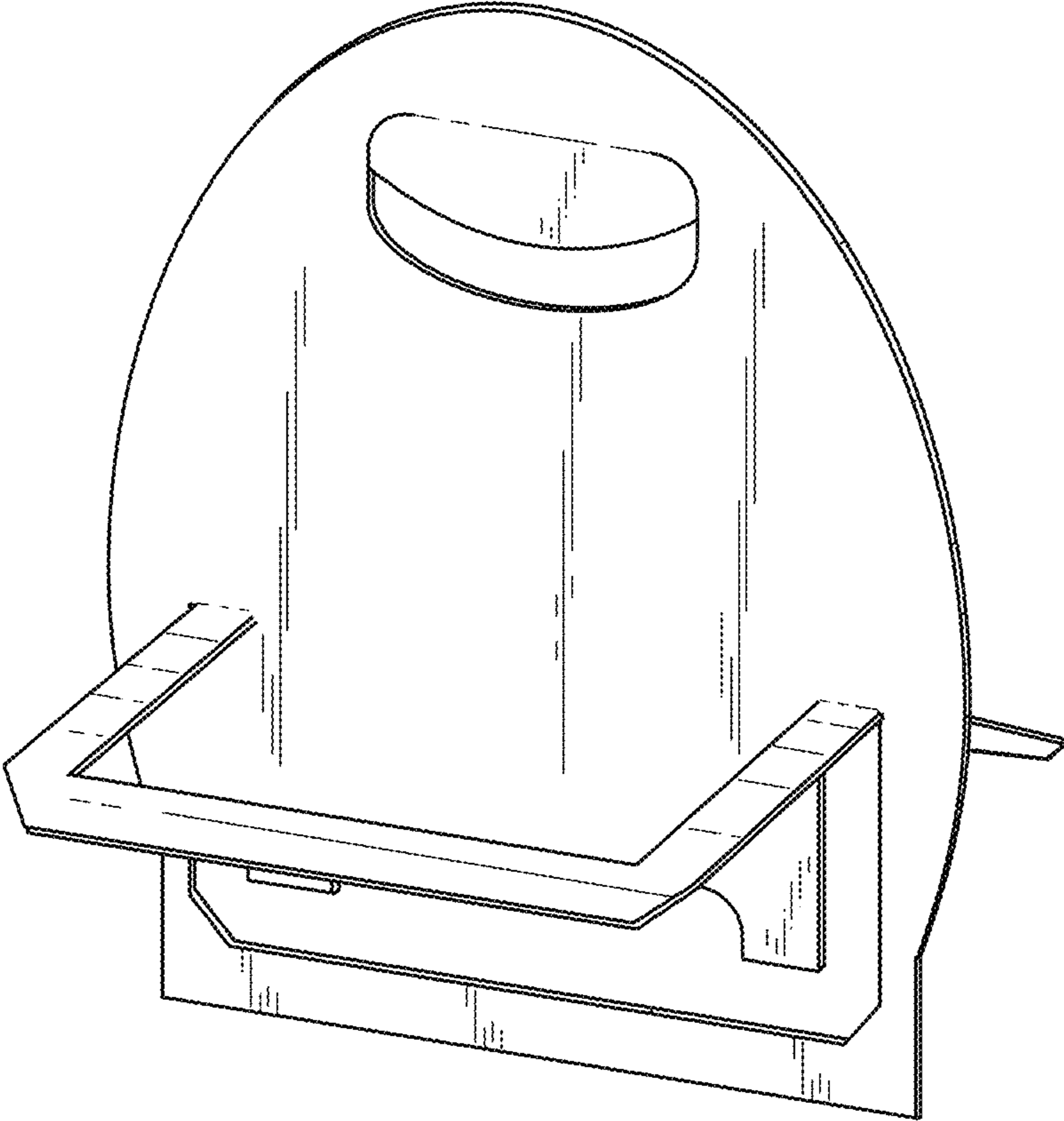


FIG. 8

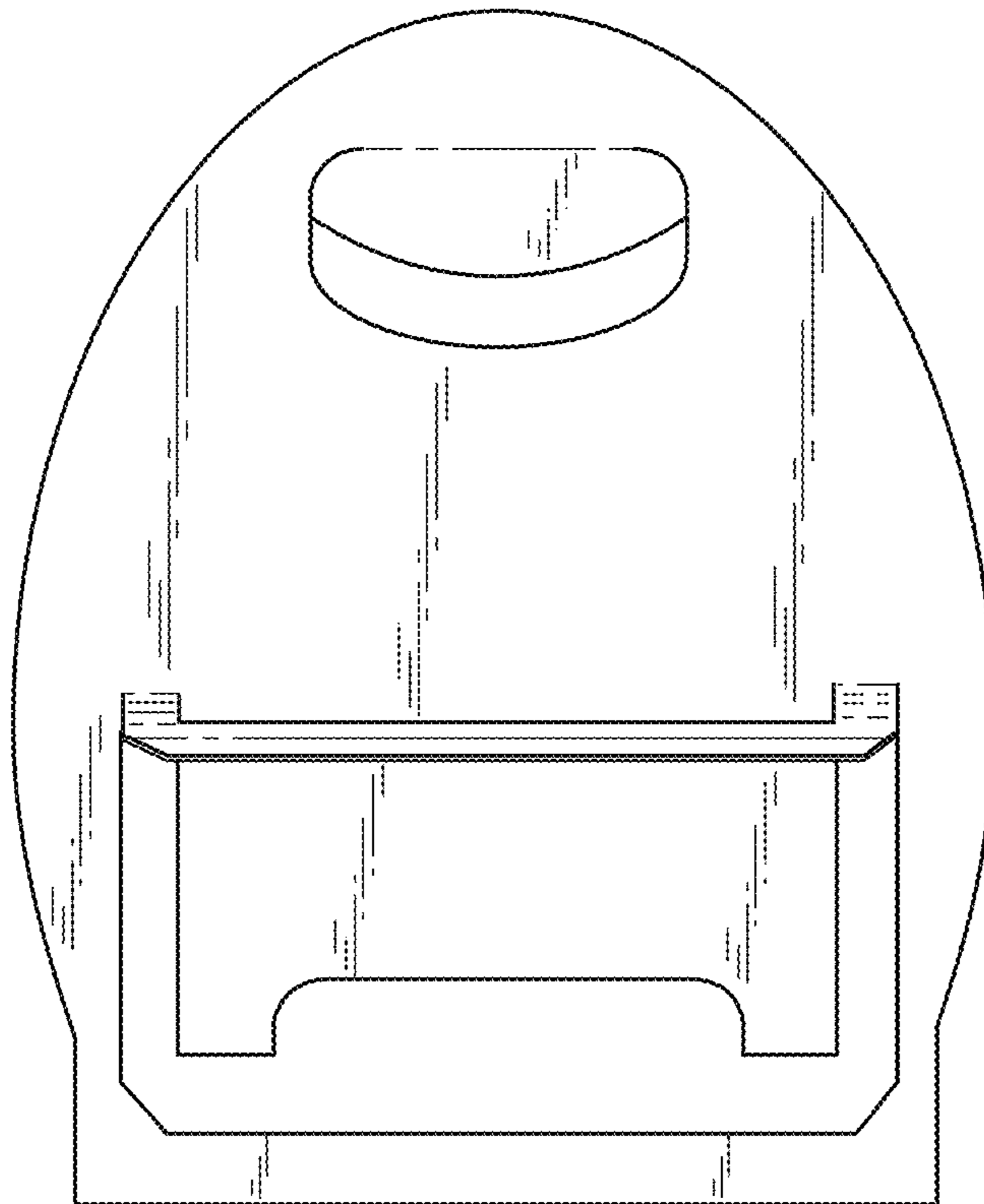


FIG. 9

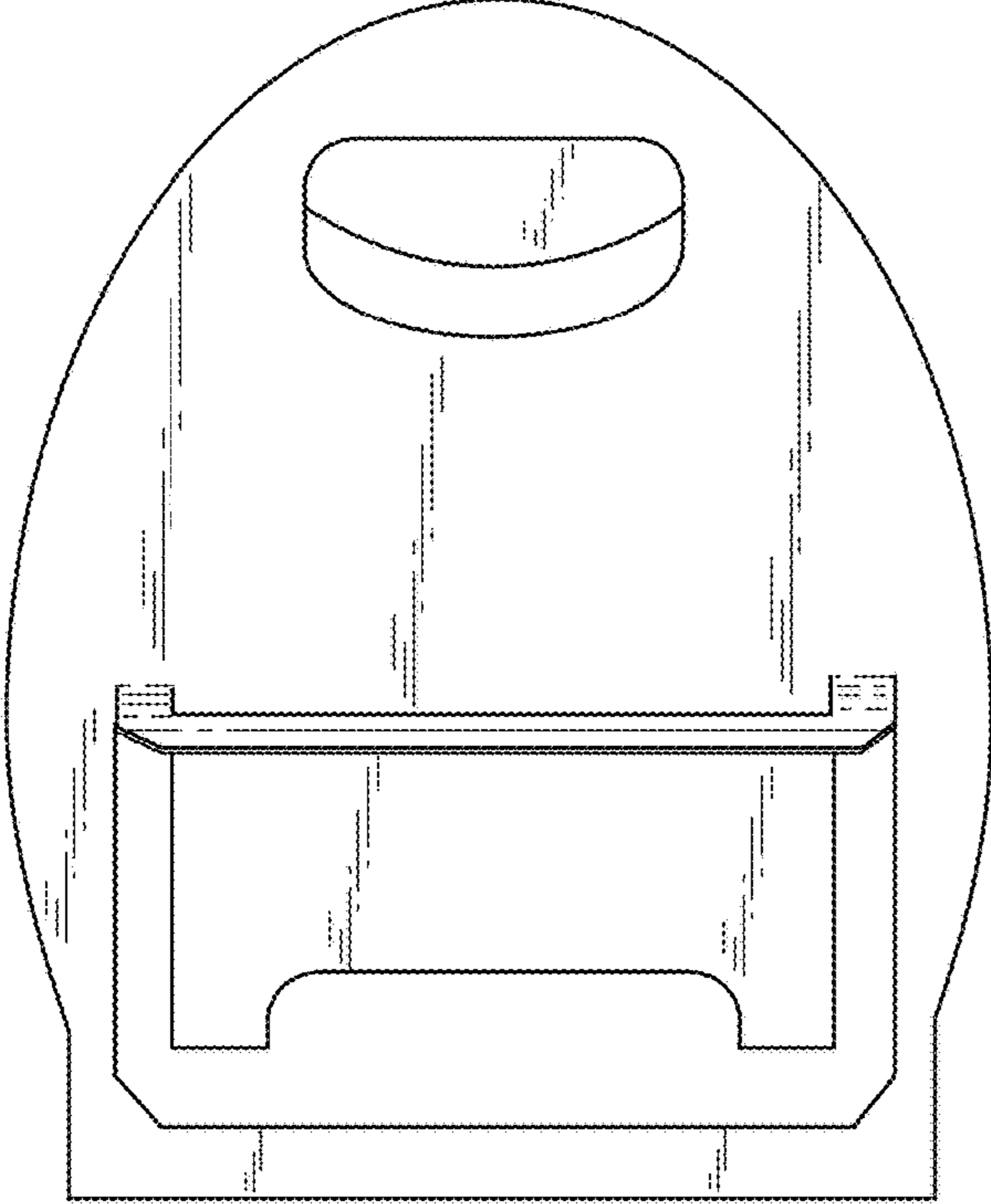


FIG. 10

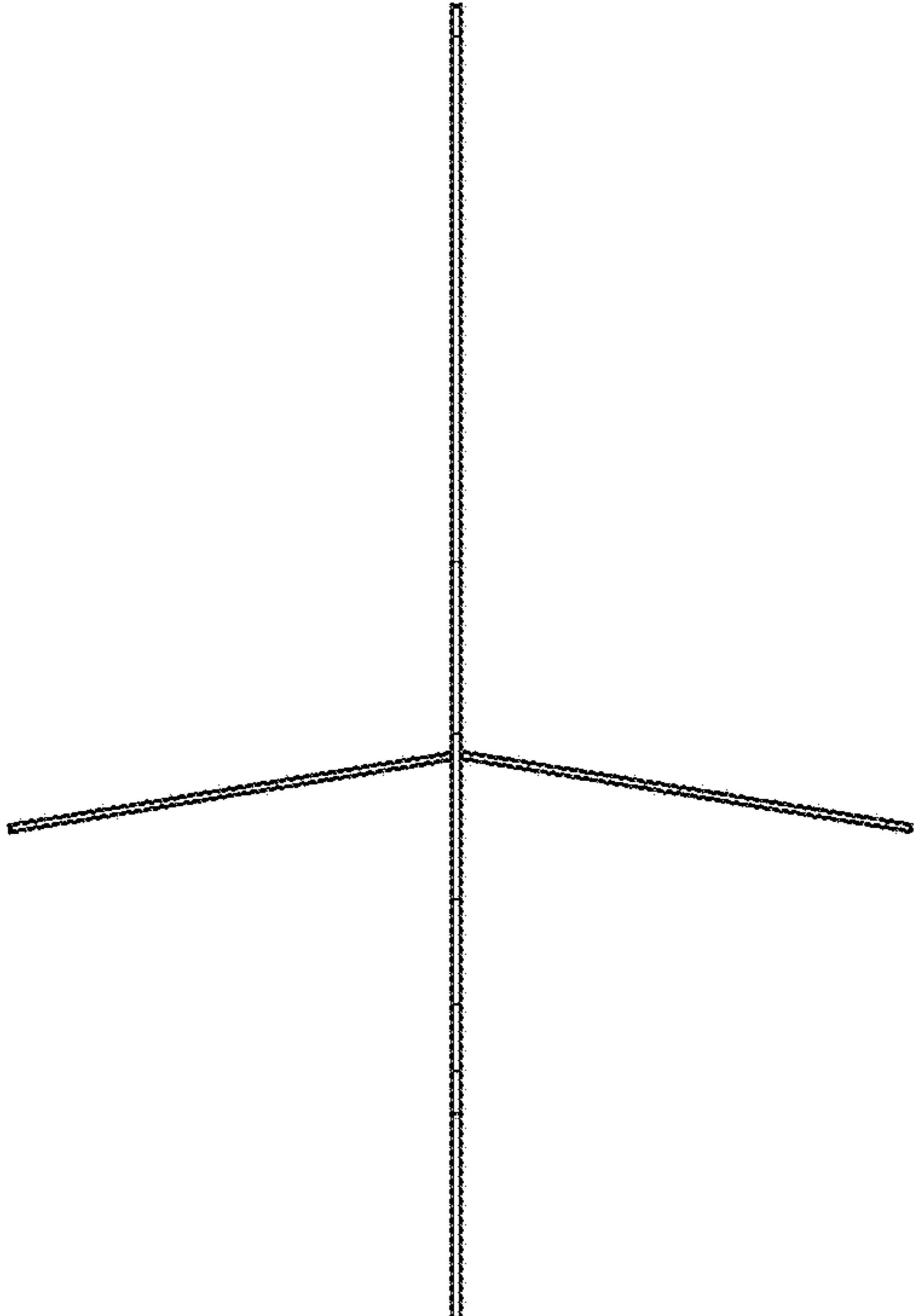


FIG. 11

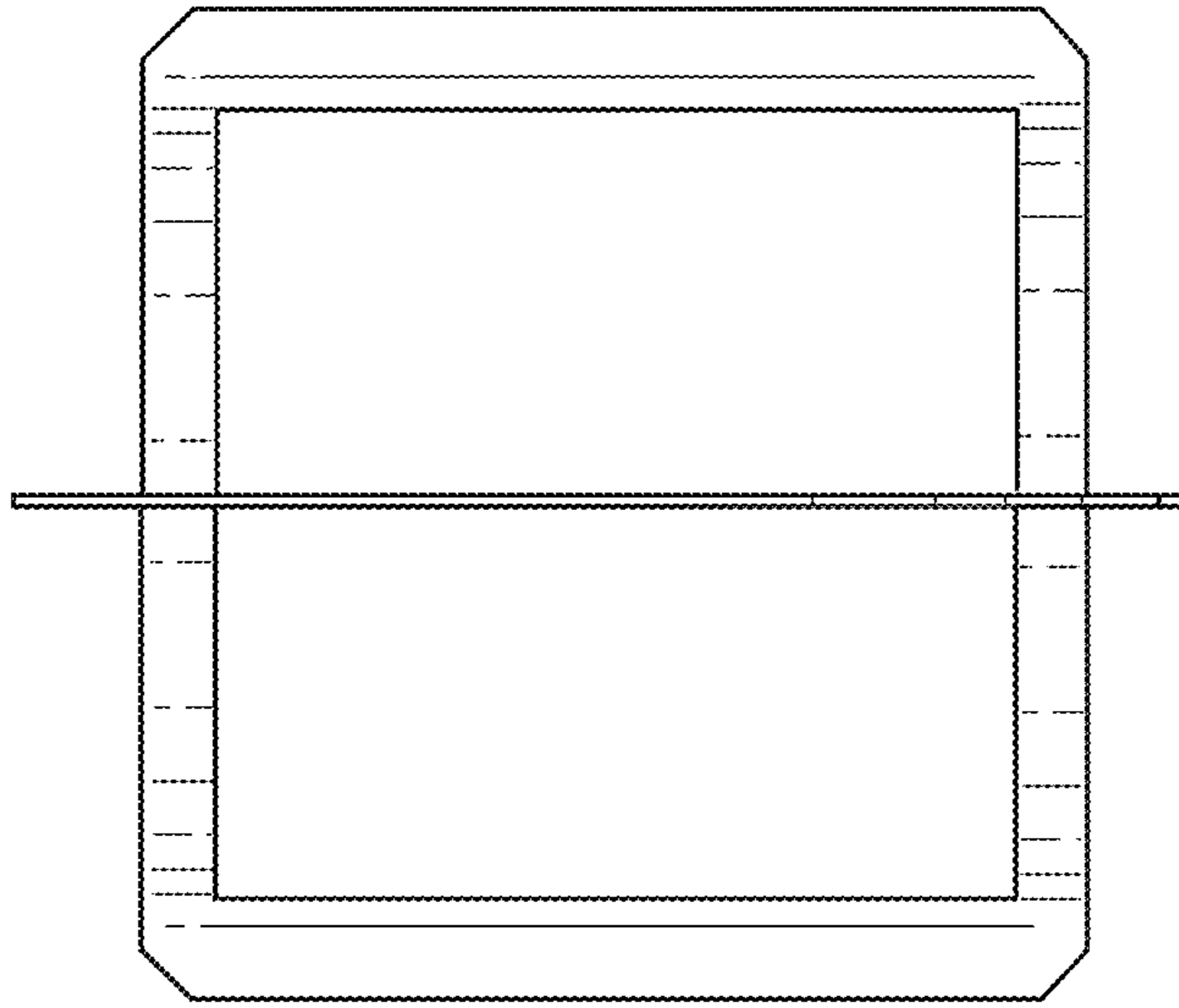


FIG. 12

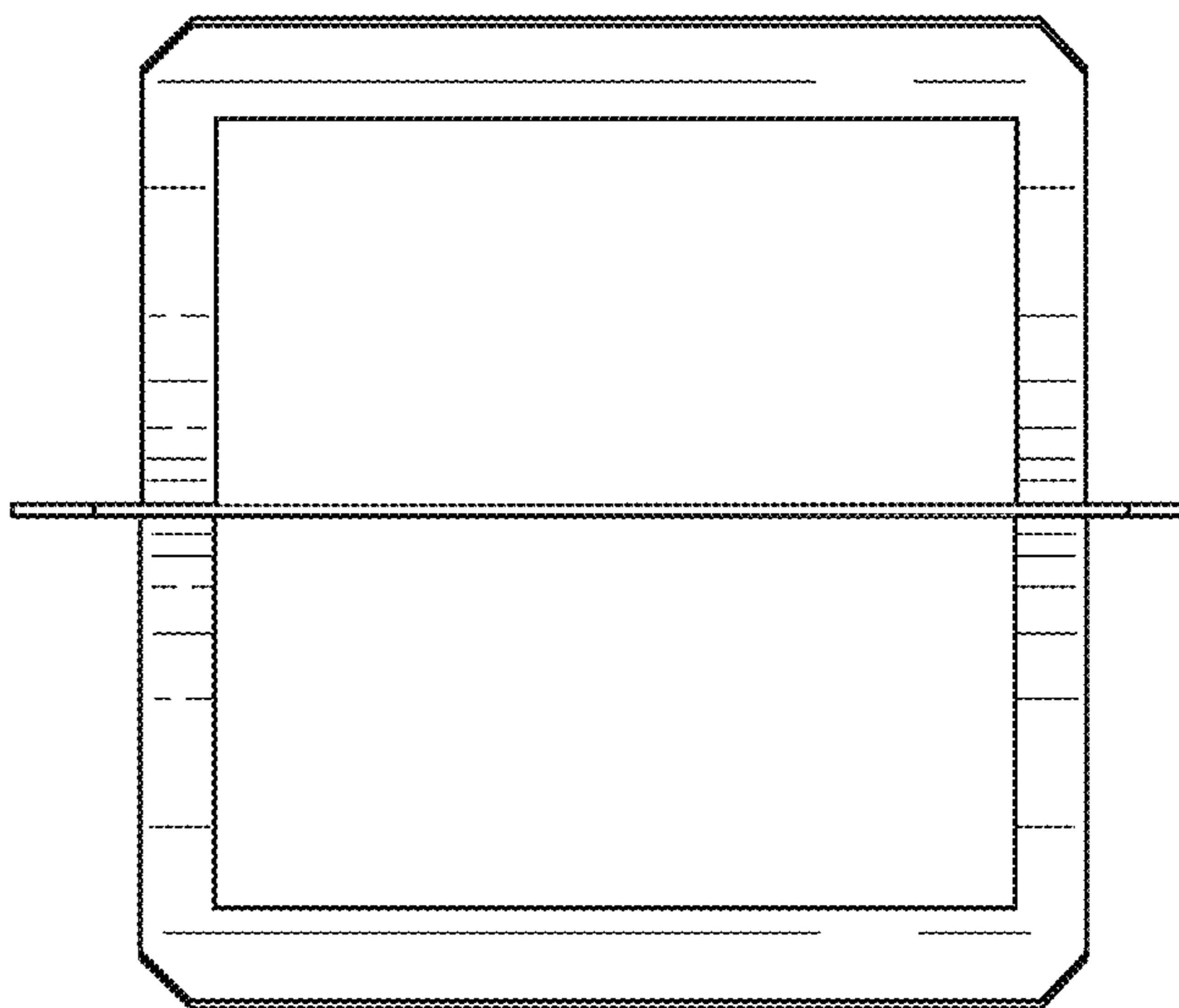


FIG. 13

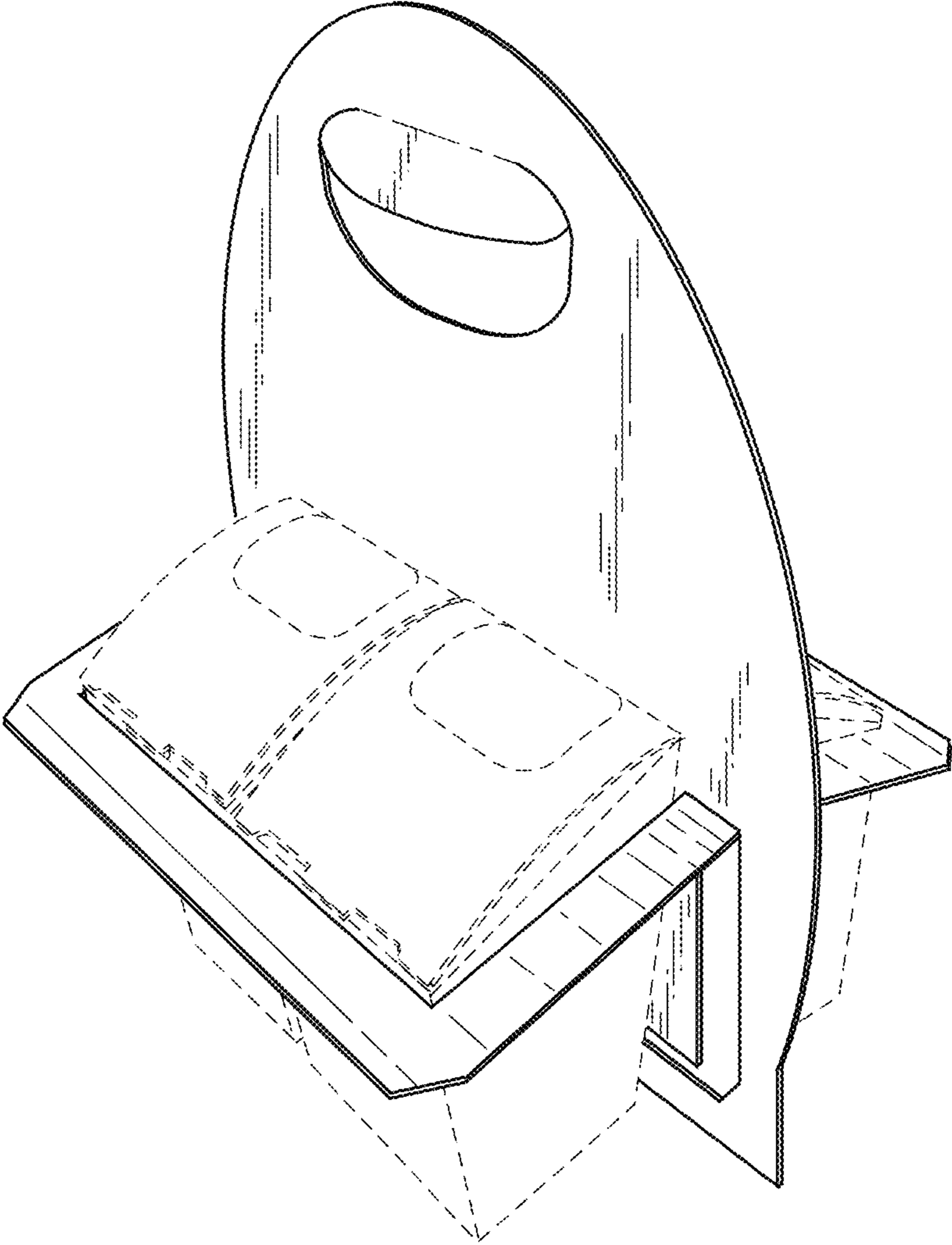


FIG. 14

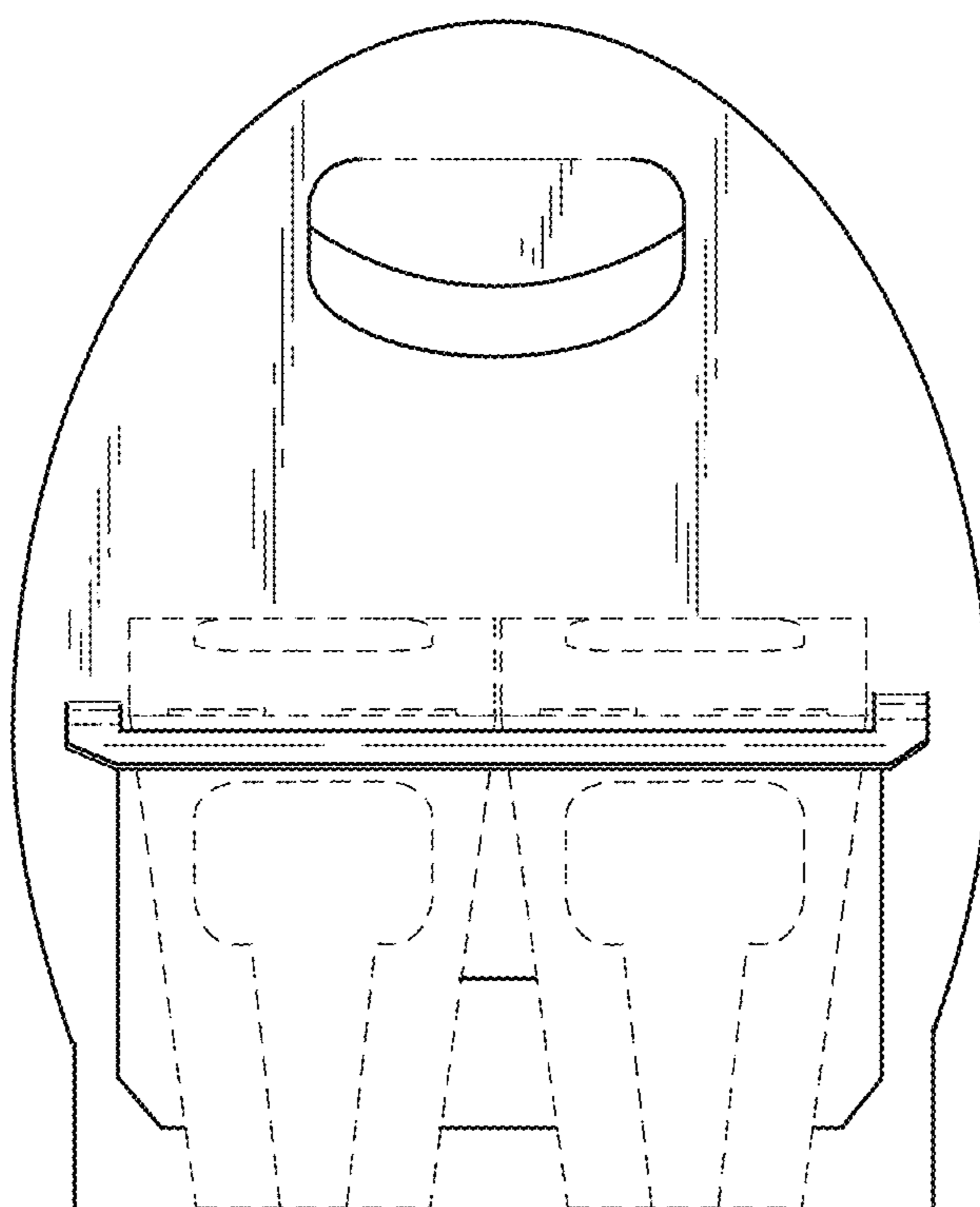


FIG. 15

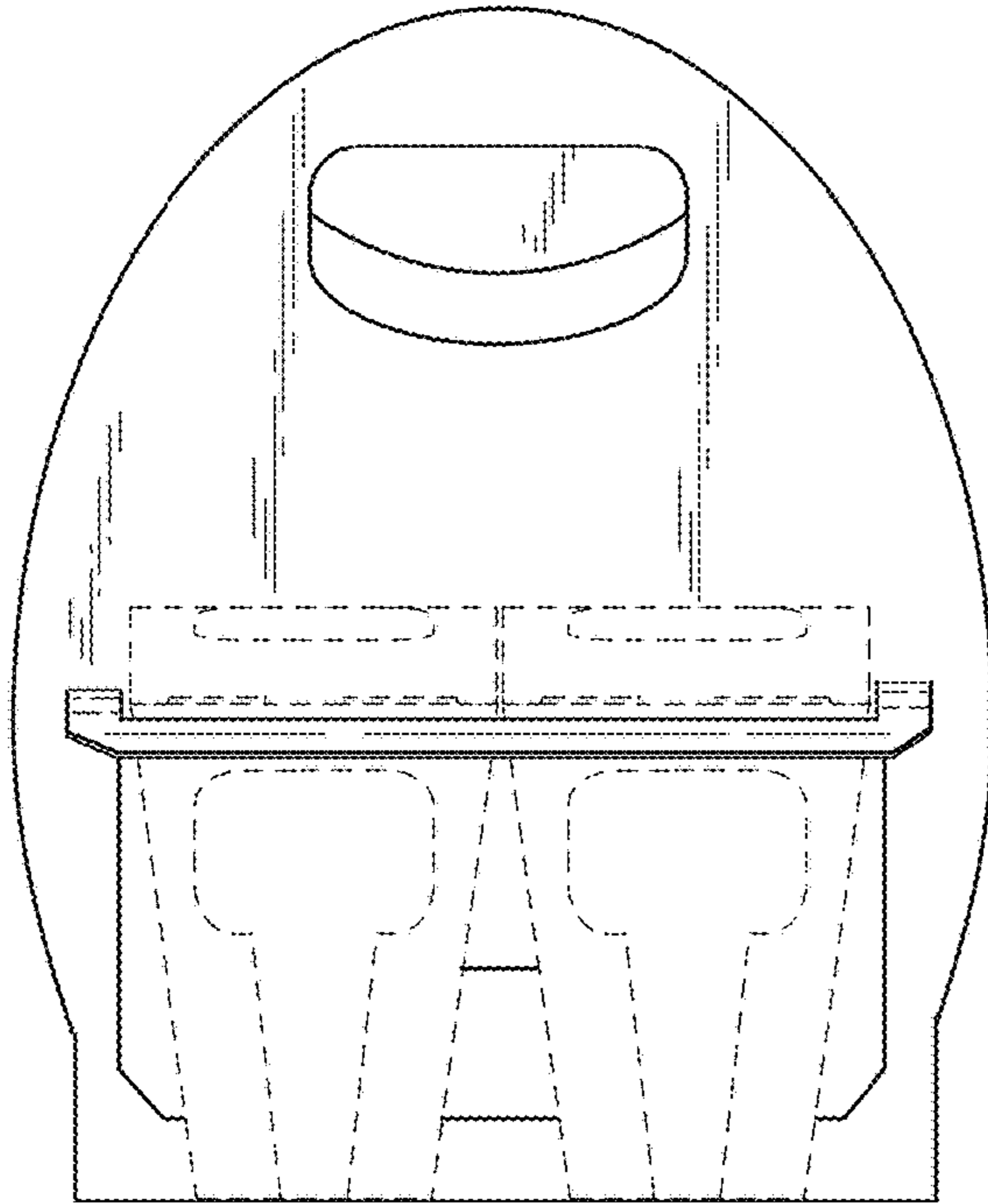


FIG. 16

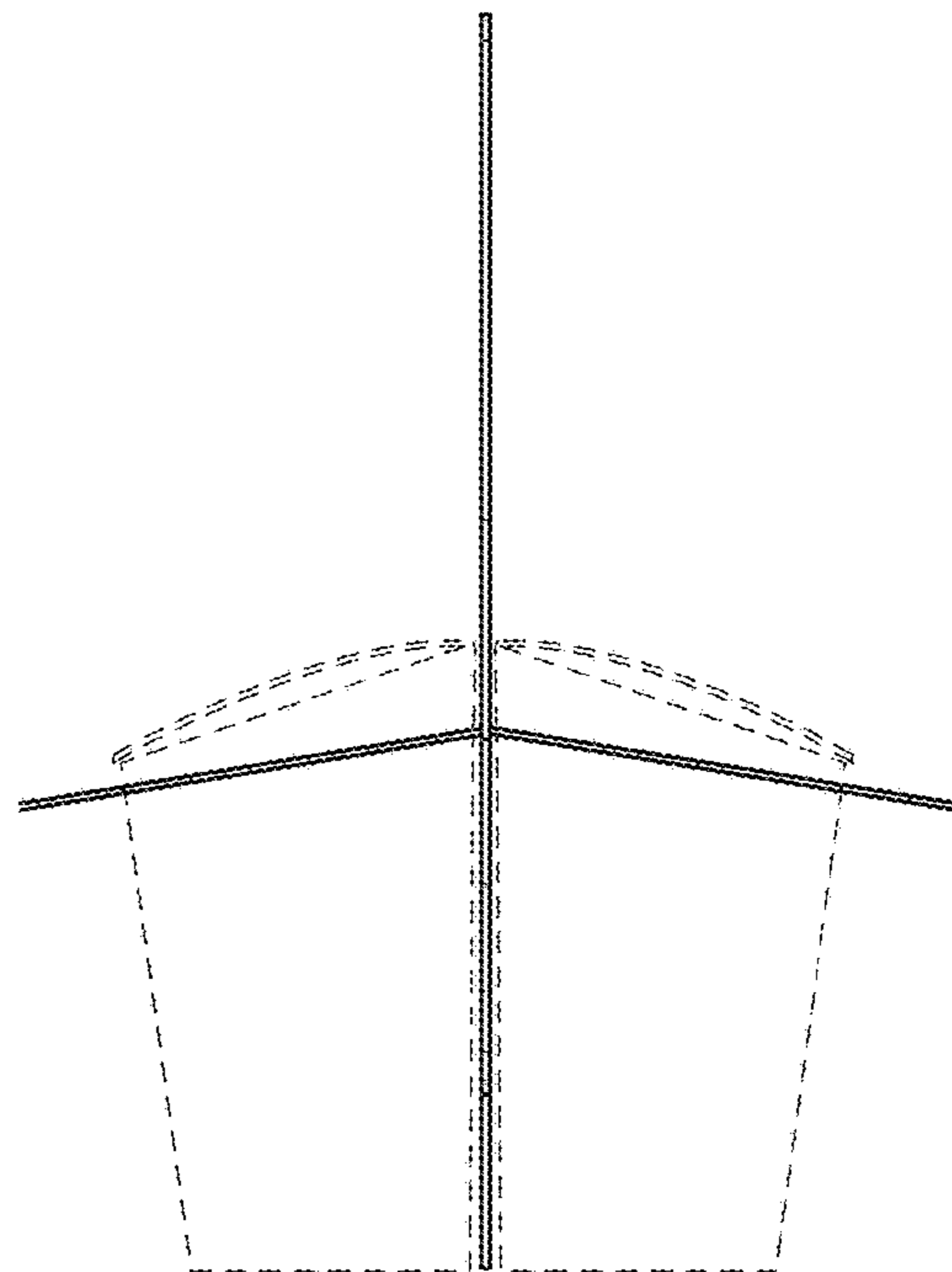


FIG. 17

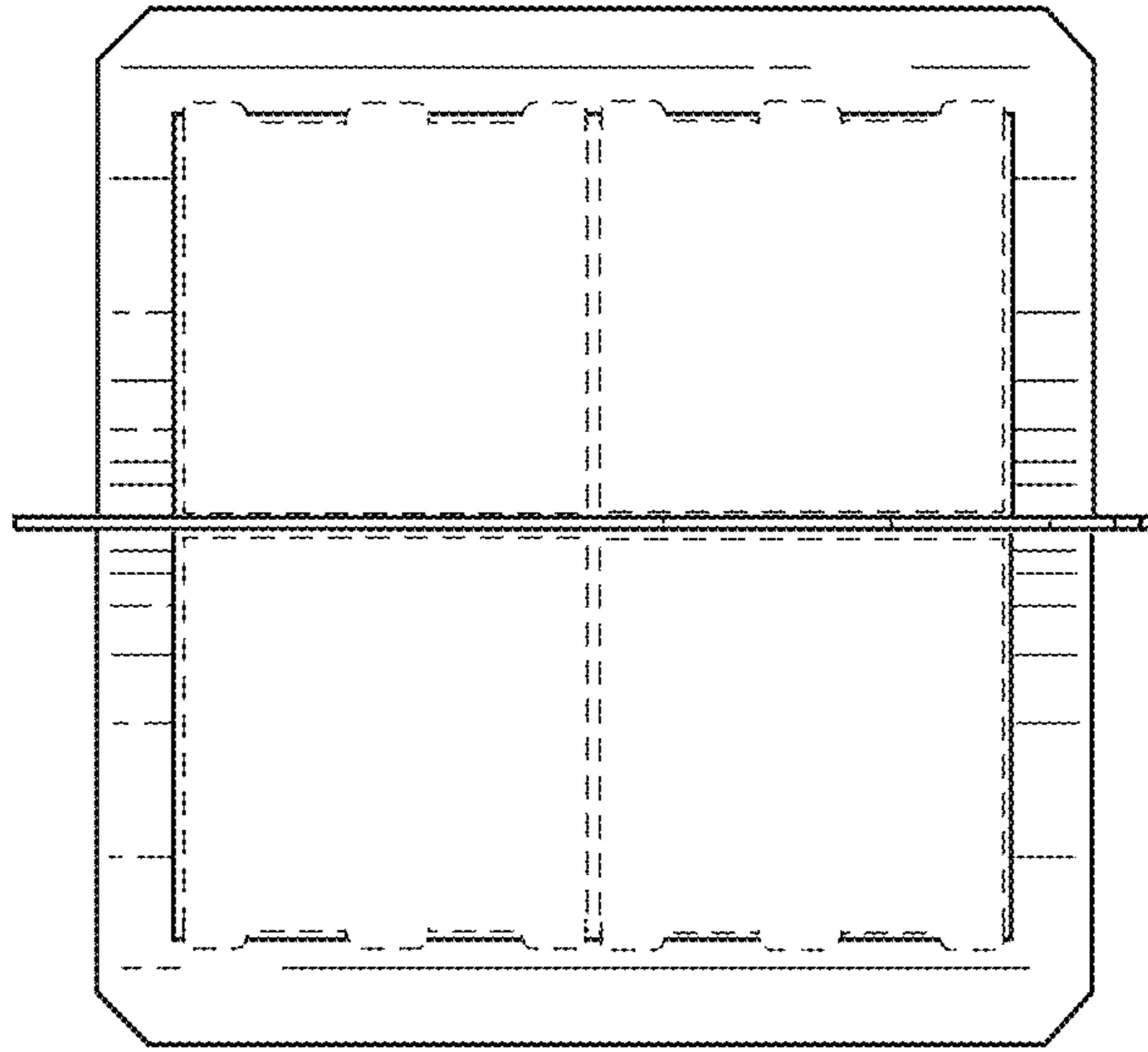


FIG. 18

