



US00D810585S

(12) **United States Design Patent**
Kim et al.

(10) **Patent No.:** **US D810,585 S**

(45) **Date of Patent:** **** Feb. 20, 2018**

(54) **PACKAGE FOR A PRINTER COMPONENT**

(71) Applicant: **S-Printing Solution Co., Ltd.**,
Suwon-si, Gyeonggi-do (KR)

(72) Inventors: **Jong-Uk Kim**, Suwon-si (KR);
Shin-Hyup Kang, Suwon-si (KR);
Young-Chae Kim, Seoul (KR)

(73) Assignee: **S-PRINTING SOLUTION CO., LTD.**,
Suwon-si (KR)

(**) Term: **15 Years**

(21) Appl. No.: **29/542,158**

(22) Filed: **Oct. 12, 2015**

(30) **Foreign Application Priority Data**

Jul. 30, 2015 (KR) 30-2015-0038365

(51) **LOC (11) Cl.** **09-03**

(52) **U.S. Cl.**
USPC **D9/737**; D9/456

(58) **Field of Classification Search**
USPC D3/20, 200, 201, 271.1, 272, 273, 302,
D3/304, 306, 309-315, 319, 901;
D6/512, 515-525, 553, 567, 570, 571,
D6/672; D7/311, 323, 326, 329-331,
D7/337, 339, 346, 347, 350.1-350.4,
D7/352-367, 387, 388, 391, 392.1, 393,
D7/395, 401.1, 402, 407-410, 415, 500,
D7/505, 538-545, 552.1, 552.2, 553.2,
D7/554.3, 555-566, 584-587, 601.1,
D7/602-609, 637, 672-674, 698, 701,
D7/704; D9/414, 418, 420-424, 427,
D9/430-435, 455, 456, 517, 737, 738,
D9/739, 740, 741, 744, 745; D19/1, 27,
D19/102, 103; D24/127, 128, 216, 224,
D24/227-229, 230, 232; D28/61, 73, 76;
D32/55, 58; D14/219, 260.1; D12/406,
D12/411, 419, 425, 426; D25/1, 2, 3, 16,
D25/56, 61, 100, 101

CPC B65D 1/243; B65D 2501/24019; B65D
2501/24165; B65D 2501/24152; B65D
11/18; B65D 85/32; B65D 85/30; B65D
1/36; B65D 1/0023; B65D 1/34; B65D
1/40; B65D 1/22; B65D 2543/00296;
B65D 2543/00194; B65D 2543/00101;
B65D 79/005; B65D 71/70; B65D
5/5021; B65D 5/5038; B65D 5/503;
B65D 5/48024; B65D 25/08; B65D
25/10; B65D 25/108; B65D 77/24; B65D
2371/0066; B65D 43/162; B65D 73/0042;
B65D 81/3453; B65D 81/3216; B65D
81/025; B65D 81/133;

(Continued)

(56) **References Cited**

U.S. PATENT DOCUMENTS

D326,962 S * 6/1992 Mowry D30/130
D353,095 S * 12/1994 Kendra D9/456

(Continued)

Primary Examiner — Thomas Johannes

Assistant Examiner — Catherine S Posthauer

(74) *Attorney, Agent, or Firm* — Cantor Colburn LLP

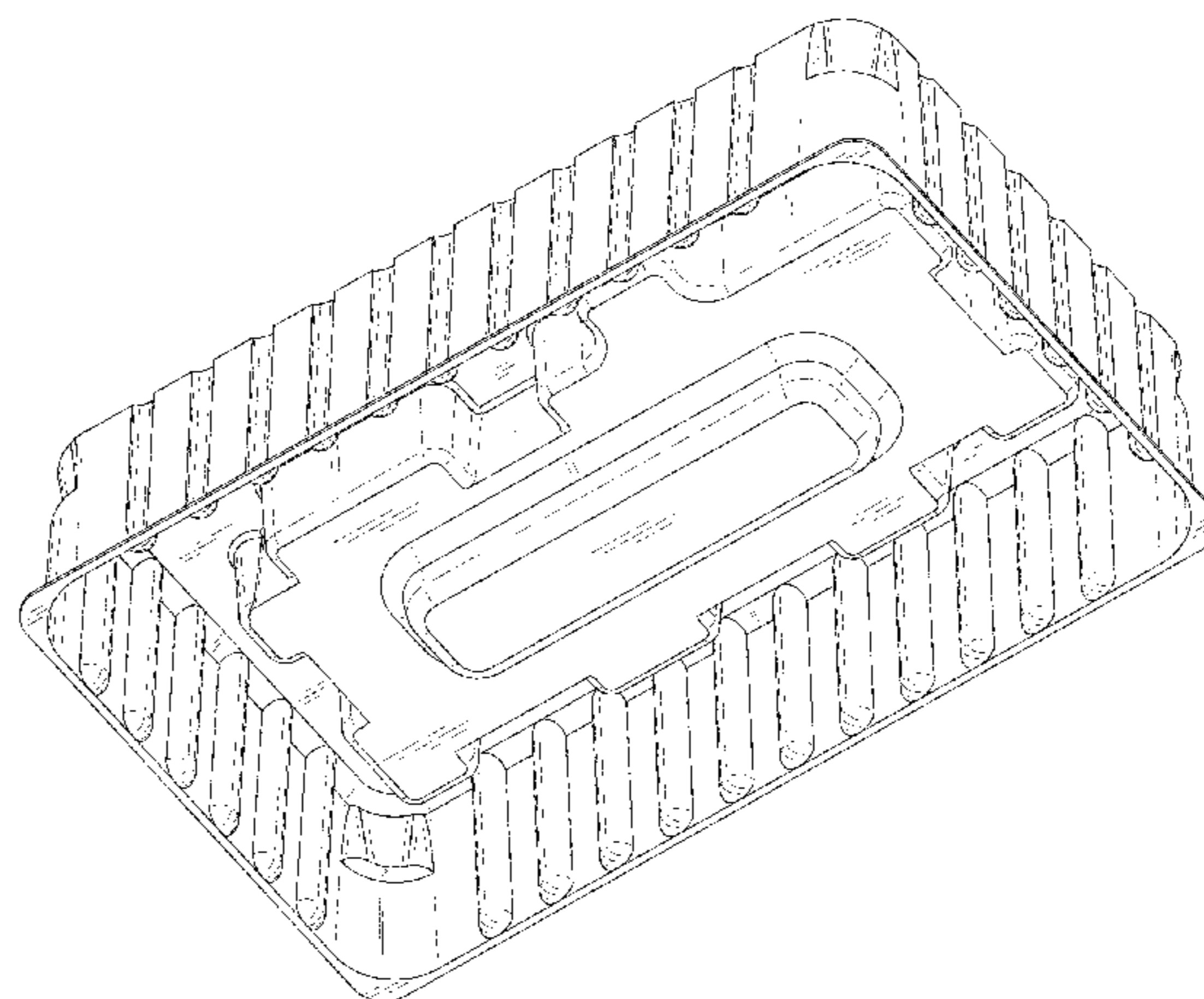
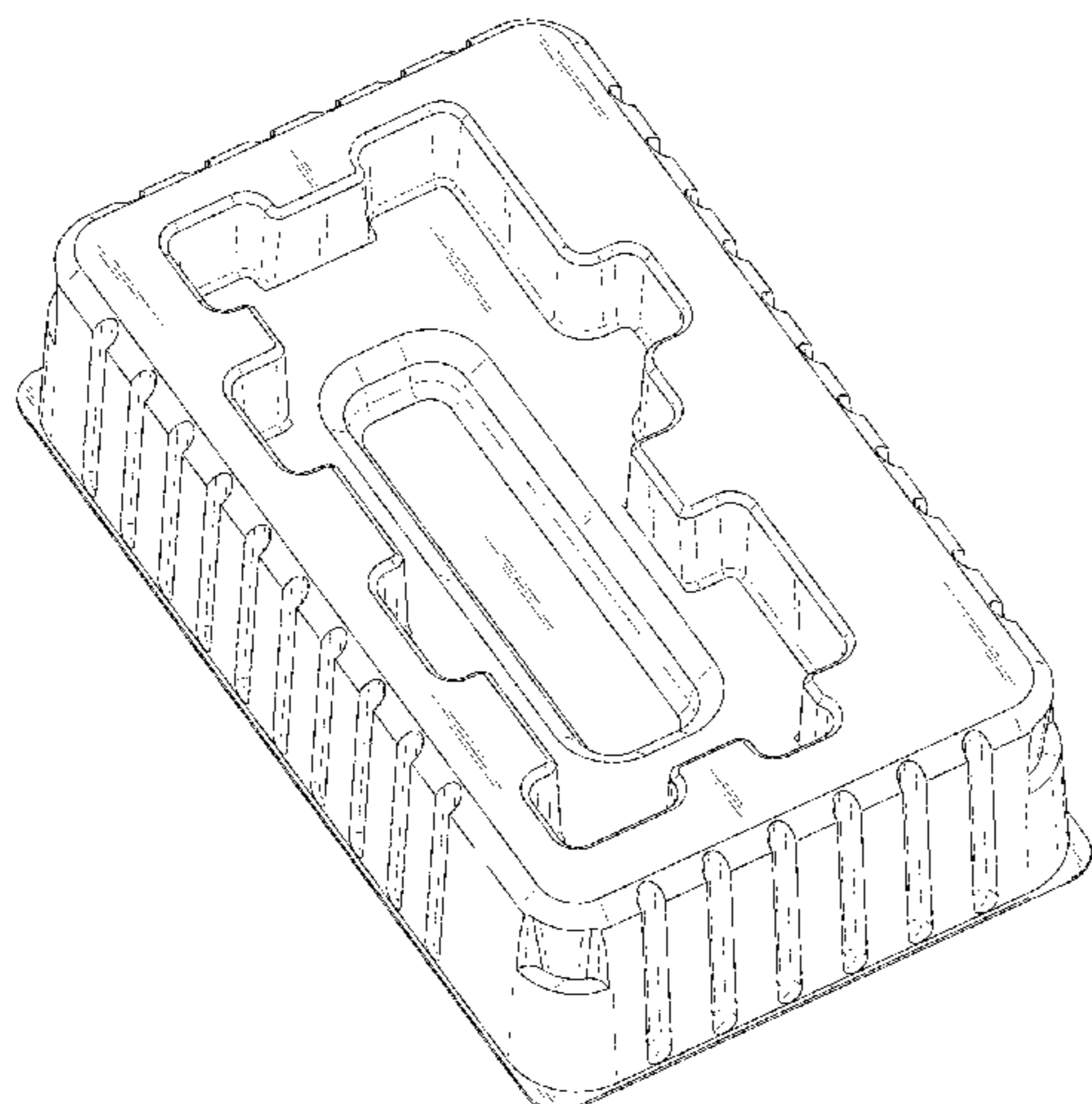
(57) **CLAIM**

The ornamental design for a package for a printer component, as shown and described.

DESCRIPTION

FIG. 1 is a perspective view of a package for a printer component, showing our new design;
FIG. 2 is a front view thereof;
FIG. 3 is a rear view thereof;
FIG. 4 is a side view thereof;
FIG. 5 is another side view thereof;
FIG. 6 is a top plan view thereof;
FIG. 7 is a bottom plan view thereof;
FIG. 8 is another perspective view thereof; and,
FIG. 9 is a bottom perspective view thereof.

1 Claim, 7 Drawing Sheets



(58) **Field of Classification Search**

CPC B65D 83/00; B65D 2519/00069; B65D 2519/00174; B65D 2519/00288; B65D 2519/00268; B65D 2519/00318; B65D 2519/00273; B65B 1/04; A47J 27/00; A47J 27/002; A47J 27/004; A47J 27/08; A47J 27/21; A47J 27/58; A47J 35/025; A47J 45/061; A47J 45/065; A47J 45/071; A47J 45/08; A47J 29/00; A47J 29/02; A47J 29/04; A47J 29/06; A45J 37/00; A45J 37/10; A45J 37/101; A45J 37/103; A45J 37/1204; A45J 37/0704; H05B 6/06; H05B 6/12; A01K 41/02; A01K 41/026; A01K 41/04; A23B 5/00; A23B 5/005; A23B 5/0052; F26B 25/18; A47F 5/0807; A47B 73/00

See application file for complete search history.

(56) **References Cited**

U.S. PATENT DOCUMENTS

D369,469 S * 5/1996 Gregory D3/313
 D391,078 S * 2/1998 Jacober D3/304

D392,463 S * 3/1998 Grey D3/319
 D400,441 S * 11/1998 Warren D9/456
 D403,566 S * 1/1999 Marsh D3/313
 D419,062 S * 1/2000 Feldmeier D9/759
 D515,423 S * 2/2006 Chu D9/456
 D558,453 S * 1/2008 Richter D3/304
 D595,959 S * 7/2009 Wade D3/319
 D612,153 S * 3/2010 Liao D3/304
 D627,645 S * 11/2010 Ma D9/456
 D627,646 S * 11/2010 Li D9/456
 D627,648 S * 11/2010 He D9/456
 D627,649 S * 11/2010 He D9/456
 D661,188 S * 6/2012 Fahy D9/456
 D661,189 S * 6/2012 Fahy D9/456
 D661,190 S * 6/2012 Fahy D9/456
 D728,818 S * 5/2015 Burroughs D24/230
 D751,726 S * 3/2016 Nishioka D24/229
 D764,293 S * 8/2016 Wang D9/456
 D778,610 S * 2/2017 Chen D3/302
 D782,330 S * 3/2017 Kim D9/456
 D782,331 S * 3/2017 Kim D9/456
 D782,332 S * 3/2017 Kim D9/456

* cited by examiner

FIG. 1

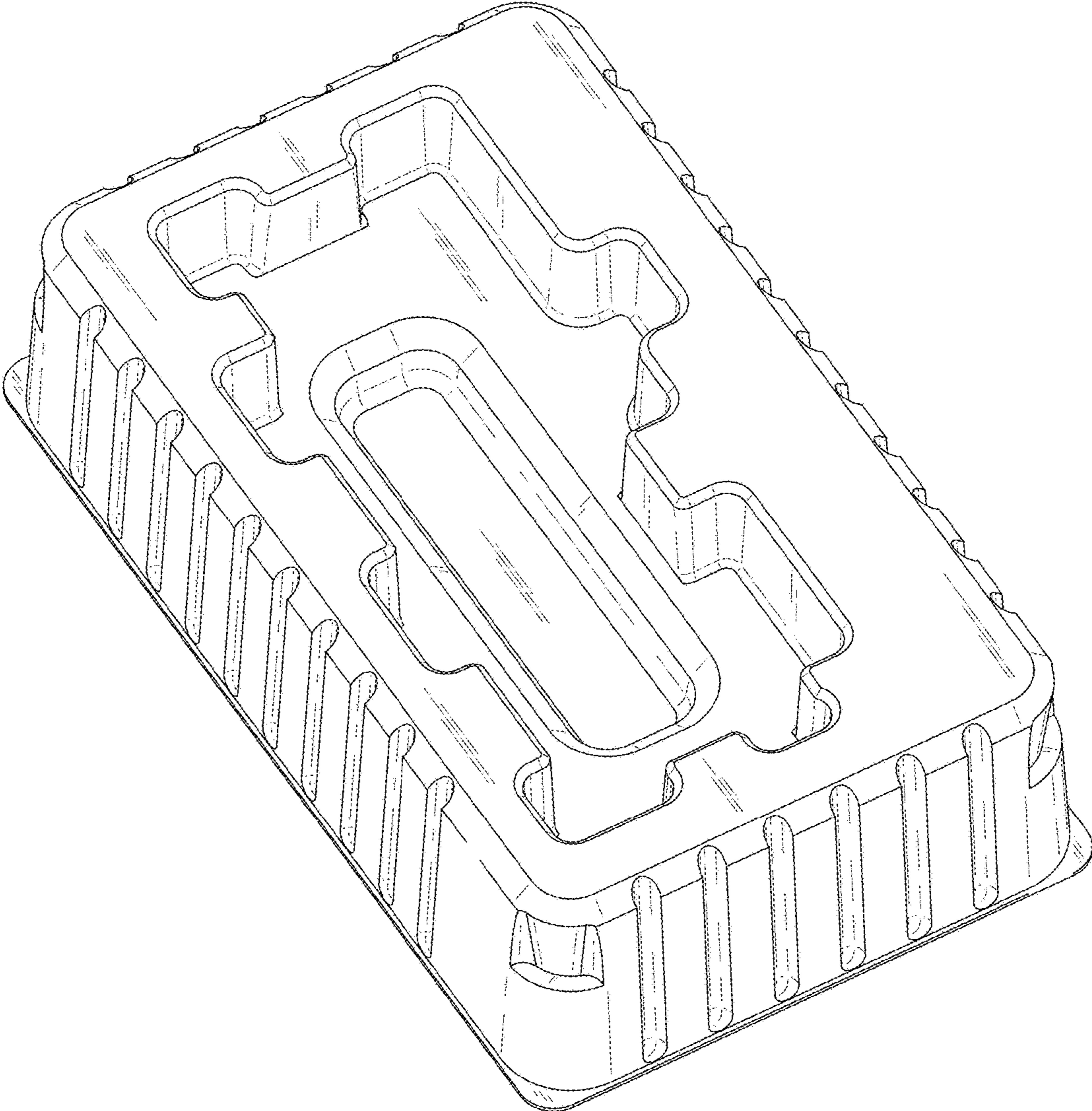


FIG. 2

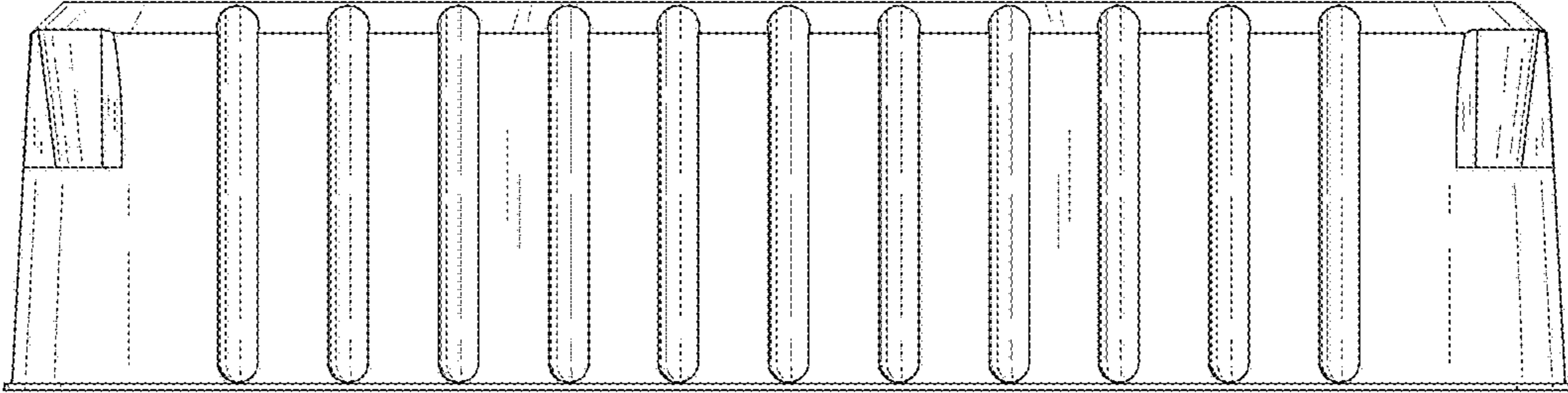


FIG. 3

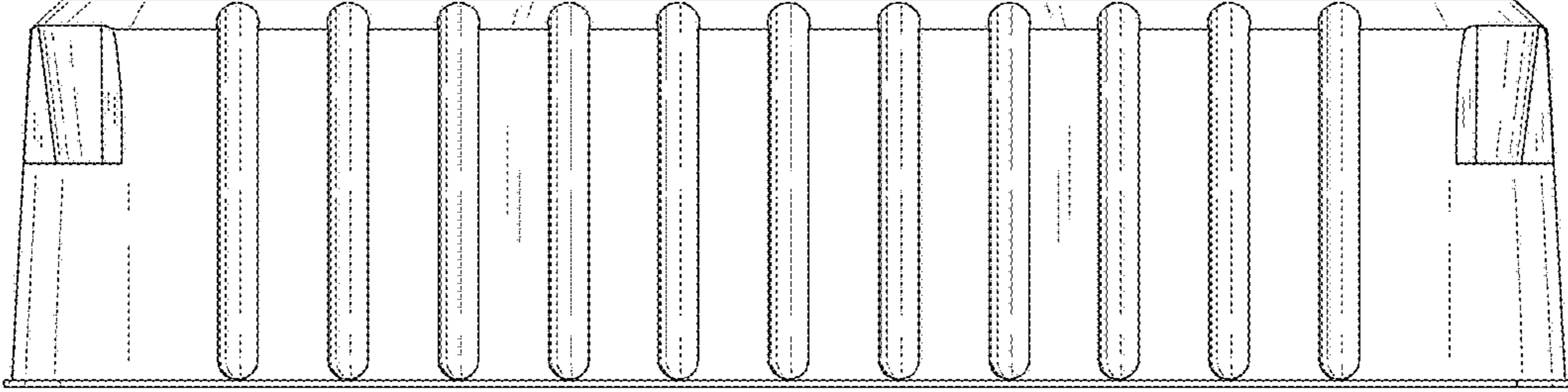


FIG. 4

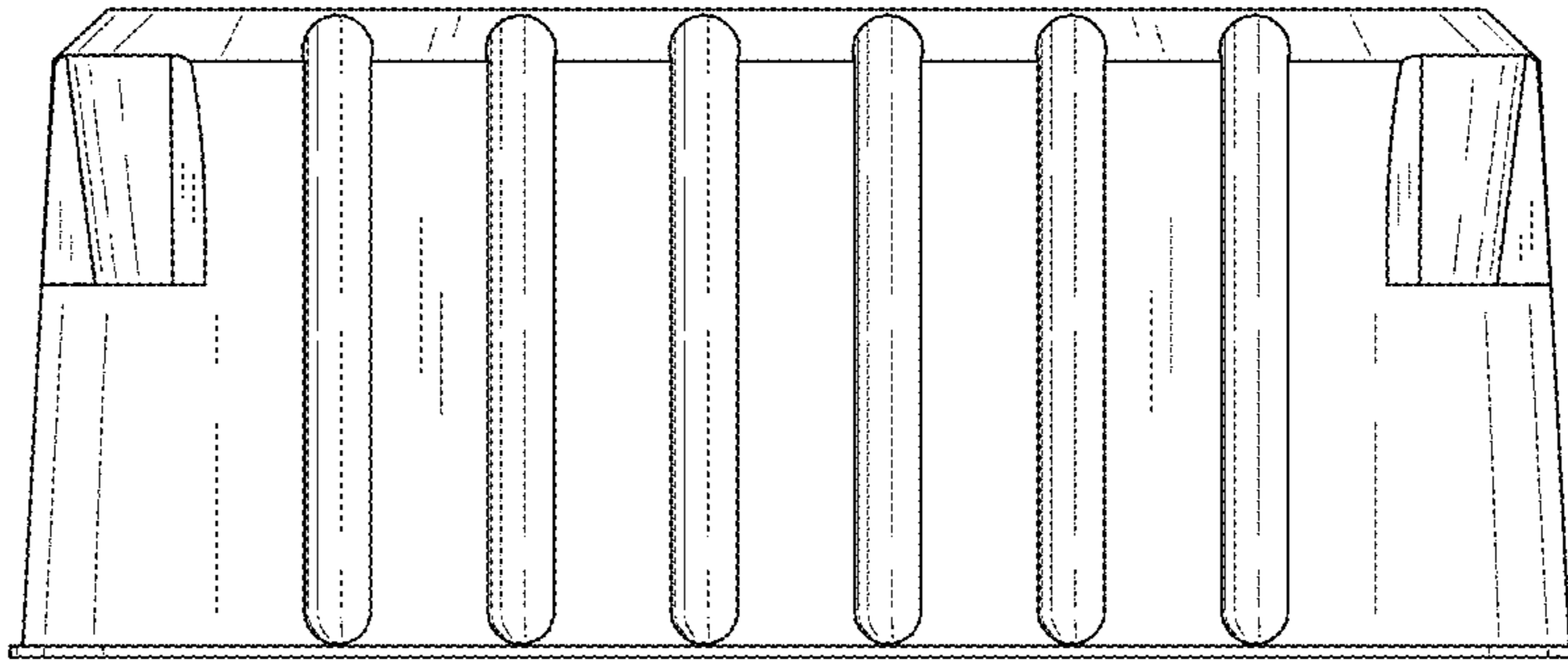


FIG. 5

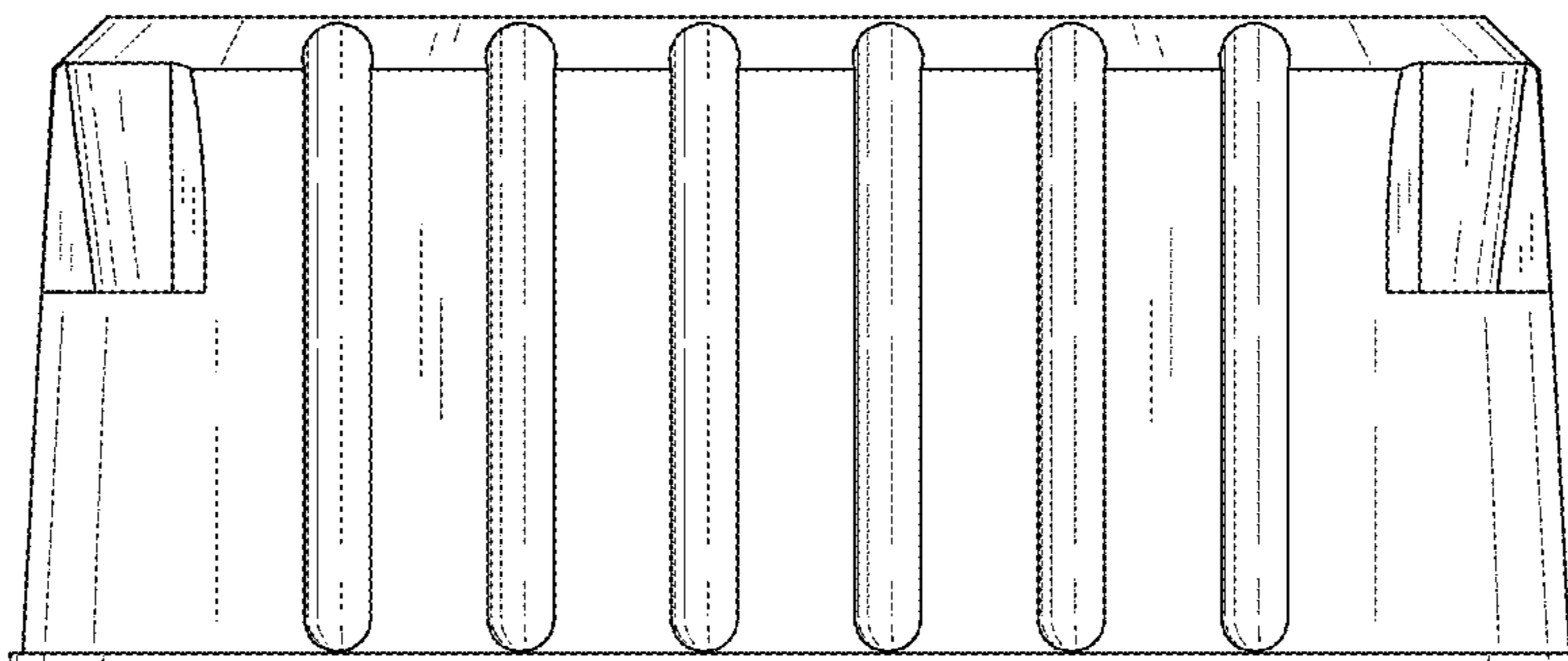


FIG. 6

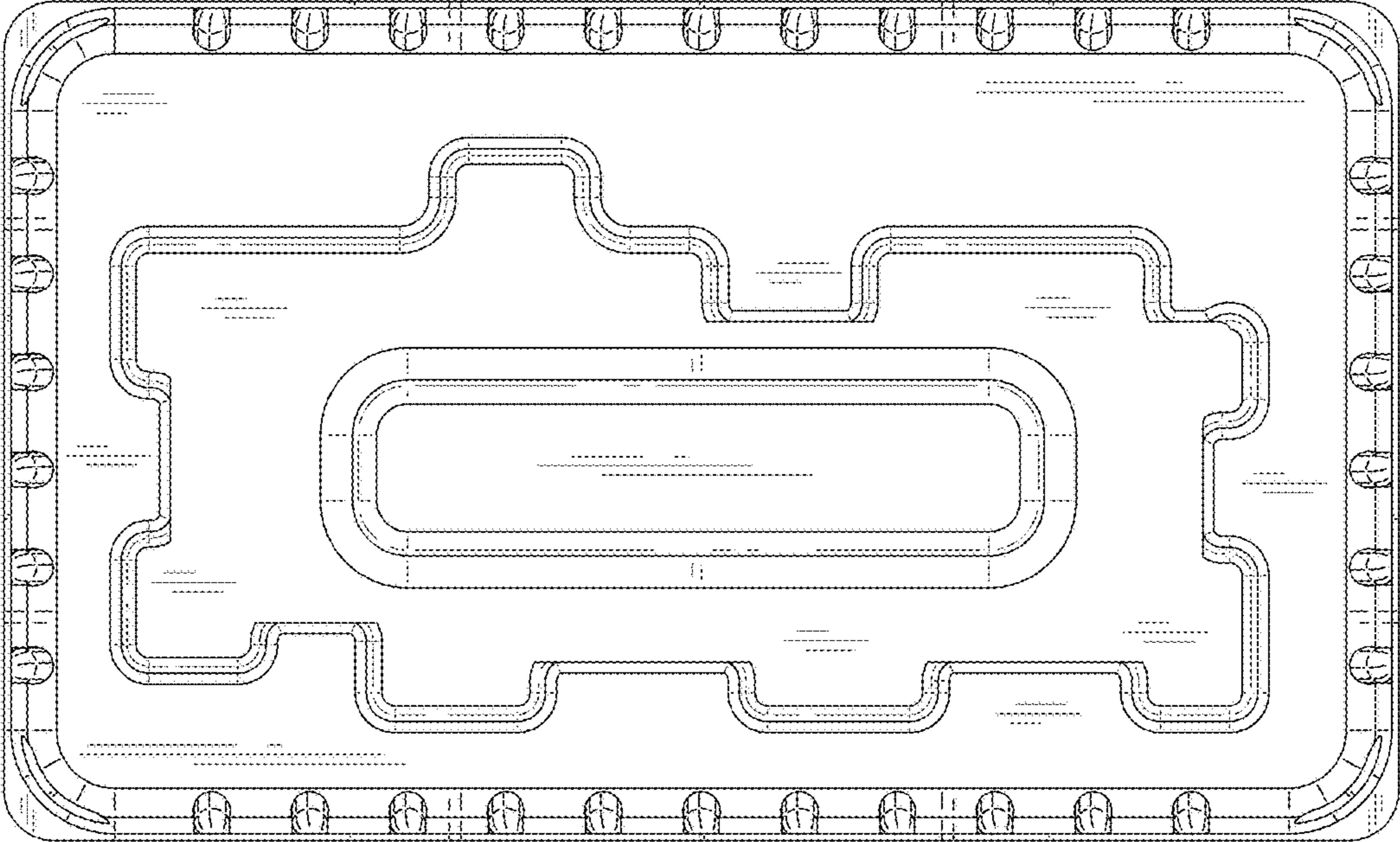


FIG. 7

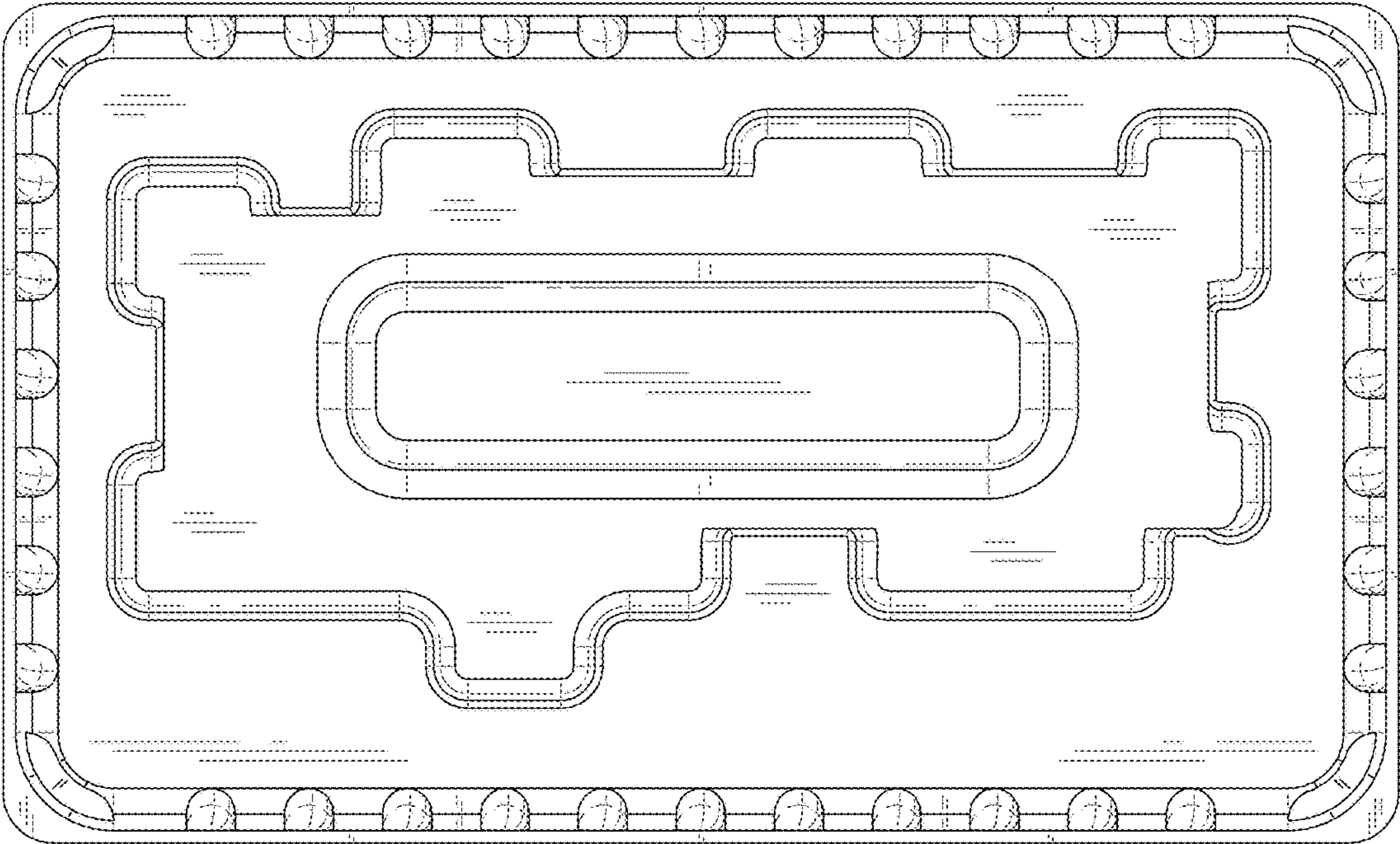


FIG. 8

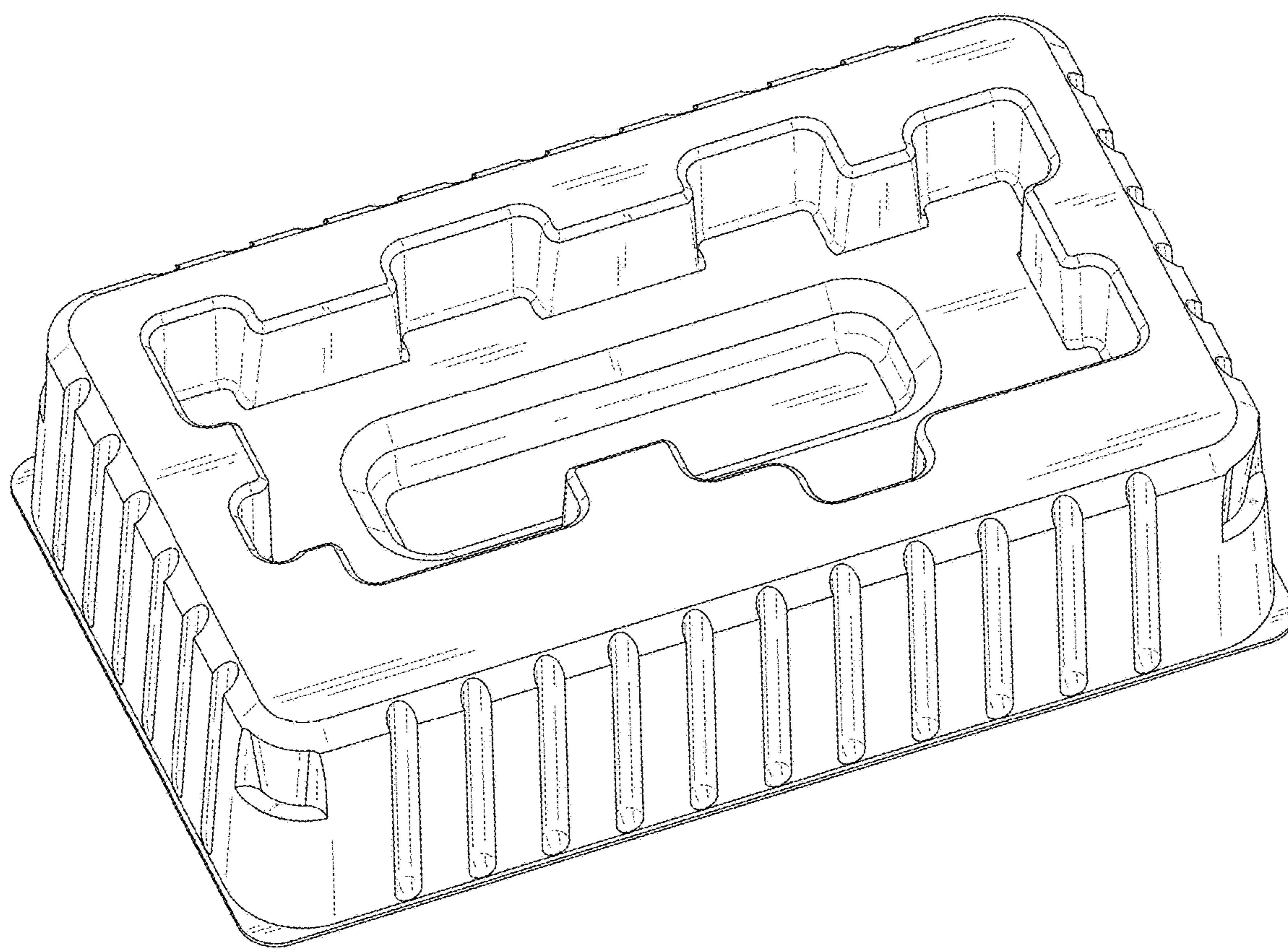


FIG. 9

