



US00D810584S

(12) **United States Design Patent** (10) **Patent No.:** **US D810,584 S**  
**Bystedt et al.** (45) **Date of Patent:** **\*\* Feb. 20, 2018**

(54) **LIQUID DISPENSER**

(71) Applicant: **BOSIGN AB**, Stockholm (SE)

(72) Inventors: **Ulf Bystedt**, Stockholm (SE); **Harald Hynell**, Vaxholm (SE)

(73) Assignee: **BOSIGN AB**, Stockholm (SE)

(\*\*) Term: **15 Years**

(21) Appl. No.: **35/500,705**

(22) Filed: **Feb. 12, 2016**

(80) **Hague Agreement Data**

Int. Filing Date: **Feb. 12, 2016**

Int. Reg. No.: **DM/089571**

Int. Reg. Date: **Feb. 12, 2016**

Int. Reg. Pub. Date: **Mar. 11, 2016**

(30) **Foreign Application Priority Data**

Feb. 12, 2016 (WO) ..... DM/089 571

(51) **LOC (11) Cl.** ..... **09-01**

(52) **U.S. Cl.**  
USPC ..... **D9/723**

(58) **Field of Classification Search**

USPC ..... D9/503, 516, 738, 454

See application file for complete search history.

(56) **References Cited**

U.S. PATENT DOCUMENTS

D57,488 S *	4/1921	Vivaudou	.....	D9/503
3,357,395 A	12/1967	Lorber		
4,190,180 A	2/1980	Bennet		
D354,001 S *	1/1995	Park	.....	D9/516
D555,013 S *	11/2007	Bartolone	.....	D9/738
D641,257 S *	7/2011	Thiebaut	.....	D9/454

\* cited by examiner

*Primary Examiner* — Rhea Shields

(74) *Attorney, Agent, or Firm* — Jeffrey S. Melcher;  
Manelli Selter PLLC

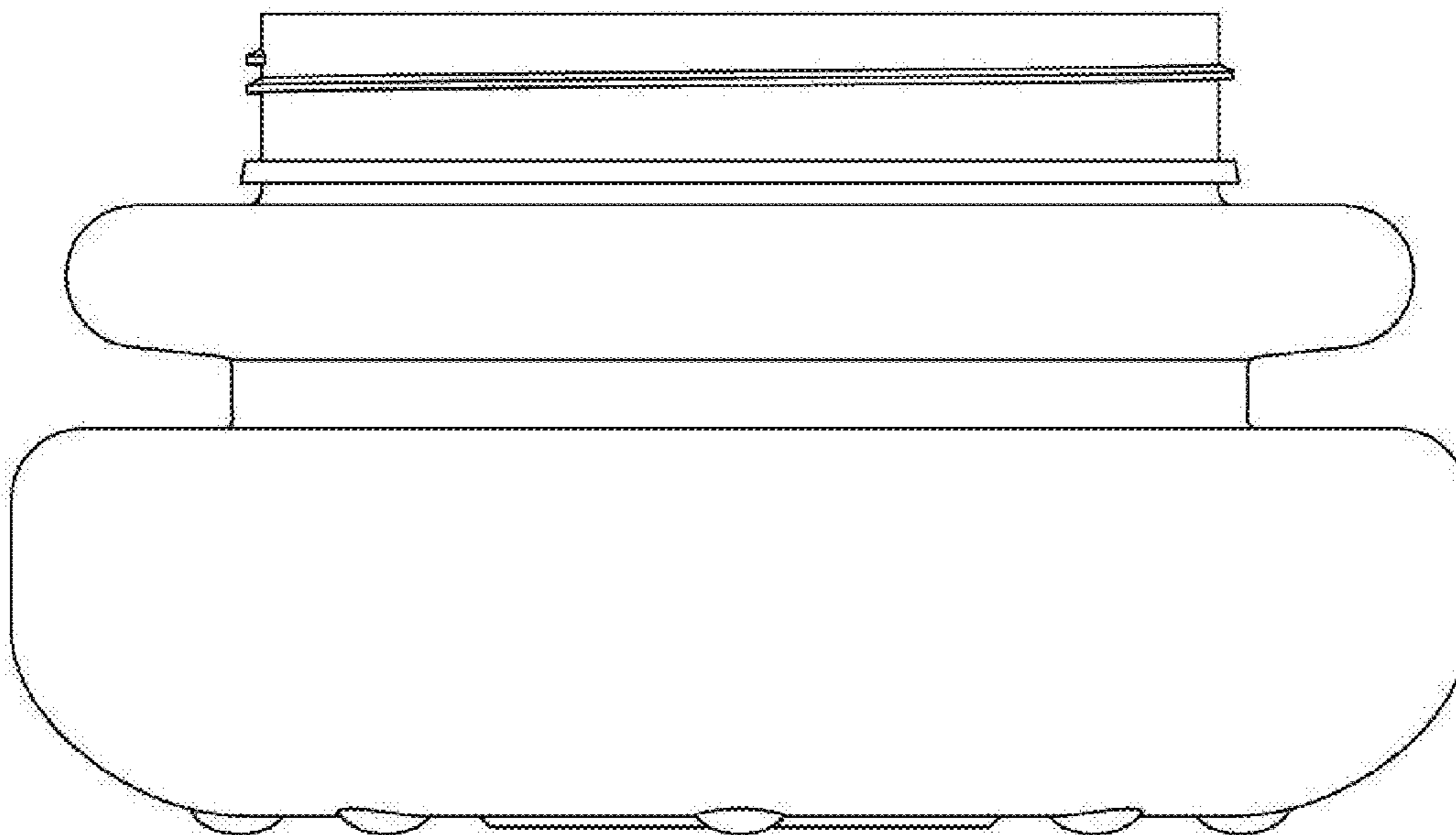
(57) **CLAIM**

The ornamental design for a liquid dispenser, as shown and described.

**DESCRIPTION**

- 3.1 : Back;
- 3.2 : Bottom;
- 3.3 : Front;
- 3.4 : Left;
- 3.5 : Right;
- 3.6 : Top; and
- 3.7 : Perspective.

**1 Claim, 7 Drawing Sheets**



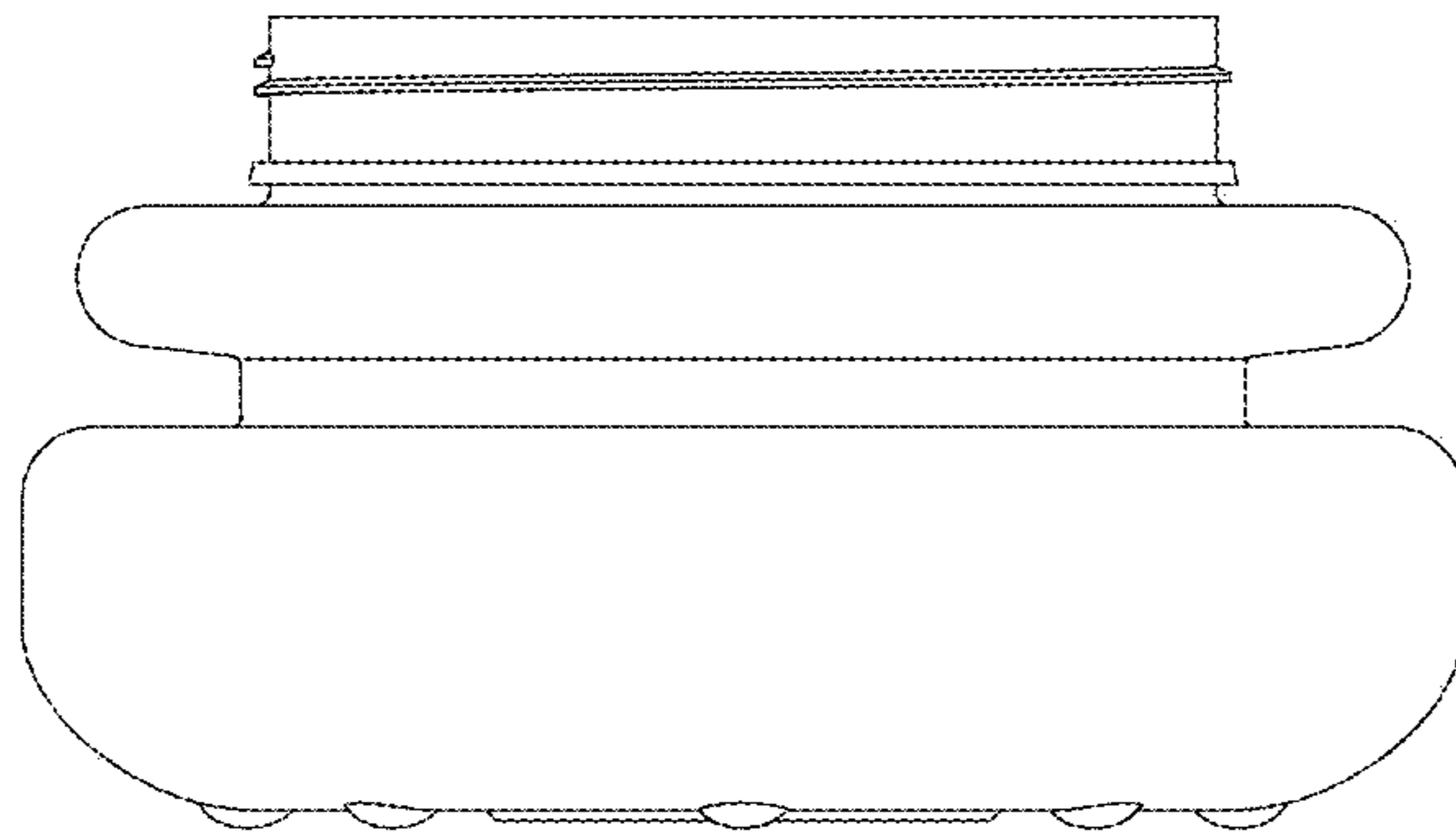


Fig. 3.1

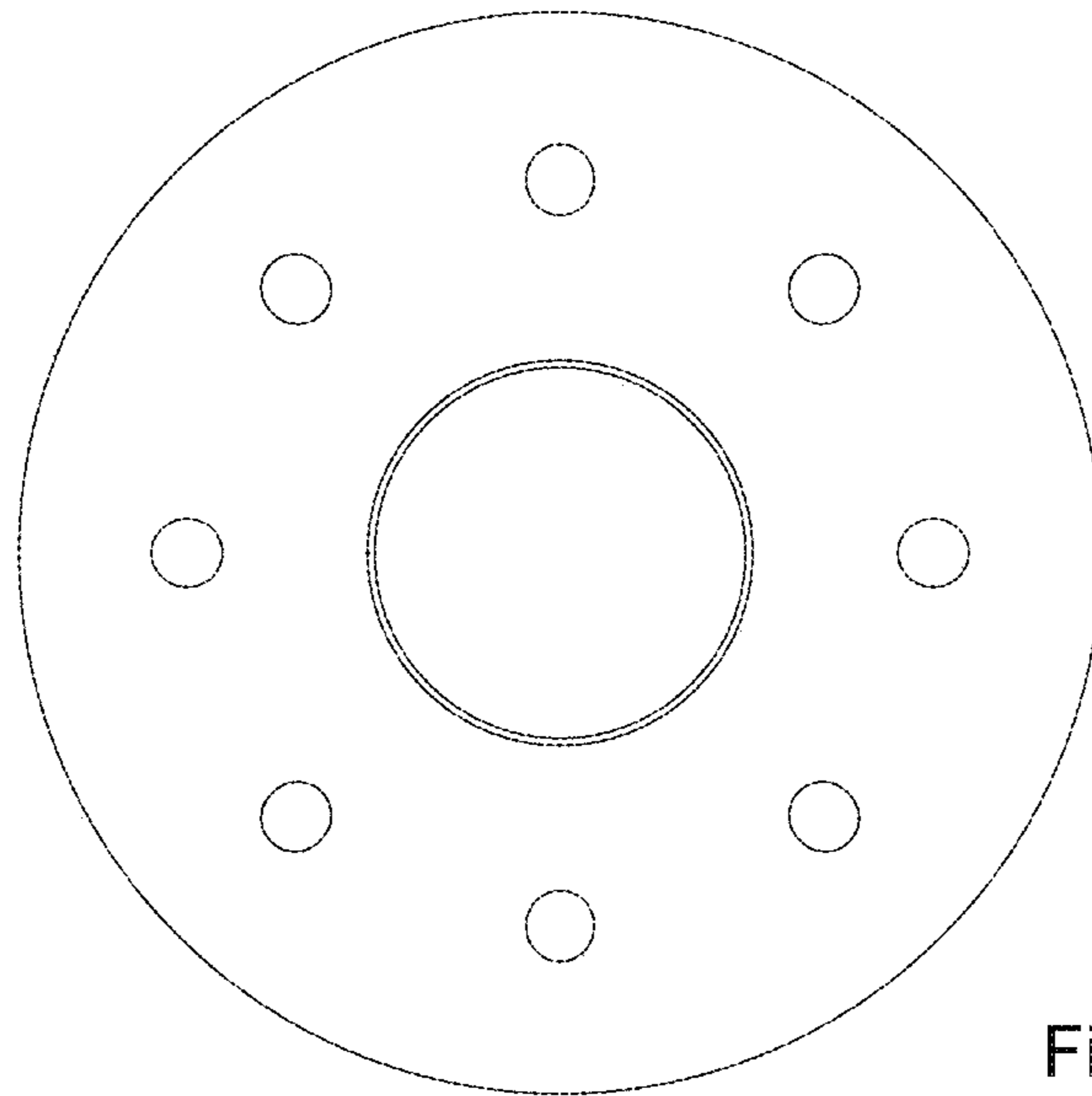


Fig. 3.2

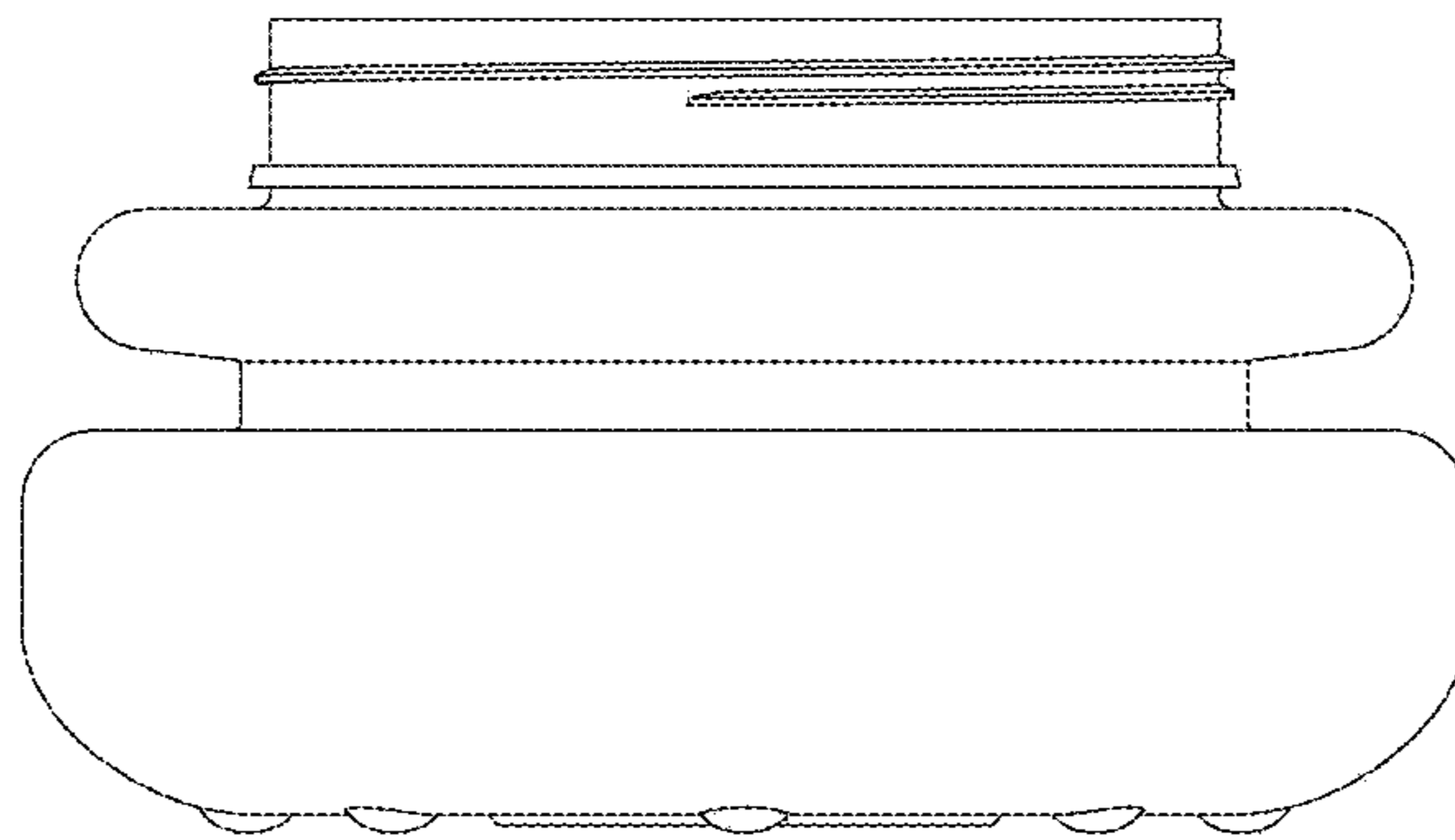


Fig. 3.3

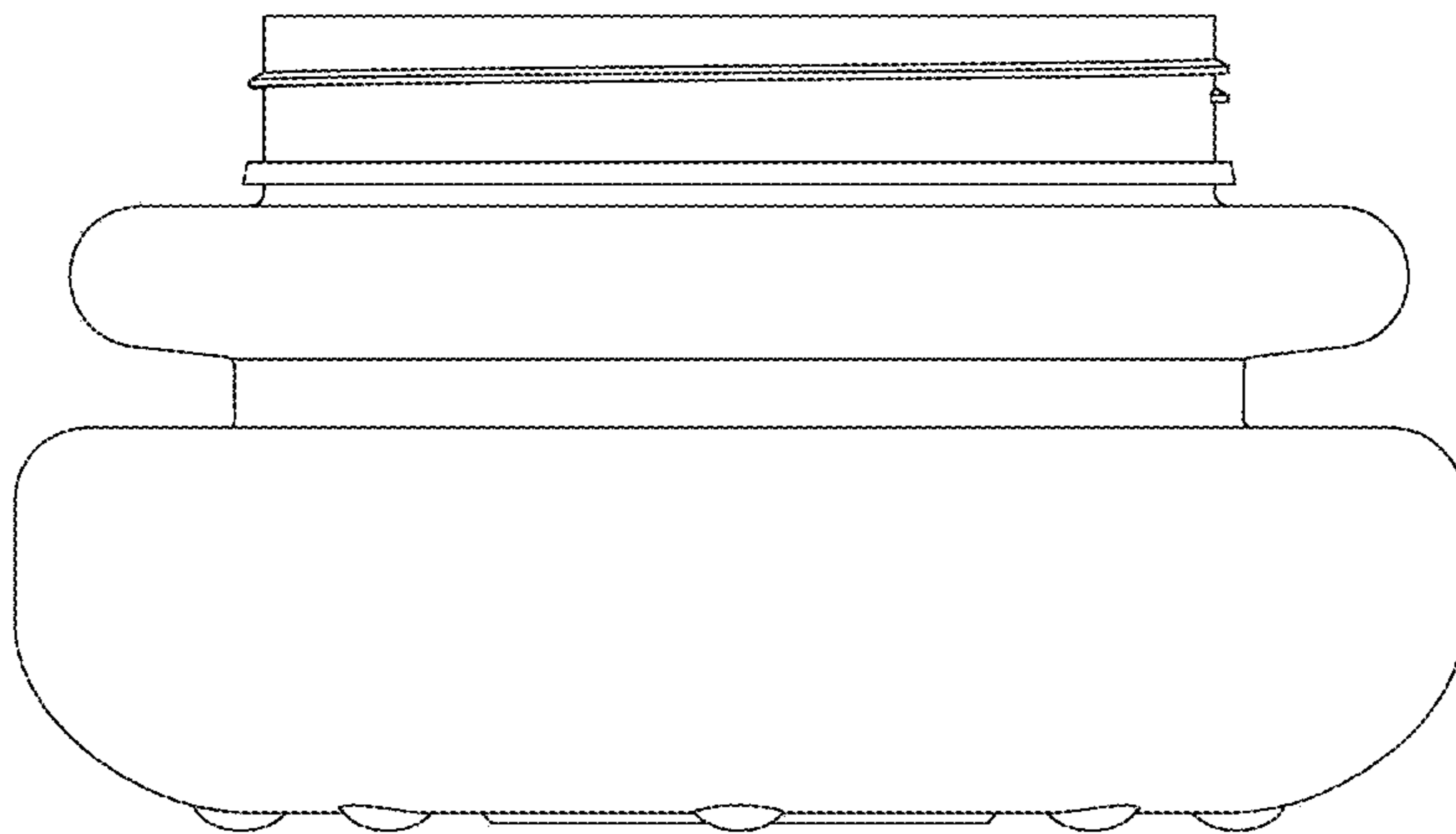


Fig. 3.4

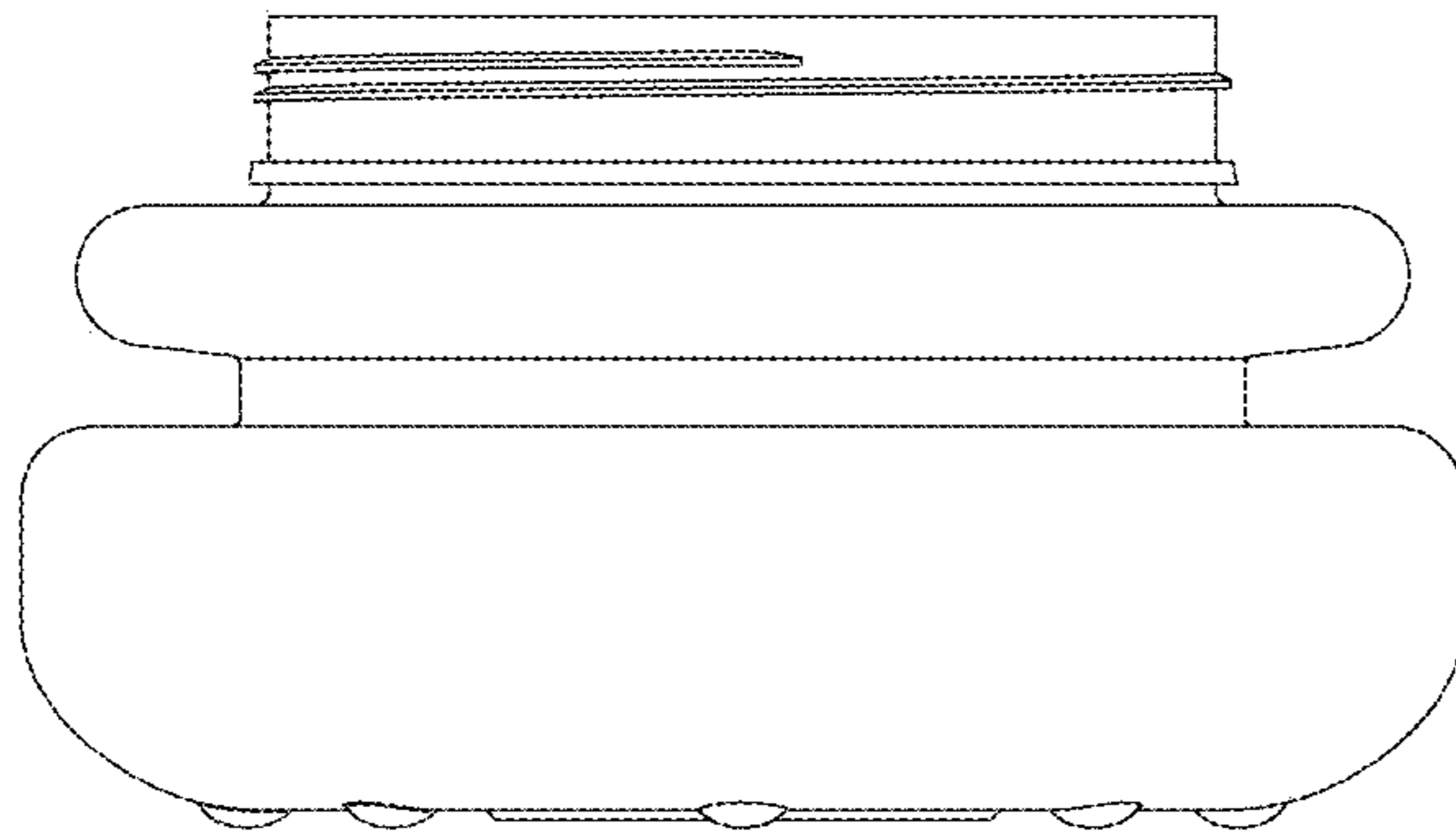


Fig. 3.5

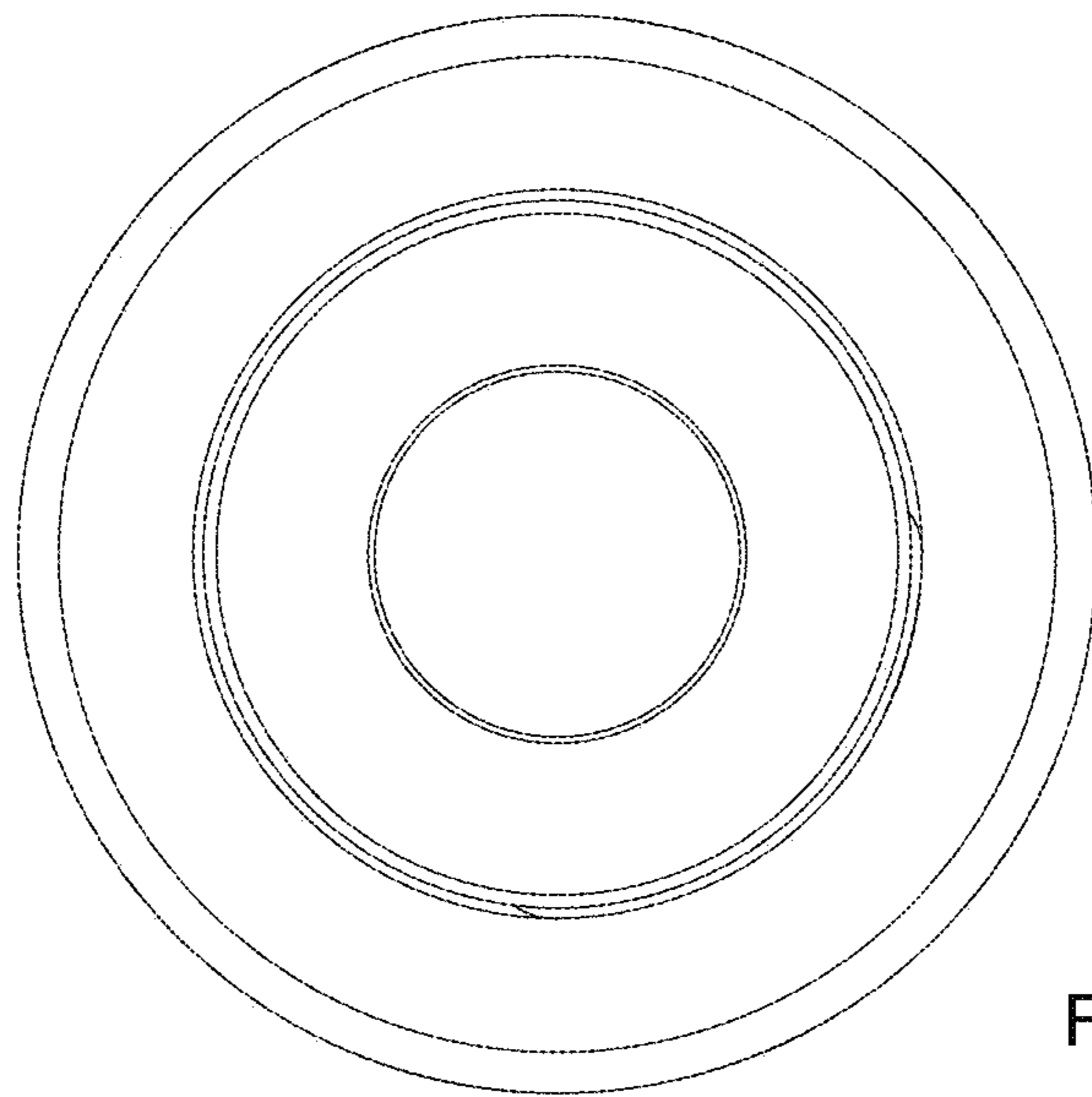


Fig. 3.6

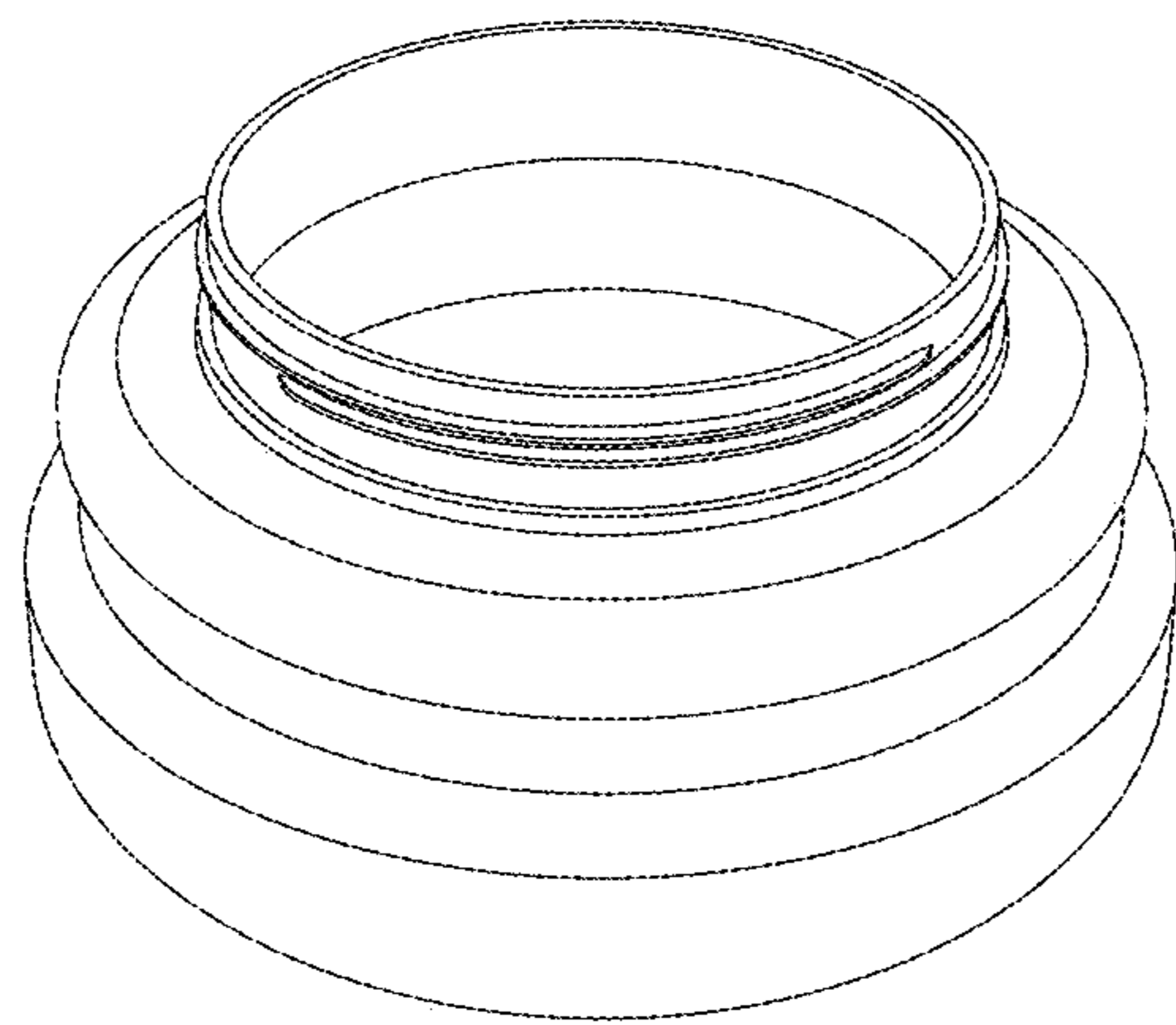


Fig. 3.7