



US00D810576S

(12) **United States Design Patent**  
**Hawry et al.**

(10) **Patent No.:** **US D810,576 S**  
(45) **Date of Patent:** **\*\* Feb. 20, 2018**

- (54) **BOTTLE**
- (71) Applicant: **Berlin Packaging, LLC**, Chicago, IL (US)
- (72) Inventors: **Liam Hawry**, Chicago, IL (US); **James Tobin**, Marina Del Rey, CA (US); **Brett Niggel**, Chicago, IL (US)
- (73) Assignee: **Berlin Packaging, LLC**, Chicago, IL (US)
- (\*\*) Term: **15 Years**
- (21) Appl. No.: **29/587,703**
- (22) Filed: **Dec. 15, 2016**
- (51) **LOC (11) Cl.** ..... **09-01**
- (52) **U.S. Cl.**  
USPC ..... **D9/542**
- (58) **Field of Classification Search**  
USPC ..... D9/516, 519, 520, 521, 527, 528, 529, D9/530, 531, 533, 540, 542, 544, 550, D9/553, 556, 557, 558, 559, 563, 564, D9/565, 566, 567, 545, 536, 537, 538, D9/539, 541, 543, 522; D3/202, 203.1, D3/205; D4/114; D6/515, 542; D7/300, D7/300.1, 598  
CPC ..... B65D 2501/0009; B65D 2501/00; B65D 23/00; B65D 1/0223; B65D 1/00; B65D 1/02  
See application file for complete search history.

- D495,604 S \* 9/2004 Lund ..... D9/542
- D503,890 S \* 4/2005 Thunberg ..... D9/550
- D527,645 S \* 9/2006 Pedmo ..... B65D 1/0223  
D9/542
- D535,565 S \* 1/2007 Pitassi ..... D9/530
- D607,738 S \* 1/2010 Kuzma ..... D9/542
- D672,247 S \* 12/2012 Kreider ..... D9/542
- D681,473 S \* 5/2013 Nanda ..... D9/541
- D720,622 S \* 1/2015 Gelov ..... D9/449
- D721,590 S \* 1/2015 Hughes ..... D9/516
- D722,875 S \* 2/2015 Hughes ..... D9/516
- D722,876 S \* 2/2015 Hughes ..... D9/516
- D726,545 S \* 4/2015 Kuzma ..... D9/539
- D727,160 S \* 4/2015 Kuzma ..... D9/539
- D738,732 S \* 9/2015 Gelov ..... D9/529
- D746,148 S \* 12/2015 Flood ..... D9/520

(Continued)

*Primary Examiner* — Caron D Veynar  
*Assistant Examiner* — Katrina N Gonzalez  
(74) *Attorney, Agent, or Firm* — Adam K Sacharoff;  
Much Shelist, PC

(57) **CLAIM**

The ornamental design for a bottle, as shown and described.

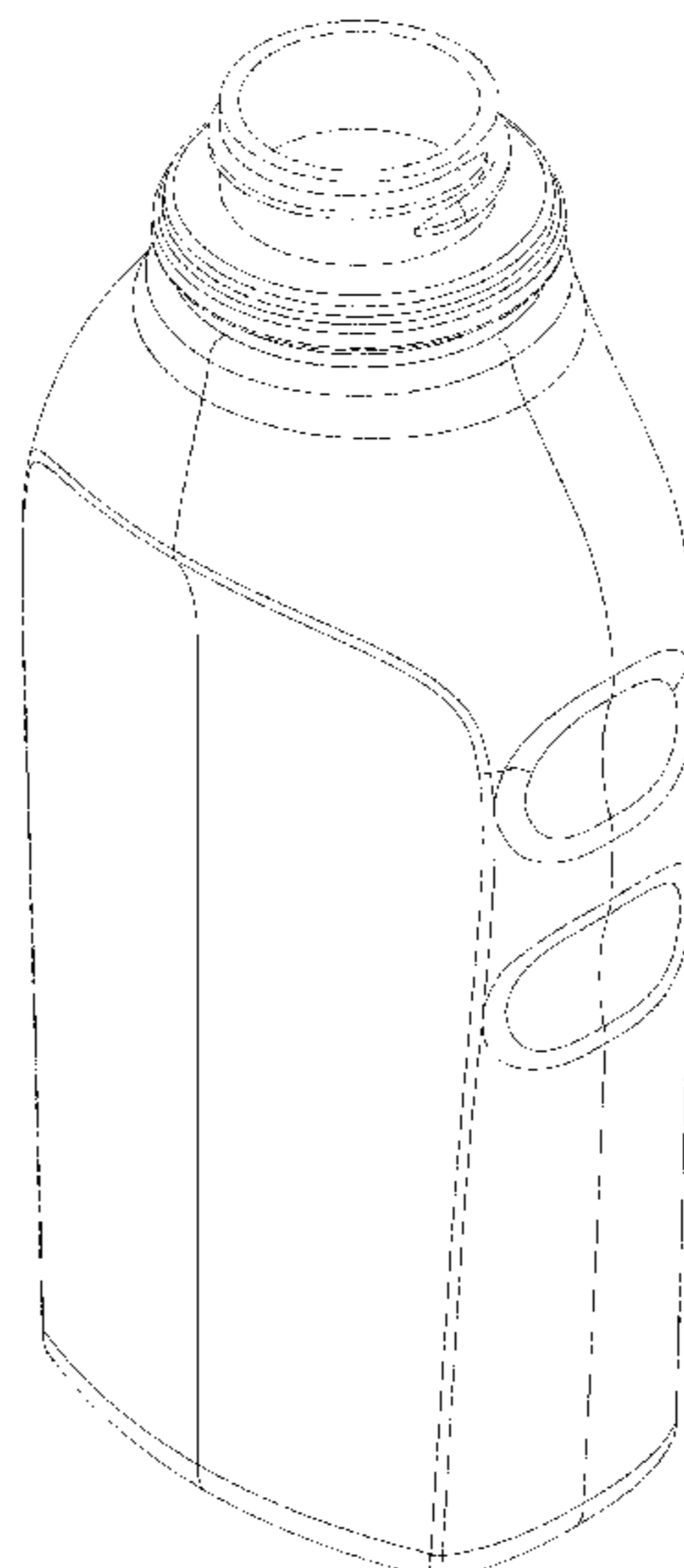
**DESCRIPTION**

FIG. 1 is a front right side perspective view showing the new design for a bottle;  
FIG. 2 is a front left side perspective view thereof;  
FIG. 3 is a front right side perspective view taken from underneath the bottle;  
FIG. 4 is a front view thereof;  
FIG. 5 is a rear view thereof;  
FIG. 6 is a left side view thereof;  
FIG. 7 is a right side view thereof;  
FIG. 8 is a top plan view thereof; and,  
FIG. 9 is a bottom plan view thereof.  
The broken lines in FIGS. 1-8 are included to show unclaimed subject matter only and form no part of the claimed design.

**1 Claim, 9 Drawing Sheets**

(56) **References Cited**  
U.S. PATENT DOCUMENTS

- D97,400 S \* 11/1935 Lewis ..... D9/539
- D251,111 S \* 2/1979 Furlong ..... D9/516
- D378,662 S \* 4/1997 Gobe ..... D9/434
- D379,930 S \* 6/1997 Gobe ..... D9/539
- D452,159 S \* 12/2001 Belser ..... D9/542



(56)

**References Cited**

U.S. PATENT DOCUMENTS

D753,502 S *	4/2016	Kuzma .....	D9/558
D757,557 S *	5/2016	Melms, Jr. ....	D9/530
D786,579 S *	5/2017	Beck .....	D6/542
D792,780 S *	7/2017	Jost .....	D9/520

\* cited by examiner

FIG. 1

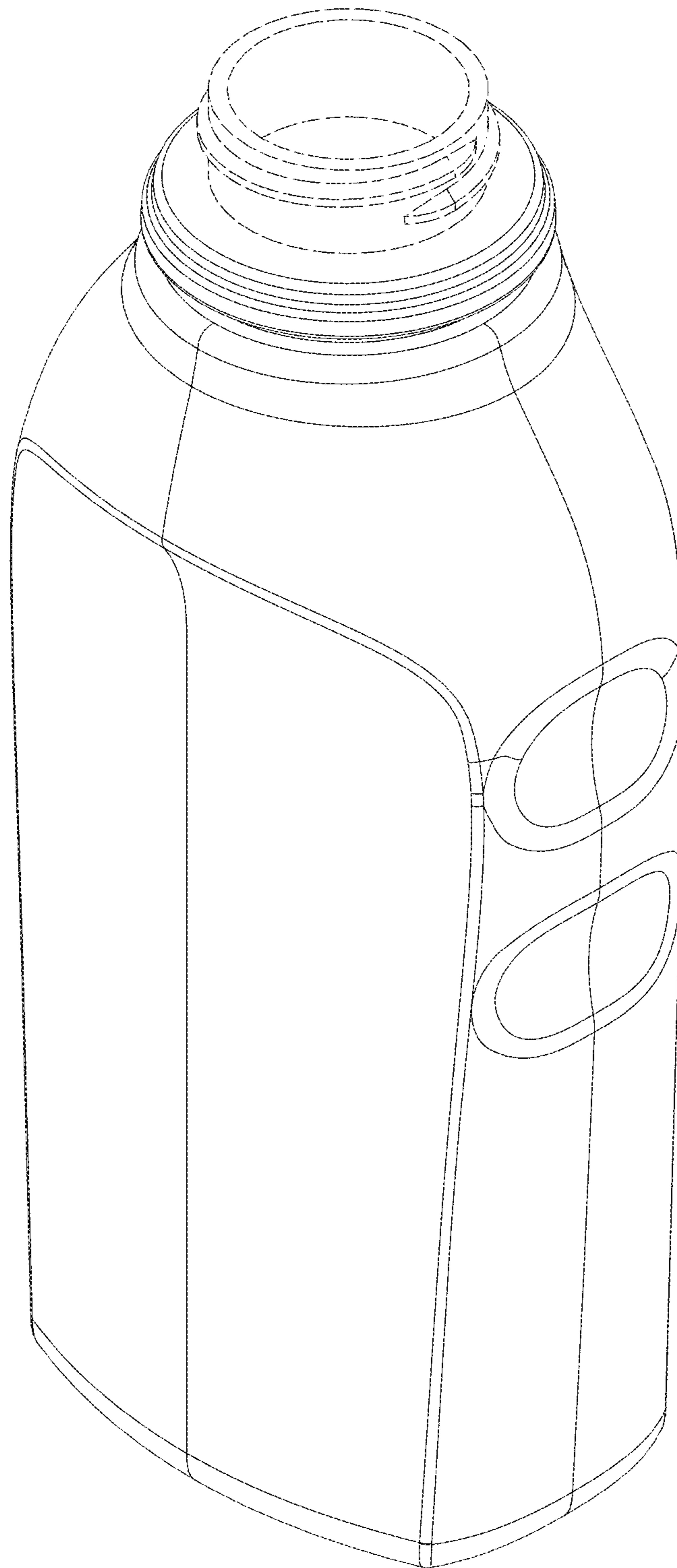


FIG. 2

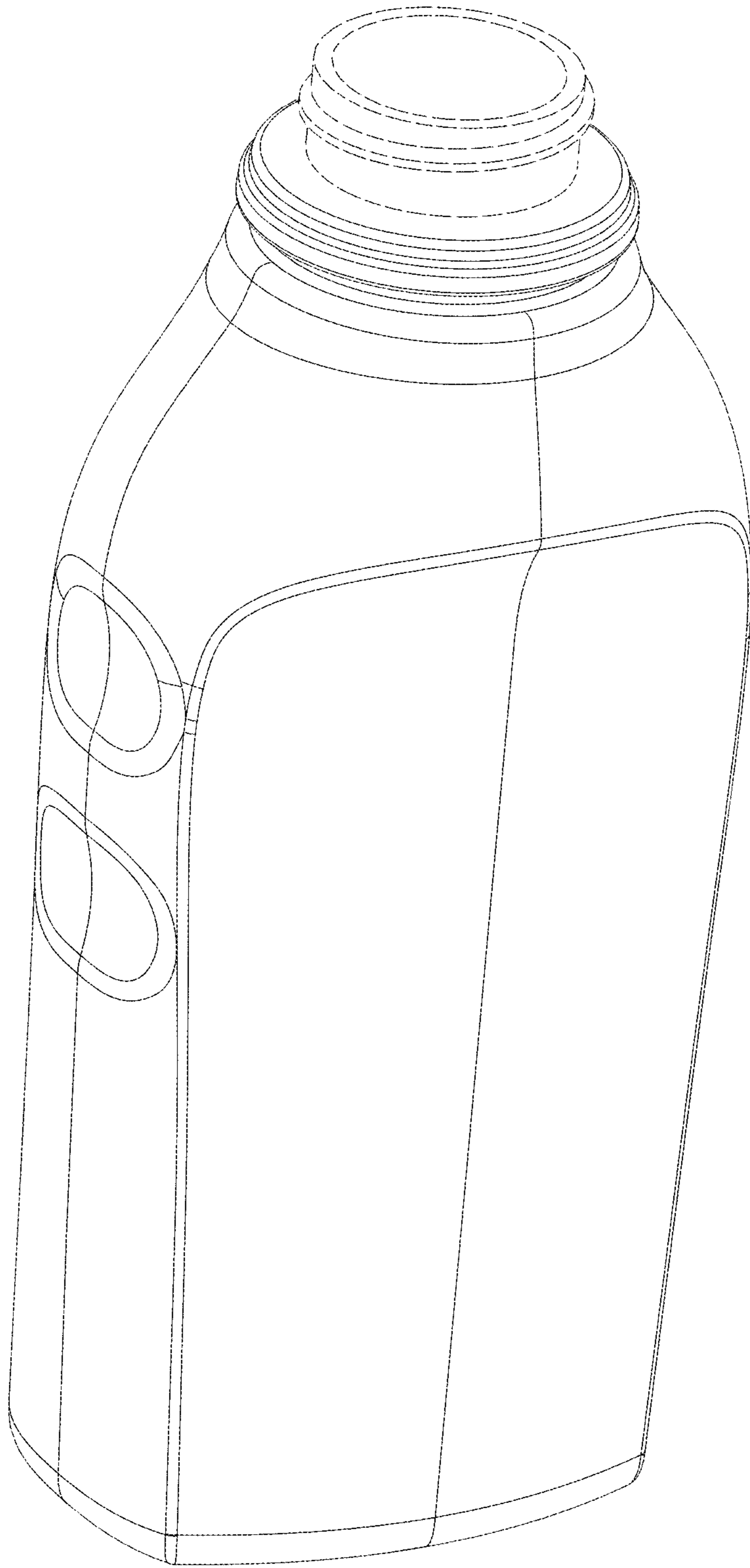


FIG. 3

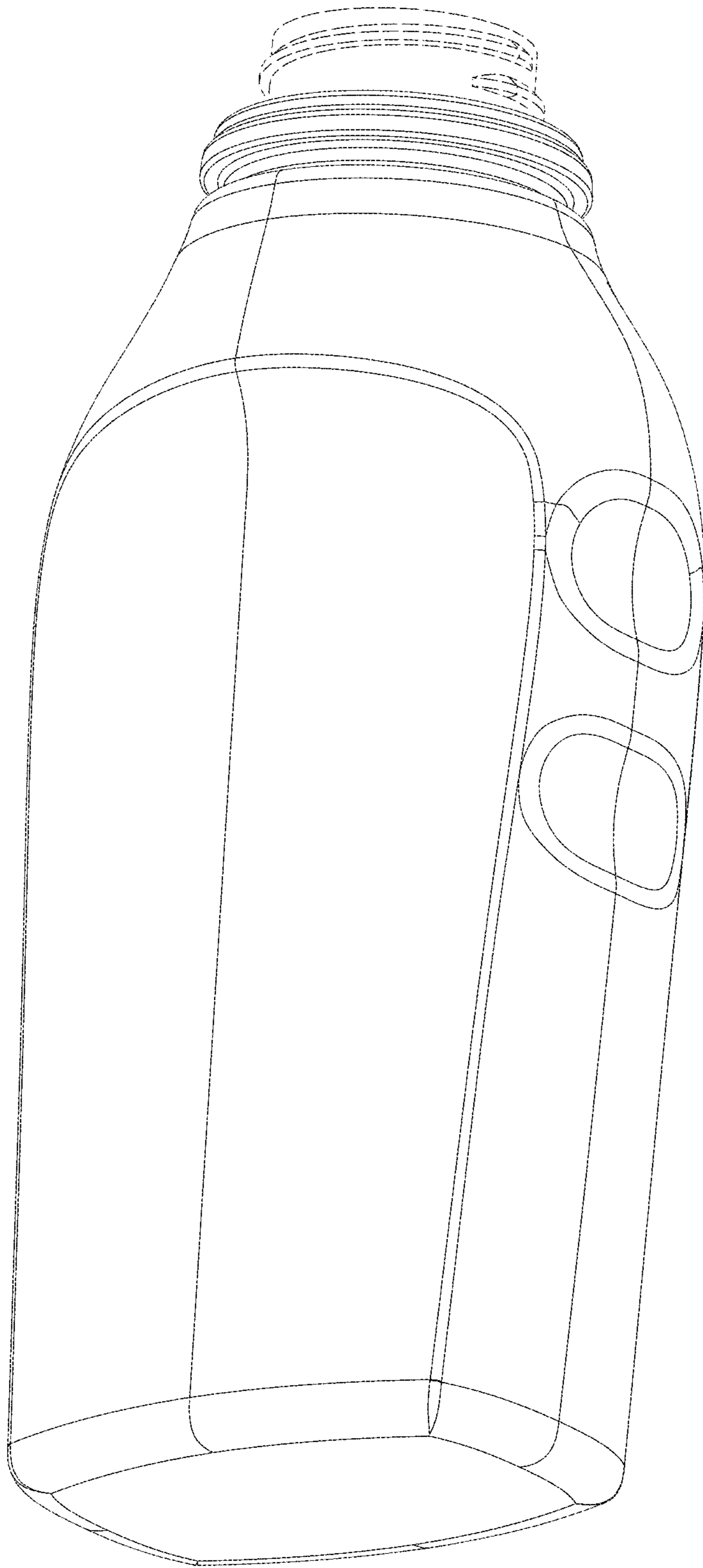


FIG. 4

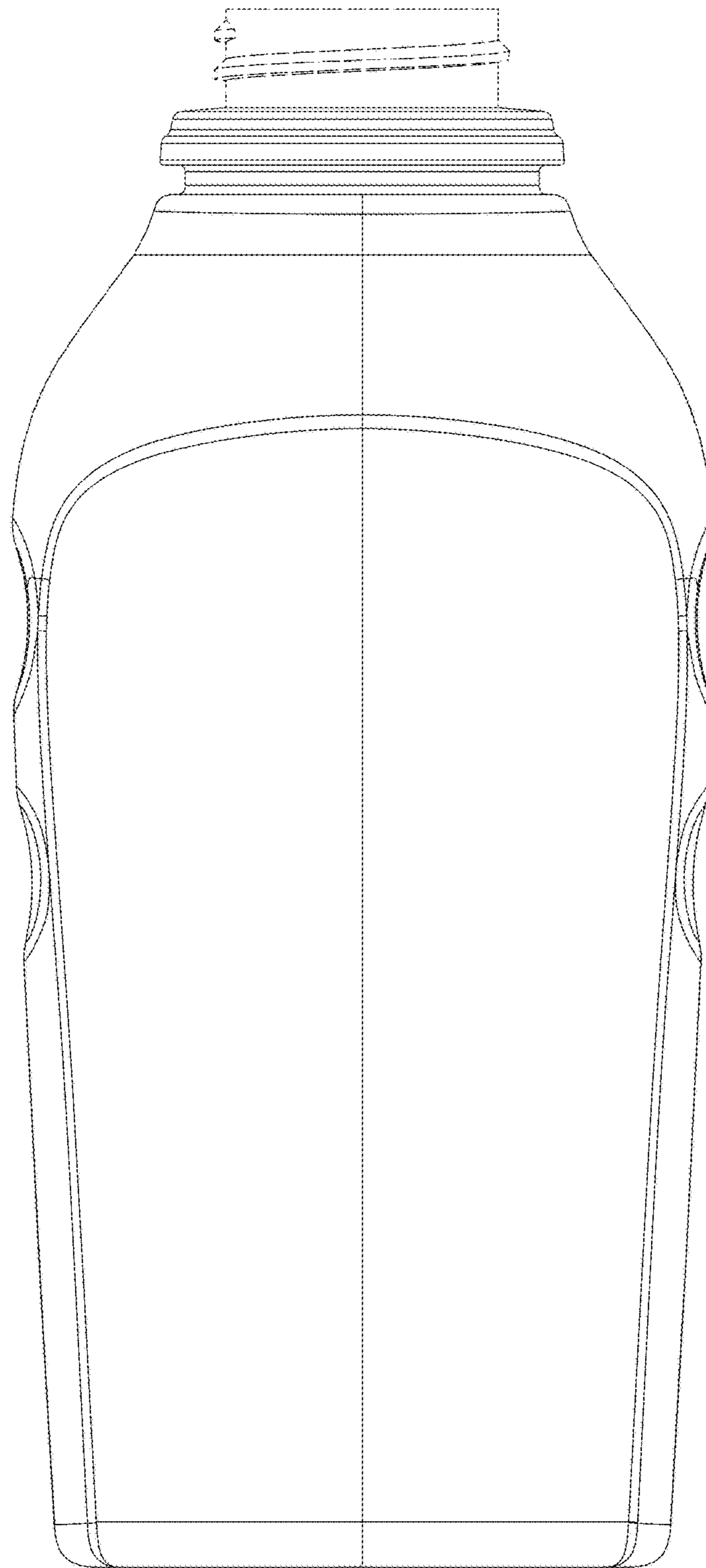




FIG. 5

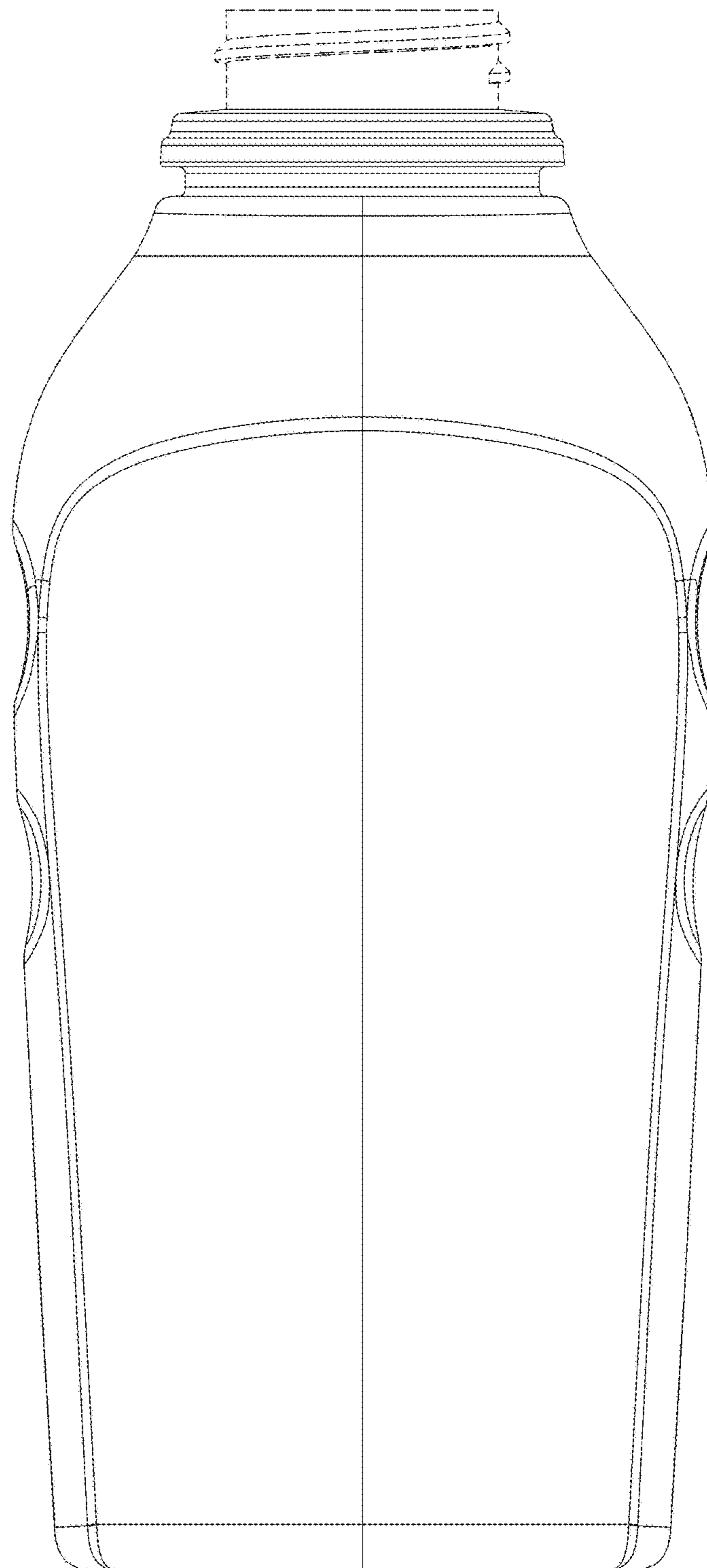


FIG. 6

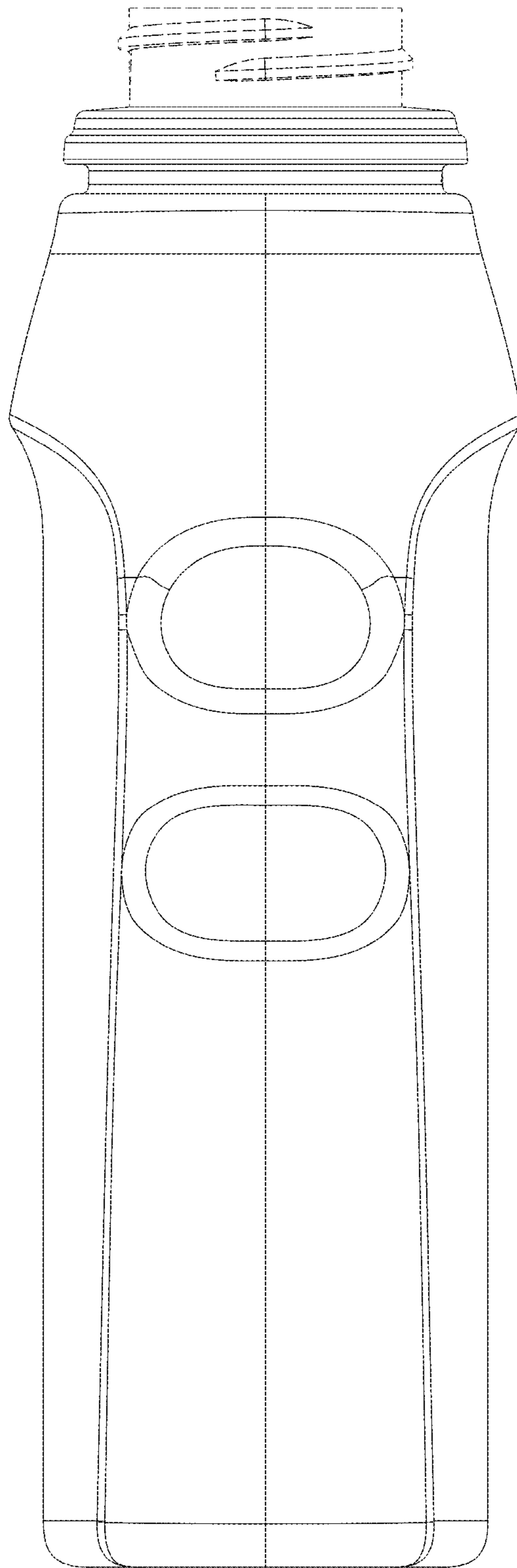




FIG. 7

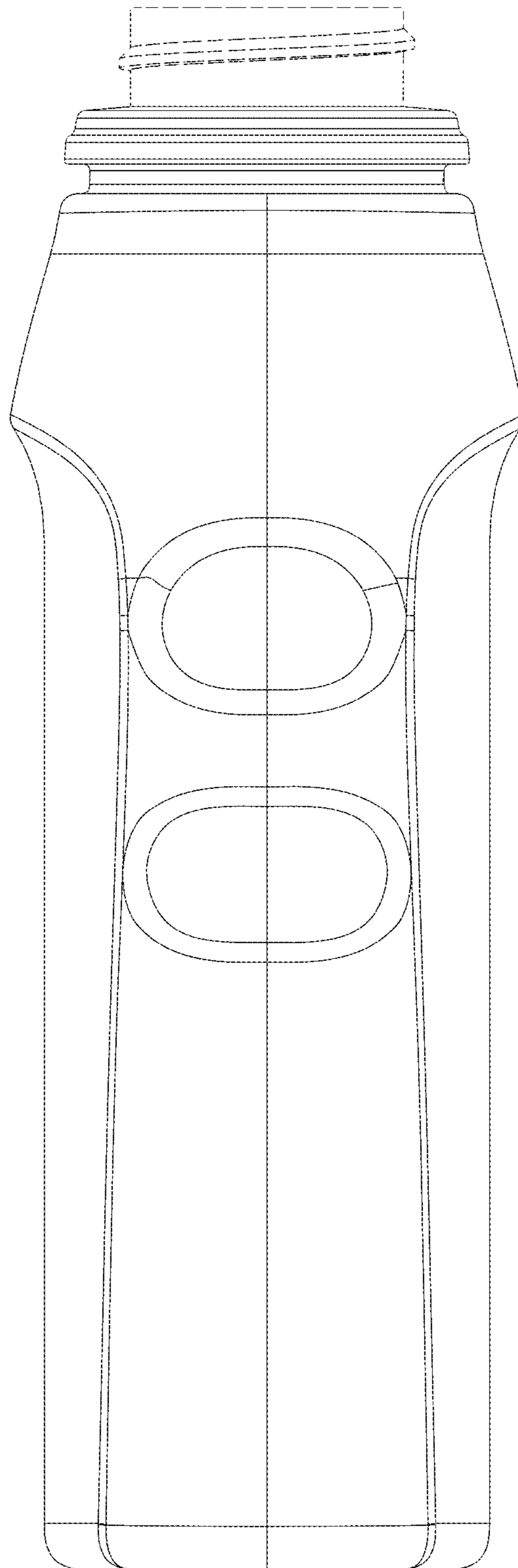


FIG. 8

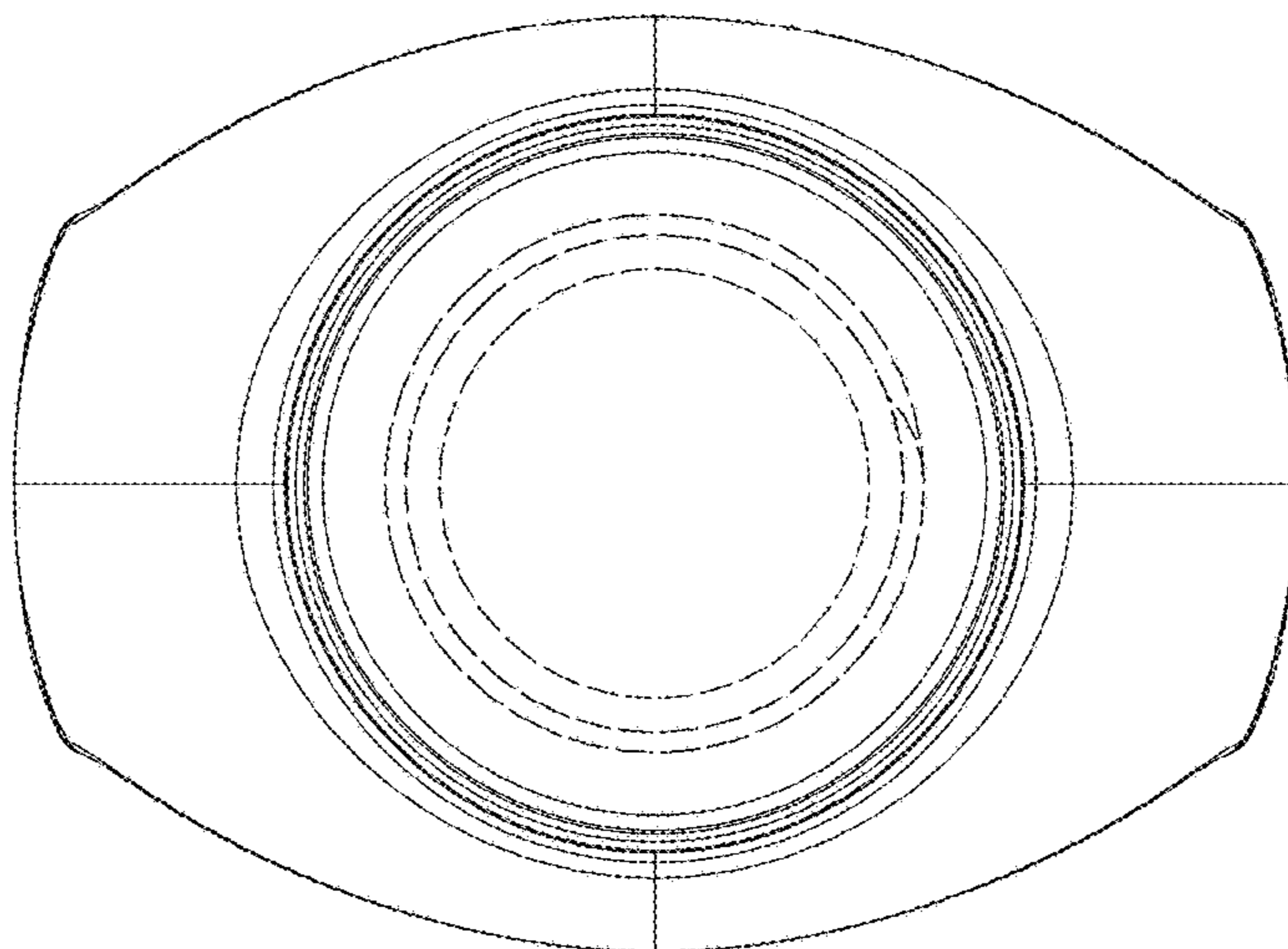


FIG. 9

