



US00D810575S

(12) **United States Design Patent**  
**Jovanovic**

(10) **Patent No.:** **US D810,575 S**

(45) **Date of Patent:** **\*\* \*Feb. 20, 2018**

(54) **BOTTLE**

(71) Applicant: **Aquawell Group AG**, Kuessnacht am Rigi (CH)

(72) Inventor: **Mischa Jovanovic**, Thawil (CH)

(73) Assignee: **Aquawell Group AG**, Kuessnacht am Rigi (CH)

(\*) Notice: This patent is subject to a terminal disclaimer.

(\*\*) Term: **15 Years**

(21) Appl. No.: **29/556,928**

(22) Filed: **Mar. 4, 2016**

(51) **LOC (11) Cl.** ..... **09-01**

(52) **U.S. Cl.**  
USPC ..... **D9/538**; D9/551

(58) **Field of Classification Search**  
USPC ..... D4/116; D6/515–516, 542–545;  
D7/300–322, 391–396.2, 509–511, 523,  
D7/589, 598, 612, 615, 619.1; D9/435,  
D9/436, 439, 440, 443, 447, 454, 500,  
D9/503–505, 516–575, 763–783;  
D24/197; D28/78, 82; 215/40–55,  
215/316–354, 370–385; 220/574–575  
CPC ..... B65D 1/00; B65D 1/02; B65D 1/0223;  
B65D 1/023; B65D 1/0276  
See application file for complete search history.

(56) **References Cited**

U.S. PATENT DOCUMENTS

D556,581 S	*	12/2007	Yamada	.....	D9/454
D561,597 S	*	2/2008	Venkataraman	.....	D9/550
D576,051 S	*	9/2008	Darr	.....	D9/552
D601,906 S	*	10/2009	Leruste	.....	D9/560
D602,783 S	*	10/2009	Lepoitevin	.....	D9/520
D624,824 S	*	10/2010	Perez	.....	D9/551

(Continued)

OTHER PUBLICATIONS

“Products—Still Water/Classic Sparkling.” saint-johns.com. Copyright 2015. Accessed May 19, 2017. Available online at URL: <http://www.saint-johns.com/products.html>.\*

(Continued)

*Primary Examiner* — Cathron C Brooks

*Assistant Examiner* — Christian P. McLean

(74) *Attorney, Agent, or Firm* — Michael J. Brown

(57) **CLAIM**

I claim the ornamental design for the bottle, as shown and described.

**DESCRIPTION**

FIG. 1 is a bottom view of the new ornamental bottle of the present invention.

FIG. 2 is a right side view thereof, the left side being a mirror image thereof.

FIG. 3 is a side perspective view thereof.

FIG. 4 is a top view thereof.

FIG. 5 is a bottom view of a bottle according to a second embodiment.

FIG. 6 is a right side view thereof, the left side being a mirror image thereof.

FIG. 7 is a side perspective view thereof.

FIG. 8 is a top view thereof.

FIG. 9 is a bottom view of a bottle according to a third embodiment.

FIG. 10 is a right side view thereof, the left side being a mirror image thereof.

FIG. 11 is a side perspective view thereof.

FIG. 12 is a top view thereof.

FIG. 13 is a bottom view of a bottle according to a fourth embodiment.

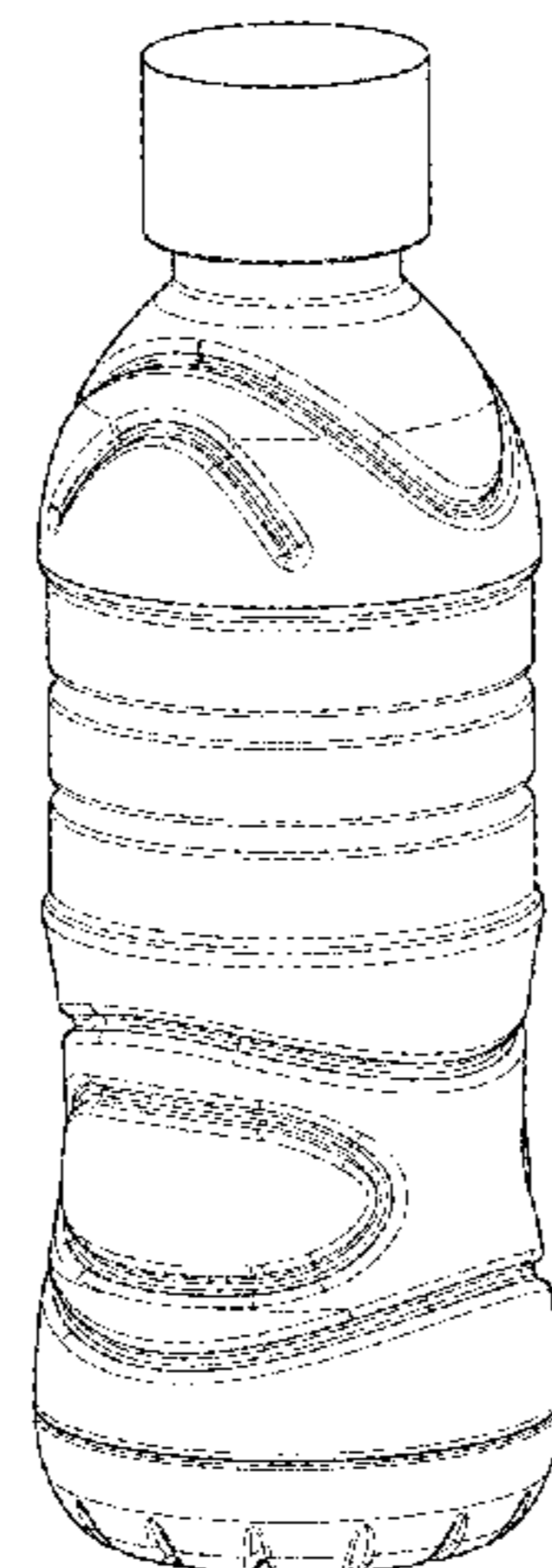
FIG. 14 is a right side view thereof, the left side being a mirror image thereof.

FIG. 15 is a side perspective view thereof; and,

FIG. 16 is a top view thereof.

The broken line showing portions of a bottle forms no part of the claimed design.

**1 Claim, 4 Drawing Sheets**



(56)

**References Cited**

## U.S. PATENT DOCUMENTS

D646,980 S \* 10/2011 Inoi ..... D9/552  
8,439,214 B2 \* 5/2013 Darr ..... B65D 1/0223  
215/375  
8,590,729 B2 \* 11/2013 Kamineni ..... B65D 1/0276  
220/608  
D698,659 S \* 2/2014 Bronstein ..... D9/551  
D699,113 S \* 2/2014 Haner ..... D9/516  
D739,758 S \* 9/2015 Kissinger ..... D9/552  
D744,841 S \* 12/2015 Llewellyn ..... D9/453  
D748,984 S \* 2/2016 Andersson ..... D9/537  
D757,556 S \* 5/2016 Lesueur ..... D9/520  
9,327,861 B2 \* 5/2016 Haner ..... B65D 1/0284  
D759,494 S \* 6/2016 Hanan ..... D9/552  
D763,090 S \* 8/2016 Zeng ..... D9/538  
D763,092 S \* 8/2016 Darr ..... D9/539  
2014/0183202 A1 \* 7/2014 Hanan ..... B65D 1/0284  
220/669  
2015/0298848 A1 \* 10/2015 Hermel ..... B65D 1/0284  
215/373  
2015/0336320 A1 \* 11/2015 Poulat ..... B65D 1/0207  
53/453  
2016/0144992 A1 \* 5/2016 Hermel ..... B65D 1/0284  
215/375  
2016/0288946 A1 \* 10/2016 Pierre ..... B65D 1/0284  
2016/0304232 A1 \* 10/2016 Suzuki ..... B65D 1/0276

## OTHER PUBLICATIONS

“Aquawell Group AG.” saint-johns.com. Nov. 16, 2015. Accessed May 19, 2017. Available online at URL: <<http://www.saint-johns.com/pdf/aquawell-group-ag-EN.pdf>>.\*

\* cited by examiner

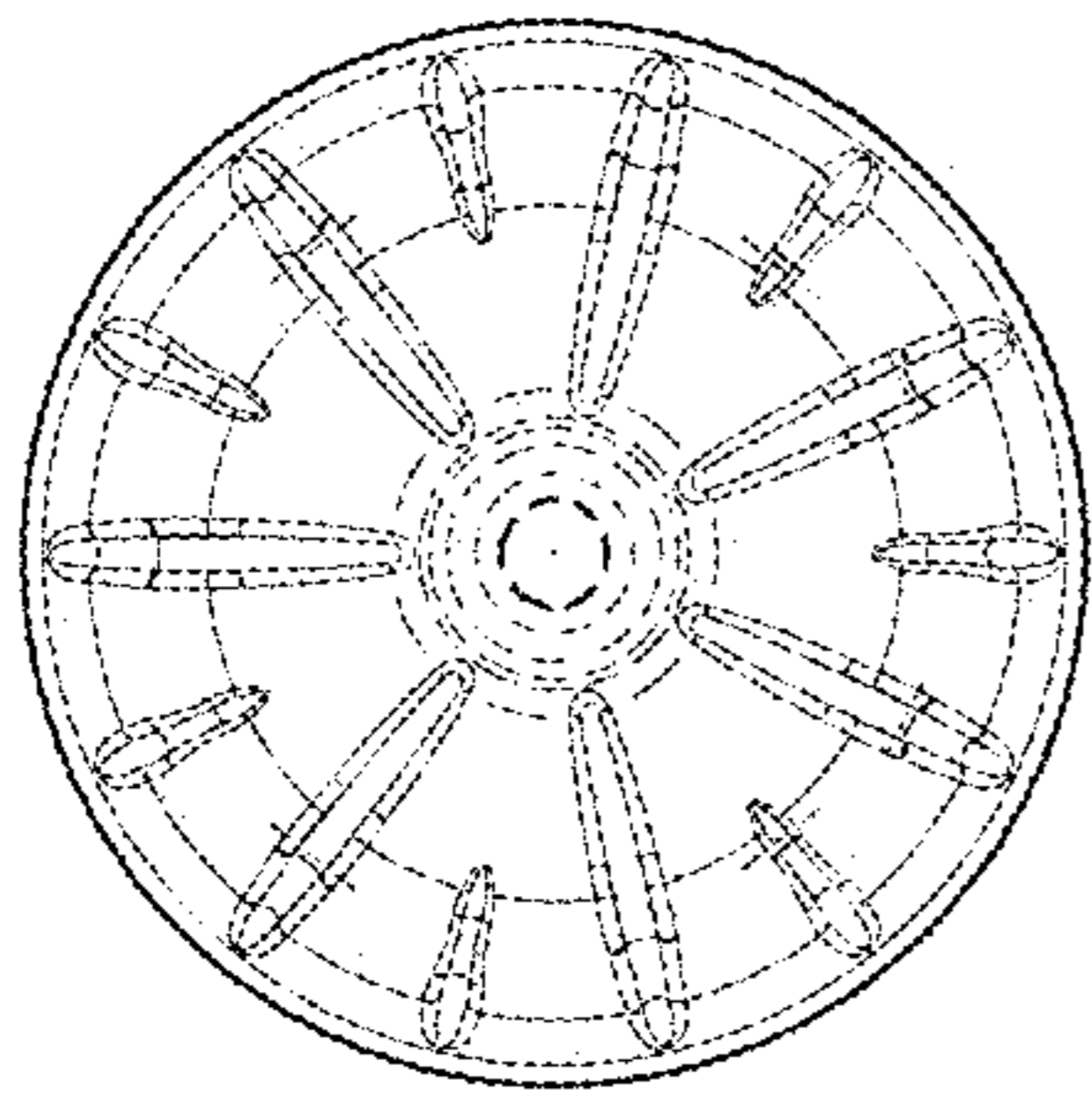


Fig. 1

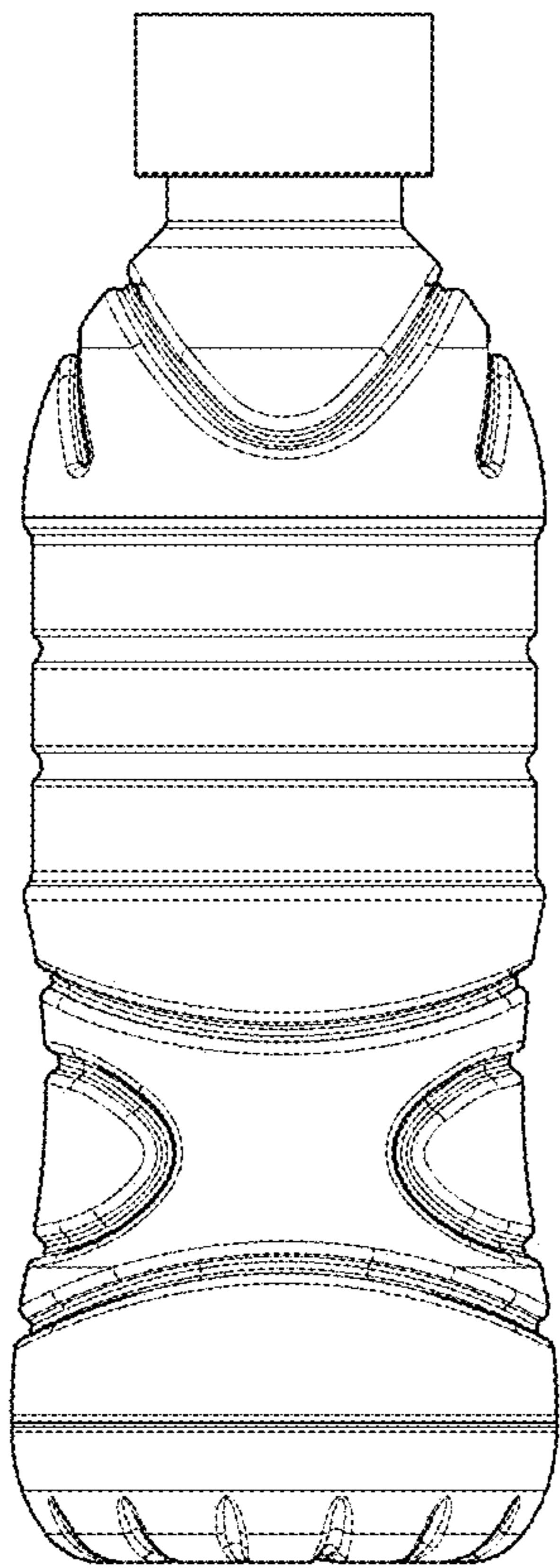


Fig. 2

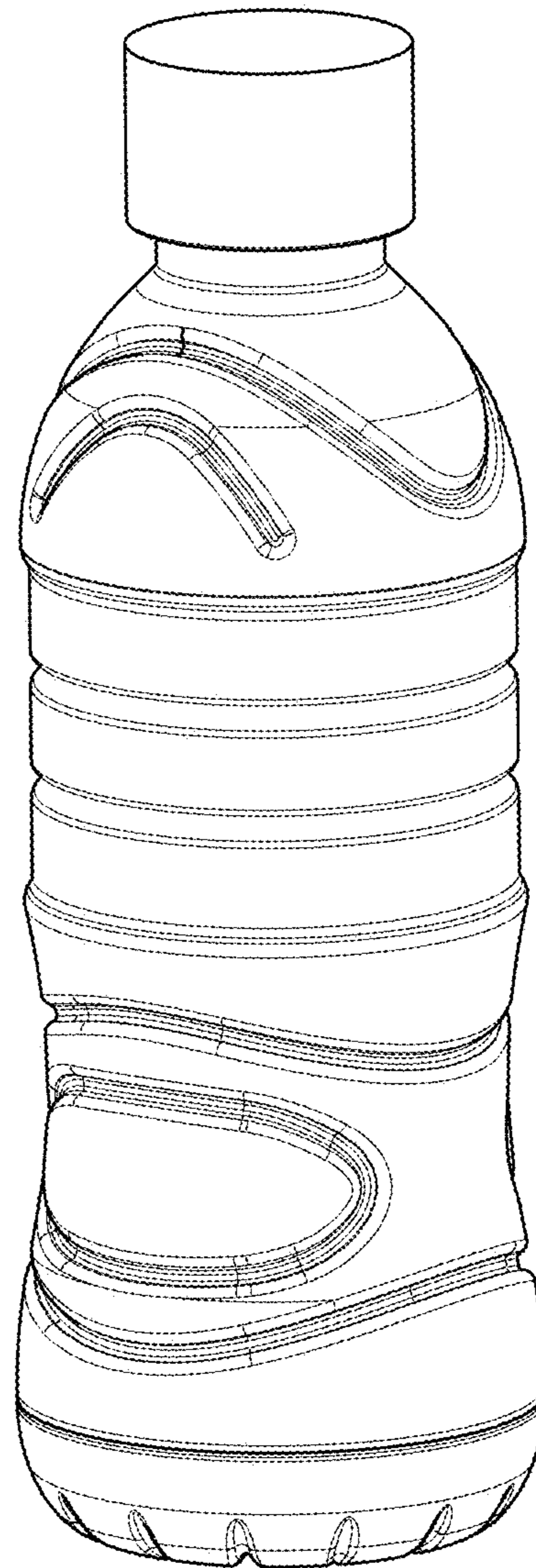


Fig. 3

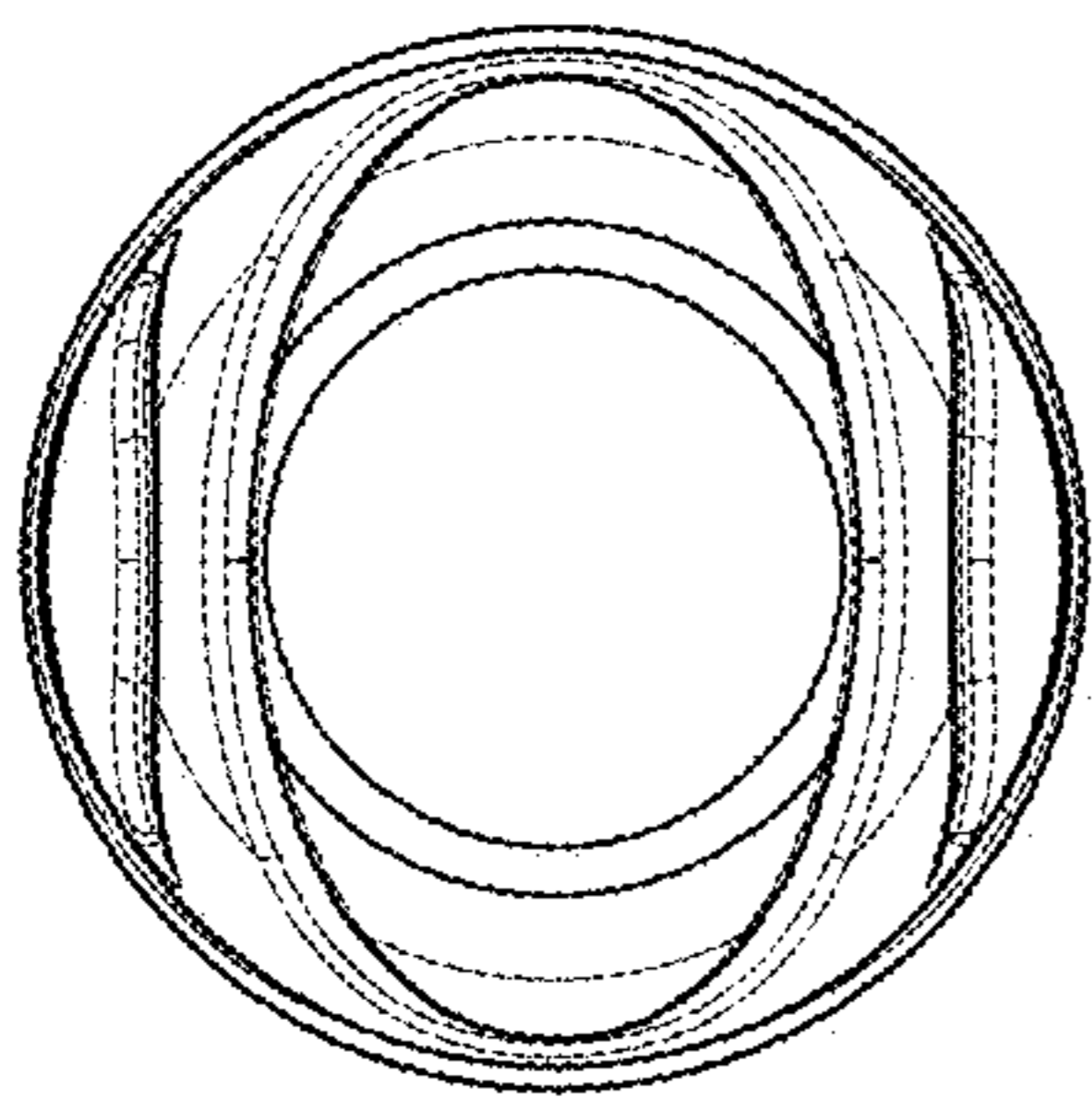


Fig. 4

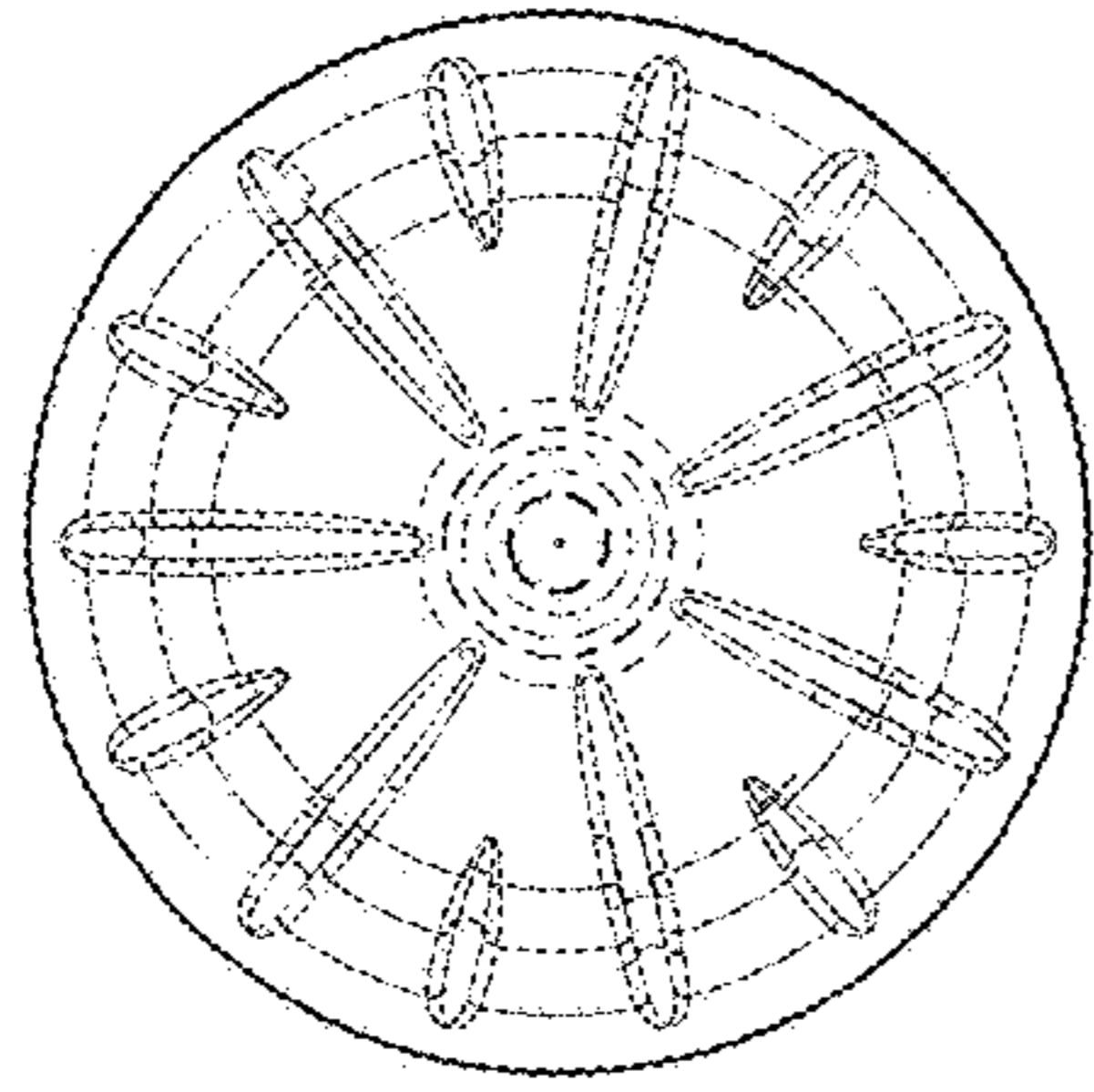


Fig. 5

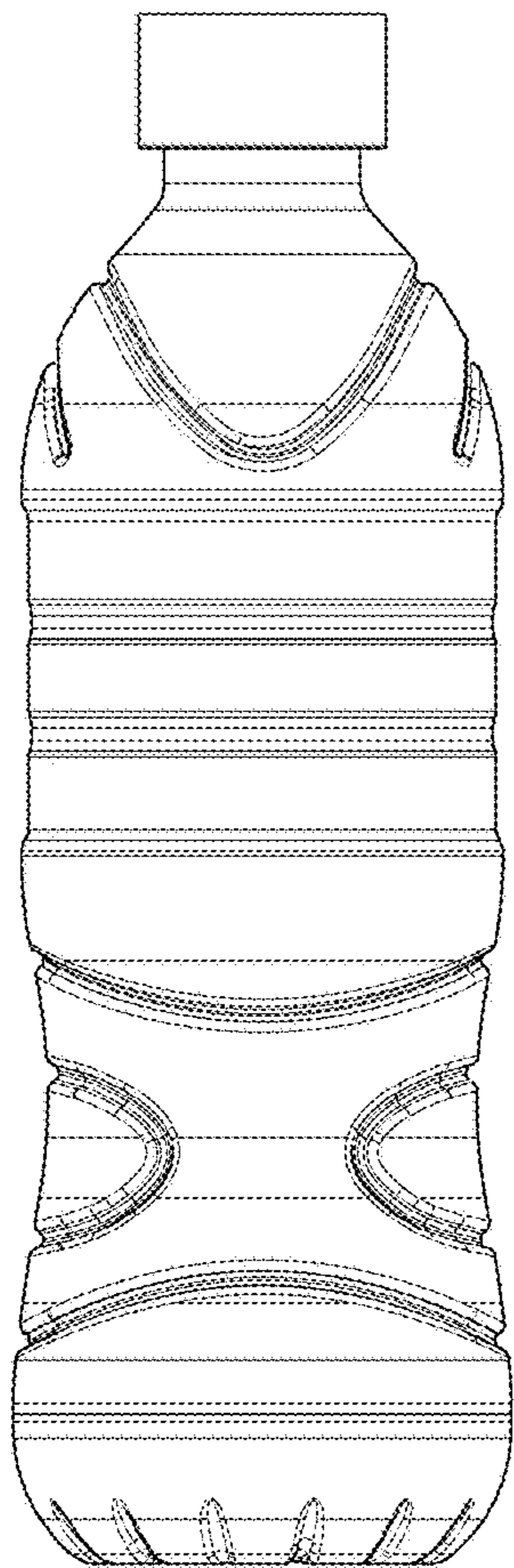


Fig. 6

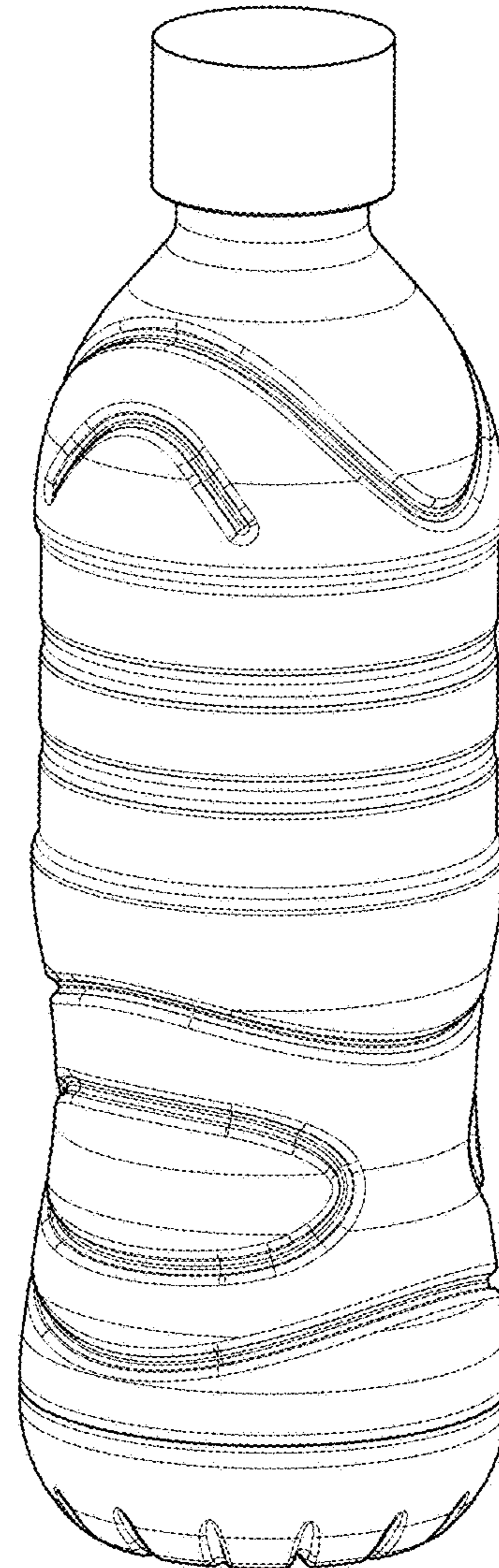


Fig. 7

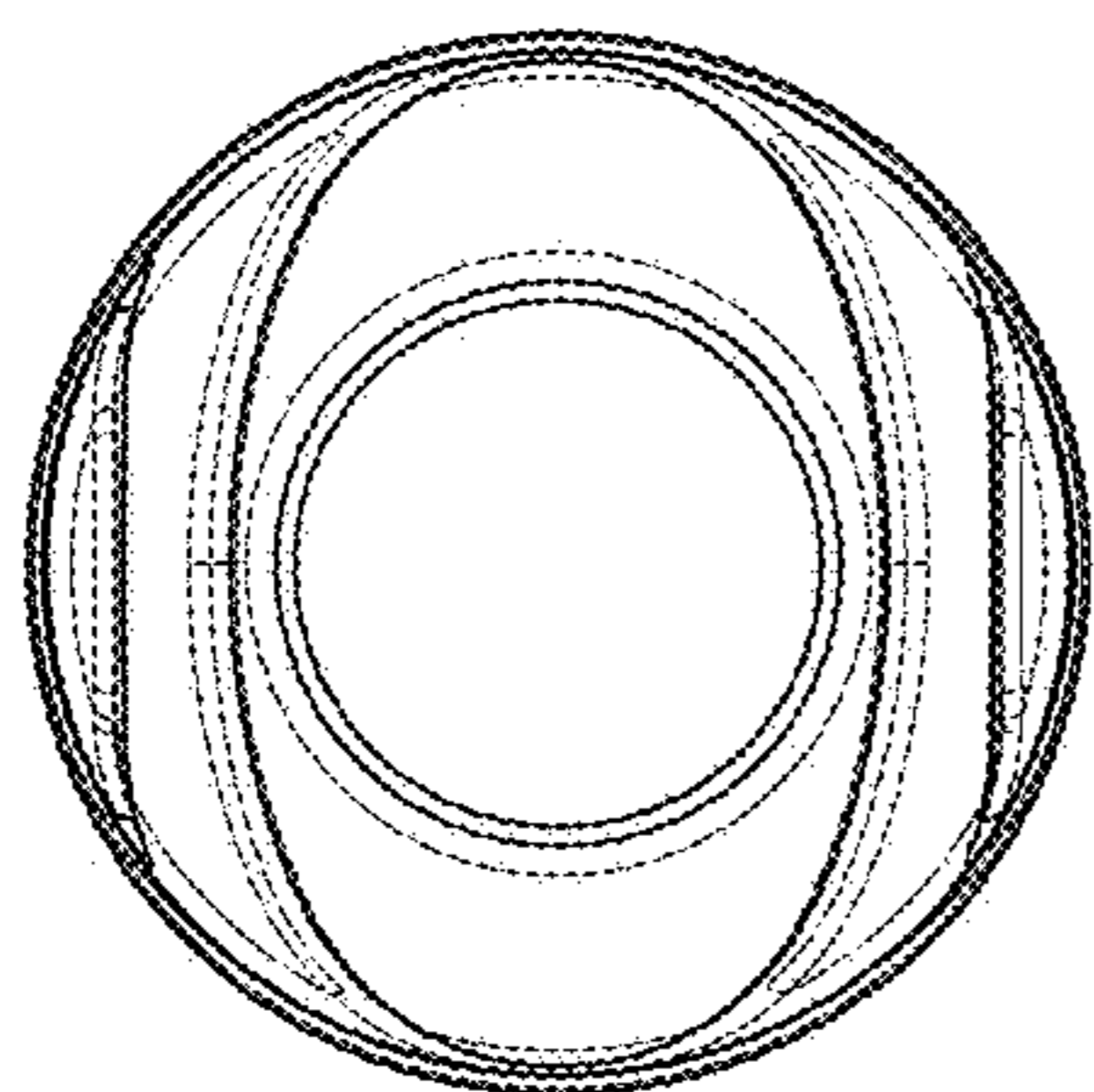


Fig. 8

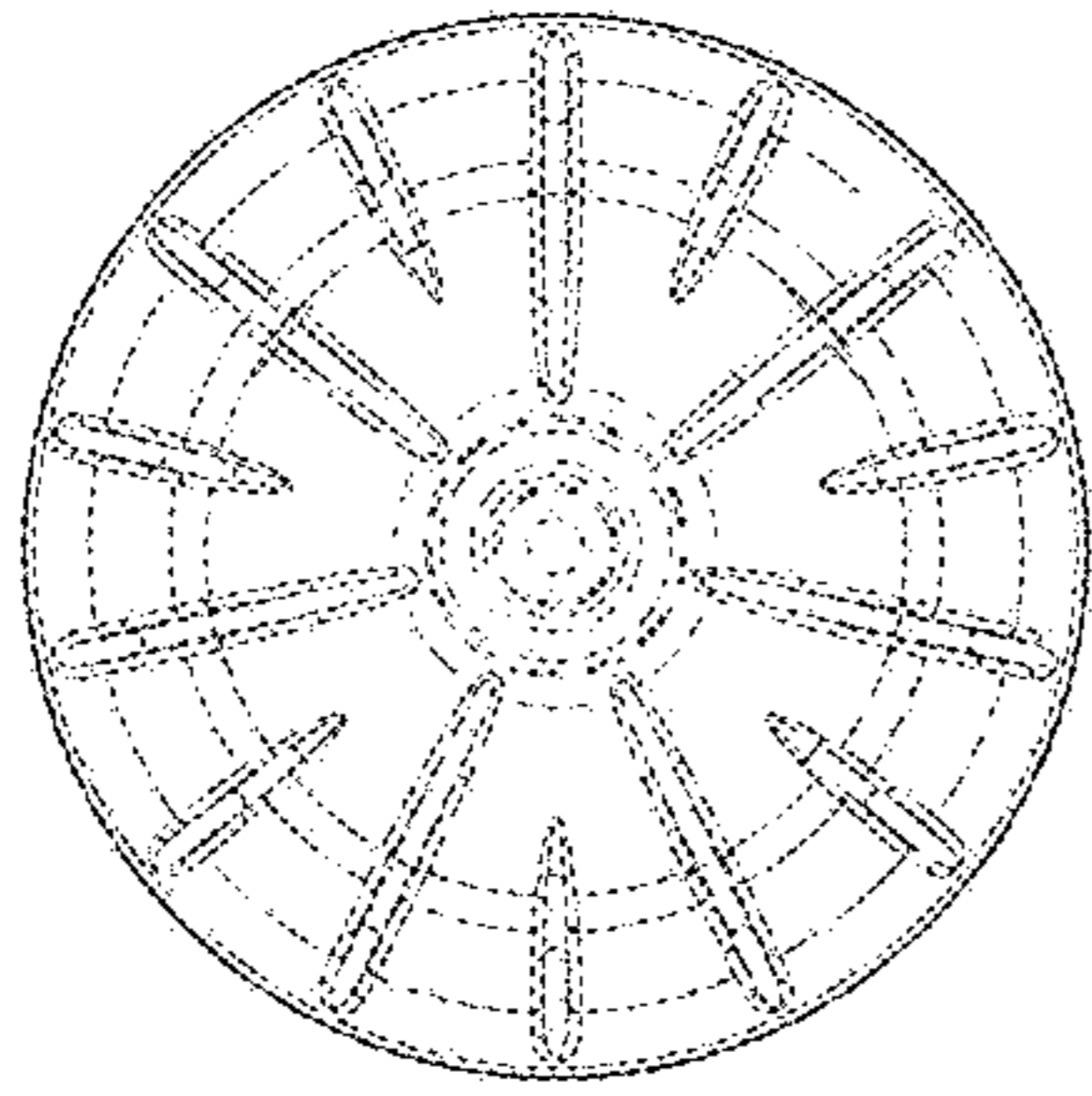


Fig. 9

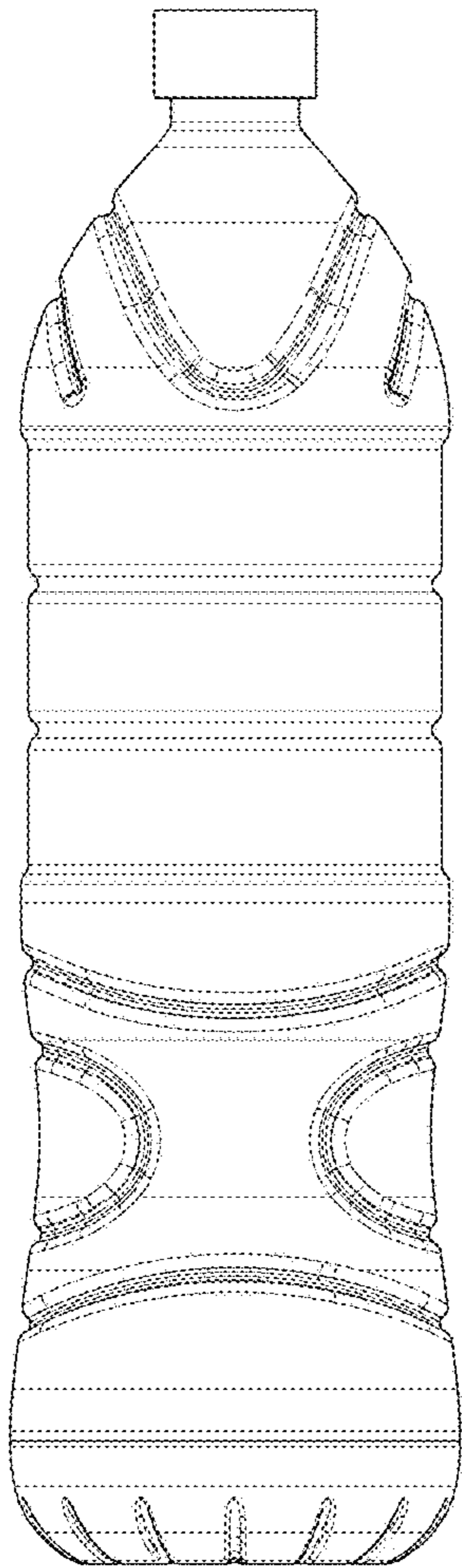


Fig. 10

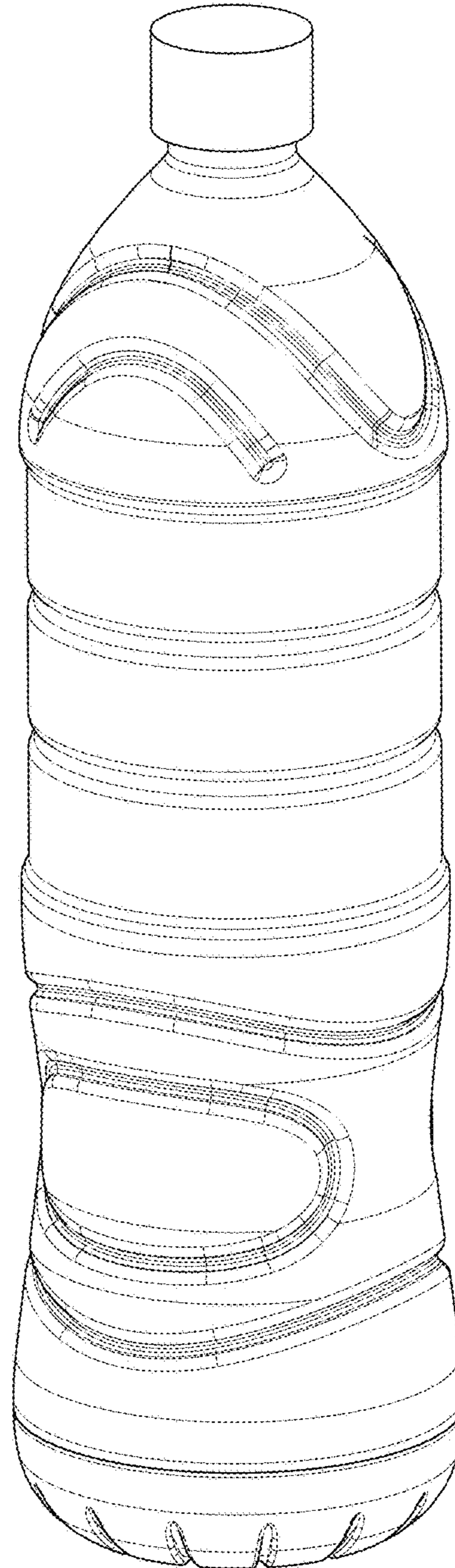


Fig. 11

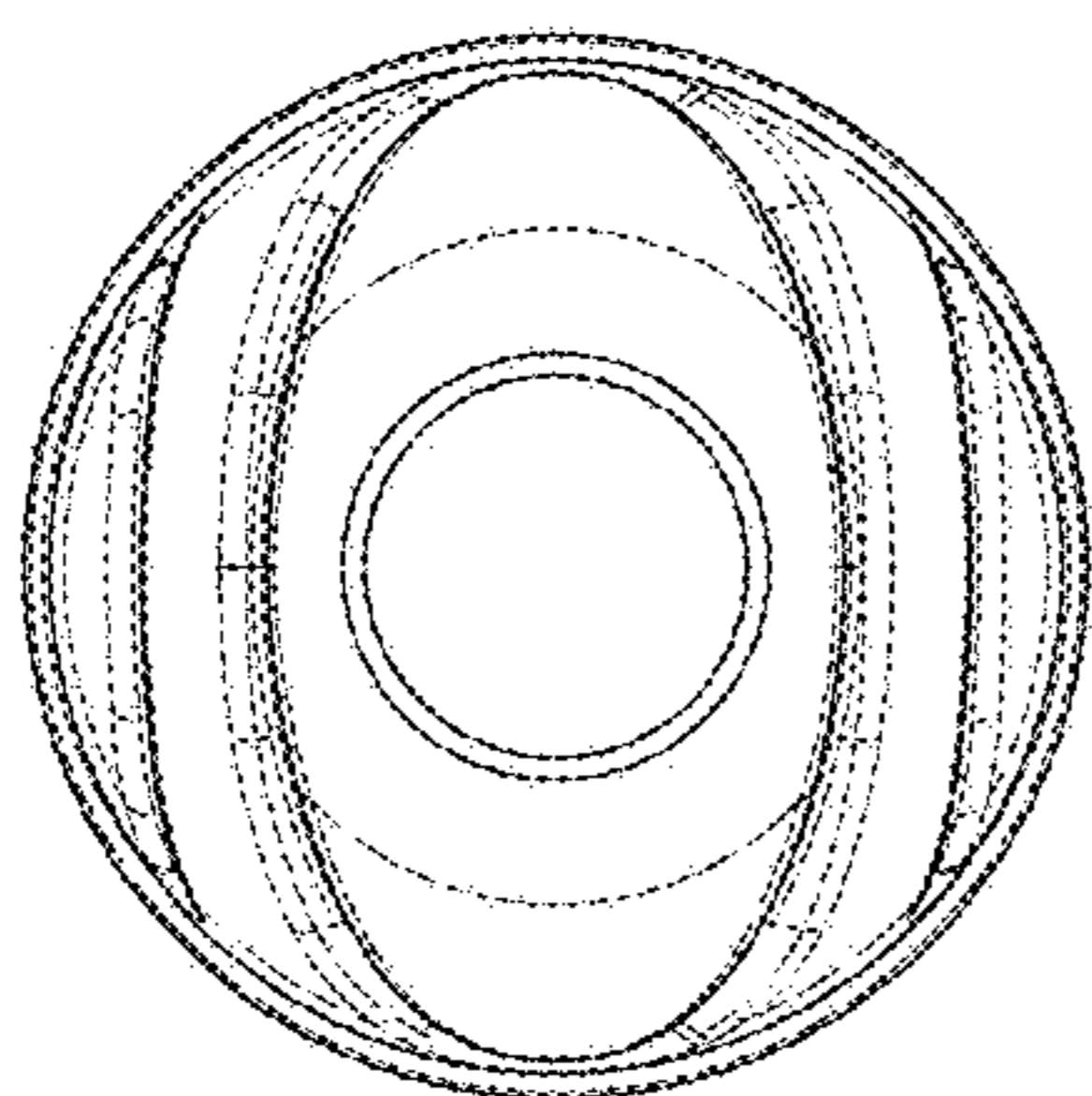


Fig. 12

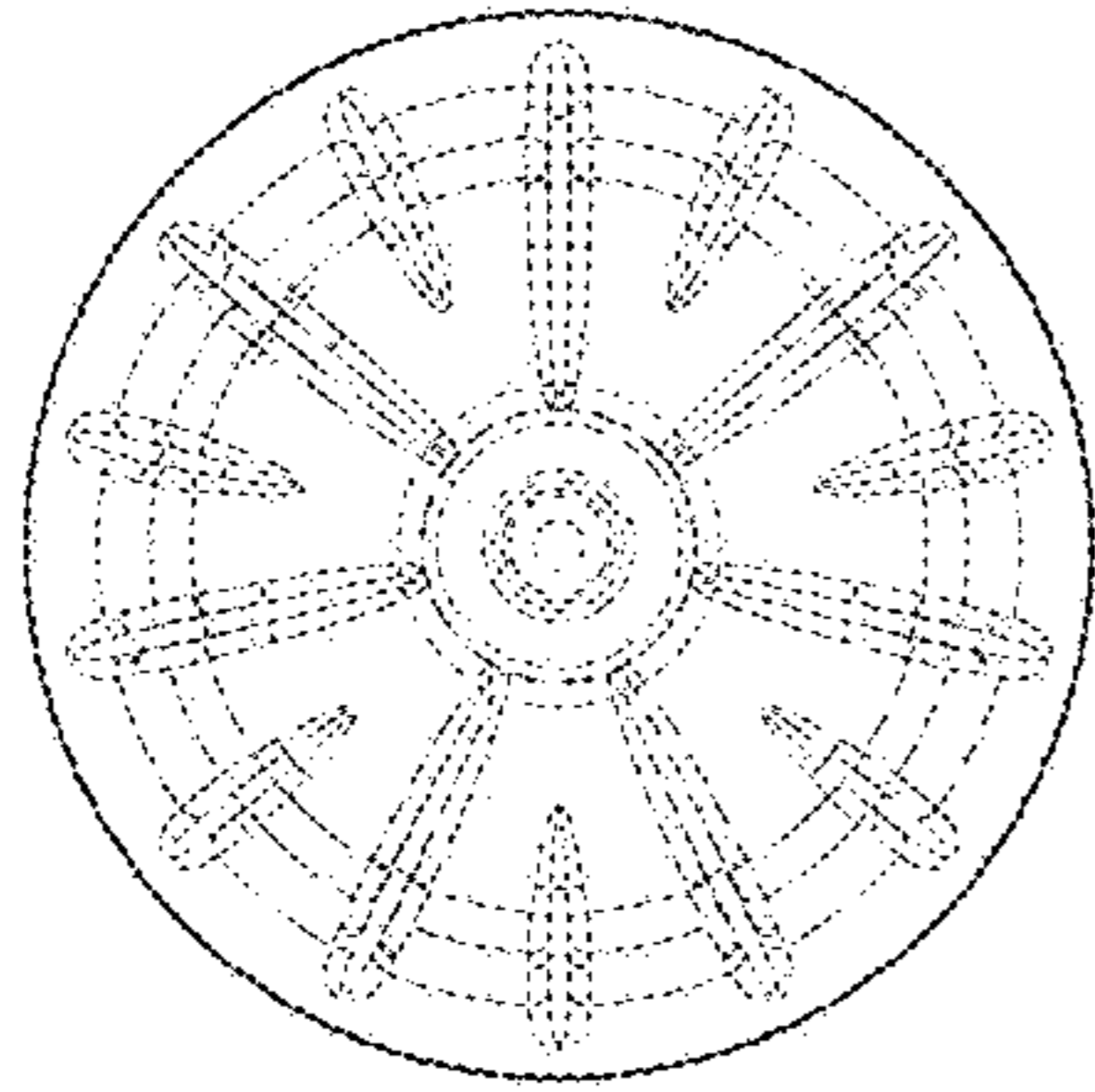


Fig. 13

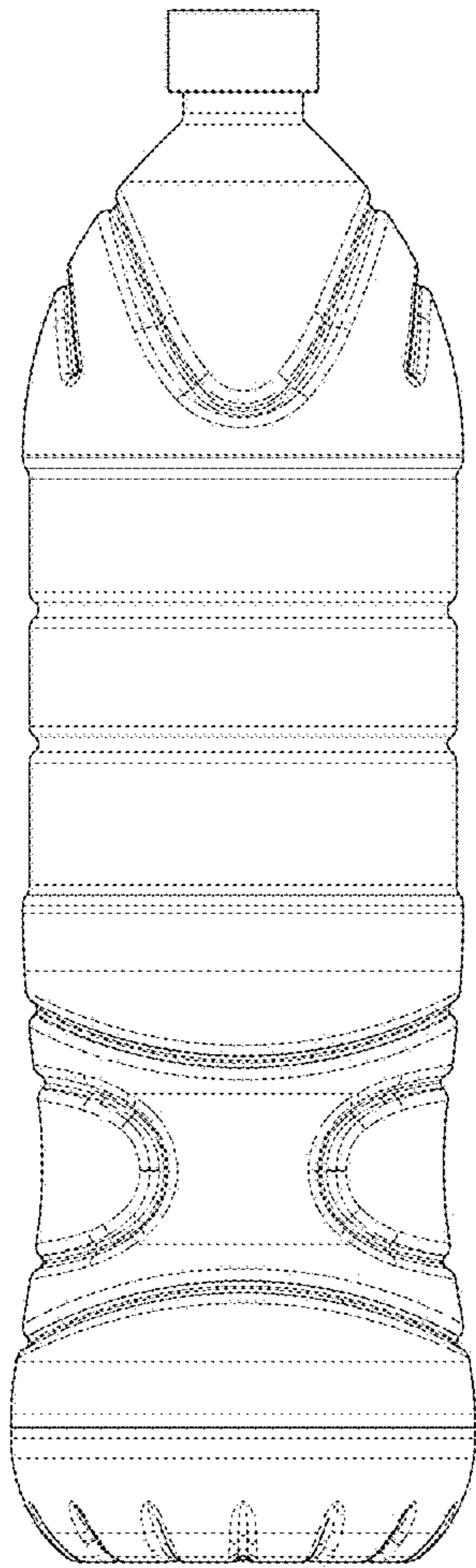


Fig. 14

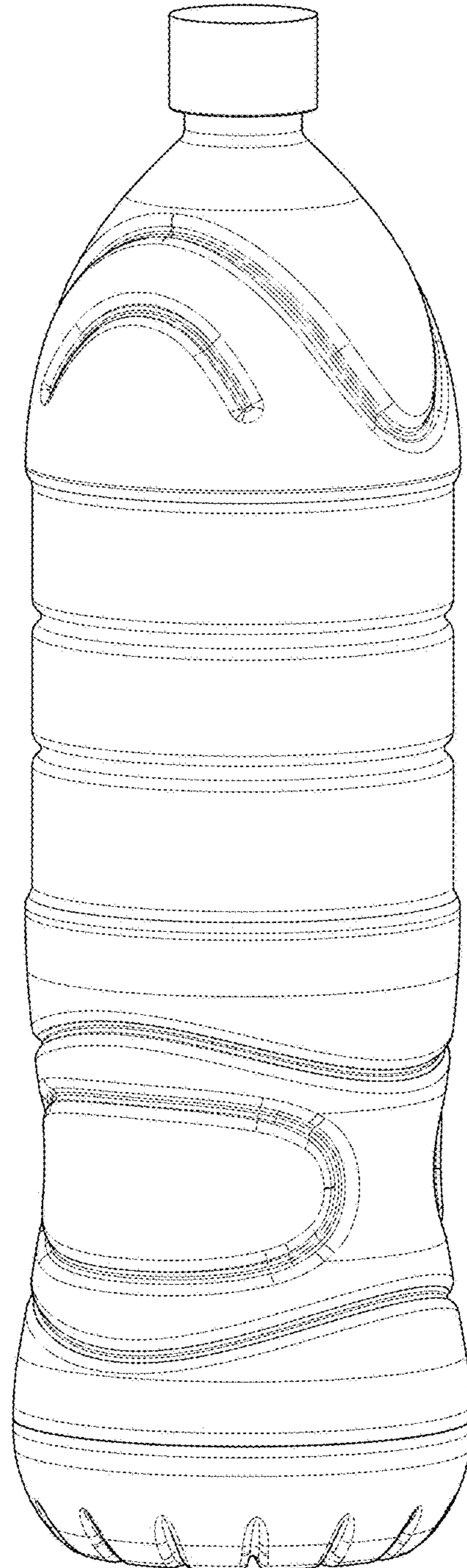


Fig. 15

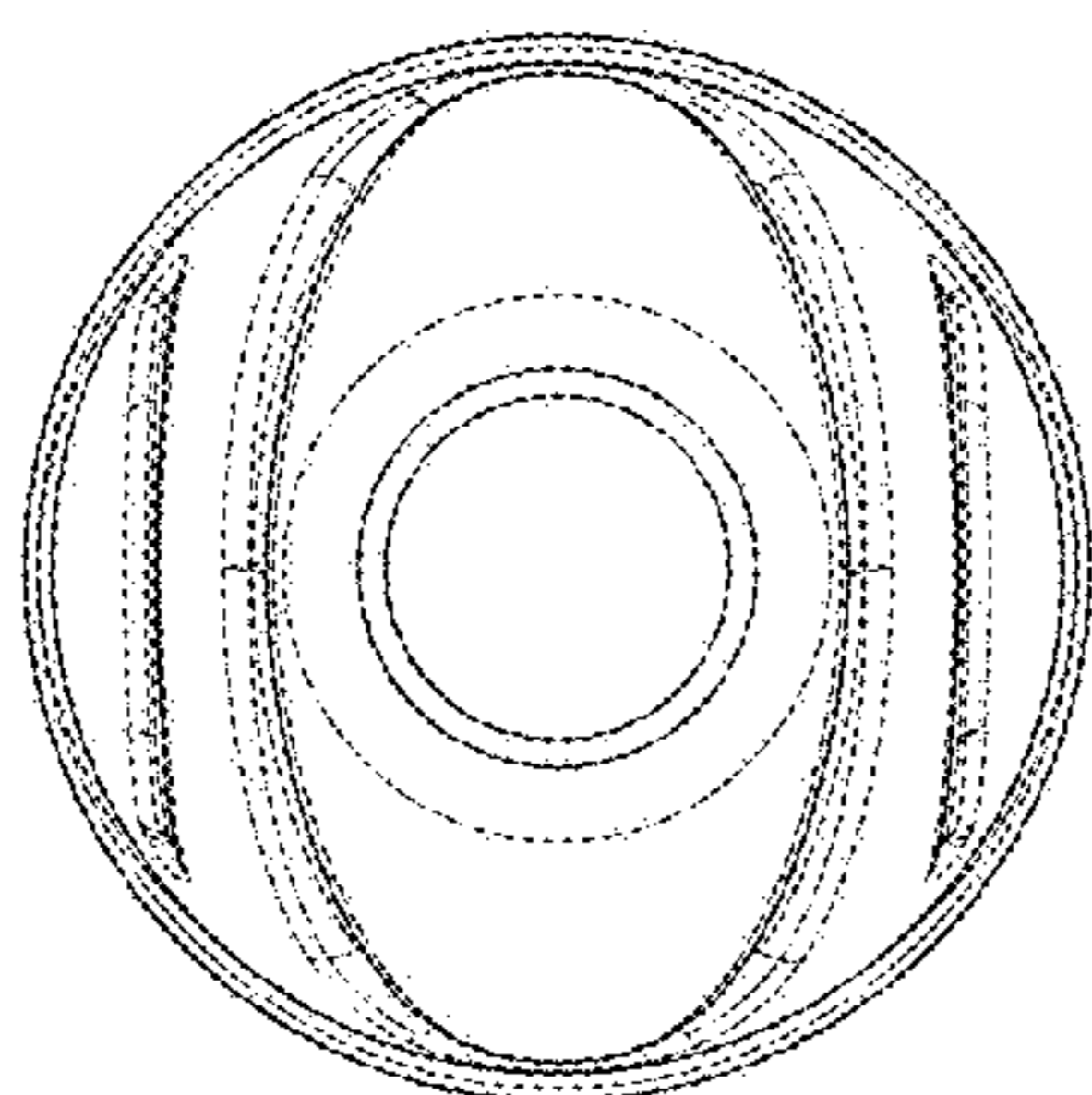


Fig. 16