



US00D810573S

(12) **United States Design Patent**
Vazin

(10) **Patent No.:** **US D810,573 S**
(45) **Date of Patent:** **** Feb. 20, 2018**

(54) **FIVE GALLON BOTTLE WITH HANDLE**

FOREIGN PATENT DOCUMENTS

(71) Applicant: **AMERICAN MADE PLASTIC INC.**,
Riverside, CA (US)

EM 001302202-0001 * 12/2011
GB 5000130 * 11/2015

(Continued)

(72) Inventor: **Moe Vazin**, Riverside, CA (US)

Primary Examiner — Catherine Tuttle

(73) Assignee: **American Made Plastic, Inc.**,
Riverside, CA (US)

Assistant Examiner — Mary Malley

(74) *Attorney, Agent, or Firm* — Smyrski Law Group, A
P.C.

(**) Term: **15 Years**

(21) Appl. No.: **29/555,450**

(57) **CLAIM**

(22) Filed: **Feb. 22, 2016**

The ornamental design for a five gallon bottle with handle,
as shown and described.

(51) **LOC (11) Cl.** **09-01**

(52) **U.S. Cl.**

USPC **D9/531; D9/560; D9/575**

(58) **Field of Classification Search**

DESCRIPTION

USPC D9/435-436, 438, 439, 442, 446-447,
D9/449, 500-505, 509-511, 513, 516,
D9/520-523, 526-531, 533, 536-545,
D9/549-551, 552, 554, 556-560, 565,
D9/567, 569, 570-575, 600-602,
D9/655-664, 682, 686, 688-692, 695,
D9/699, 723-729, 745-746, 774, 776;
D7/300, 300.1, 540, 601-602; D11/143,
D11/152, 153; 206/494, 457, 527;
215/373, 379, 381-385, 370-371, 400,
215/10, 396, 398; 220/660, 662,
220/669-673, 675, 890; 229/116.1
CPC B65D 2501/00; B65D 2501/0009; B65D
2501/0018; B65D 23/00; B65D 23/10;
B65D 23/102; B65D 25/28; B65D
25/2882; B65D 25/2885; B65D 25/2897;
B65D

FIG. 1 is a top perspective view showing the top, front, and
right sides of a five gallon bottle with handle;
FIG. 2 is a bottom perspective view showing the bottom,
rear, and left sides of the five gallon bottle with handle;
FIG. 3 is a right side elevation view of the five gallon bottle
with handle;
FIG. 4 is a left side elevation view of the five gallon bottle
with handle;
FIG. 5 is a front elevation view of the five gallon bottle with
handle;
FIG. 6 is a rear elevation view of the five gallon bottle with
handle;
FIG. 7 is a top plan view of the five gallon bottle with
handle; and,
FIG. 8 is a bottom plan view of the five gallon bottle with
handle.

(Continued)

The continually spaced broken line portions are included to
show unclaimed subject matter only and form no part of the
claimed design. Randomly spaced broken line portions are
included to show contours in the claimed design. The
circular dashed lines shown on the bottom surface represent
a portion of the three gallon bottle with handle that forms no
part of the claimed design.

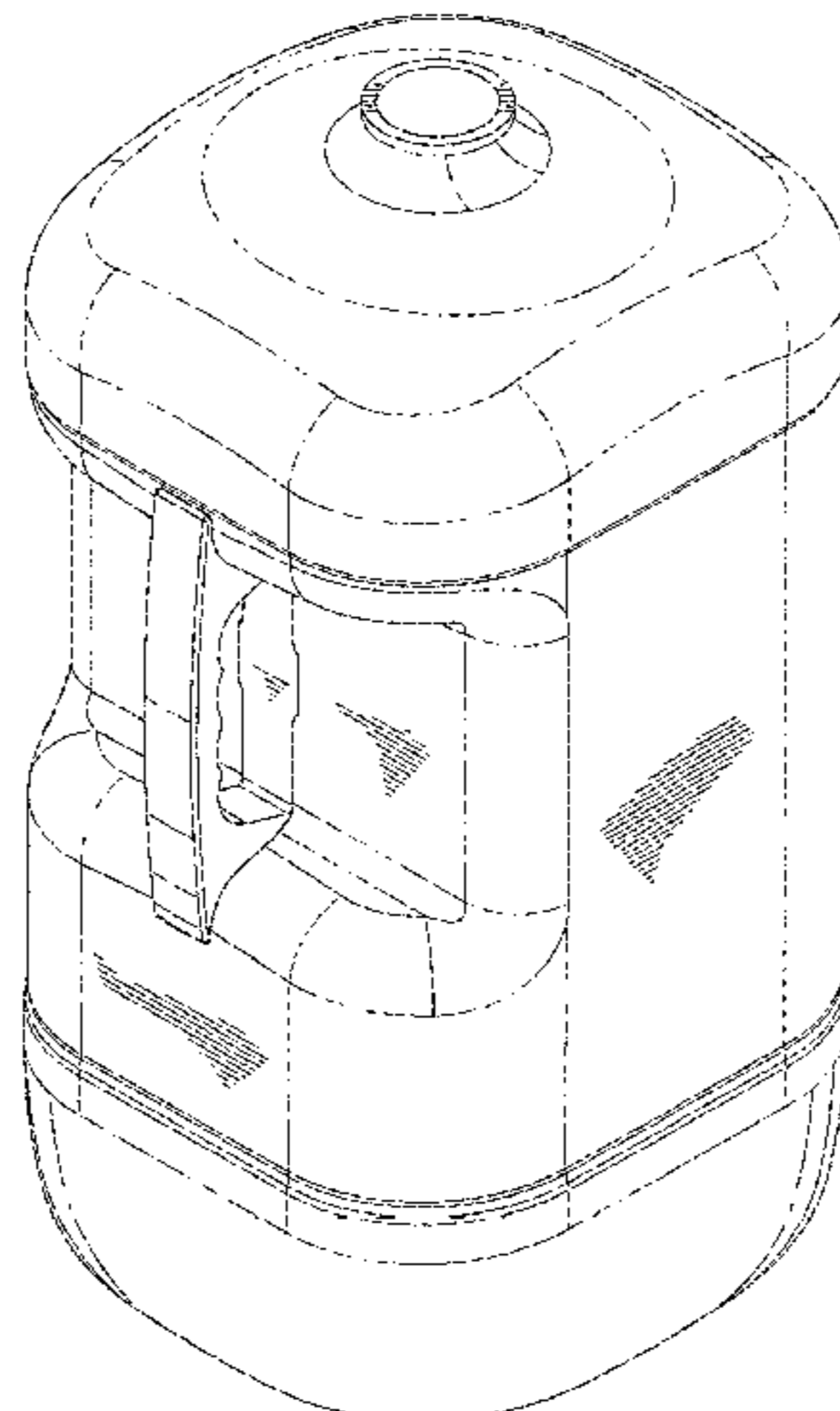
(56) **References Cited**

U.S. PATENT DOCUMENTS

D190,773 S * 6/1961 Koch D12/218
D206,407 S * 12/1966 Sharp D9/531

(Continued)

1 Claim, 7 Drawing Sheets



(58) **Field of Classification Search**

CPC 1/0261; B65D 2203/02; B65D 1/44; B65D 2501/0027; B65D 2501/0081; B65D 1/0246; B65D 1/0223; B65D 1/32; B65D 1/40; B65D 47/0804; B65D 47/0809; B65D 47/0814; A45D 33/00; A45D 33/003; A45D 33/006; A45D 33/02; A45D 33/025; A45D 33/18; A45D 33/22; A45D 34/00; A45D 34/02; A45D 2034/007; A45D 40/40; A45D 40/0068; A45D 40/0075; A45D 2040/12; A45D 2200/05; A45D 2200/051; A45D 2200/052; A45D 2200/053

See application file for complete search history.

(56) **References Cited**

U.S. PATENT DOCUMENTS

D224,639 S * 8/1972 Schieser D9/527
 D277,552 S * 2/1985 Kung D9/524
 D282,527 S * 2/1986 Larson D9/520
 4,805,793 A 2/1989 Brandt et al.
 4,969,922 A * 11/1990 Platte, Sr. B65D 1/0223
 215/383
 D342,176 S * 12/1993 Steiner D6/545
 D360,830 S * 8/1995 Hestehave D9/520
 D407,020 S 3/1999 Doty
 D408,738 S 4/1999 Wu
 5,927,499 A 7/1999 Vesborg
 D452,956 S * 1/2002 Hari D9/527
 D466,413 S 12/2002 Justice
 6,588,612 B1 7/2003 Dorn et al.

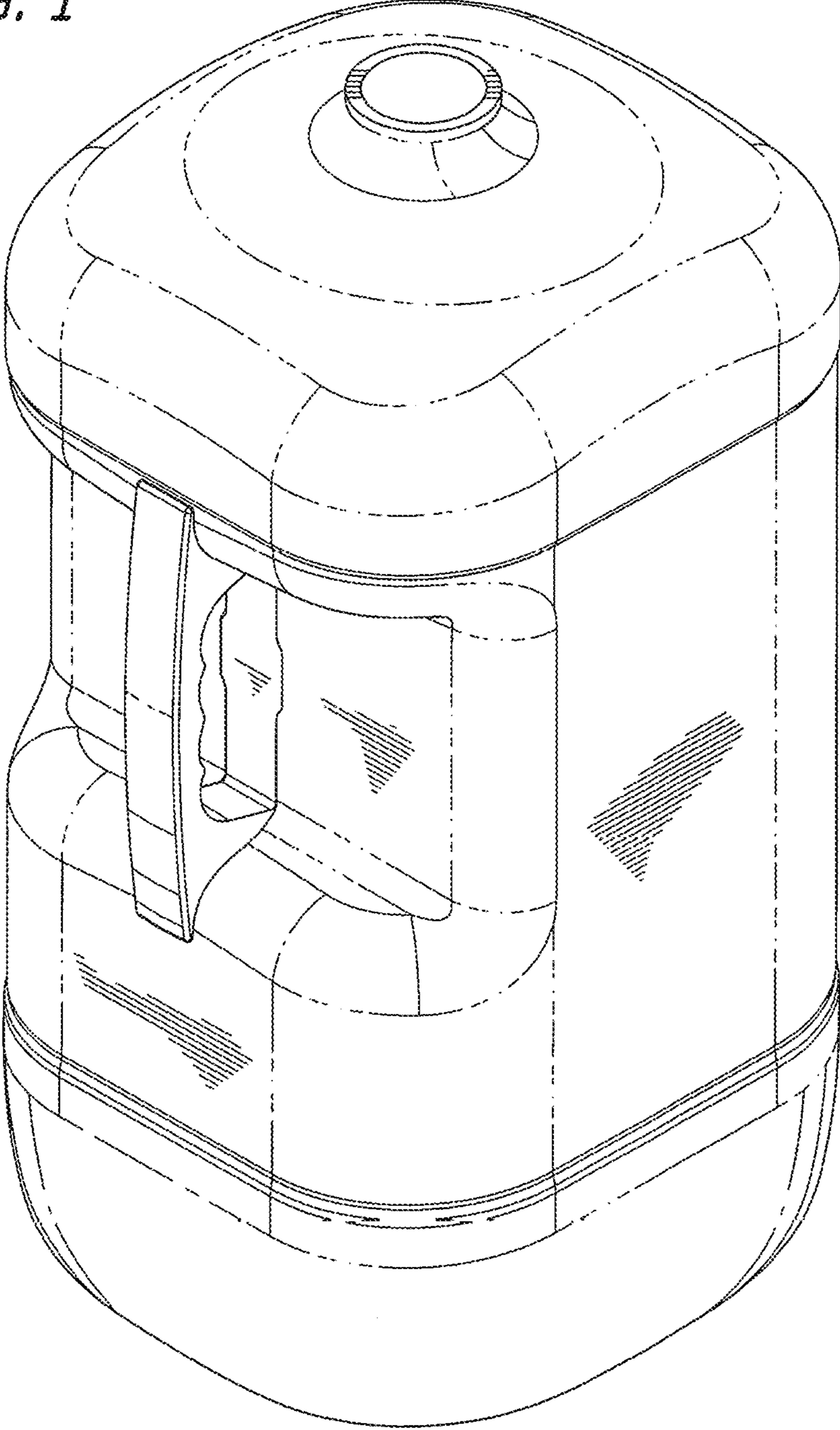
D485,189 S * 1/2004 Montalbano D9/528
 D504,824 S * 5/2005 Darr B65D 1/18
 D9/528
 D505,076 S * 5/2005 Logan D9/528
 D512,320 S * 12/2005 Haley D9/531
 D515,940 S 2/2006 Kratko
 D527,639 S * 9/2006 Voss B65D 1/18
 D9/528
 D528,425 S * 9/2006 Van Dorin D9/524
 D532,694 S 11/2006 Darr et al.
 D559,111 S * 1/2008 Reimann D9/531
 D581,271 S 11/2008 Laupie
 7,699,171 B2 4/2010 Rivera et al.
 8,047,392 B2 11/2011 Eiten et al.
 D672,657 S 12/2012 Hall
 D690,203 S 9/2013 Hall et al.
 8,746,453 B1 6/2014 Hall et al.
 D764,295 S * 8/2016 Gieske D9/527
 D769,123 S * 10/2016 Hegarty D9/527
 2005/0236414 A1 * 10/2005 Darr B65D 1/18
 220/608
 2006/0000740 A1 1/2006 Sigur
 2006/0037930 A1 * 2/2006 Darr B65D 1/0223
 215/396
 2009/0266782 A1 10/2009 Lane
 2013/0213846 A1 8/2013 Hendrickson et al.
 2014/0263383 A1 * 9/2014 Gieske B65D 25/2894
 220/771

FOREIGN PATENT DOCUMENTS

GB 4042850 * 12/2015
 RU 00097918 * 4/2016

* cited by examiner

FIG. 1



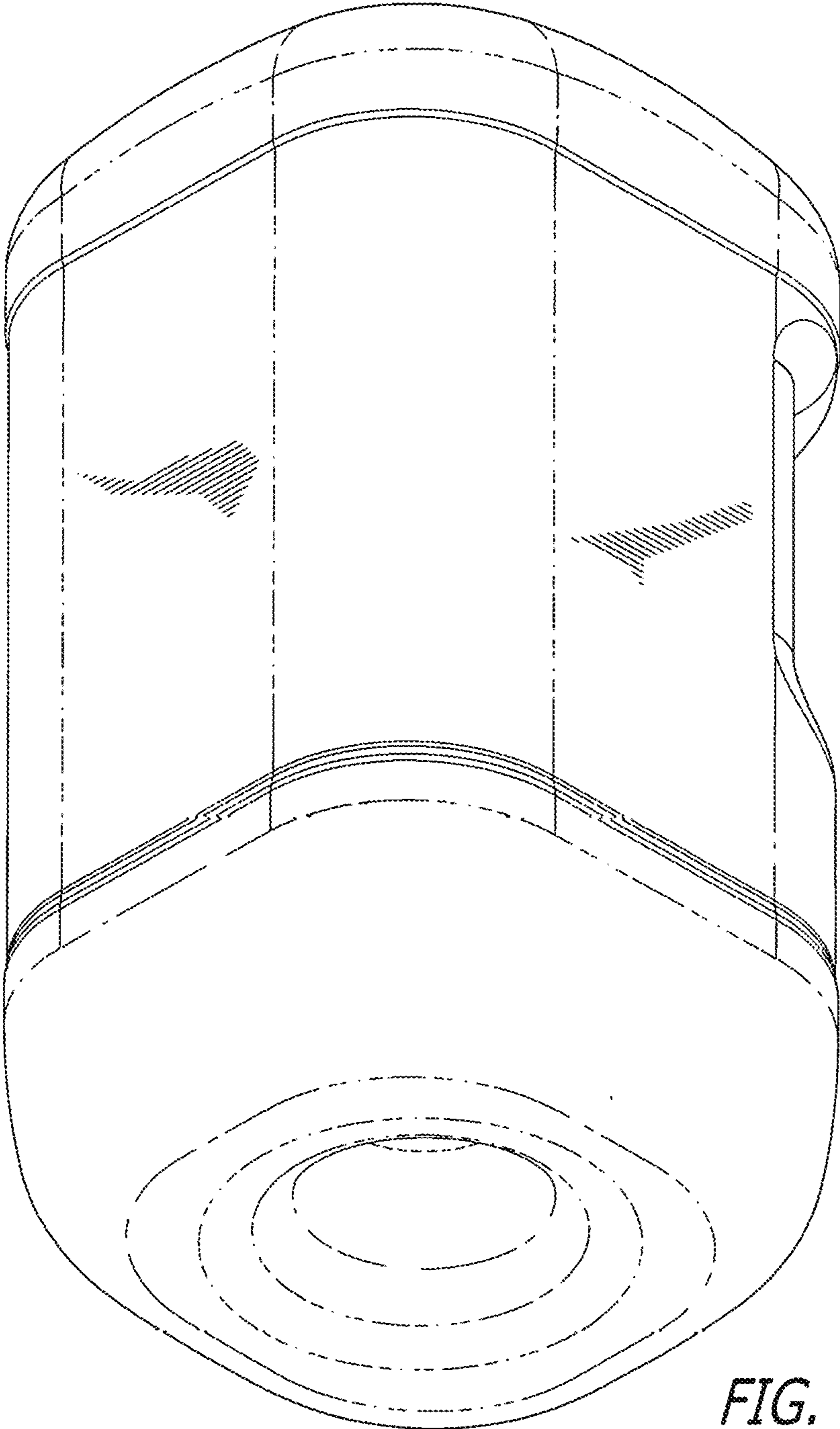


FIG. 2

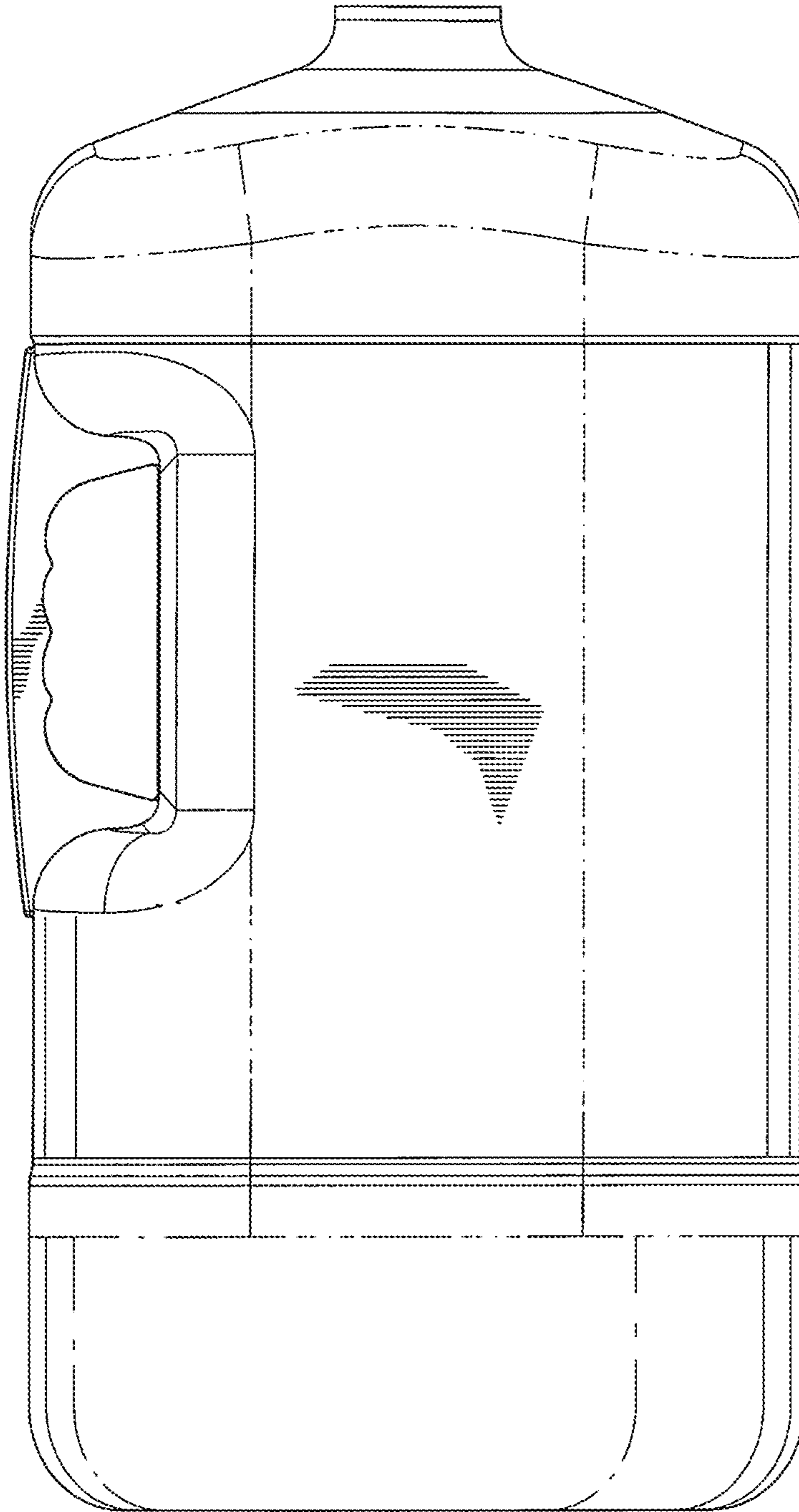


FIG. 3

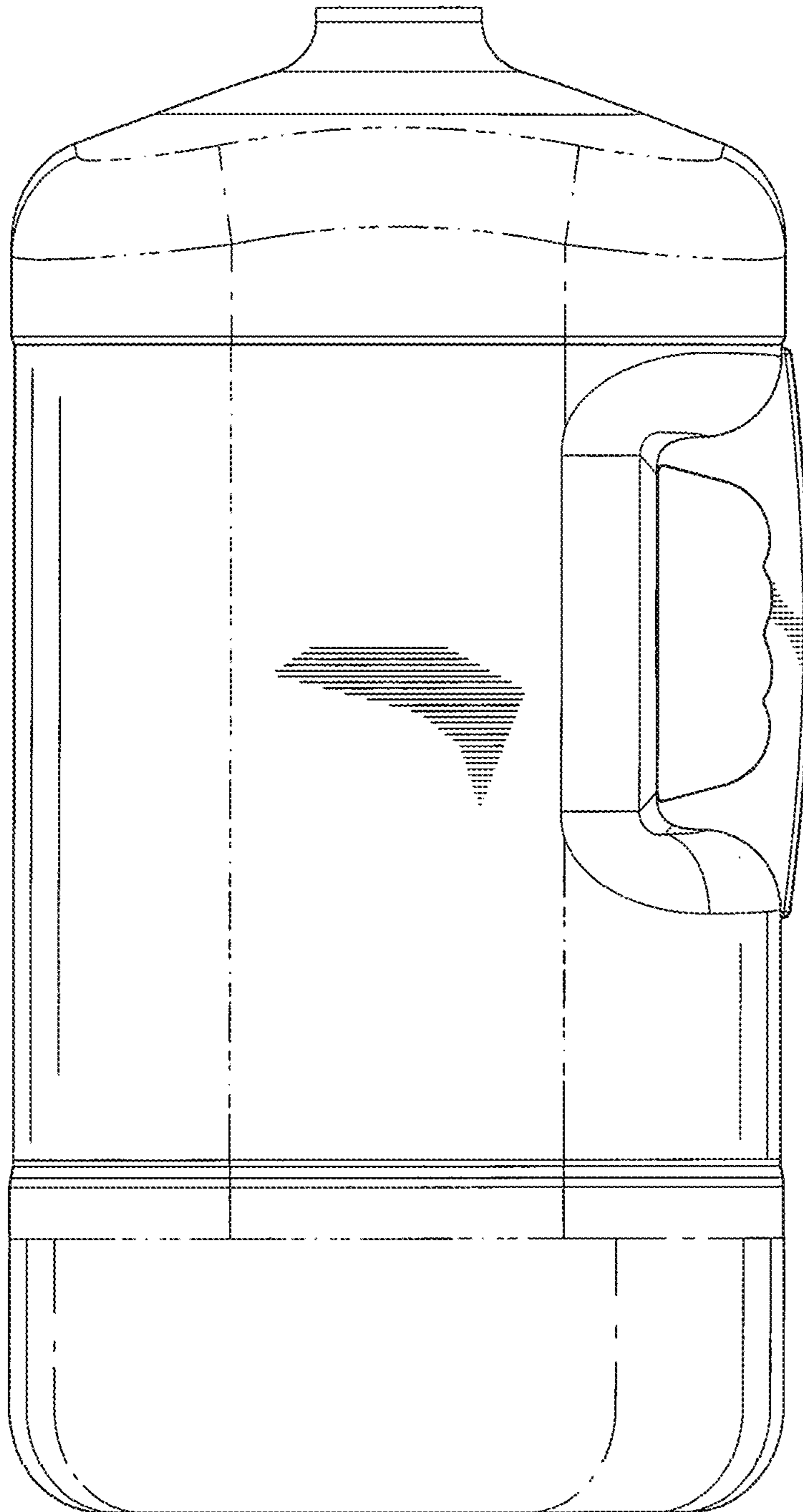


FIG. 4

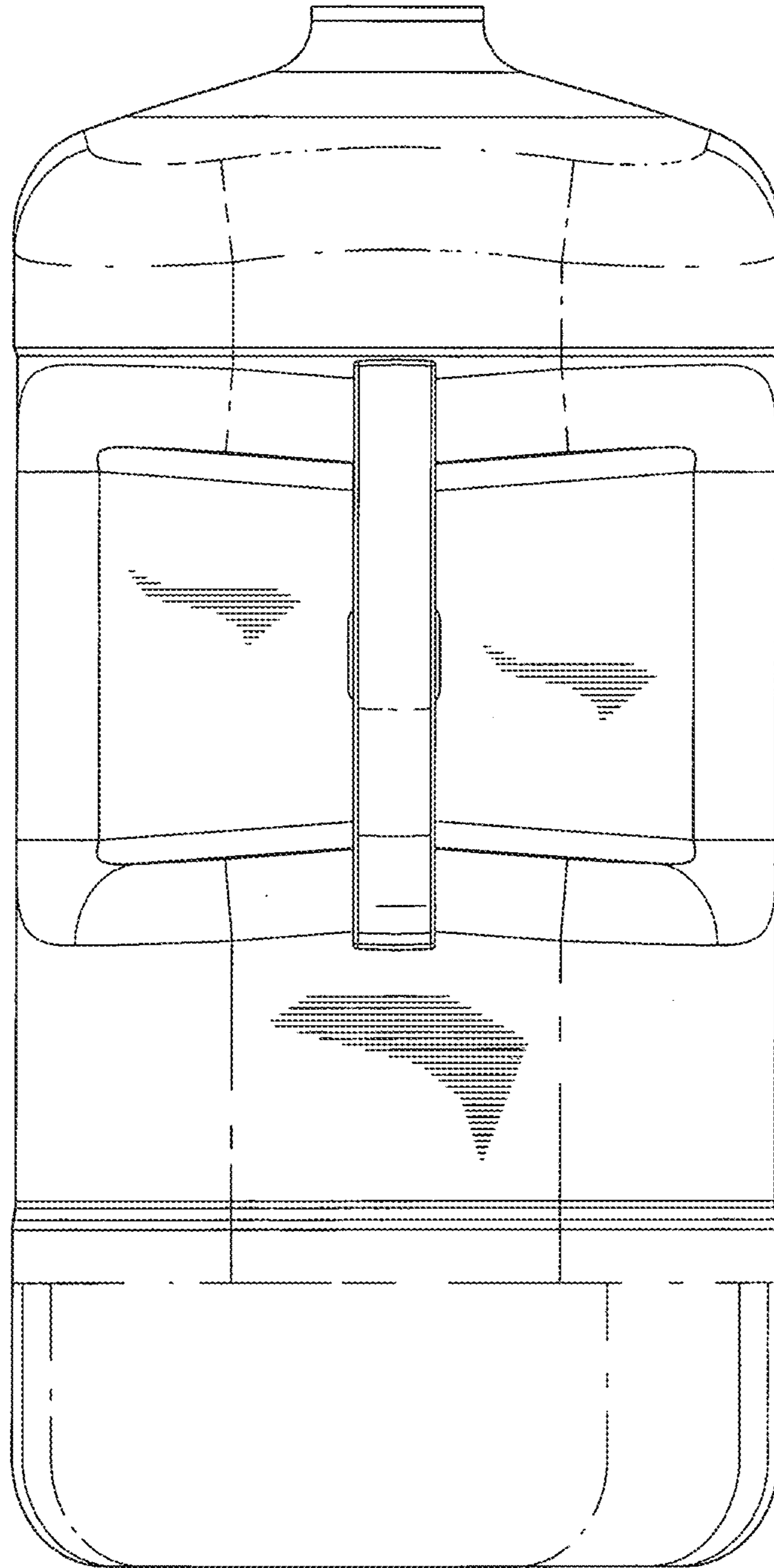


FIG. 5

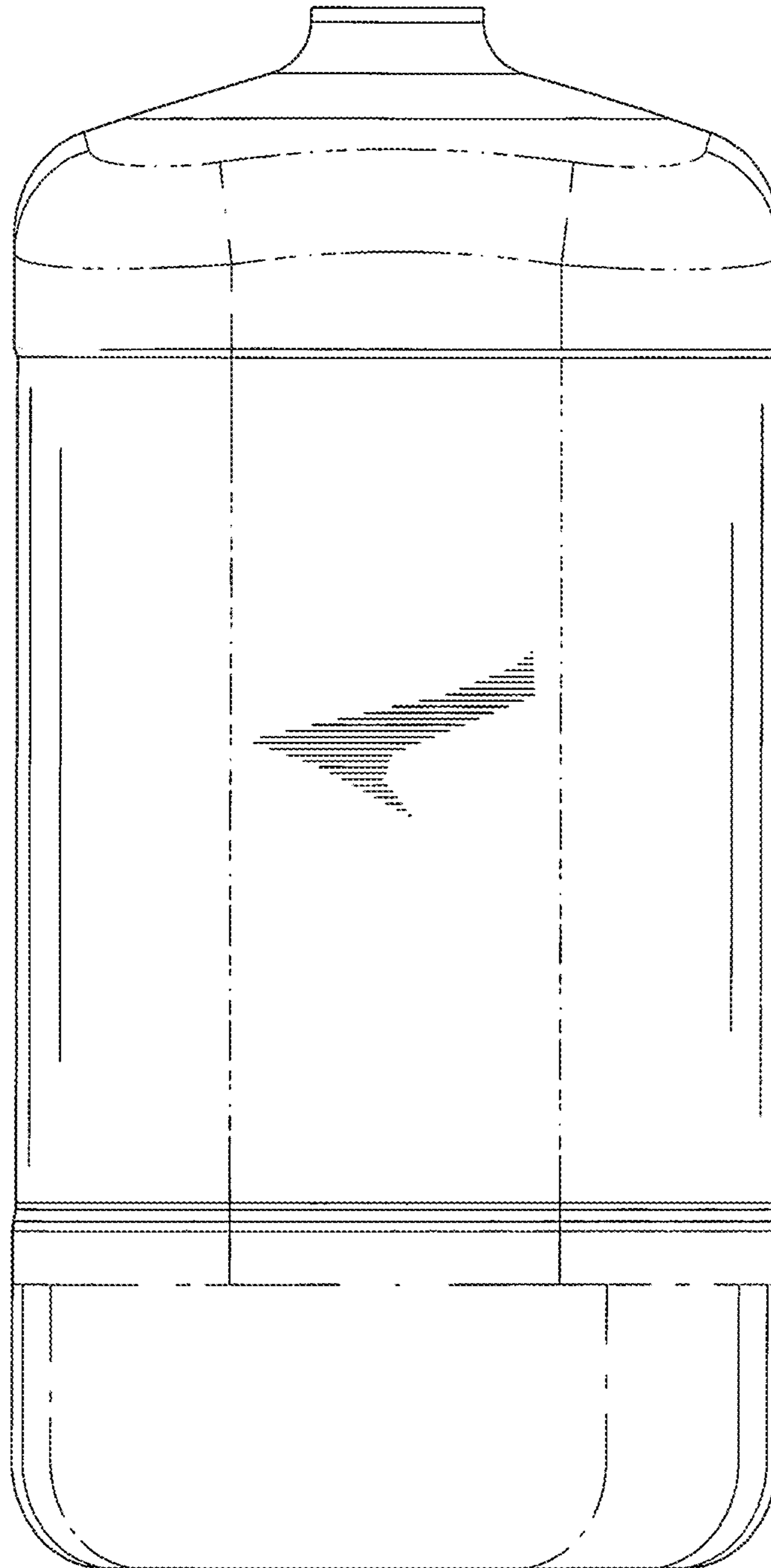


FIG. 6

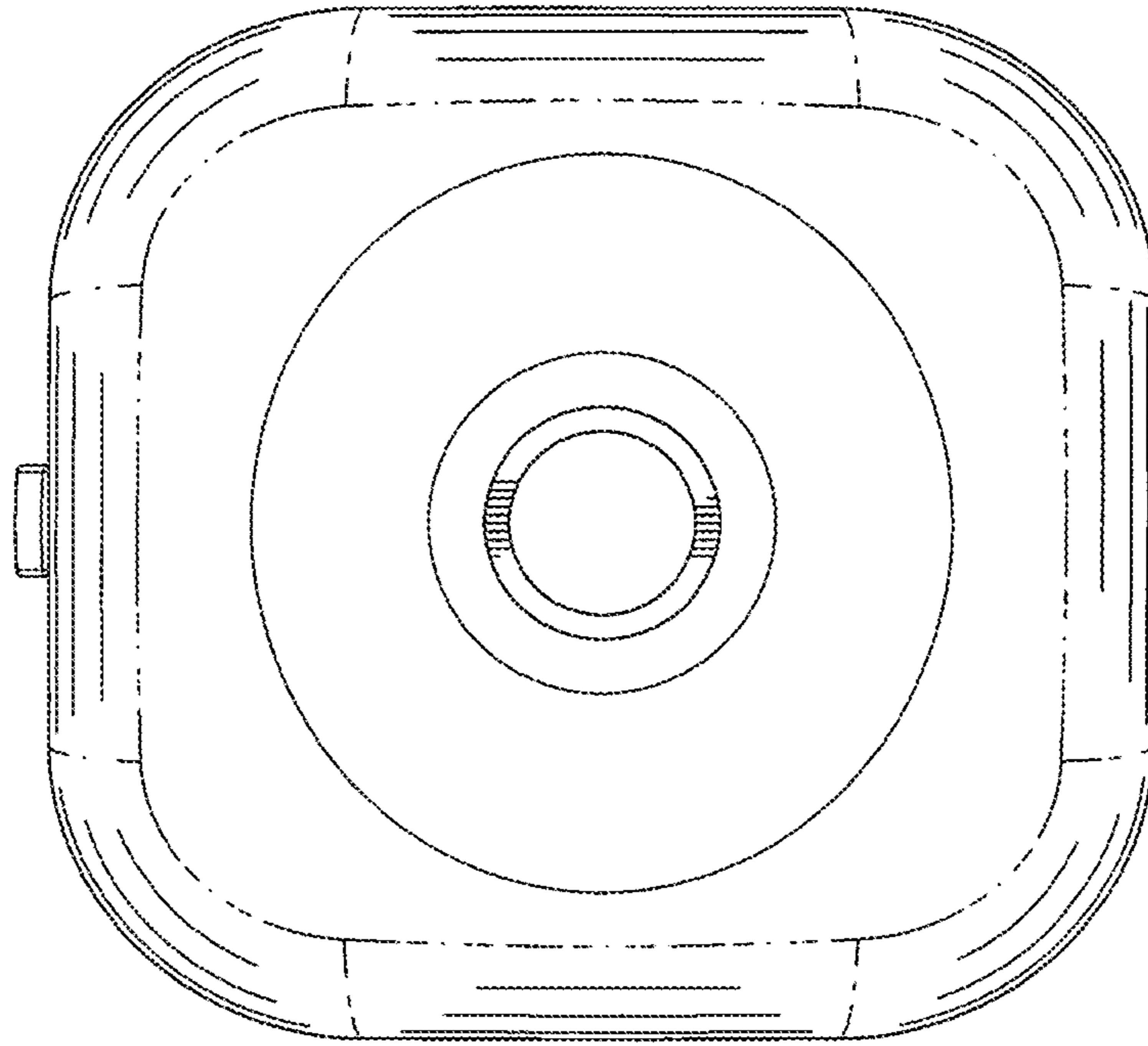


FIG. 7

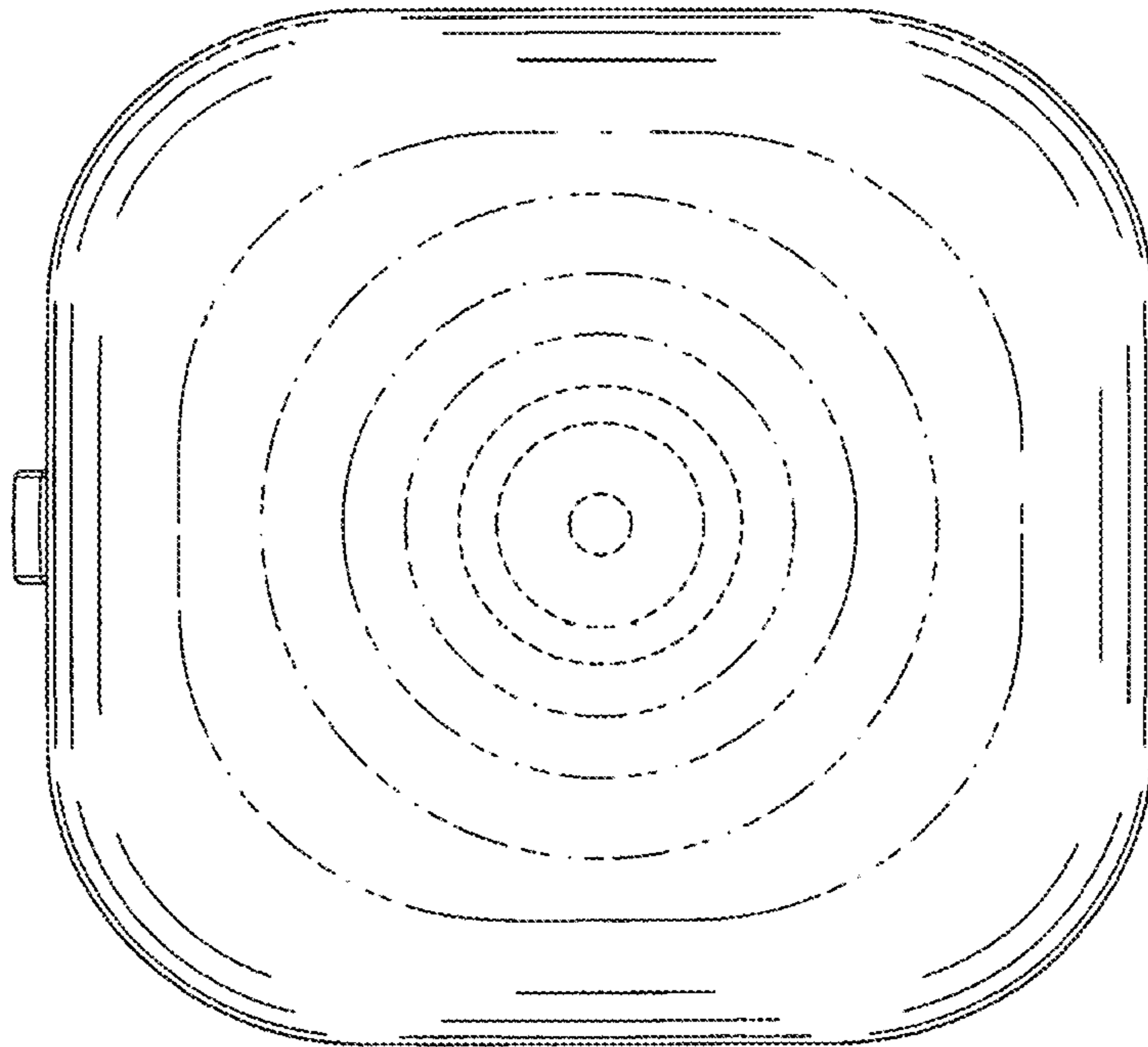


FIG. 8