



US00D810572S

(12) **United States Design Patent**
Oliveira

(10) **Patent No.:** **US D810,572 S**

(45) **Date of Patent:** **** Feb. 20, 2018**

- (54) **JUG**
- (71) Applicant: **THE HARTZ MOUNTAIN CORPORATION**, Secaucus, NJ (US)
- (72) Inventor: **Vitor Oliveira**, Elizabeth, NJ (US)
- (73) Assignee: **THE HARTZ MOUNTAIN CORPORATION**, Secaucus, NJ (US)

- D248,831 S * 8/1978 Anderson D9/528
- D279,078 S * 6/1985 Franchi D9/528
- D302,523 S * 8/1989 Suhajda D9/528
- D333,982 S * 3/1993 Levy D9/528
- 6,237,792 B1 * 5/2001 Skolnicki B65D 23/10
215/365
- D507,183 S * 7/2005 Spellissy D9/430
- D521,870 S * 5/2006 Miller D9/528
- D654,796 S * 2/2012 Wurth D9/528

(Continued)

(**) Term: **15 Years**

(21) Appl. No.: **29/570,446**

(22) Filed: **Jul. 8, 2016**

(51) **LOC (11) Cl.** **09-01**

(52) **U.S. Cl.**
USPC **D9/528; D9/575**

(58) **Field of Classification Search**
 USPC D9/651, 658, 523-524, 528, 530-535,
 D9/548, 549-550, 574, 575, 520, 522,
 D9/526, 527, 553, 555, 556, 557,
 D9/563-570, 742, 516, 719;
 215/381-385, 10; 220/660, 669, 679,
 220/752; D23/211.1, 225; 206/510
 CPC B65D 23/00; B65D 23/10; B65D 1/00;
 B65D 1/02; B65D 21/00; B65D 21/02;
 B65D 21/0201; B65D 21/0209; B65D
 21/0233; B65D 21/0234; B65D 21/0237;
 B65D 1/10; B65D 1/40; B65D 1/42;
 B65D 11/04; B65D 2501/0081; B65D
 2101/0053; B65D 1/0223; B65D 25/282;
 B65D 25/2811; B65D 25/2808; B65D
 25/2805; B65D 1/20; B65D 21/0231

See application file for complete search history.

(56) **References Cited**

U.S. PATENT DOCUMENTS

- D228,230 S * 8/1973 Cutler D9/528
- D230,708 S * 3/1974 Hutler et al. D9/528
- D237,255 S * 10/1975 Plummer D9/528

OTHER PUBLICATIONS

Hartz Light Weight Multi-Cat Strong Fresh Air Scent Clumping Cat Litter, 10 lb, posted at walmart.com, posting date not available, © Walmart Stores, Inc.[online], [site visited Jun. 14, 2017]. Available from Internet, <URL: <https://www.walmart.com/ip/Hartz-Multi-Cat-Strong-Lightweight-Cat-Litter-Fresh-Air-Scent-10-lb/45787658>>.*

Primary Examiner — Anhdao Doan

Assistant Examiner — Mark Malley

(74) *Attorney, Agent, or Firm* — Gottlieb, Rackman & Reisman, P.C.

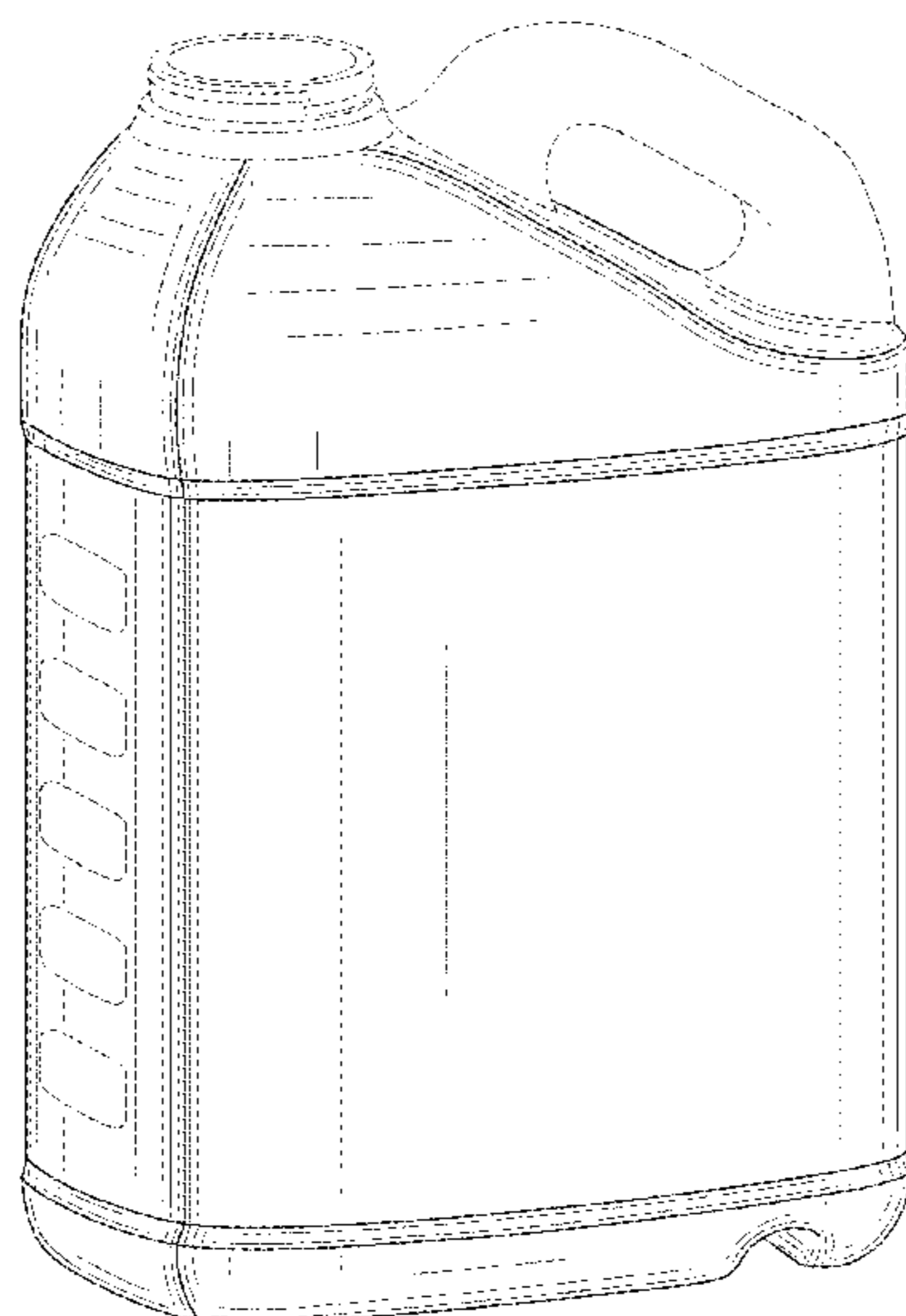
(57) **CLAIM**

The ornamental design for a jug, as shown and described.

DESCRIPTION

FIG. 1 is a front perspective view showing my new design;
 FIG. 2 is a top plan view thereof;
 FIG. 3 is a left side elevational view thereof;
 FIG. 4 is a front elevational view thereof;
 FIG. 5 is a right side elevational view thereof;
 FIG. 6 is a bottom plan view thereof; and,
 FIG. 7 is a rear perspective view thereof.
 The broken lines immediately adjacent to shaded areas form the boundaries of the claimed design, all other broken lines show portions of the jug that form no part of the claimed design.

1 Claim, 4 Drawing Sheets



(56)

References Cited

U.S. PATENT DOCUMENTS

D732,963 S * 6/2015 Hawry D9/528
2007/0068897 A1 * 3/2007 Miller B65D 23/102
215/398

* cited by examiner

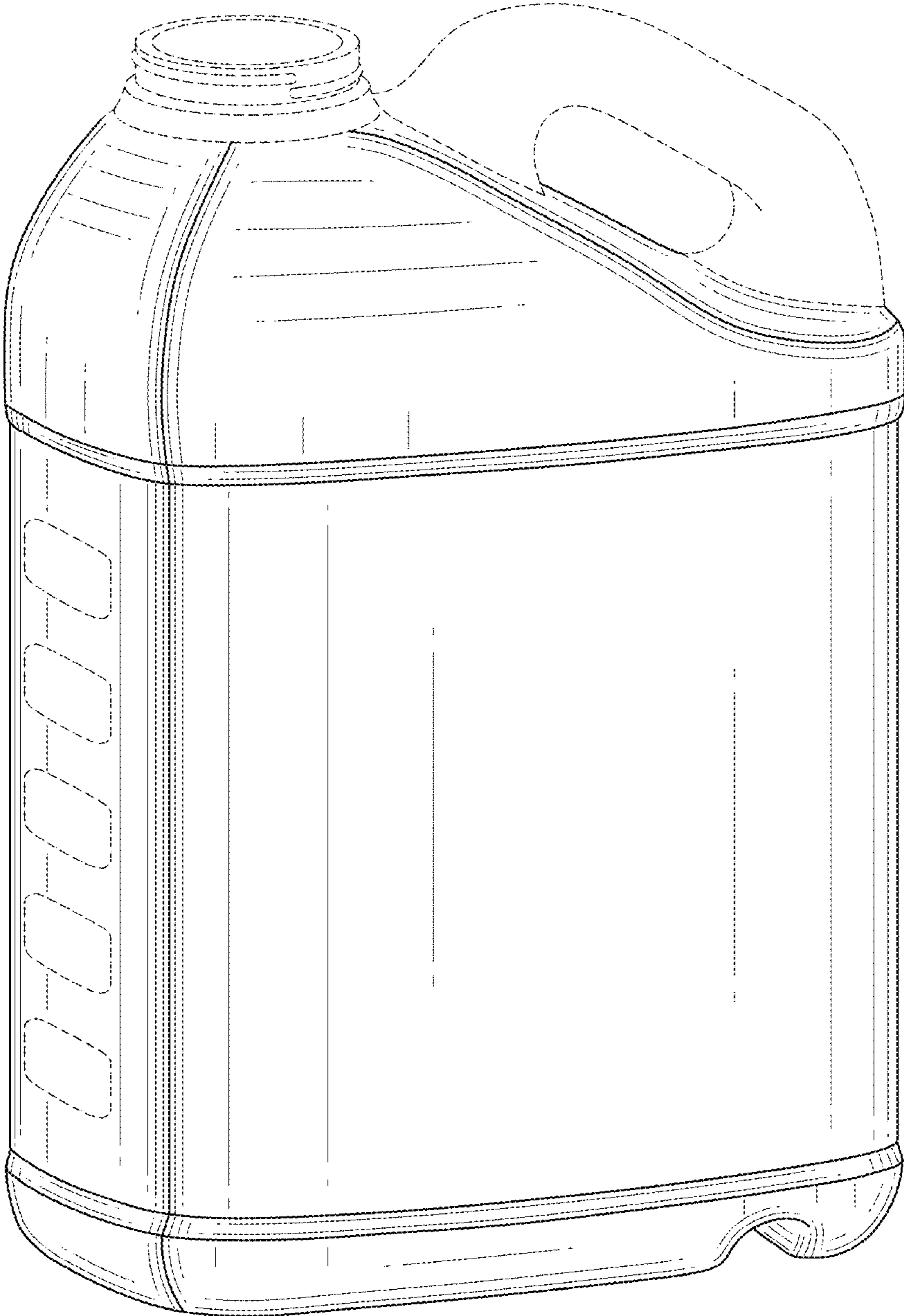


FIG. 1

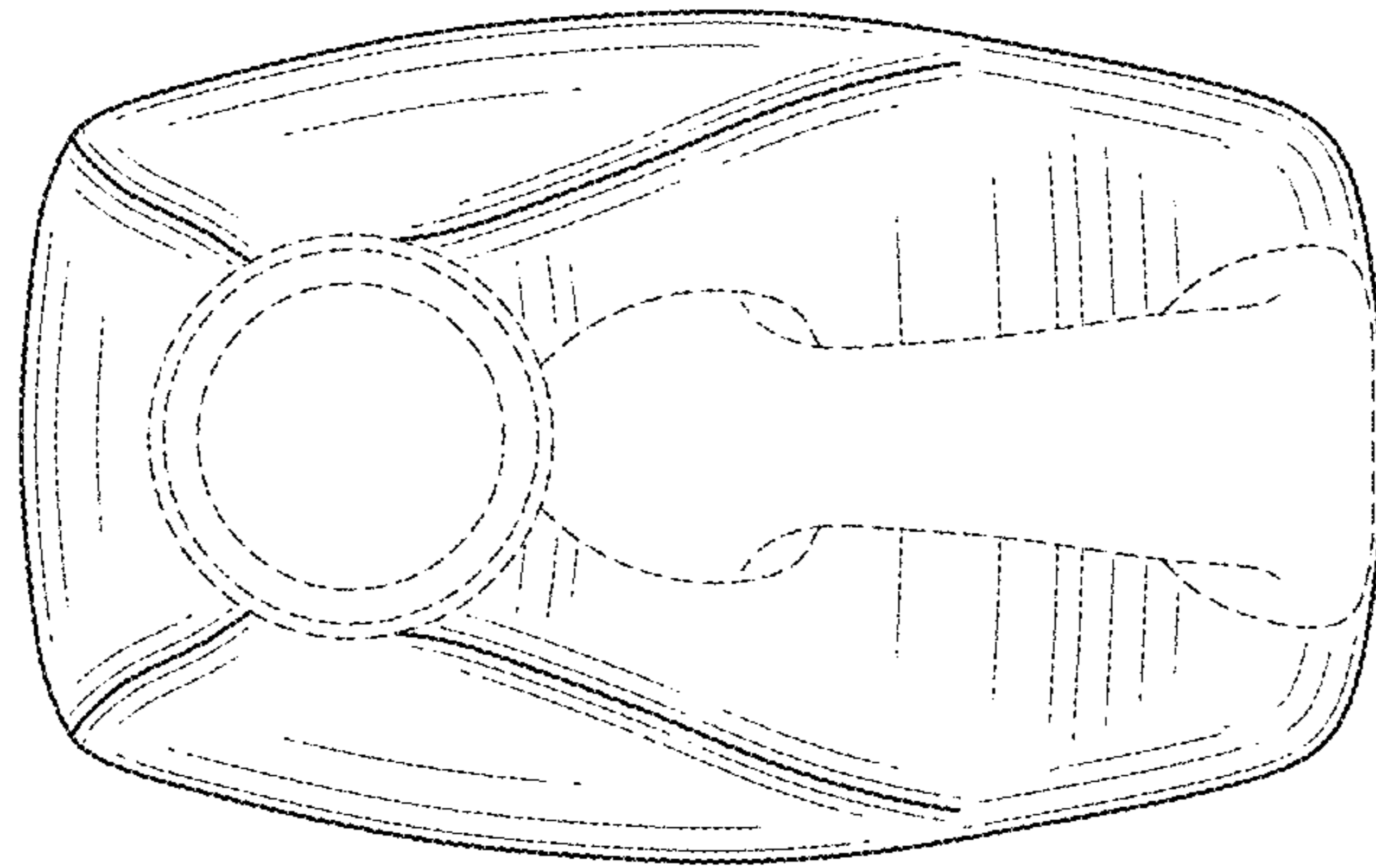


FIG. 2

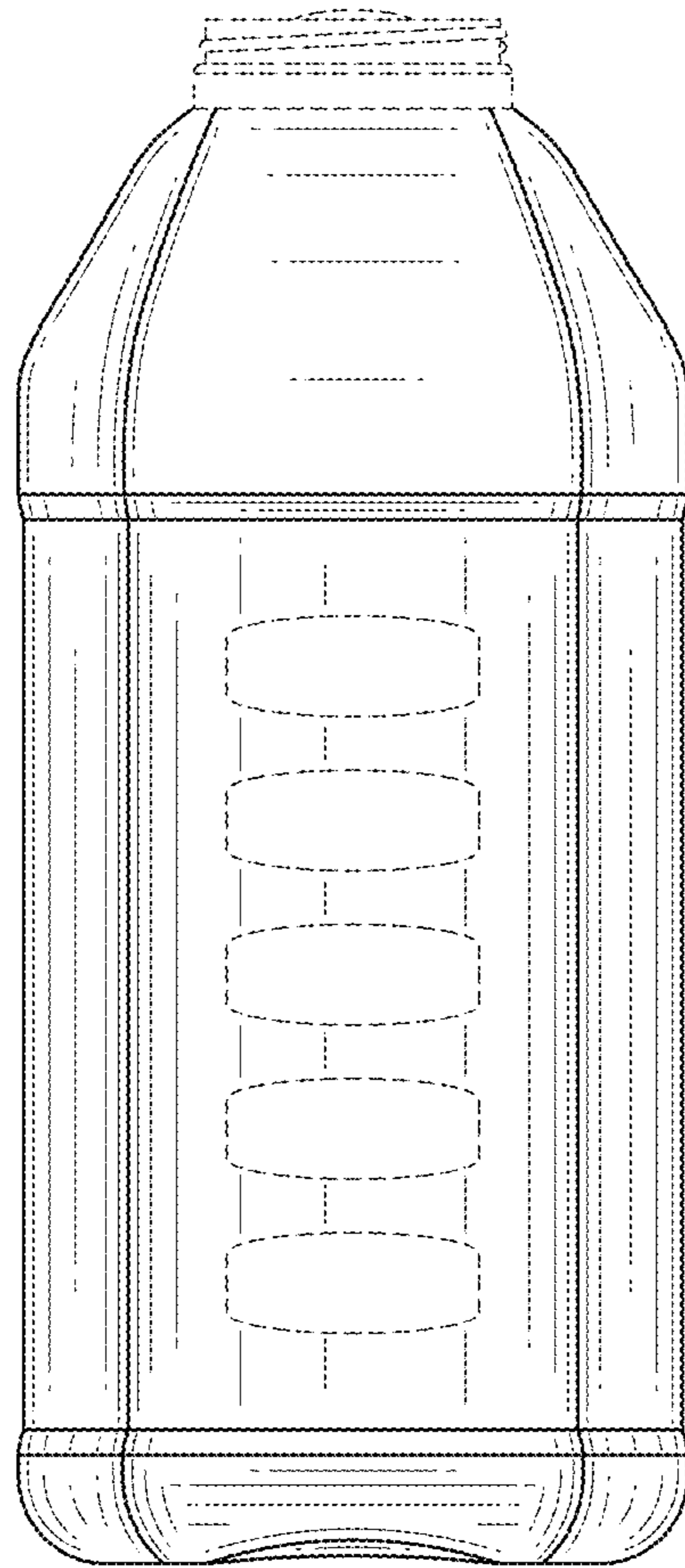


FIG. 3

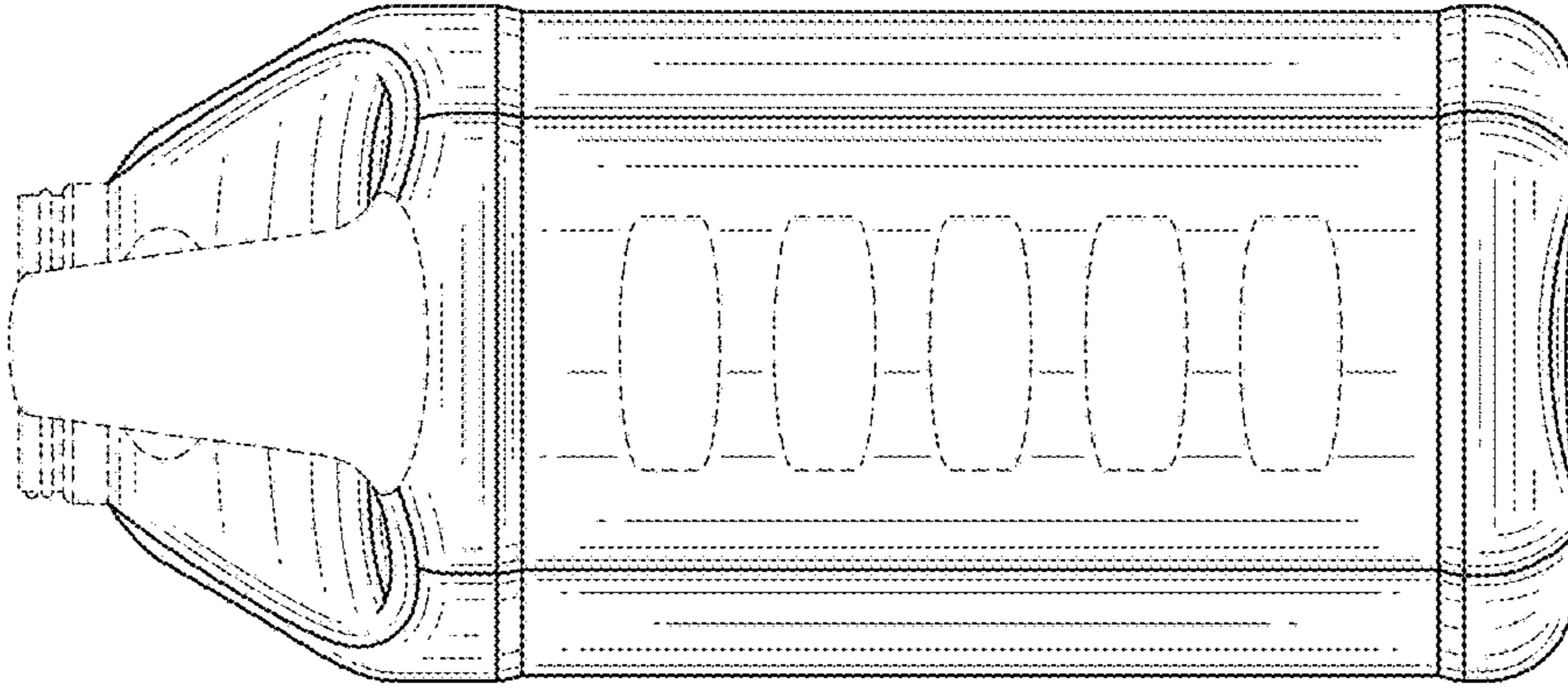


FIG. 5

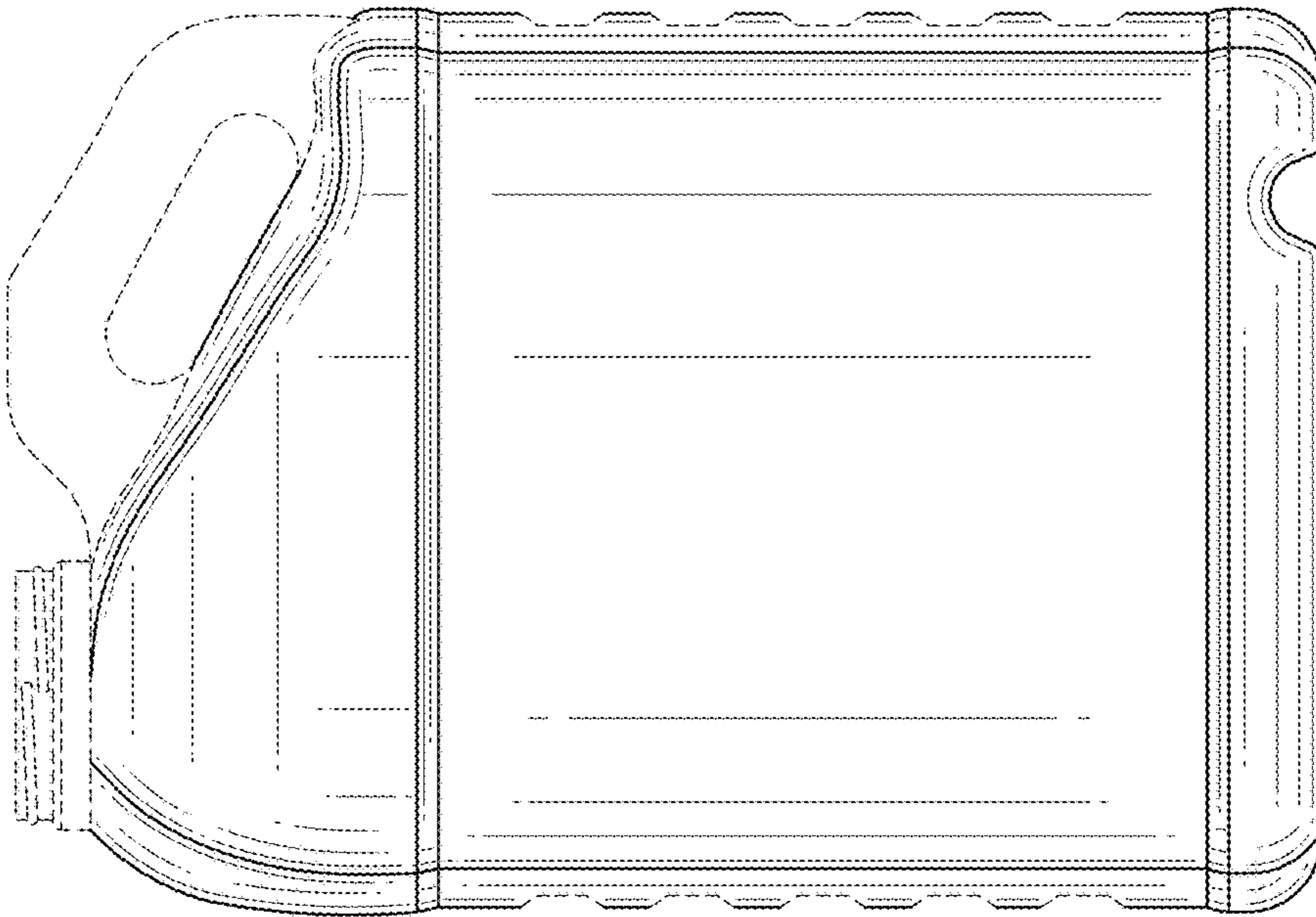


FIG. 4

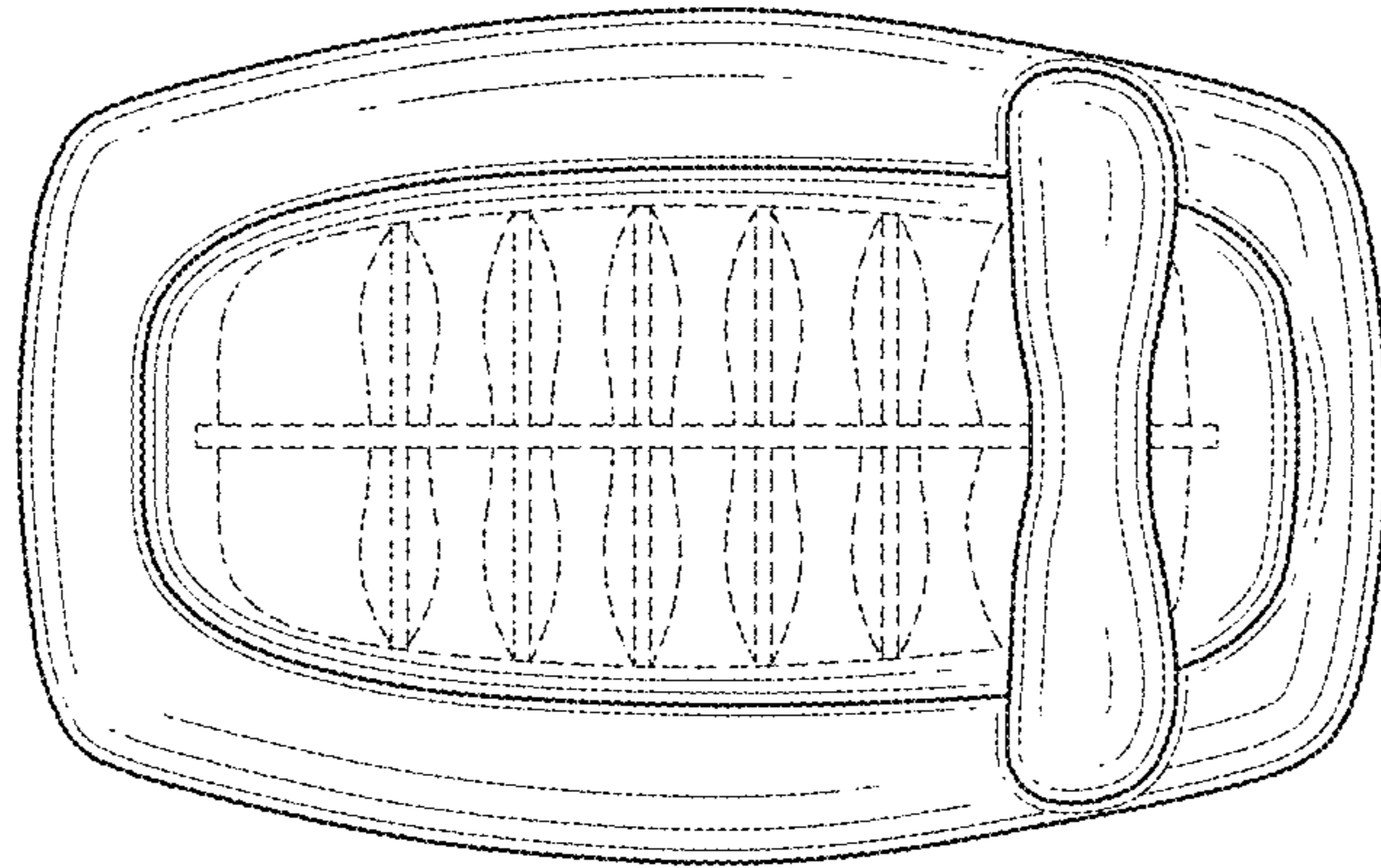


FIG. 6

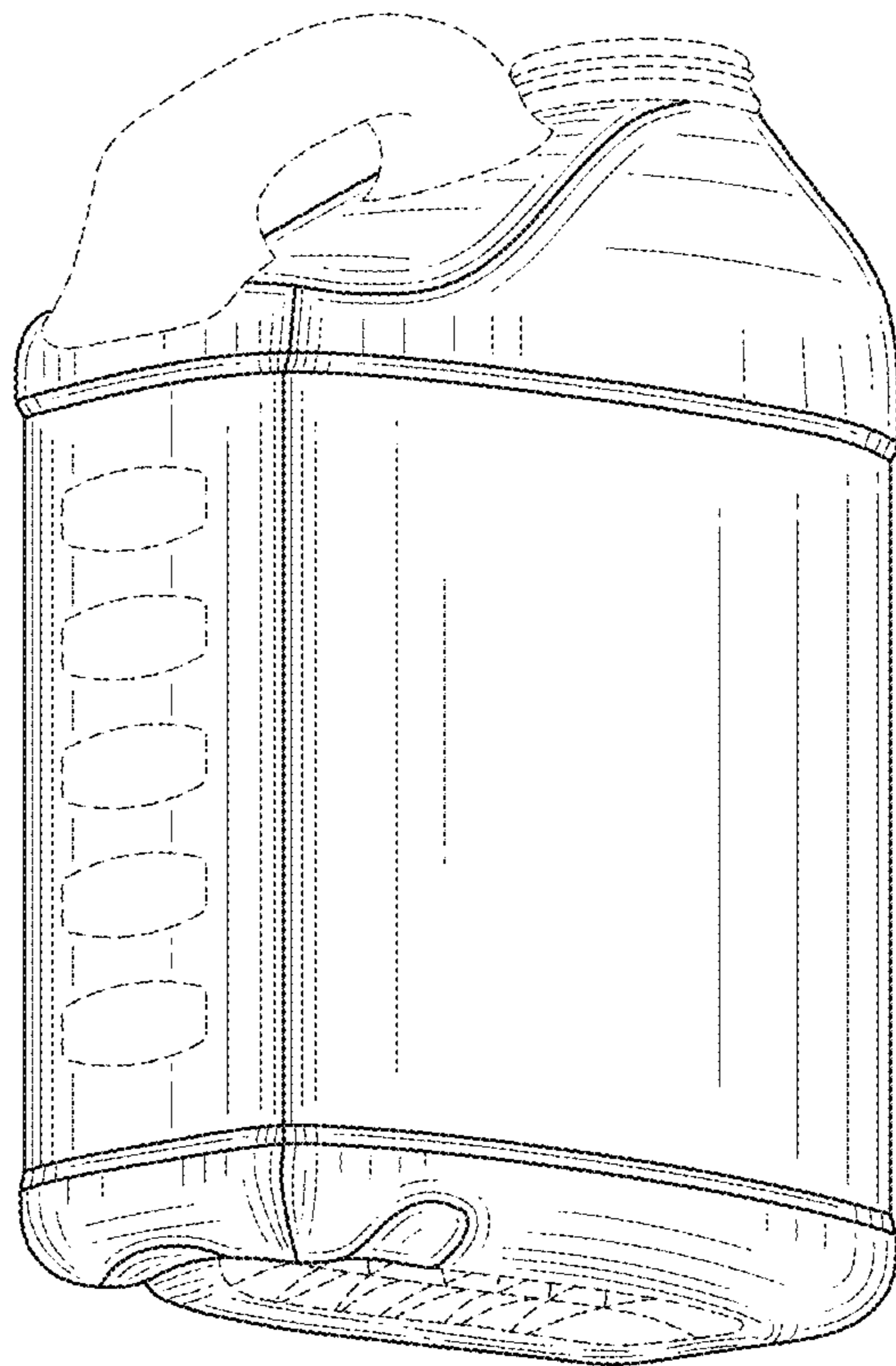


FIG. 7