



US00D810567S

(12) **United States Design Patent**
Brovar

(10) **Patent No.:** **US D810,567 S**

(45) **Date of Patent:** **** Feb. 20, 2018**

(54) **DISPOSABLE LID FOR A CONTAINER**

(71) Applicant: **Gilbert Brovar**, New York, NY (US)

(72) Inventor: **Gilbert Brovar**, New York, NY (US)

(**) Term: **15 Years**

(21) Appl. No.: **29/576,072**

(22) Filed: **Aug. 31, 2016**

(51) **LOC (11) Cl.** **09-07**

(52) **U.S. Cl.**
USPC **D9/449**

(58) **Field of Classification Search**

USPC D9/414, 417, 428, 432, 434, 435,
D9/443-450, 452-456, 499, 682-685;
D7/387, 392, 392.1, 393, 396,
D7/396.1-396.4, 398, 401.1, 507,
D7/509-511, 538, 900; D3/202, 294,
D3/318, 321; D28/91.1
CPC .. A61J 1/00; A61J 1/1412; B65D 1/00; B65D
1/02; B65D 1/10; B65D 1/46; B65D
2585/56; B65D 2585/545; B65D 41/00;
B65D 41/38; B65D 41/56; B65D 41/62;
B65D 47/00; B65D 47/06; B65D 47/08;
B65D 2543/00046; B65D 2543/00092;
B65D 2543/00296; B65D 5/46; B65D
2251/00

See application file for complete search history.

(56) **References Cited**

U.S. PATENT DOCUMENTS

D34,569 S * 5/1901 Tatum D9/424
1,746,149 A * 2/1930 Elsey A47G 19/12
222/545
2,207,757 A * 7/1940 Reardon B65D 17/506
206/503

(Continued)

Primary Examiner — Michael A. Pratt

Assistant Examiner — Wendy Arminio

(74) *Attorney, Agent, or Firm* — Lawrence G. Fridman,
Esq.; Feigin & Fridman, LLC

(57) **CLAIM**

The ornamental design for a disposable lid for a container,
as shown and described.

DESCRIPTION

FIG. 1 is a top perspective view of a first embodiment of a
disposable lid for a container showing my new design in a
closed position;

FIG. 2 is a bottom perspective view thereof;

FIG. 3 is a top plan view thereof;

FIG. 4 is a front elevation view thereof;

FIG. 5 is a rear elevation view thereof;

FIG. 6 is one side elevation view thereof;

FIG. 7 is another side elevation view thereof;

FIG. 8 is a bottom plan view thereof;

FIG. 9 is a top perspective view of the disposable lid for a
container of FIG. 1 shown in an open position;

FIG. 10 is a bottom perspective view thereof;

FIG. 11 is a top plan view thereof;

FIG. 12 is a front elevation view thereof;

FIG. 13 is a rear elevation view thereof;

FIG. 14 is one side elevation view thereof;

FIG. 15 is another side elevation view thereof;

FIG. 16 is a bottom plan view thereof;

FIG. 17 is a top plan view of a second embodiment of the
disposable lid for a container showing my new design in a
closed position;

FIG. 18 is a front elevation view thereof;

FIG. 19 is a rear elevation view thereof;

FIG. 20 is one side elevation view thereof;

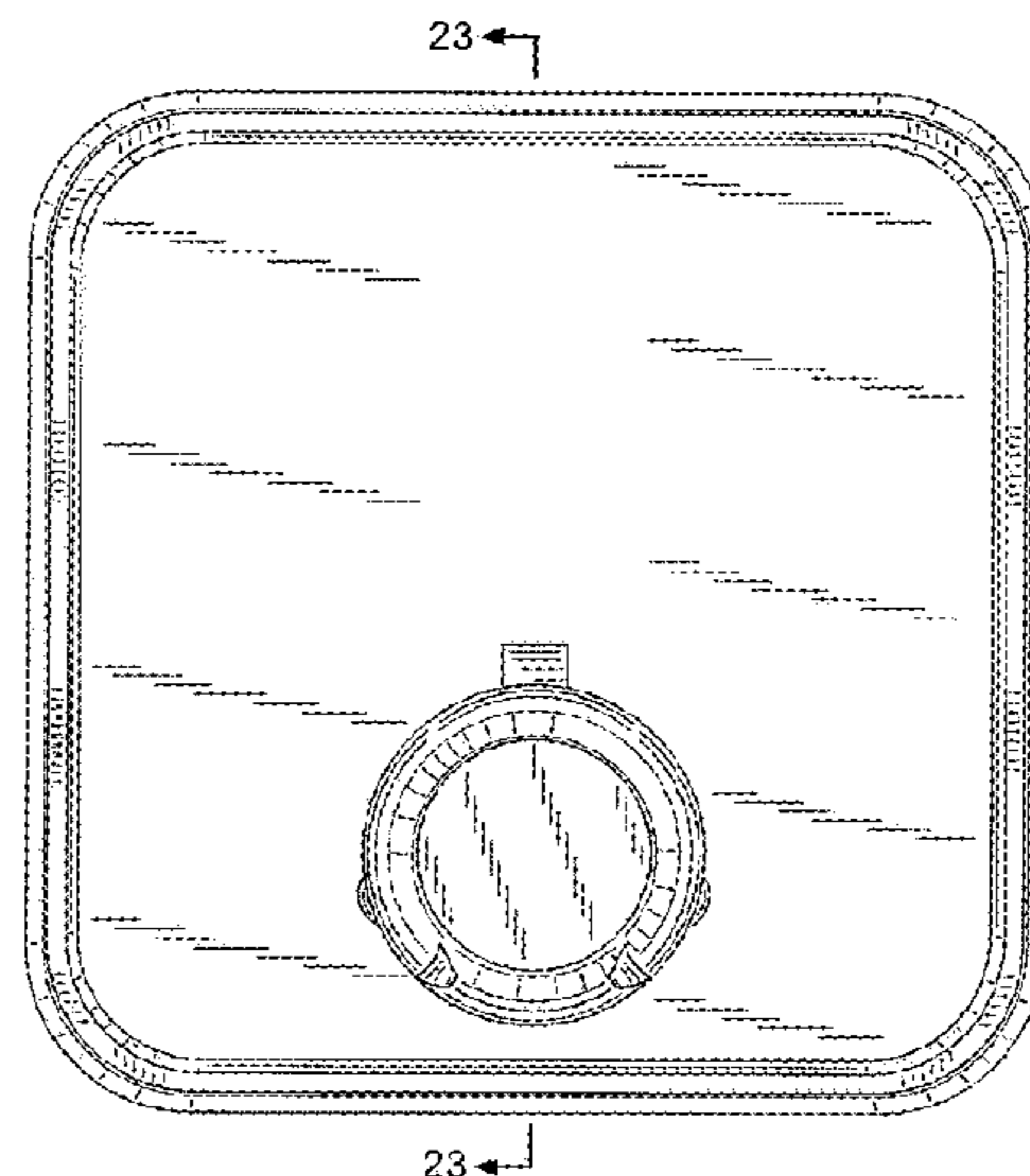
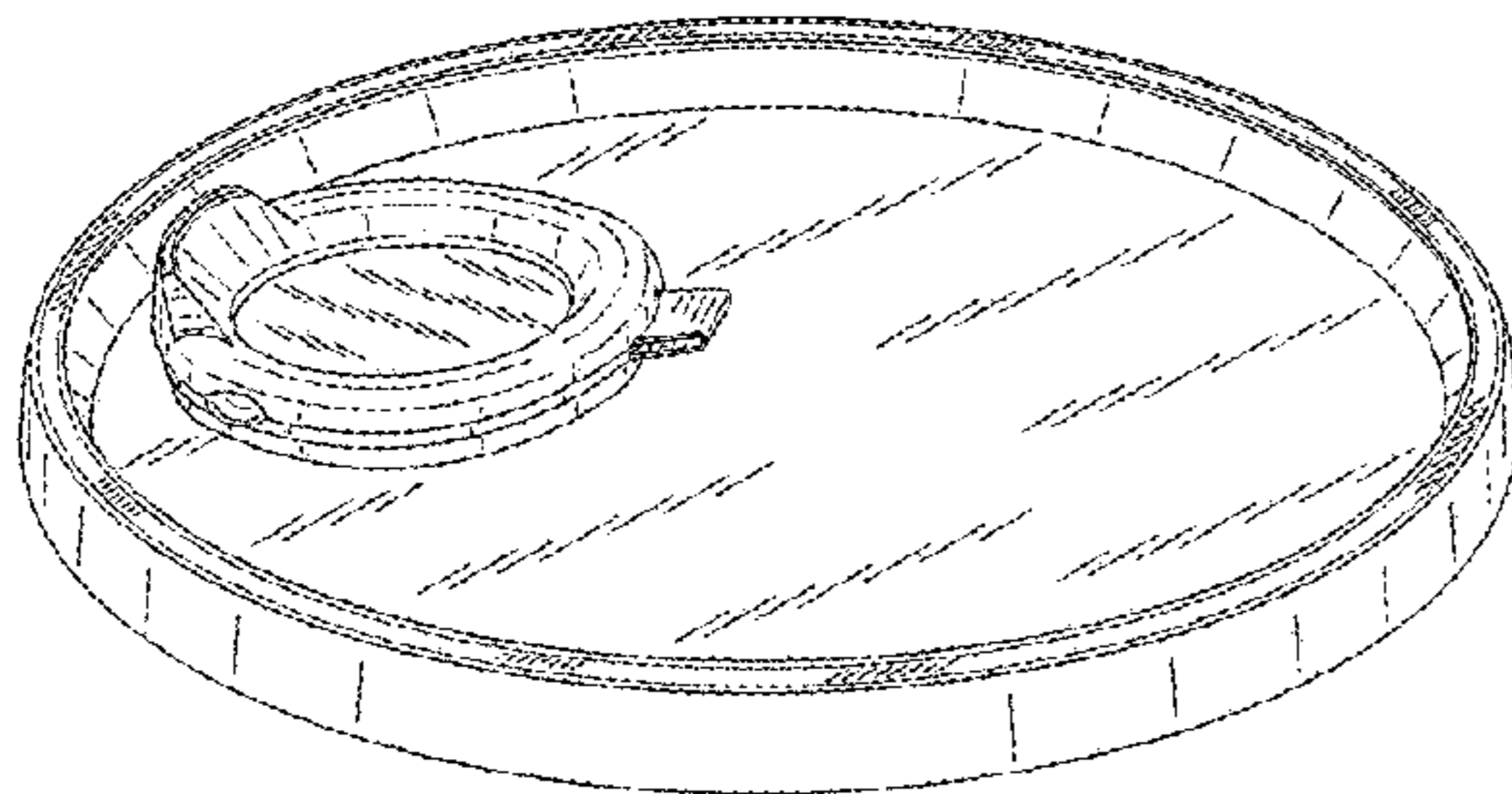
FIG. 21 is another side elevation view thereof;

FIG. 22 is a bottom plan view thereof;

FIG. 23 is a cross-section view according to section line
23-23 of FIGS. 3 and 17; and,

FIG. 24 is a cross-section view according to section line
24-24 of FIG. 11.

1 Claim, 9 Drawing Sheets



(56)

References Cited

U.S. PATENT DOCUMENTS

2,753,051 A * 7/1956 Tupper B65D 47/148
210/239
2,764,199 A * 9/1956 Tupper B65D 47/0885
16/265
2,764,200 A * 9/1956 Gits B65D 47/0895
220/254.3
D180,049 S * 4/1957 Tupper D7/321
2,882,947 A * 4/1959 Close B65D 47/0895
215/354
3,297,192 A * 1/1967 Swett B65D 47/0895
220/838
3,372,832 A * 3/1968 Yeater B65D 47/141
220/254.3
3,410,436 A * 11/1968 Foss B65D 51/1677
215/249
D232,703 S * 9/1974 Konzi D7/392.1
3,858,747 A * 1/1975 Wharton B65D 51/007
220/243
4,518,094 A * 5/1985 Kodman B65D 47/0895
220/254.3
D285,661 S * 9/1986 Brownbill D9/435
D292,037 S * 9/1987 Hanifl D24/131
D310,031 S * 8/1990 Curasi D9/443
D315,872 S * 4/1991 Bixler D9/435
D319,786 S * 9/1991 Rayner D9/438
5,088,614 A * 2/1992 Dumestre B65D 43/0212
220/254.3
D330,660 S * 11/1992 Newton D7/391
D332,049 S * 12/1992 Burgdorf D34/39
5,299,706 A * 4/1994 Wardell, Jr. B65D 51/24
220/254.1
D348,176 S * 6/1994 Sokolski D7/314
D348,834 S * 7/1994 Wardell, Jr. D9/435

5,415,312 A * 5/1995 Mueller B65D 47/089
220/254.3
D359,687 S * 6/1995 Arshinoff D9/447
D359,905 S * 7/1995 Molo D9/447
D360,105 S * 7/1995 Doxey D7/391
D363,671 S * 10/1995 Mueller D7/392.1
D376,952 S * 12/1996 Rausch D7/391
5,617,968 A * 4/1997 Luburic B65D 43/0256
220/266
6,554,156 B1 * 4/2003 Chong A47K 10/3818
221/303
D475,239 S * 6/2003 Claypool D7/392.1
6,604,647 B1 * 8/2003 Luburic B65D 43/0256
206/508
D503,534 S * 4/2005 Dong D3/276
D506,608 S * 6/2005 Dong B65D 25/32
D3/276
D517,861 S * 3/2006 Kim D7/392.1
D526,158 S * 8/2006 Laib D7/392.1
D527,218 S * 8/2006 Carlson D7/392
7,118,003 B2 * 10/2006 Sellari B65D 43/021
220/266
8,011,205 B2 * 9/2011 Roth A47J 41/0044
62/457.6
D655,605 S * 3/2012 Baughman D9/447
8,181,810 B2 * 5/2012 Jones B65D 43/0212
220/254.3
D692,720 S * 11/2013 Audette D7/392
D716,011 S * 10/2014 Jackson D32/53
9,108,766 B2 * 8/2015 Gosen B65D 21/0223
D741,642 S * 10/2015 Yessin D7/392
D763,079 S * 8/2016 Sturk D9/447
D765,508 S * 9/2016 Wu D9/439
2003/0160051 A1 * 8/2003 Ciccone B65D 43/0256
220/276
2009/0120937 A1 * 5/2009 Vovan B65D 43/0206
220/266

* cited by examiner

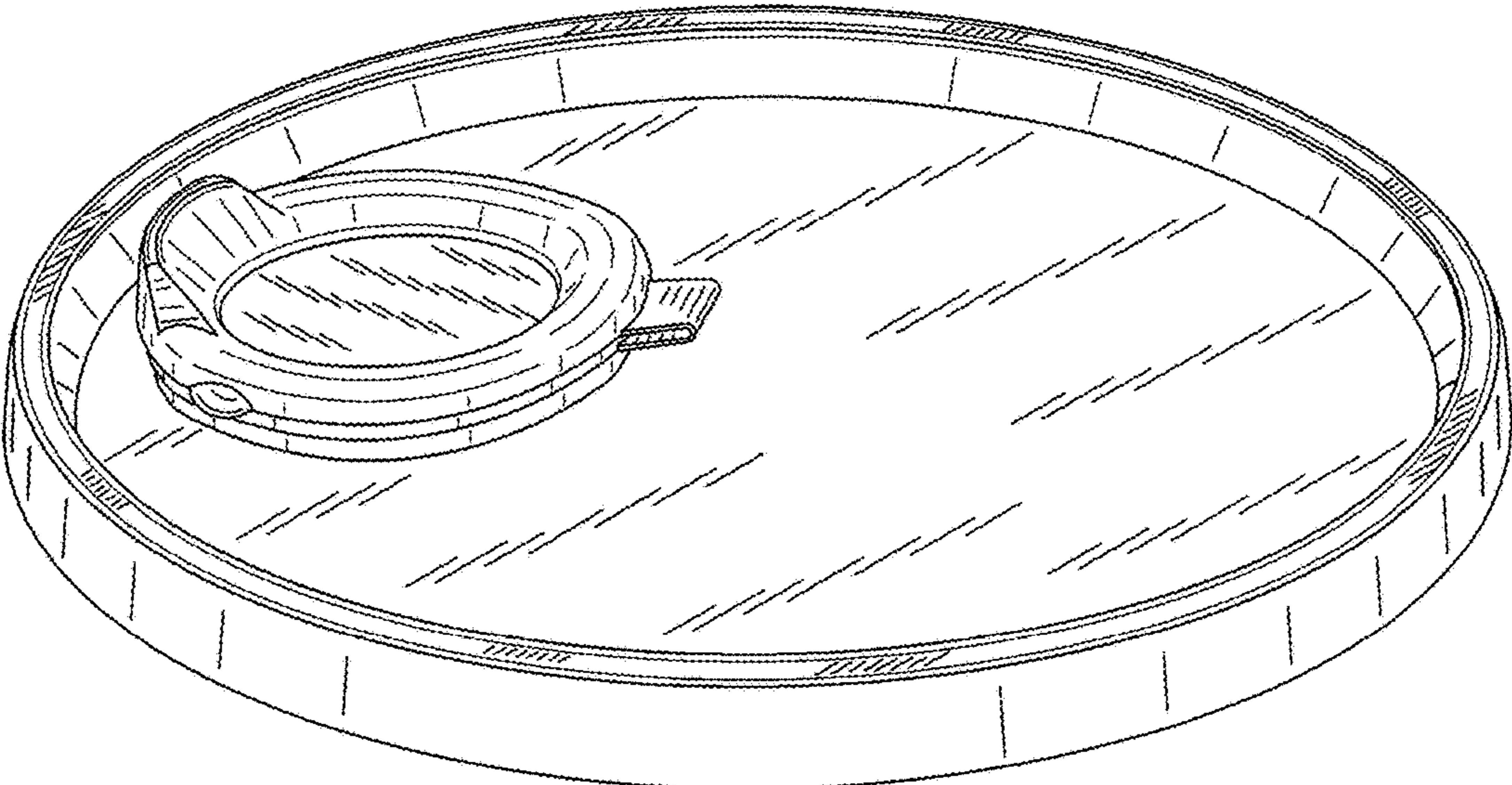


FIG. 1

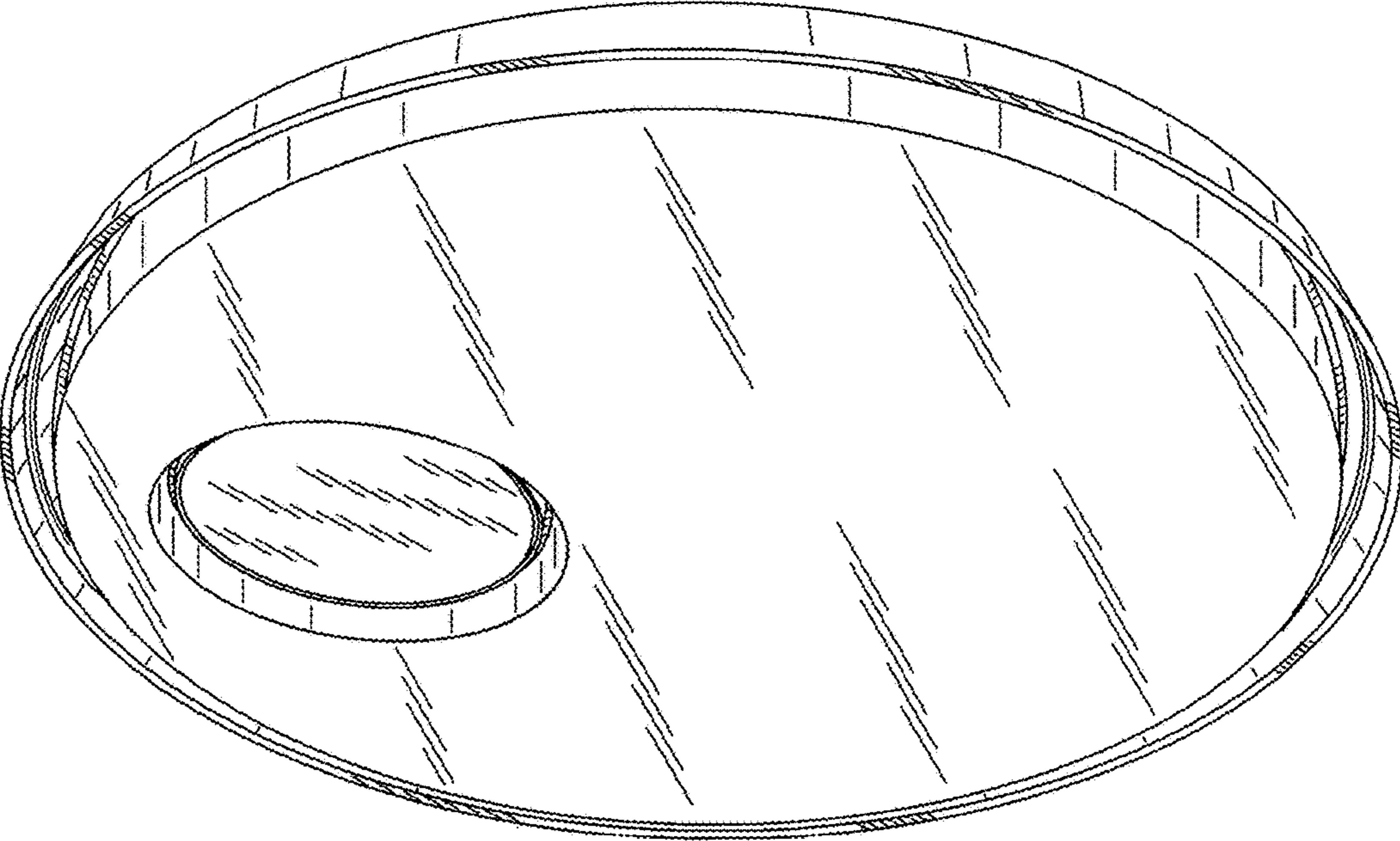
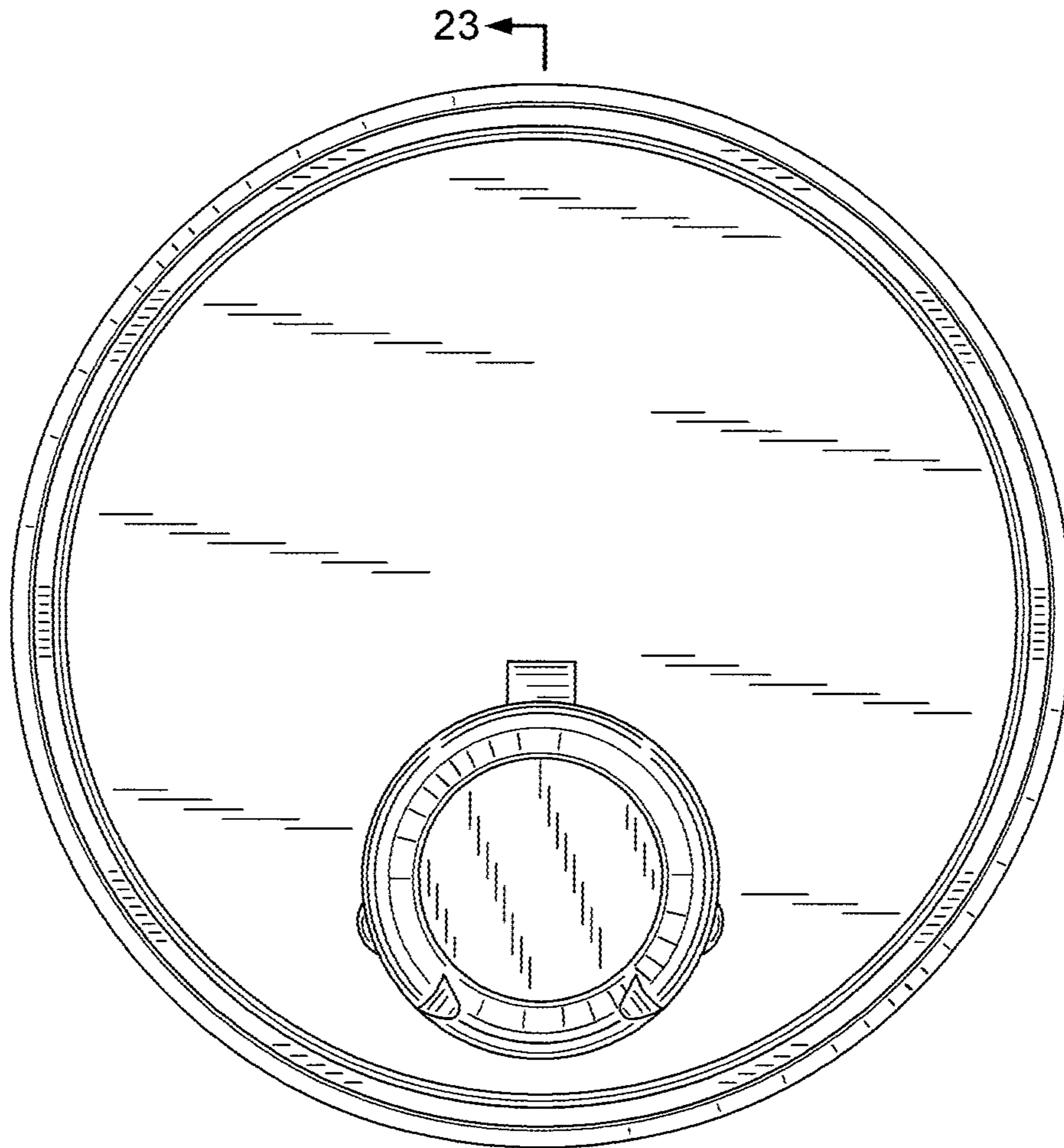


FIG. 2



23
FIG. 3

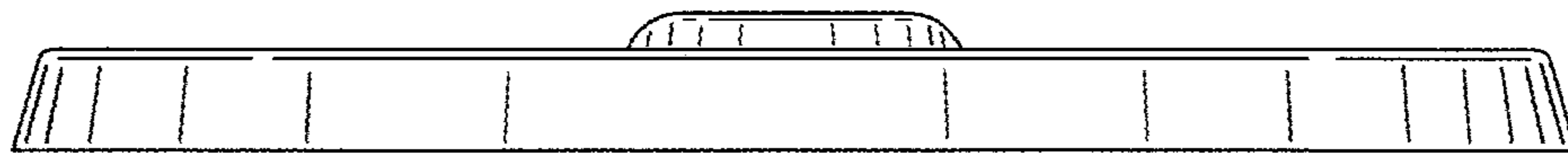


FIG. 4



FIG. 5

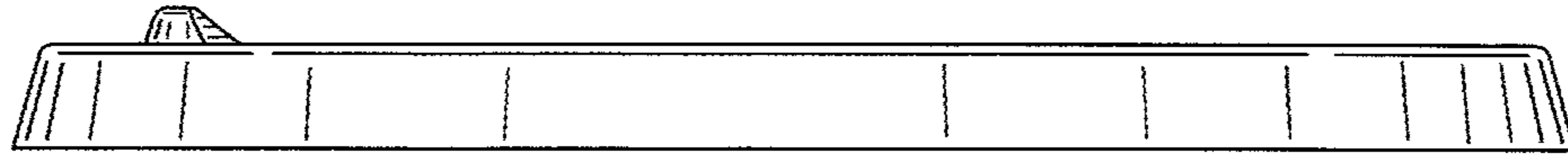


FIG. 6

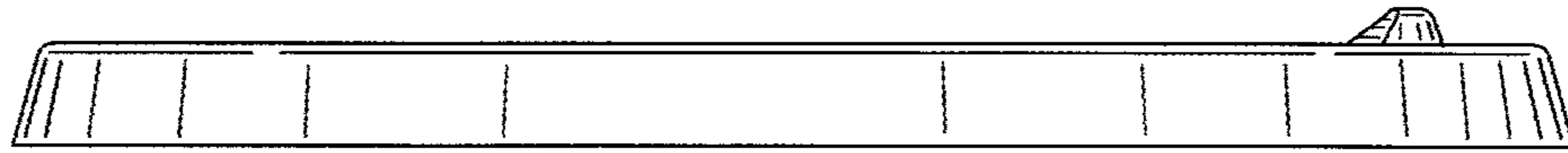


FIG. 7

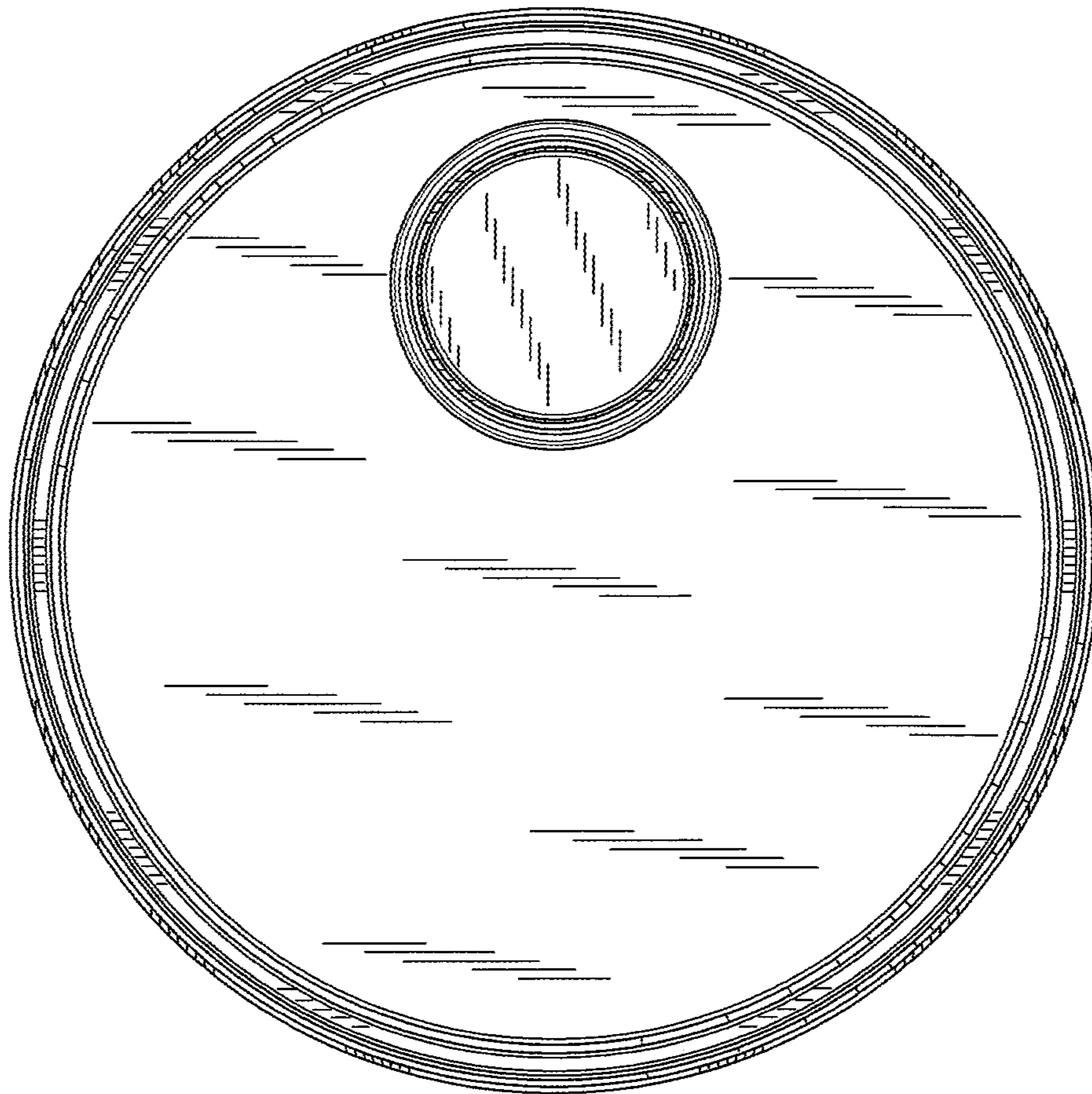


FIG. 8

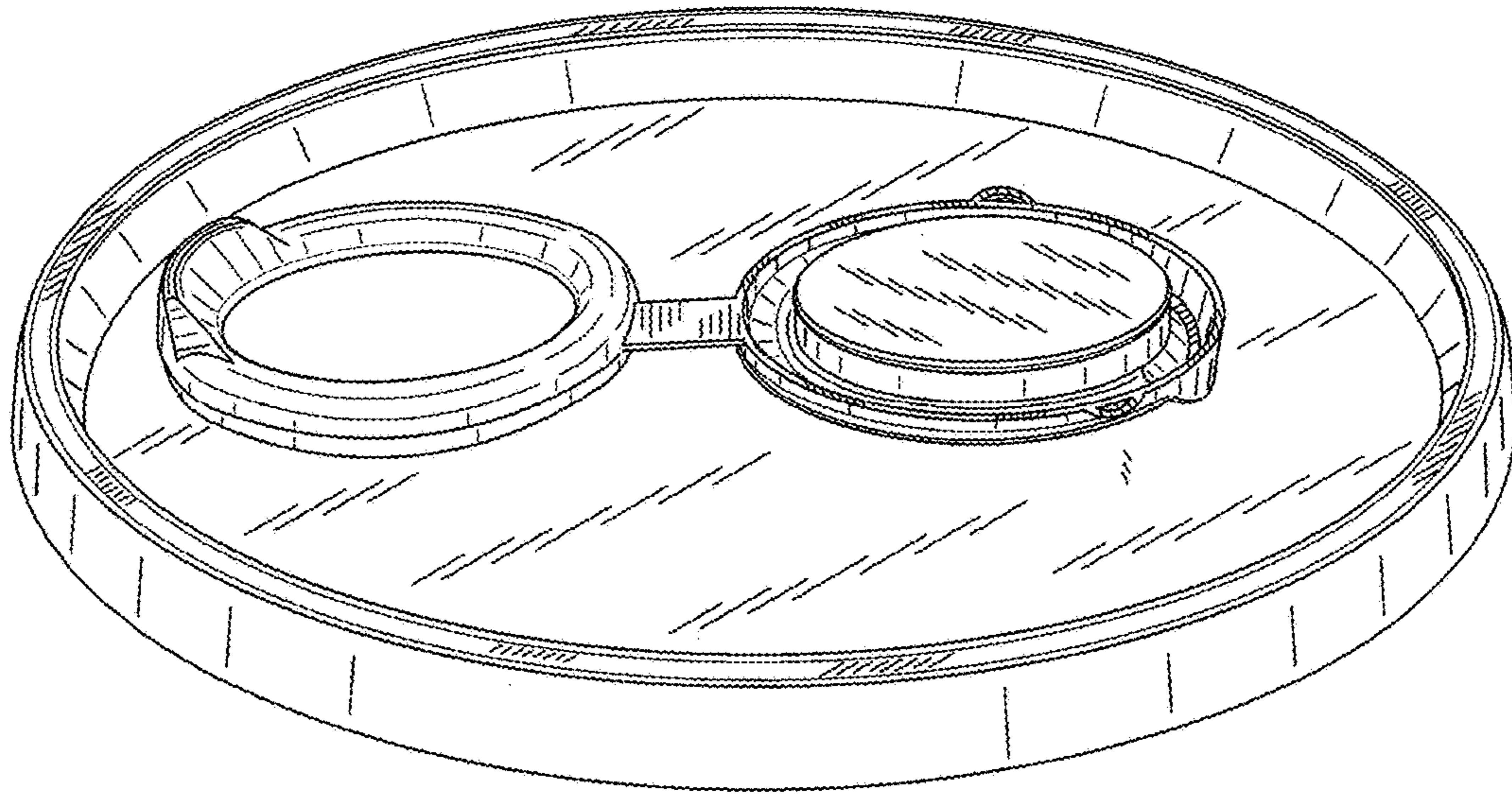


FIG. 9

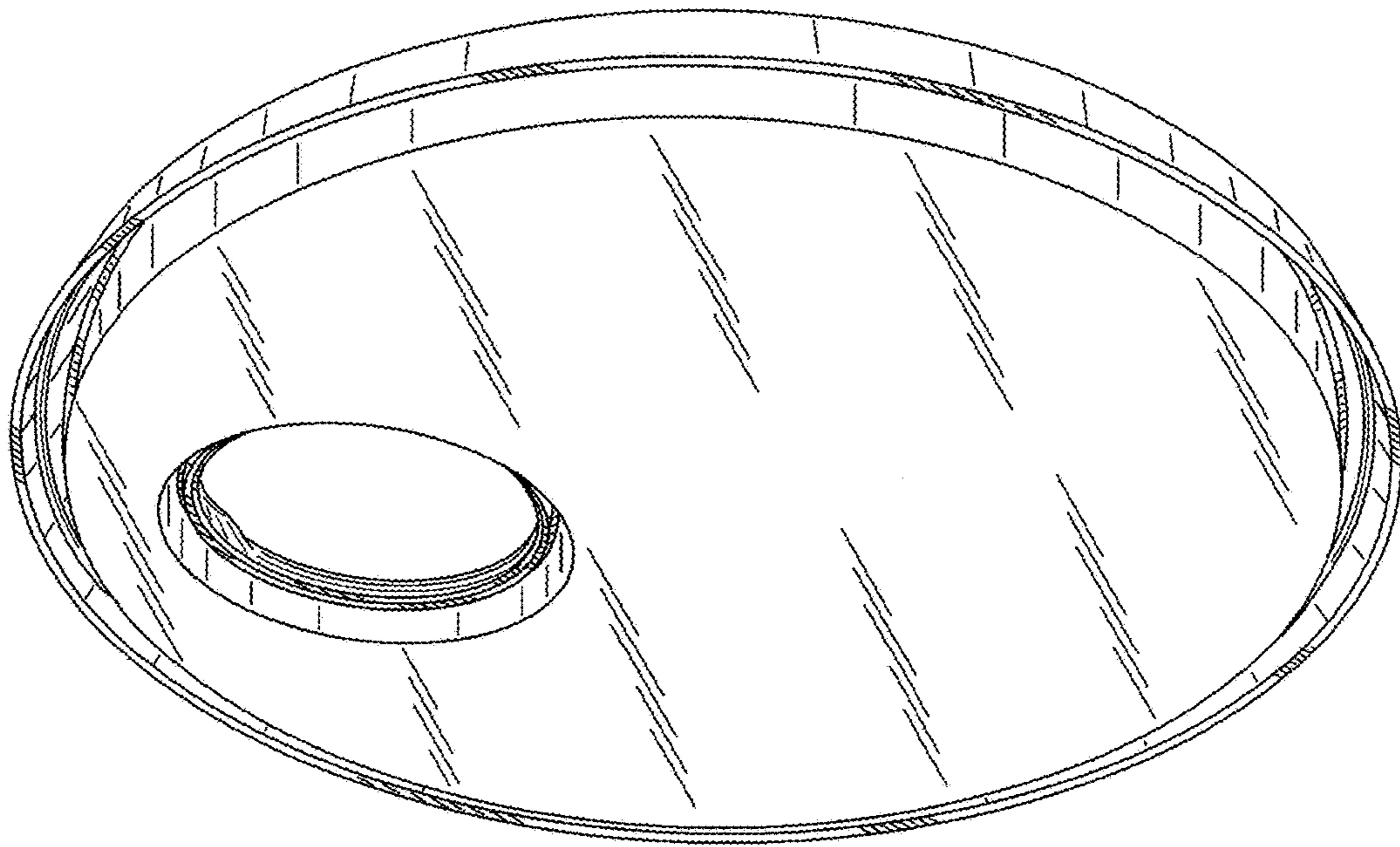
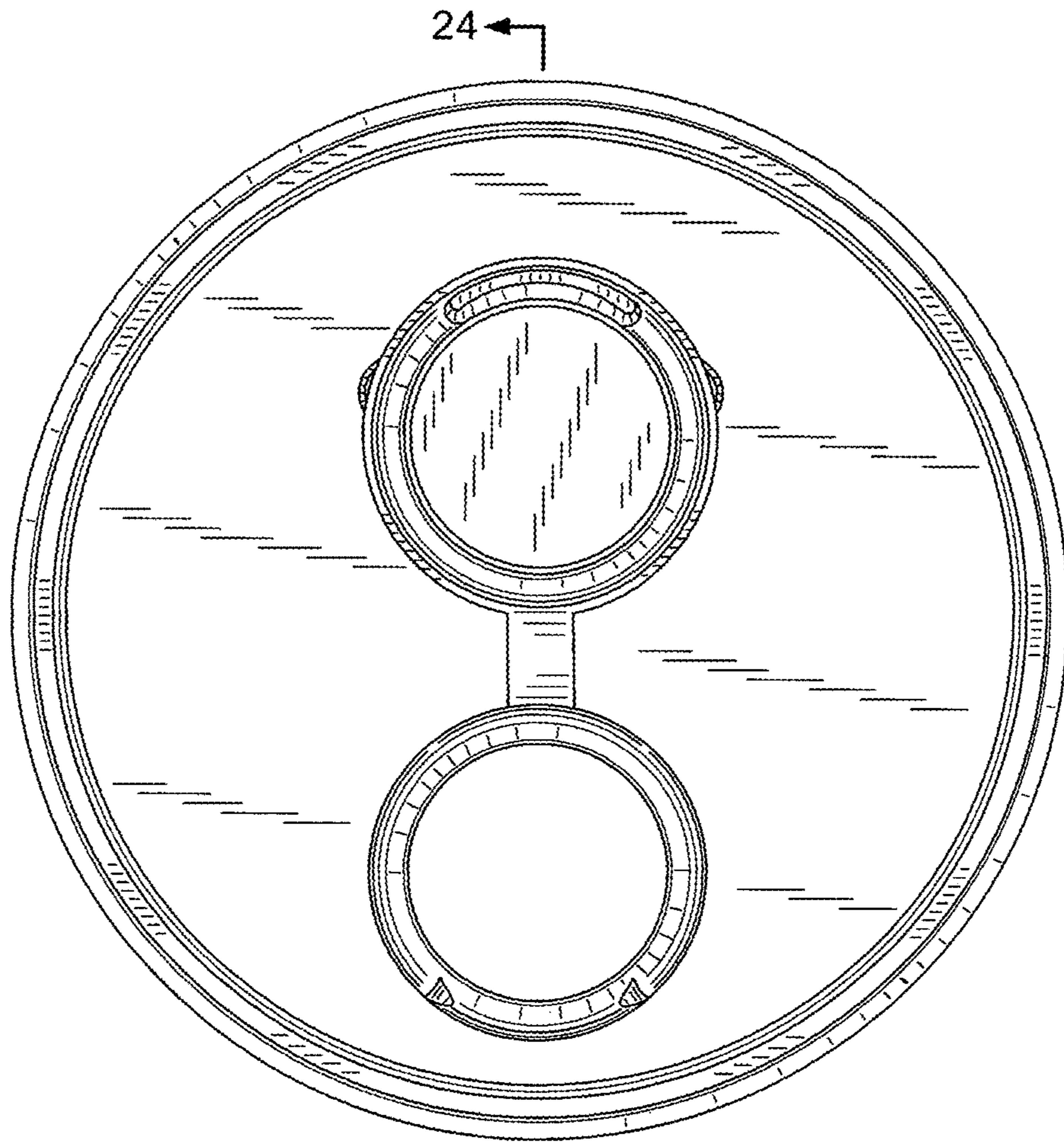


FIG. 10



24 ←

FIG. 11

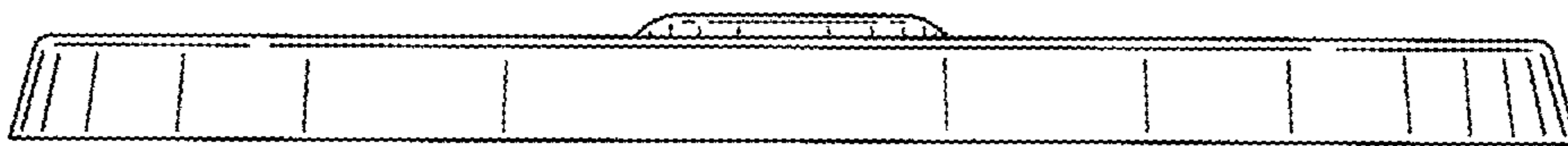


FIG. 12



FIG. 13



FIG. 14



FIG. 15

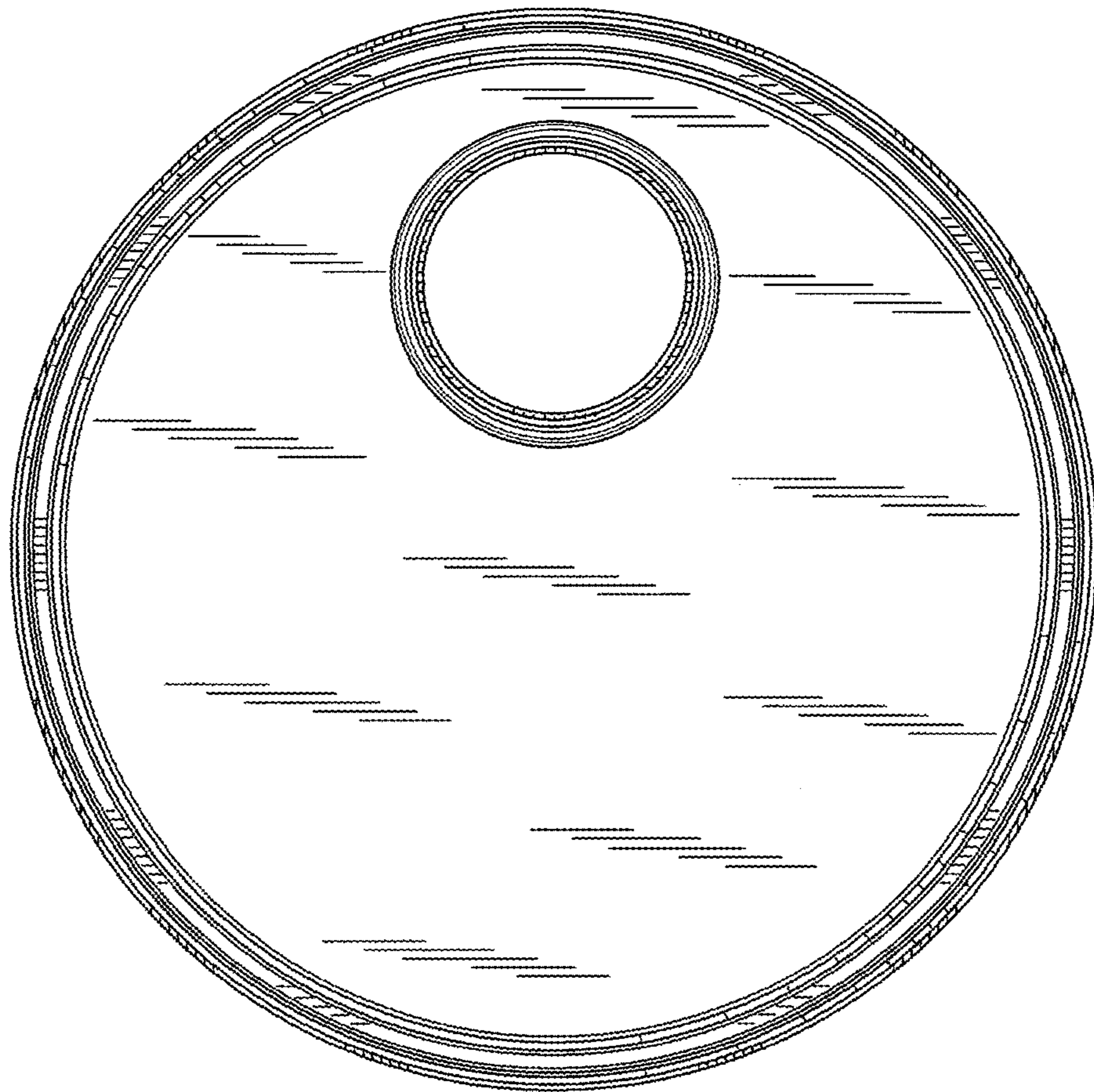
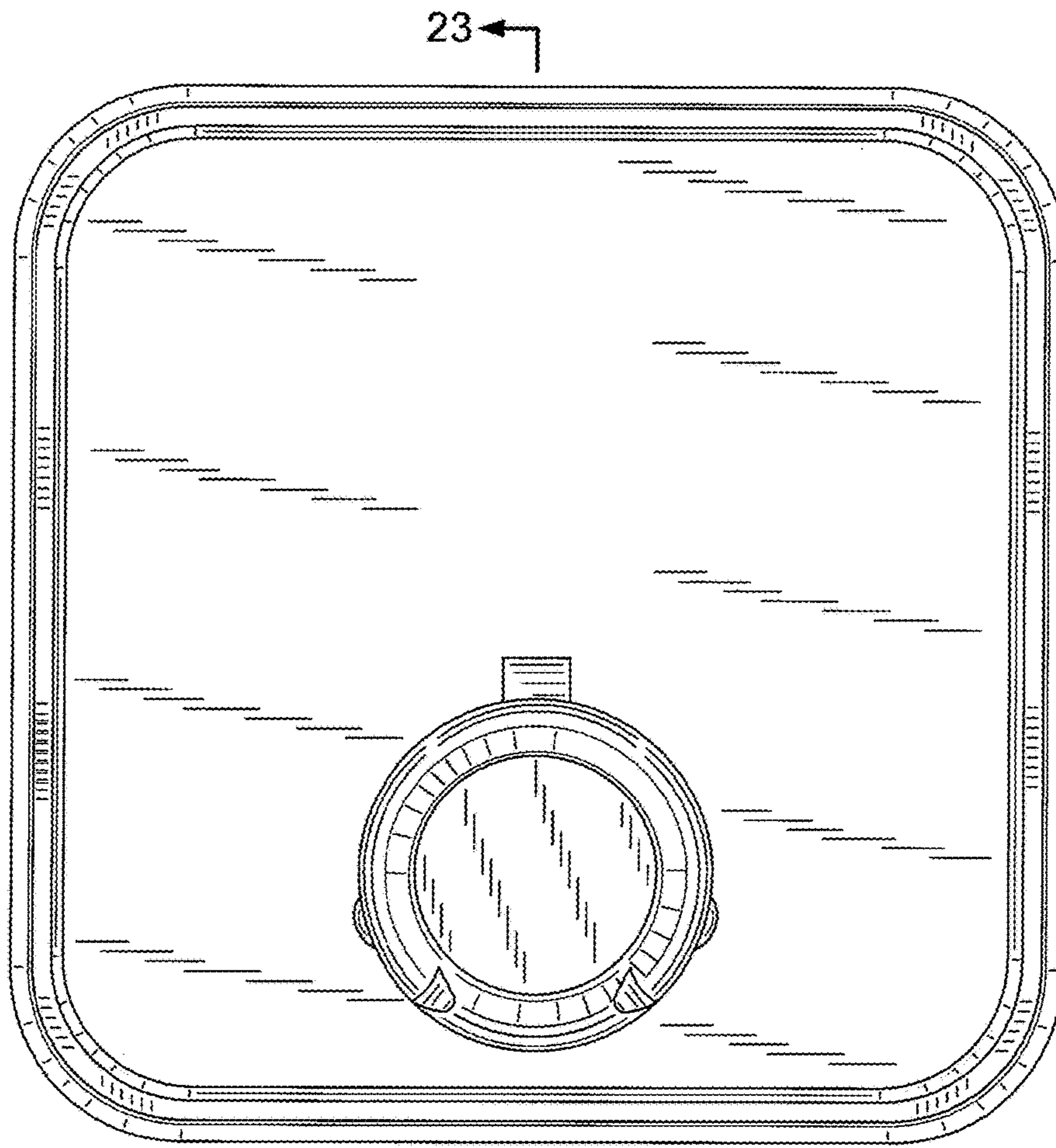


FIG. 16



23
FIG. 17

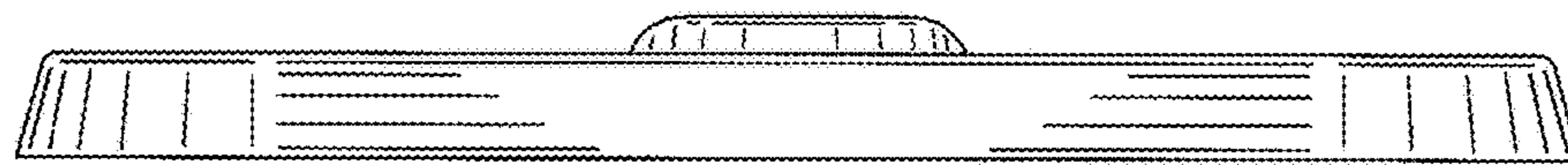


FIG. 18

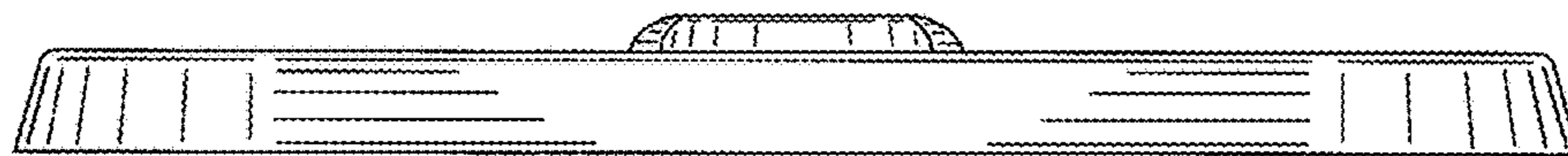


FIG. 19

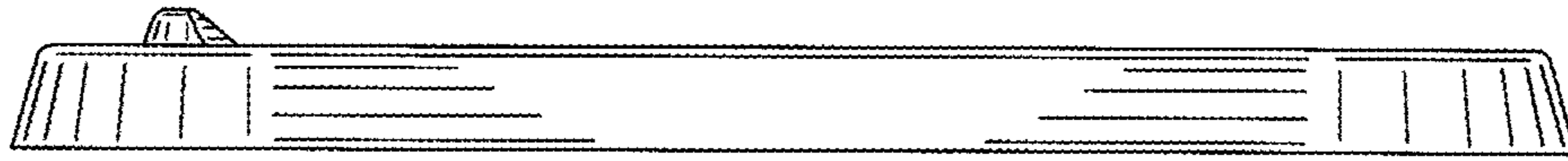


FIG. 20

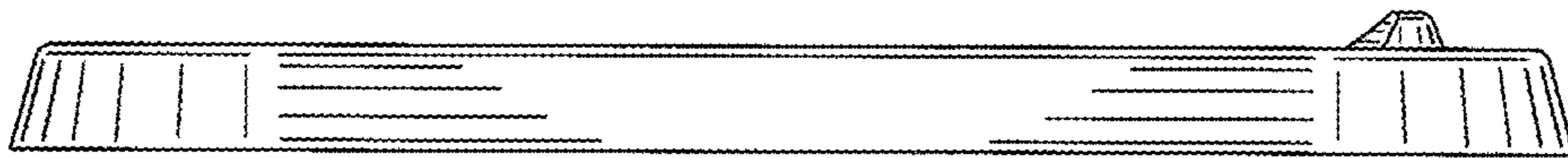


FIG. 21

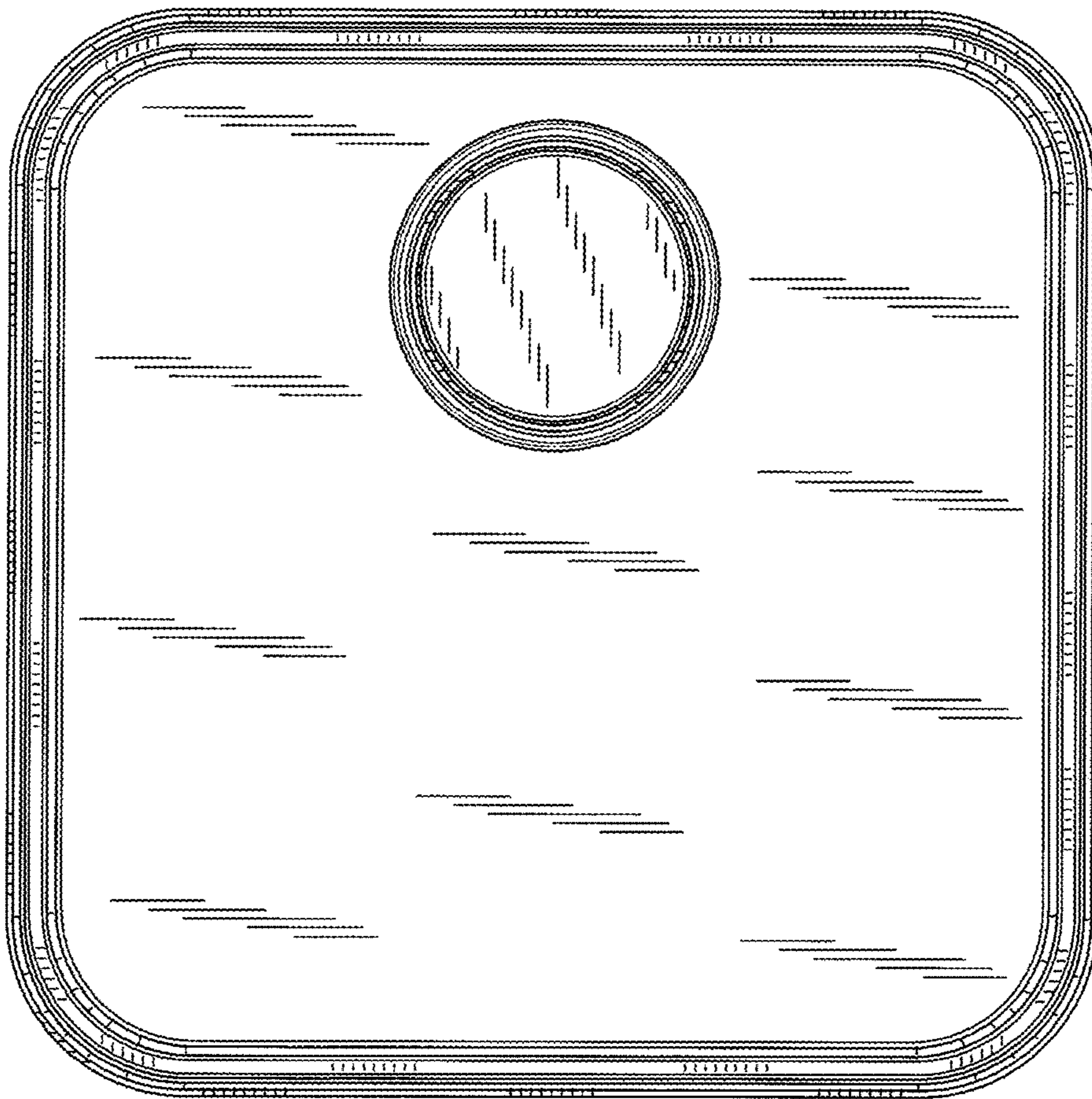


FIG. 22



FIG. 23

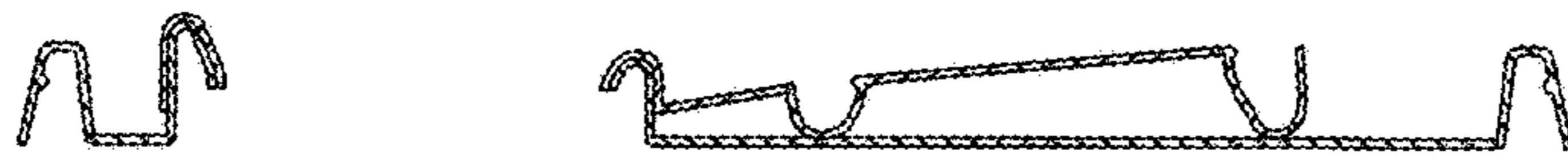


FIG. 24