



US00D810565S

(12) **United States Design Patent**
Johnson et al.

(10) **Patent No.:** **US D810,565 S**
(45) **Date of Patent:** **** Feb. 20, 2018**

(54) **FLEXIBLE DISPENSING NOZZLE**

FOREIGN PATENT DOCUMENTS

(71) Applicant: **Trade Fixtures, LLC**, Little Rock, AR (US)

EM 003381557-0001 * 9/2016
EM 003381557-0002 * 9/2016

(72) Inventors: **Scott Johnson**, Little Rock, AR (US);
Ronald Brundick, Roland, AR (US);
John Clayton Odom, Benton, AR (US);
Pranav Bhat, Bangalore (IN);
Shaji Kulangara Veettil, Little Rock, AR (US);
Ashok Dyavarasegowda, Bangalore (IN)

Primary Examiner — Michael A. Pratt
Assistant Examiner — Wendy L Arminio

(74) *Attorney, Agent, or Firm* — James R. Eley; Ronald J. Koch; Eley Law Firm Co LPA

(73) Assignee: **TRADE FIXTURES, LLC**, Little Rock, AR (US)

(57) **CLAIM**

The ornamental design for a flexible dispensing nozzle, as shown and described.

(**) Term: **15 Years**

DESCRIPTION

(21) Appl. No.: **29/577,721**

(22) Filed: **Sep. 15, 2016**

(51) **LOC (11) Cl.** **09-07**

(52) **U.S. Cl.**
USPC **D9/447**

(58) **Field of Classification Search**
USPC D9/414, 417, 428, 432, 434, 435,
D9/443-450, 452-456, 499, 682-685;
D7/387, 392, 392.1, 393, 396,
D7/396.1-396.4, 398, 401.1, 507,
D7/509-511, 538, 900; D3/202, 294,
D3/318, 321; D28/91.1
CPC .. A61J 1/00; A61J 1/1412; B65D 1/00; B65D
1/02; B65D 1/10; B65D 1/46; B65D
2585/56; B65D 2585/545; B65D 41/00;
B65D 41/38; B65D 41/56; B65D 41/62;

FIG. 1 is a front perspective view of a flexible dispensing nozzle showing the design of the present invention; FIG. 2 is a rear perspective view of the flexible dispensing nozzle of FIG. 1; FIG. 3 is a top view of the flexible dispensing nozzle of FIG. 1; FIG. 4 is a bottom view of the flexible dispensing nozzle of FIG. 1; FIG. 5 is a front view of the flexible dispensing nozzle of FIG. 1; FIG. 6 is a rear view of the flexible dispensing nozzle of FIG. 1; FIG. 7 is a left side view of the flexible dispensing nozzle of FIG. 1; FIG. 8 is a right side view of the flexible dispensing nozzle of FIG. 1; FIG. 9 is another front perspective view of the flexible dispensing nozzle of FIG. 1; and, FIG. 10 is another rear perspective view of the flexible dispensing nozzle of FIG. 1. The broken lines in FIGS. 9 and 10 showing a discharge cover depict environment included to show the flexible dispensing nozzle in a position of use and form no part of the claimed design.

(Continued)

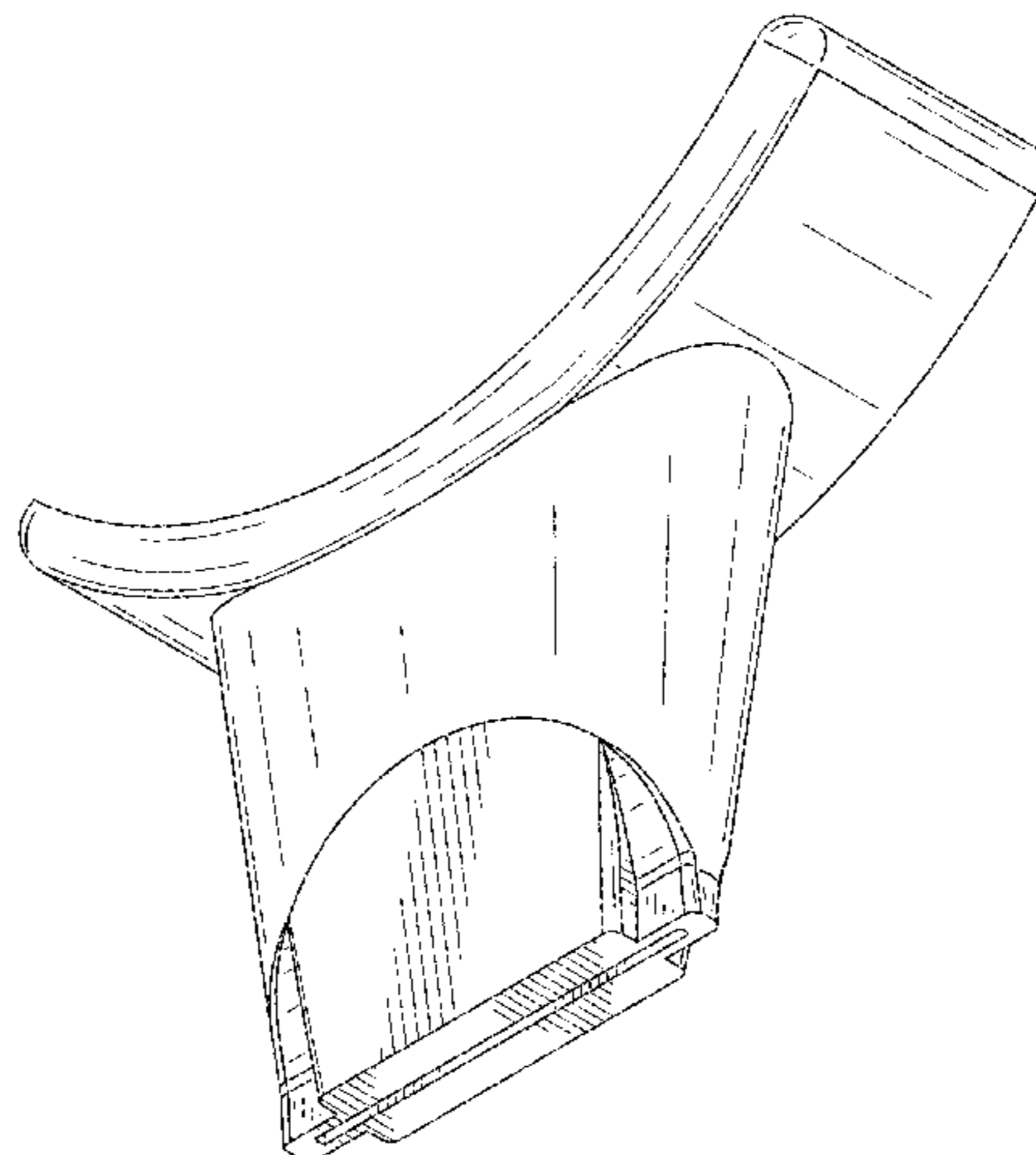
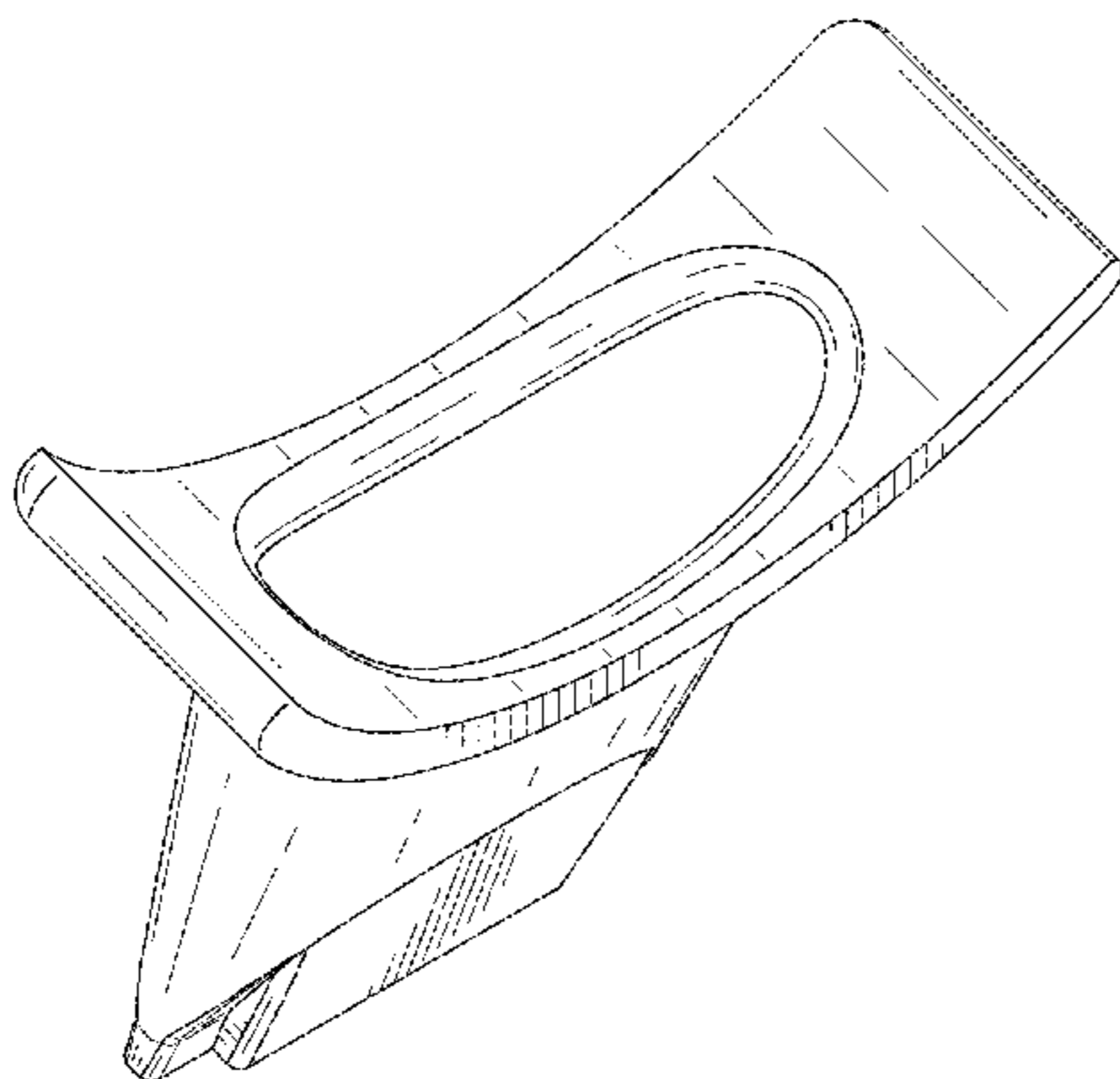
(56) **References Cited**

U.S. PATENT DOCUMENTS

D136,098 S * 8/1943 Hartman, Sr. 222/575
2,550,132 A * 4/1951 Woods B65D 47/2031
222/490

(Continued)

1 Claim, 10 Drawing Sheets



US D810,565 S

Page 2

(58) **Field of Classification Search**

CPC B65D 47/00; B65D 47/06; B65D 47/08;
B65D 2543/00046; B65D 2543/00092;
B65D 2543/00296; B65D 5/46; B65D
2251/00

See application file for complete search history.

(56) **References Cited**

U.S. PATENT DOCUMENTS

D179,333 S * 11/1956 Tupper D9/447
2,816,548 A * 12/1957 Tupper A61J 11/00
215/11.1
D219,900 S * 2/1971 Van Lelyveld D28/51
D264,053 S * 4/1982 Ma D9/442
D272,468 S * 1/1984 Bulgarelli D23/250
D292,672 S * 11/1987 Duell D28/7
D308,886 S * 6/1990 Aoyama D18/43
D333,788 S * 3/1993 Geschwender D9/435
5,409,144 A 4/1995 Brown
D398,813 S * 9/1998 Franzese D7/396.1
D399,601 S * 10/1998 Desnos A45D 34/04
D28/7
5,890,621 A * 4/1999 Bachman A47G 19/2272
215/11.4
5,902,060 A * 5/1999 Rodriguez A45D 26/0014
220/784

6,305,584 B1 * 10/2001 Dobobrov B65D 47/12
220/603
D521,863 S * 5/2006 Davis D9/447
7,226,230 B2 6/2007 Liberatore
7,314,328 B2 1/2008 Liberatore
D562,625 S * 2/2008 Alikhan D7/392.1
7,325,994 B2 2/2008 Liberatore
D573,462 S * 7/2008 Karam D9/447
7,465,118 B2 12/2008 Liberatore
D591,389 S * 4/2009 Born D23/209
D592,507 S * 5/2009 Wachman D9/443
D627,595 S * 11/2010 Jennings D7/392.1
7,824,123 B2 11/2010 Liberatore
8,016,507 B2 * 9/2011 Wright A45D 34/00
401/266
D716,658 S * 11/2014 Sillince D9/447
D718,132 S * 11/2014 Leventhal D9/448
D729,070 S * 5/2015 Faria D28/76
D786,497 S * 5/2017 Sudlow D27/162
2008/0205971 A1 8/2008 Liberatore
2008/0237278 A1 10/2008 Gaus et al.
2008/0240843 A1 10/2008 Liberatore
2009/0045230 A1 * 2/2009 Liberatore B05C 17/00503
222/566
2009/0218374 A1 * 9/2009 Liberatore B05C 17/00506
222/566
2011/0000939 A1 1/2011 Liberatore
2011/0091590 A1 4/2011 McMahon et al.

* cited by examiner

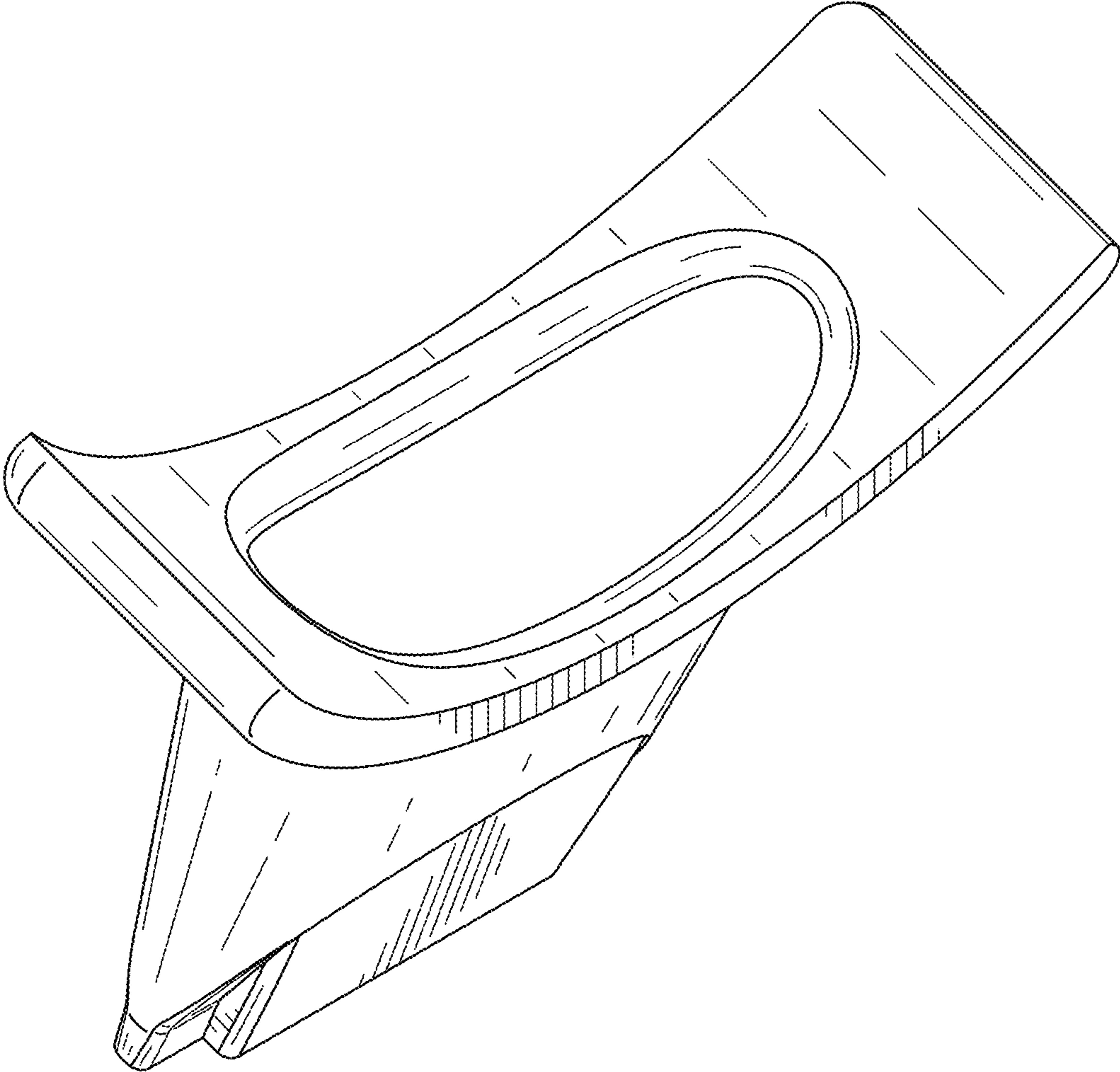


FIG. 1

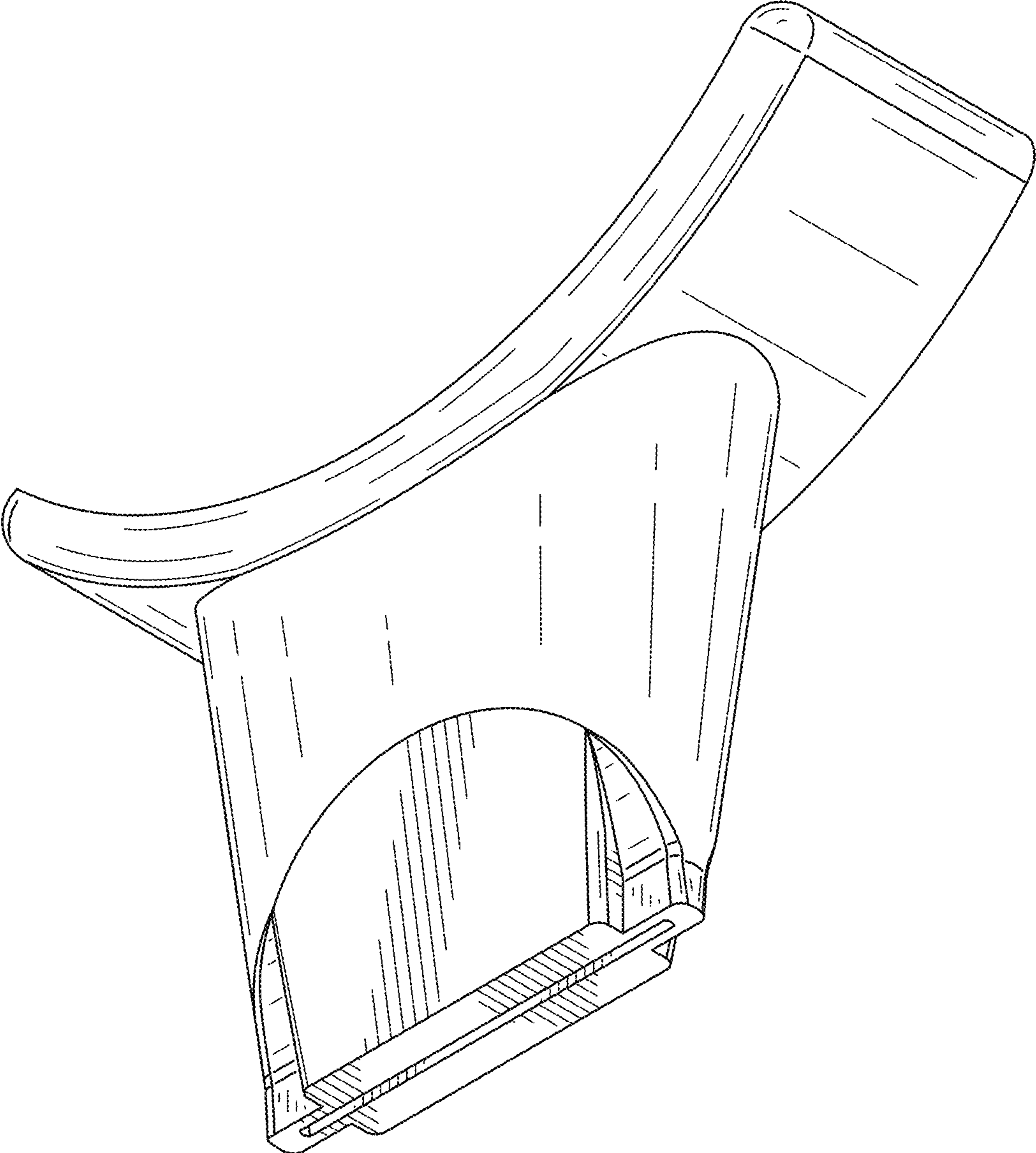


FIG. 2

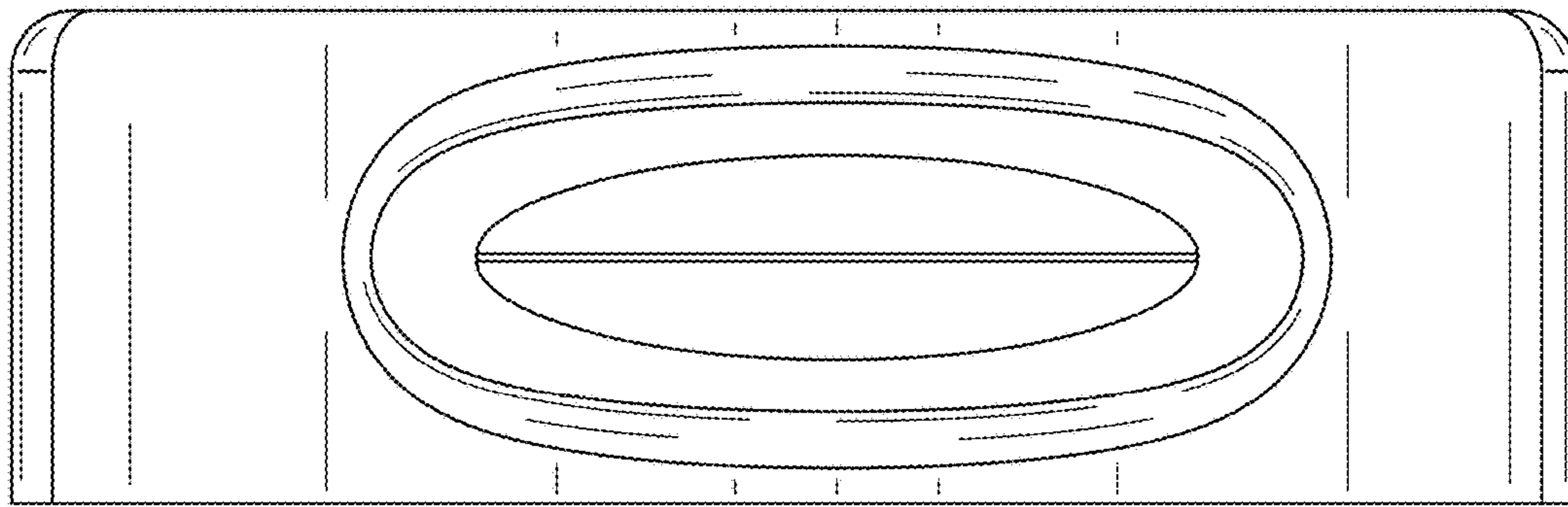


FIG. 3

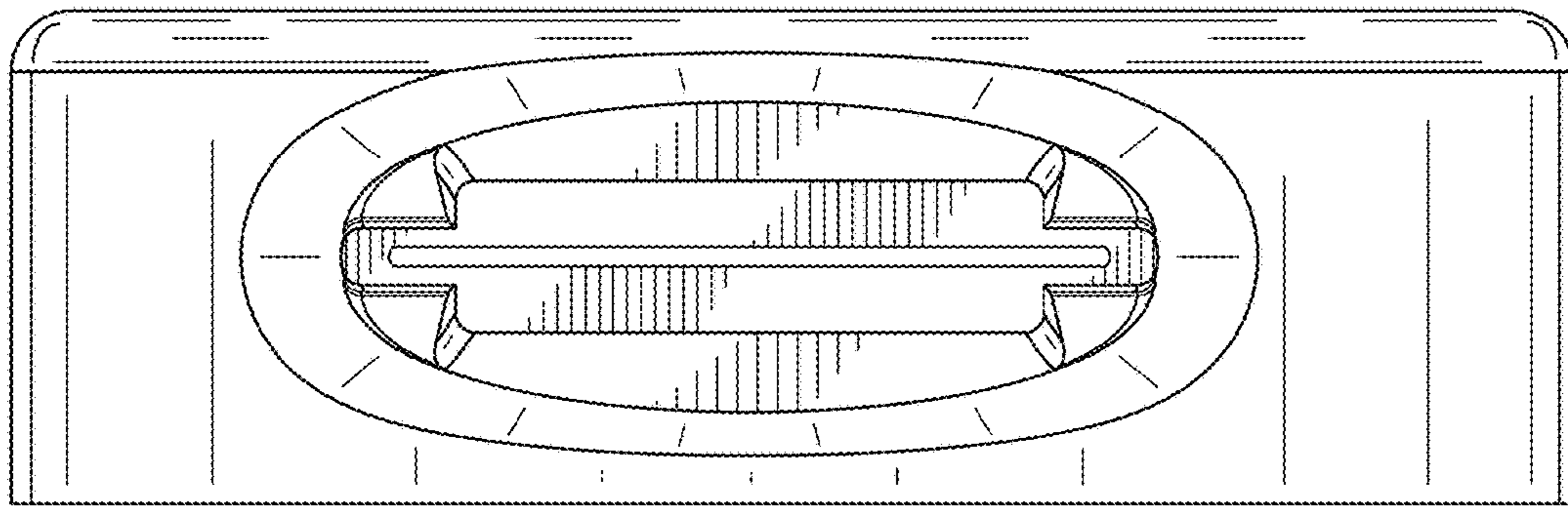


FIG. 4

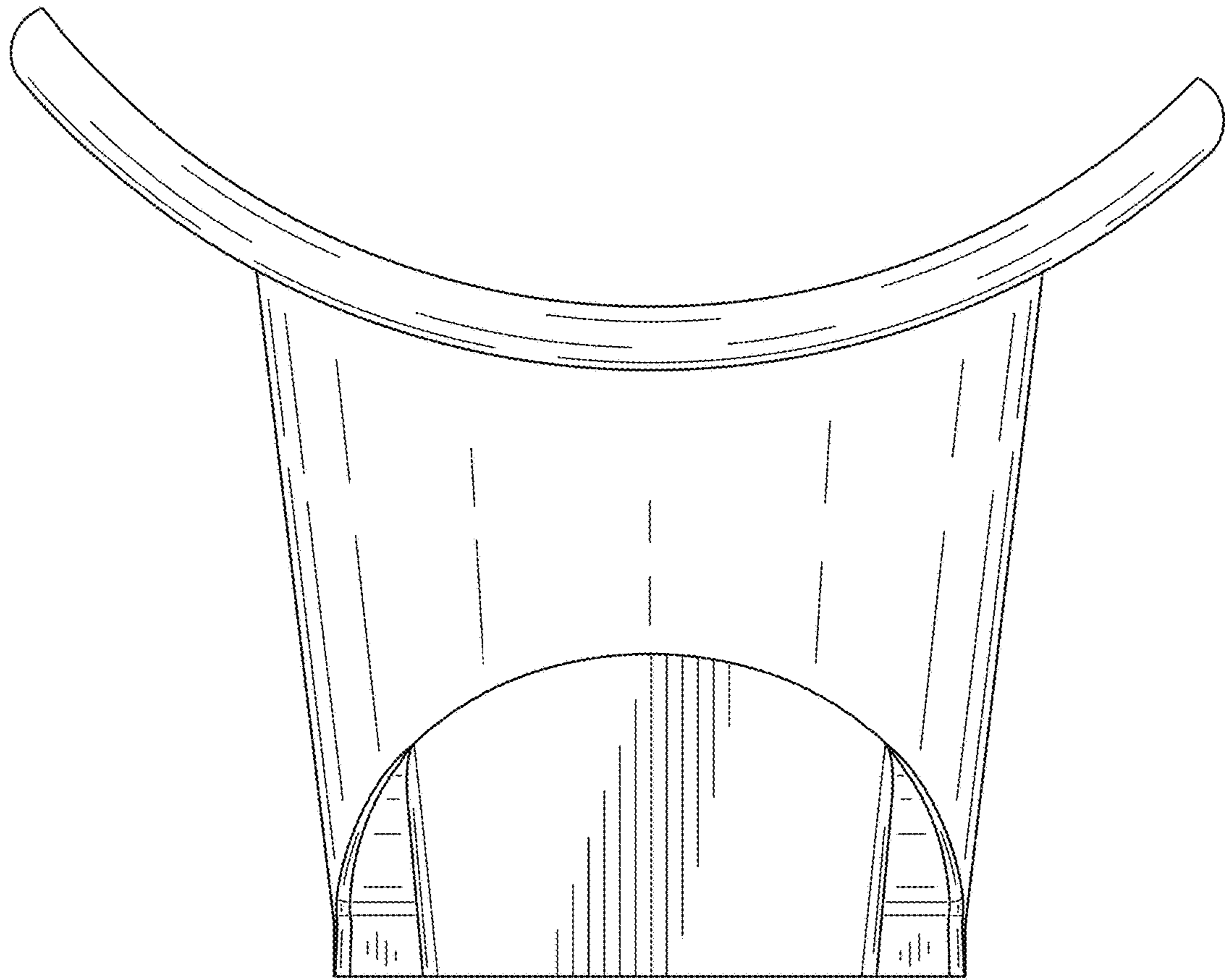


FIG. 5

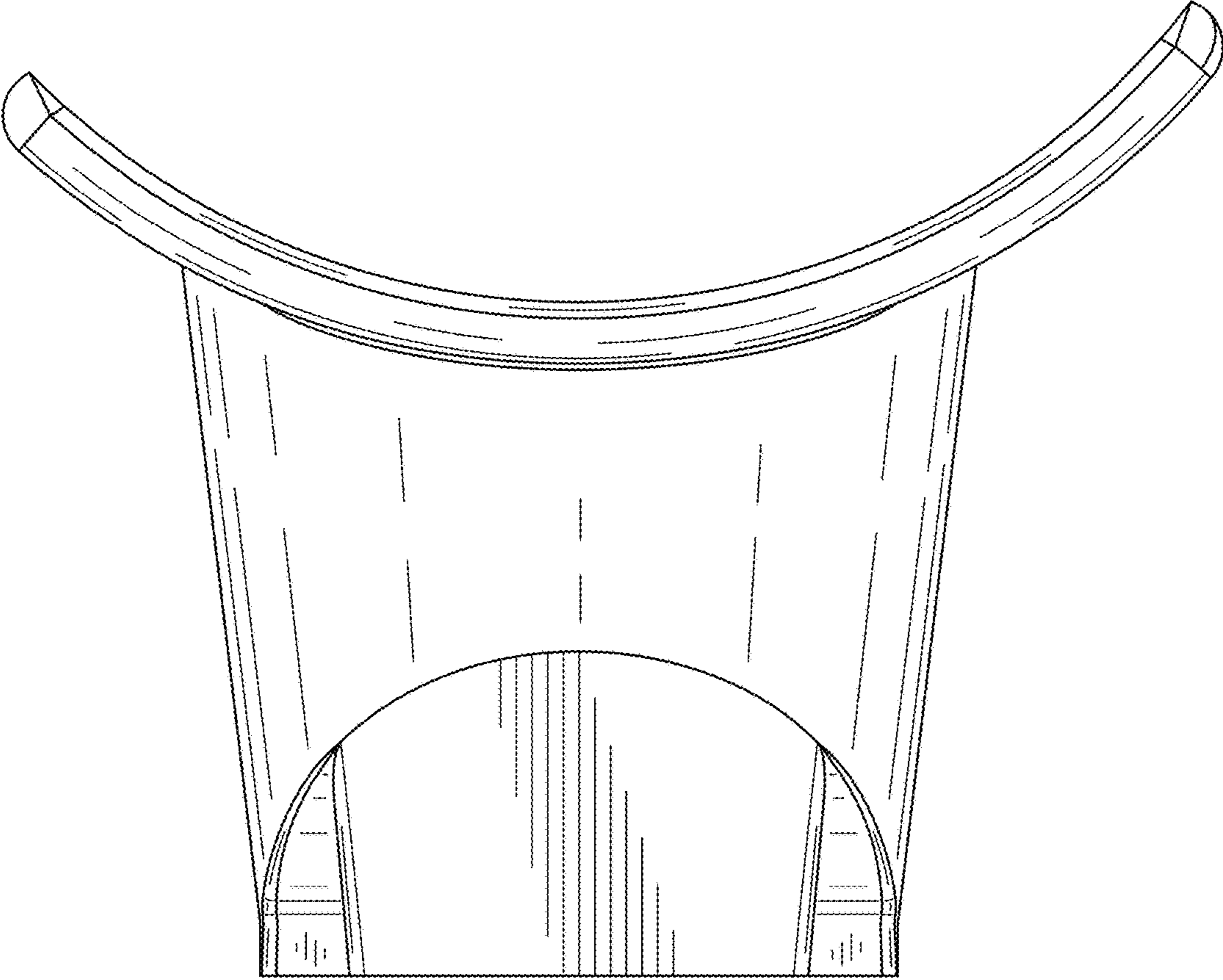


FIG. 6

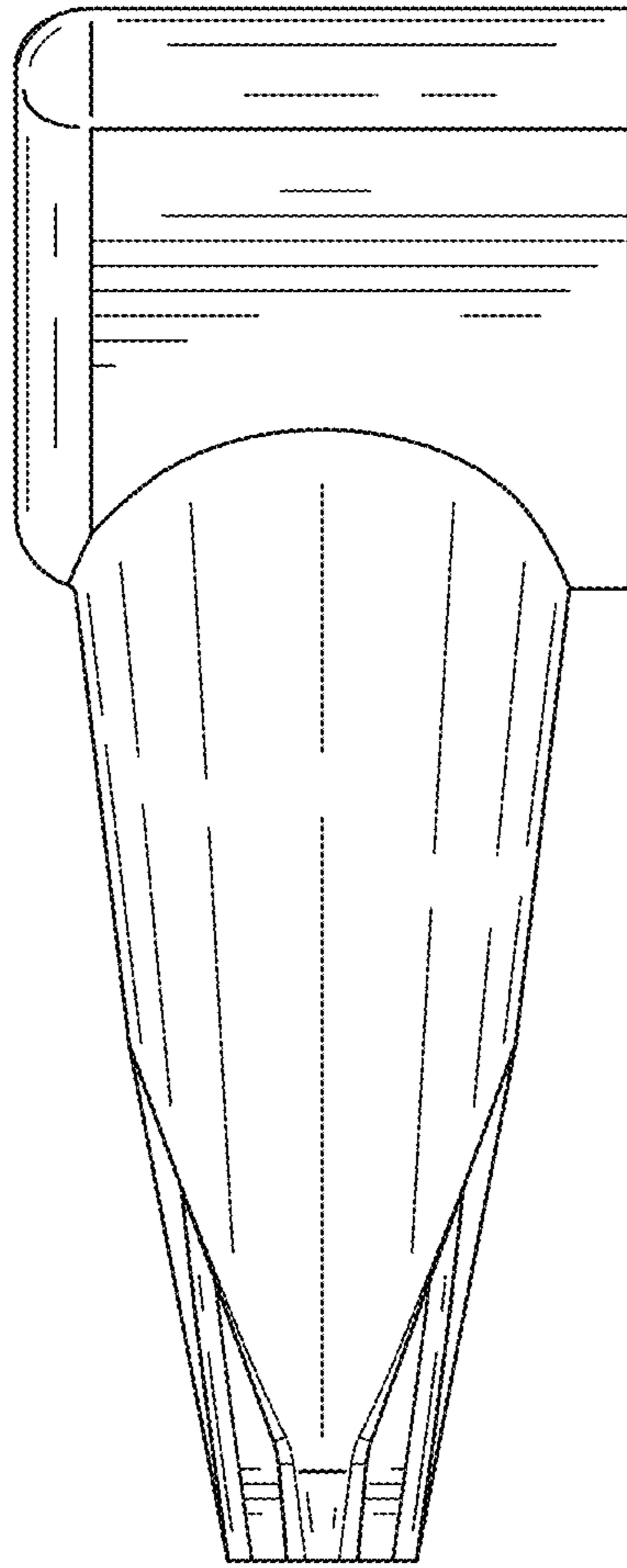


FIG. 7

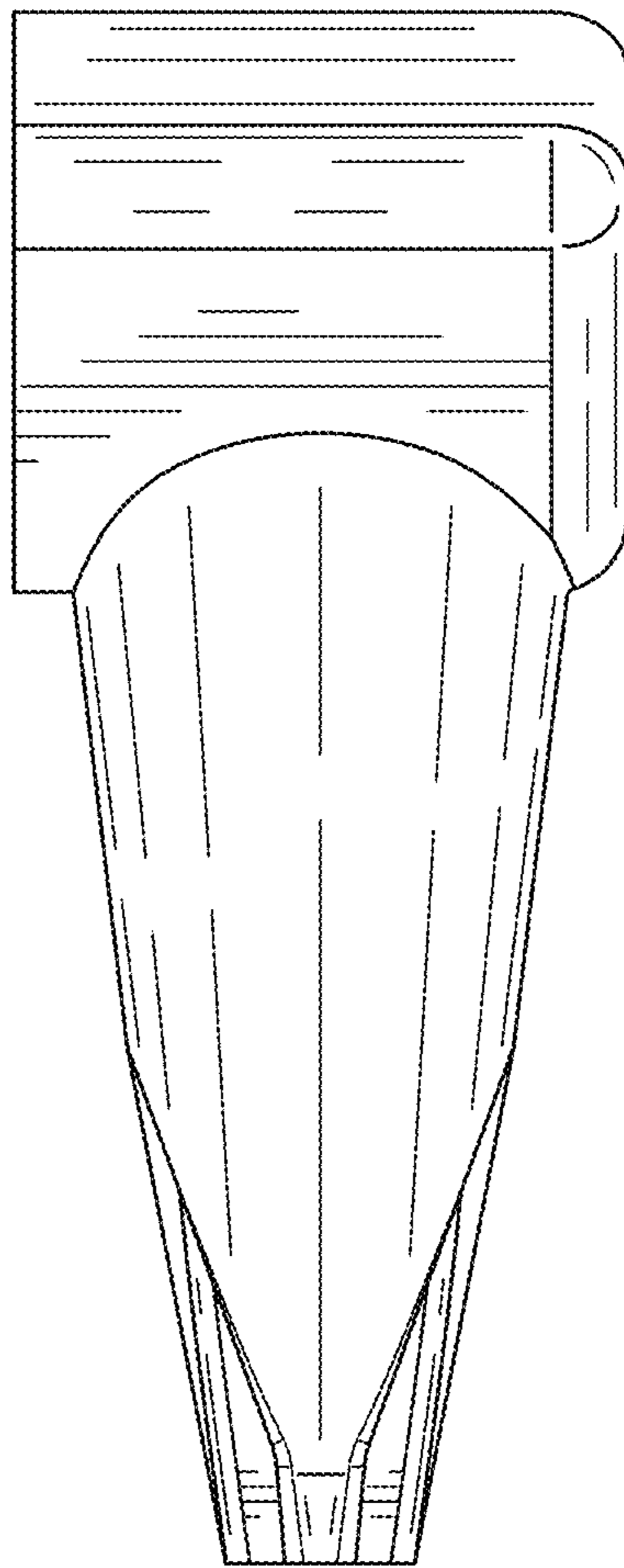


FIG. 8

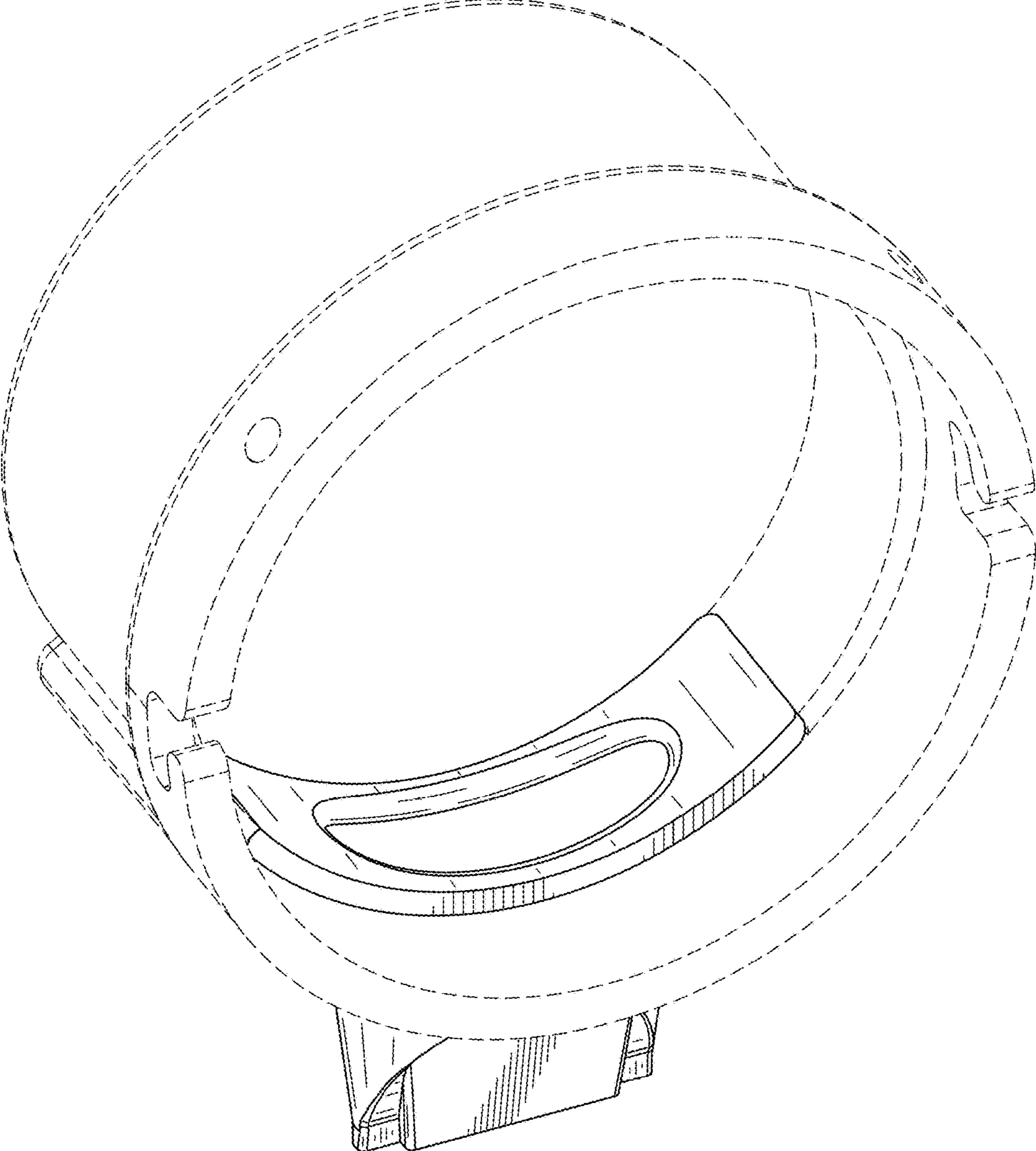


FIG. 9

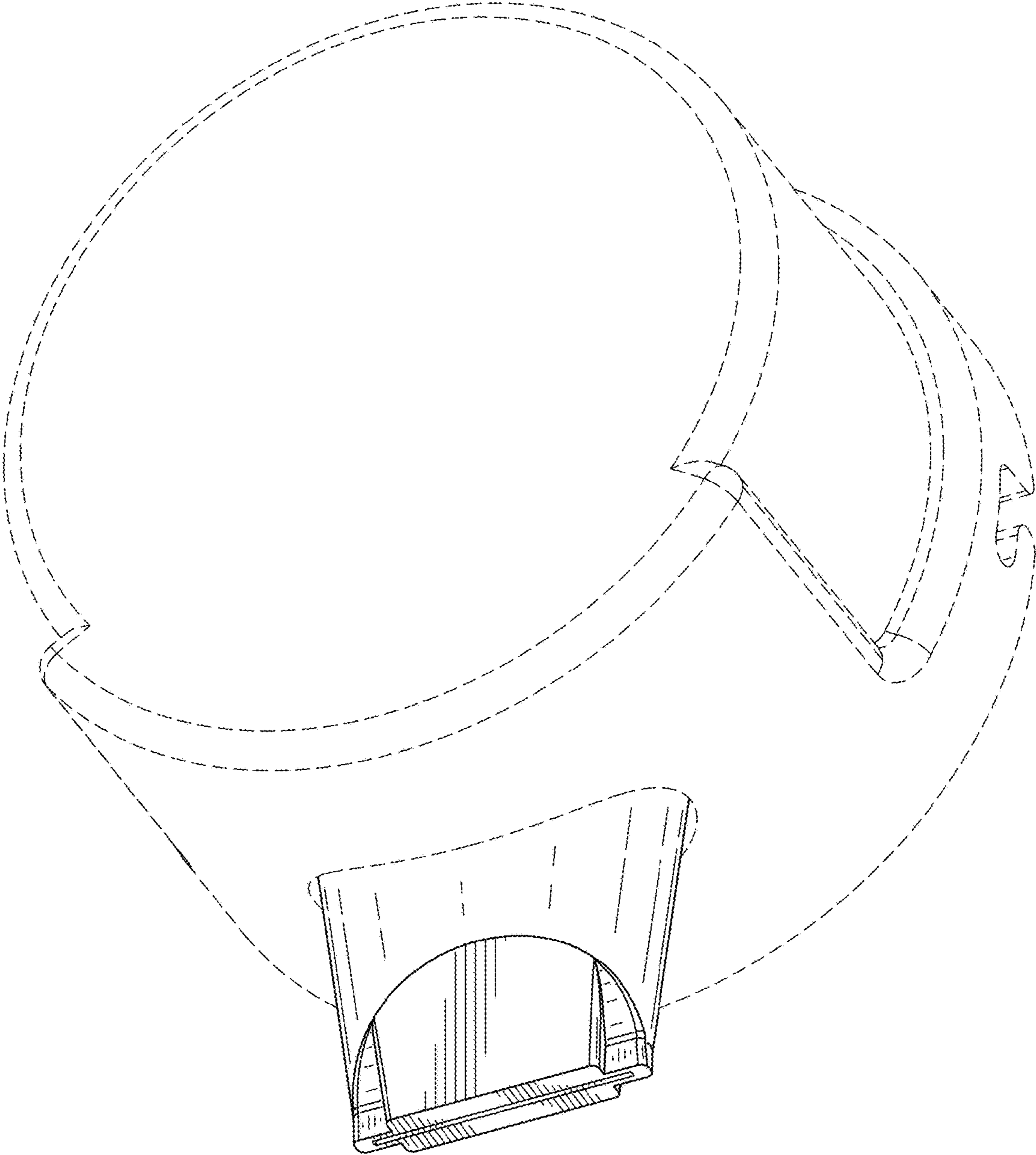


FIG. 10