



US00D810562S

(12) **United States Design Patent** (10) **Patent No.:** **US D810,562 S**
Augustyniak et al. (45) **Date of Patent:** **** Feb. 20, 2018**

(54) **BOX**
(71) Applicant: **Louis Vuitton Malletier**, Paris (FR)
(72) Inventors: **Mathias Augustyniak**, Paris (FR);
Michaël Amzalag, Paris (FR)
(73) Assignee: **LOUIS VUITTON MALLETIER**,
Paris (FR)
(**) Term: **15 Years**
(21) Appl. No.: **29/585,344**
(22) Filed: **Nov. 22, 2016**

(30) **Foreign Application Priority Data**
May 27, 2016 (FR) 2016-2788
(51) **LOC (11) Cl.** **09-03**
(52) **U.S. Cl.**
USPC **D9/432**
(58) **Field of Classification Search**
USPC D9/414, 416, 432, 433, 715, 721, 737;
D7/601, 602, 630; D3/201, 205, 206,
D3/273, 274, 276, 290, 291, 294, 295,
D3/298, 299, 300, 302
CPC B65D 5/38; B65D 2215/02; B65D 43/12;
B65D 50/045; B65D 5/728; B65D 11/12;
B65D 2583/0454; B65D 43/20; B65D
51/18; B65D 5/42; B65D 5/4216
See application file for complete search history.

(56) **References Cited**
U.S. PATENT DOCUMENTS
152,022 A * 6/1874 Turner B65D 5/38
206/455
278,526 A * 5/1883 Felbel B65D 5/16
229/122
358,722 A * 3/1887 Betsinger B65D 5/4204
206/772

(Continued)

Primary Examiner — Derrick Holland
Assistant Examiner — Lauren Calve
(74) *Attorney, Agent, or Firm* — Finnegan, Henderson,
Farabow, Garrett & Dunner, LLP

(57) **CLAIM**

The ornamental design for a box, as shown and described.

DESCRIPTION

The patent or application file contains at least one image executed in color. Copies of this patent or patent application publication with color photograph(s) will be provided by the Office upon request and payment of the necessary fee.

FIG. 1 is a front left perspective view of a box shown in a closed configuration showing our new design;

FIG. 2 is a front elevation view thereof;

FIG. 3 is a rear view thereof;

FIG. 4 is a left side view thereof;

FIG. 5 is a right side view thereof;

FIG. 6 is a top plan view thereof;

FIG. 7 is a bottom plan view thereof;

FIG. 8 is a front left perspective view of the box shown in FIGS. 1-7 in a partially-opened configuration;

FIG. 9 is a front elevation view thereof;

FIG. 10 is a rear view thereof;

FIG. 11 is a left side view thereof;

FIG. 12 is a right side view thereof;

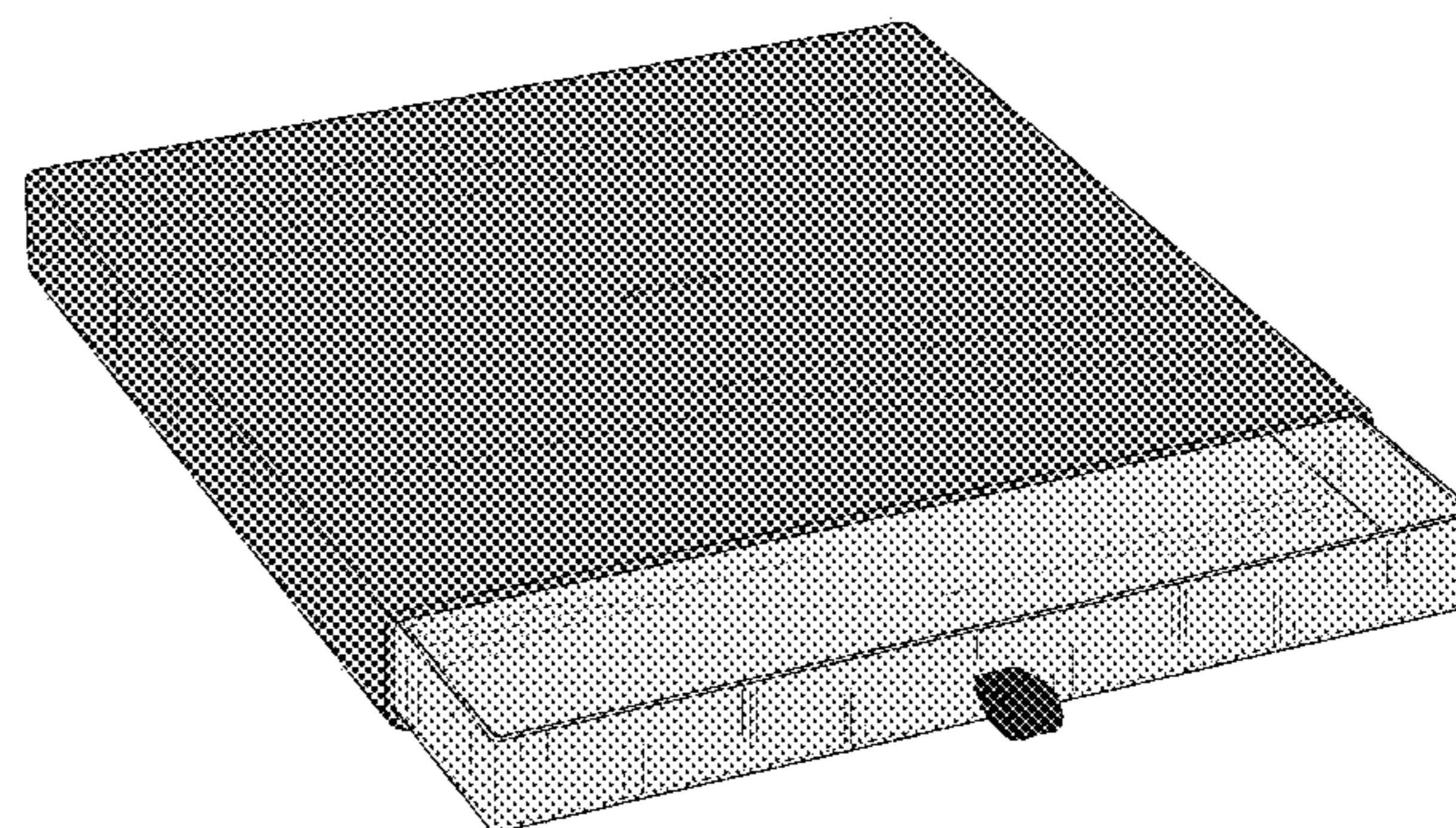
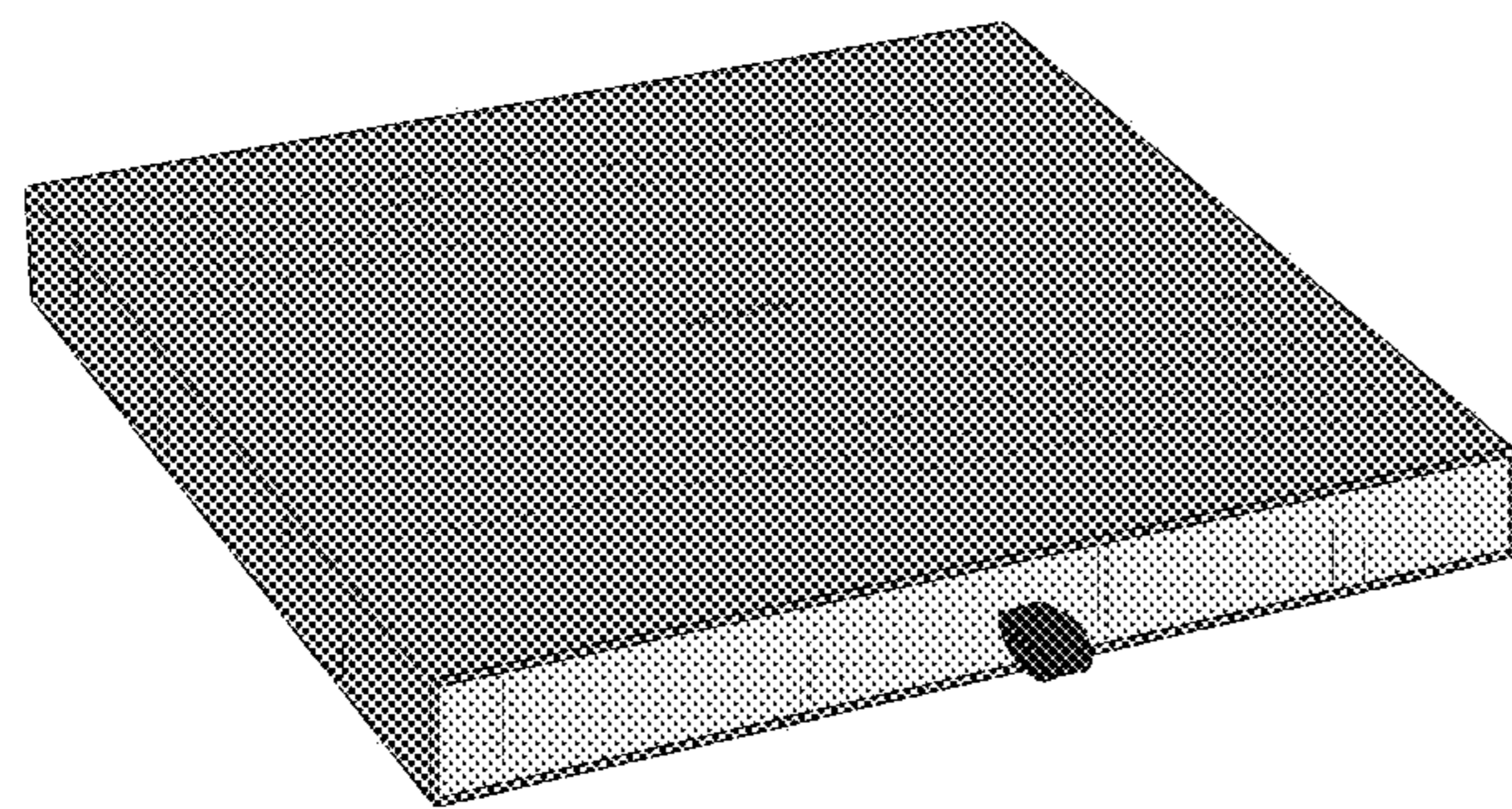
FIG. 13 is a top plan view thereof; and,

FIG. 14 is a bottom plan view thereof.

The interior portion of the box that is not visible in FIGS. 8-14 forms no part of the claimed design.

The “Louis Vuitton” trademark shown on the top of the box in broken lines is a registered trademark of Louis Vuitton Malletier and does not form part of the claimed design.

1 Claim, 14 Drawing Sheets
(14 of 14 Drawing Sheet(s) Filed in Color)



(56)

References Cited

U.S. PATENT DOCUMENTS

1,501,309 A * 7/1924 Burton B65D 5/728
206/308
1,597,652 A * 8/1926 Kadan B65D 5/728
206/308
1,682,449 A * 8/1928 Vest B65D 5/4204
206/772
1,688,983 A * 10/1928 O’Keeffe B65D 5/38
206/499
1,867,426 A * 7/1932 Thompson B41J 29/06
229/125.125
1,928,889 A * 10/1933 Reynolds B65D 5/38
206/254
2,219,034 A * 10/1940 Logan B65D 5/5206
206/45.2
2,231,726 A * 2/1941 Looke, Jr. B65D 5/38
206/353
2,936,944 A * 5/1960 Moore B65D 5/38
229/125.125
2,972,507 A * 2/1961 McCay B41L 1/16
206/215
3,049,224 A * 8/1962 Fredette B65D 11/12
206/532
3,074,611 A * 1/1963 Tolaas B65D 5/38
229/125.125
3,332,600 A * 7/1967 Guernsey B65D 5/38
229/125.125
D211,356 S * 6/1968 Jensen D3/272
3,395,849 A * 8/1968 Gillam B65D 5/38
229/125.125
D222,402 S * 10/1971 Burnhill D9/737

3,650,383 A * 3/1972 Nigro B65D 5/38
206/509
4,009,821 A * 3/1977 Hambleton B65D 5/6658
229/122
D262,943 S * 2/1982 Schadler 294/1.3
4,865,371 A * 9/1989 Egberg E01H 1/1206
15/104.8
D383,064 S * 9/1997 Tsukikawa D9/432
5,836,451 A * 11/1998 Dixon B65D 5/38
206/456
D508,400 S * 8/2005 Scimone D9/422
7,090,079 B2 * 8/2006 Ehrlund B65D 5/38
206/1.5
8,627,974 B2 * 1/2014 Francis E01H 1/1206
119/867
D704,550 S * 5/2014 Mattila D9/432
D723,618 S * 3/2015 Rowe D19/86
D724,941 S * 3/2015 Mattila D9/432
D726,819 S * 4/2015 Botha D19/75
D751,897 S * 3/2016 Barad D9/432
D764,911 S * 8/2016 Glass D9/432
9,682,793 B2 * 6/2017 Magnusson B65D 5/38
2006/0273144 A1 * 12/2006 Chen B65D 15/22
229/122
2007/0039840 A1 * 2/2007 Mu B65D 5/38
206/278
2007/0181458 A1 * 8/2007 Ehrlund B65D 5/38
206/528
2007/0247042 A1 * 10/2007 Yuhara B65D 11/12
312/330.1
2009/0261155 A1 * 10/2009 Wynalda, Jr. B65D 5/38
229/245
2017/0217658 A1 * 8/2017 Whitehurst B65D 5/38

* cited by examiner

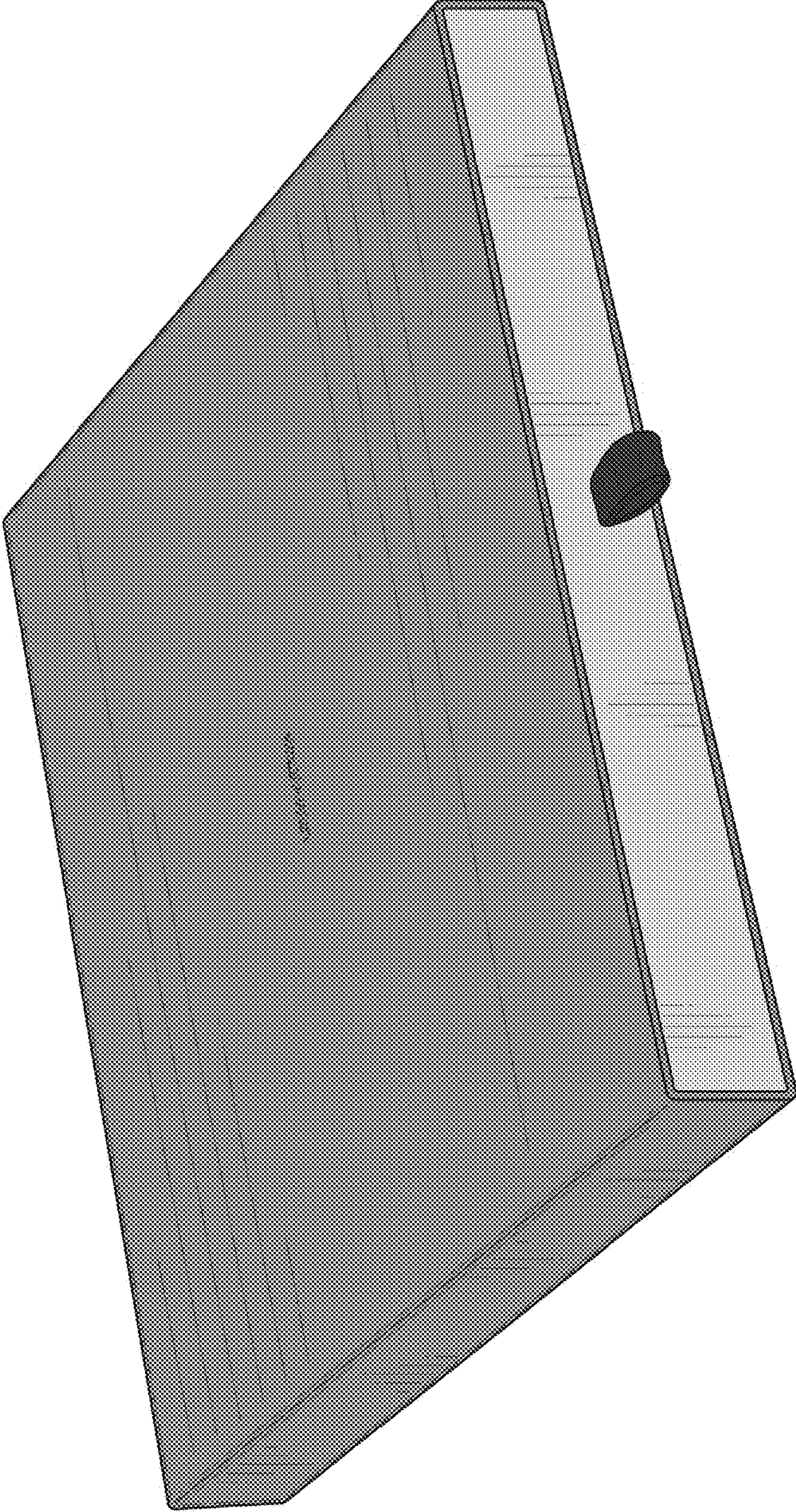


FIG. 1

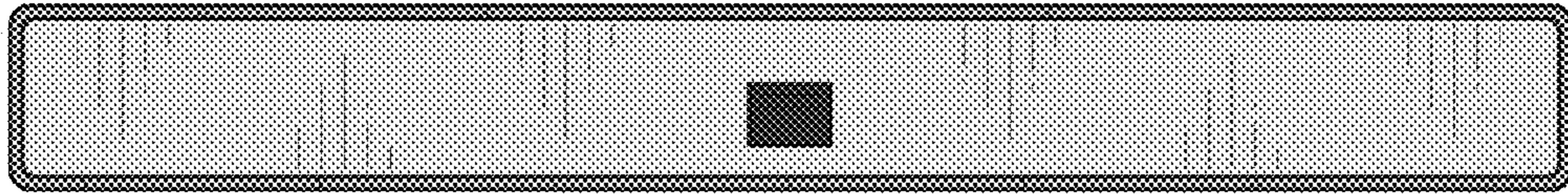


FIG. 2

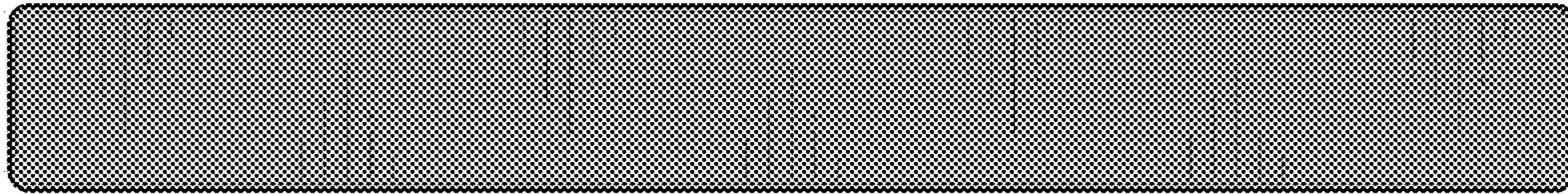


FIG. 3

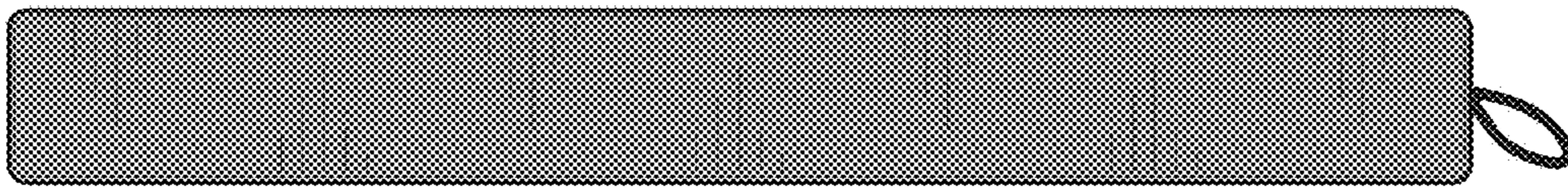


FIG. 4

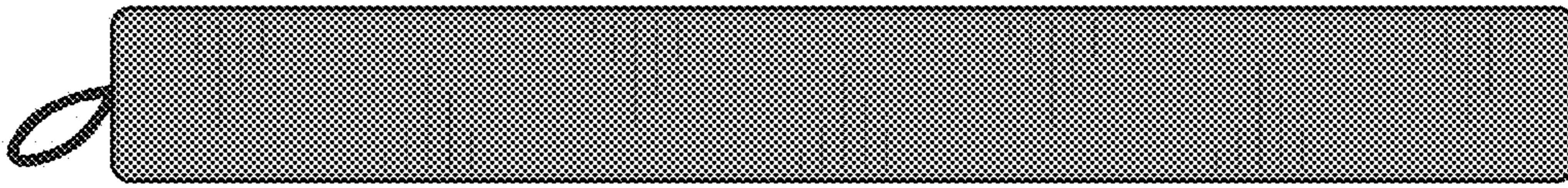


FIG. 5

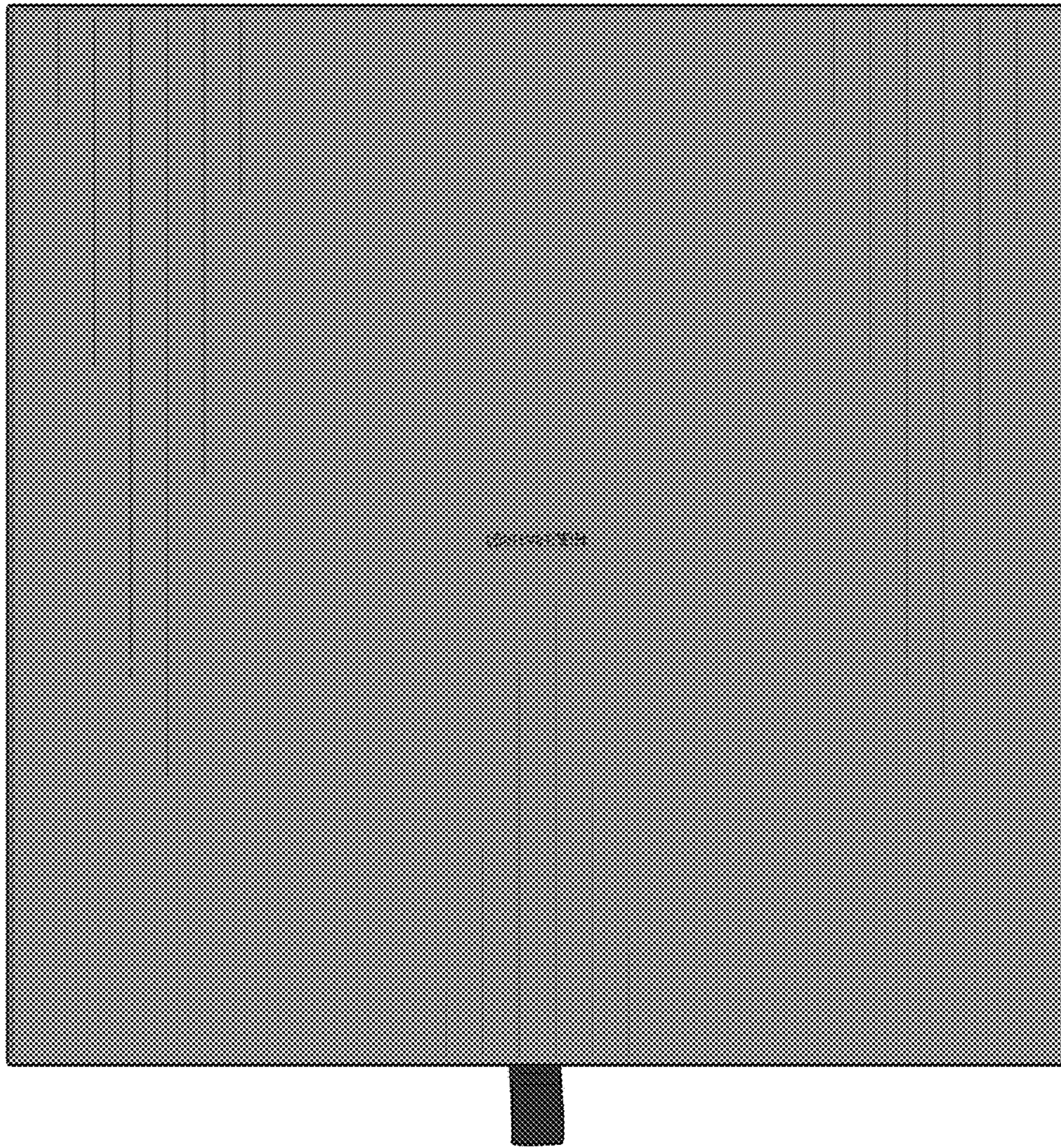


FIG. 6

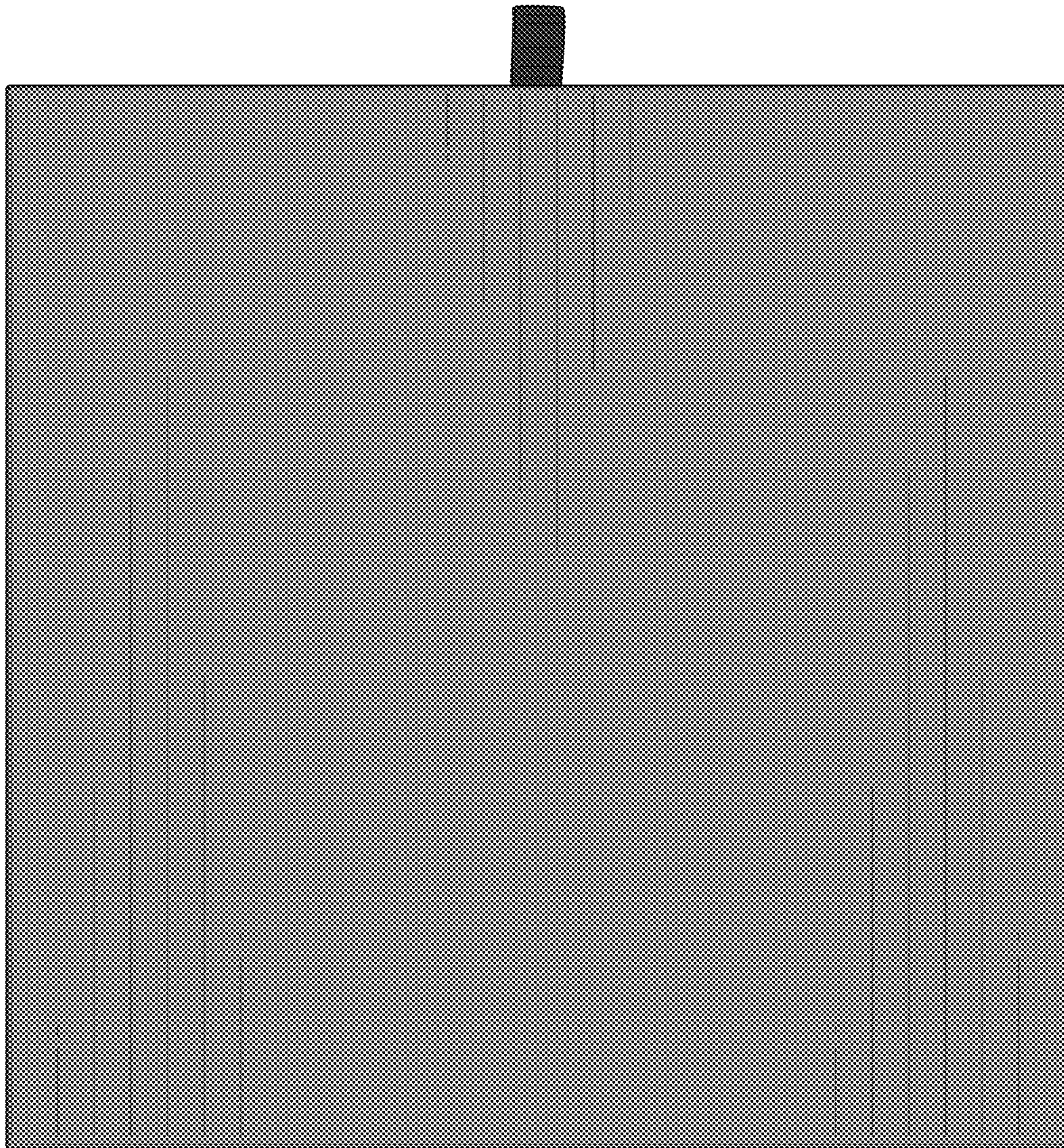


FIG. 7

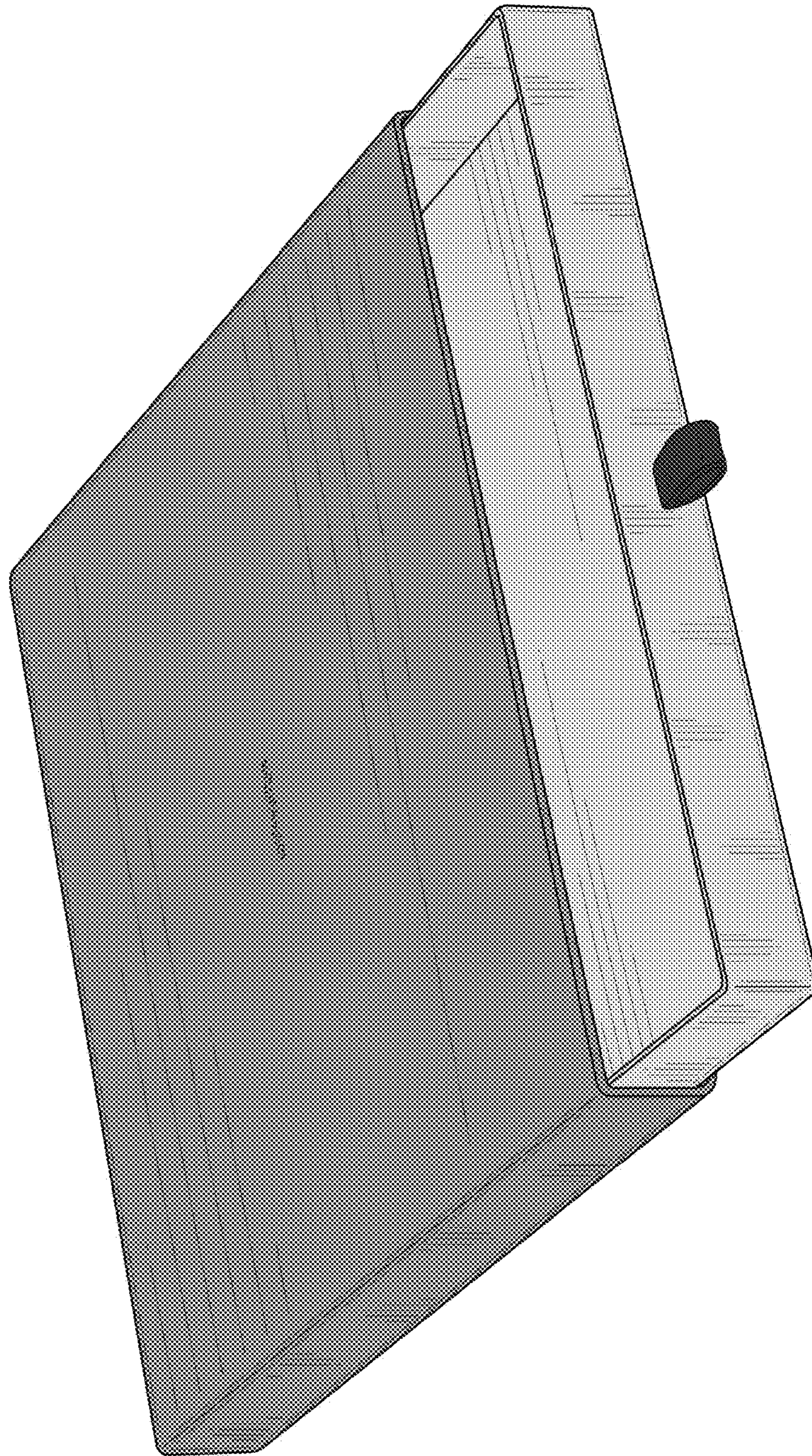


FIG. 8

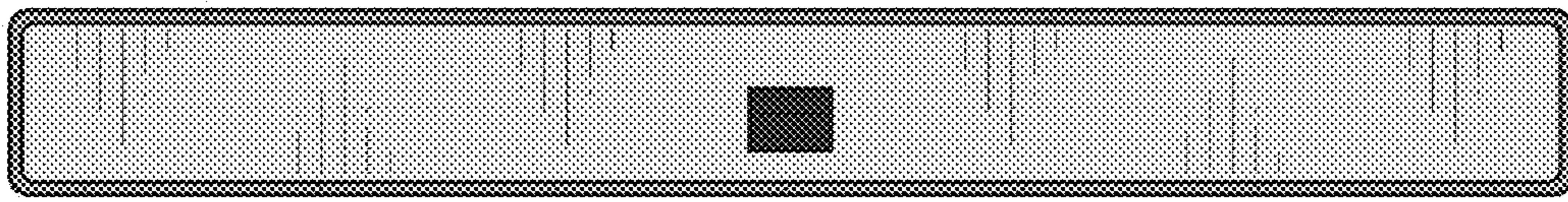


FIG. 9

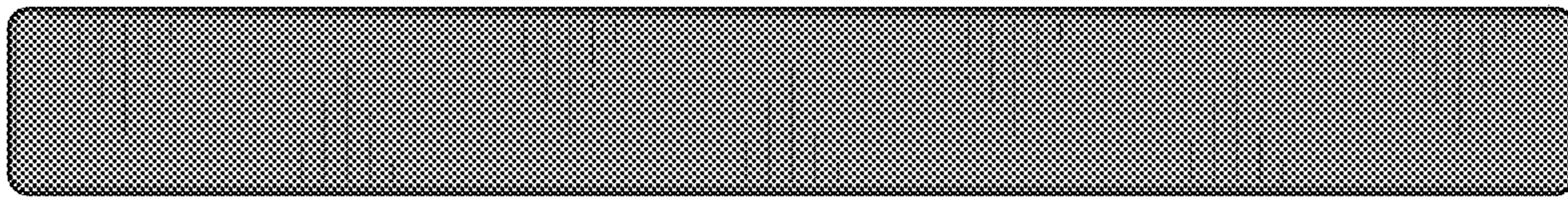


FIG. 10

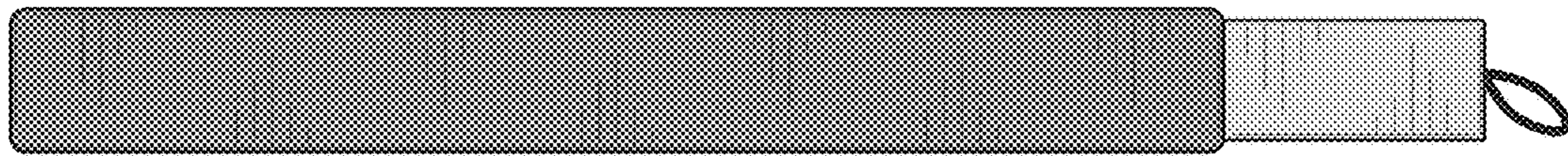


FIG. 11

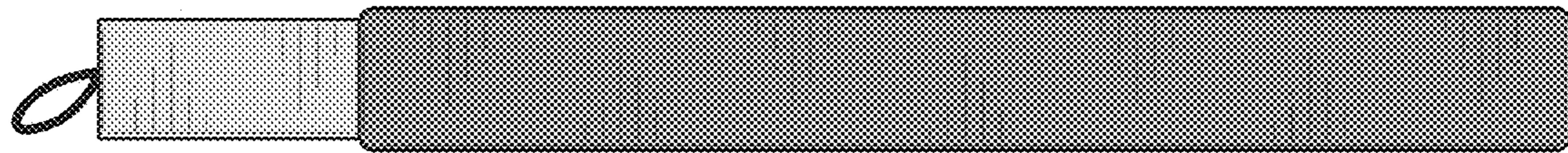


FIG. 12

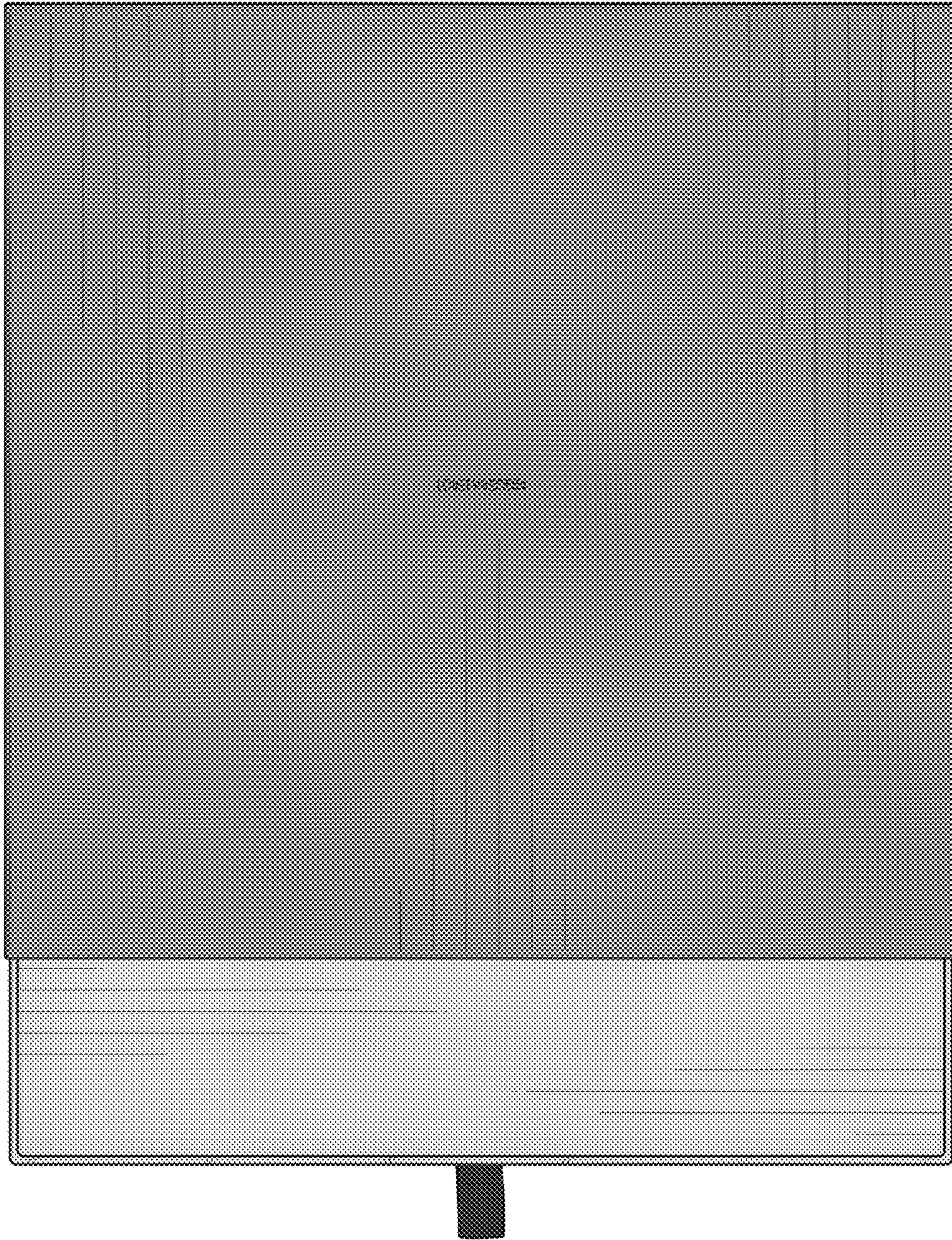


FIG. 13

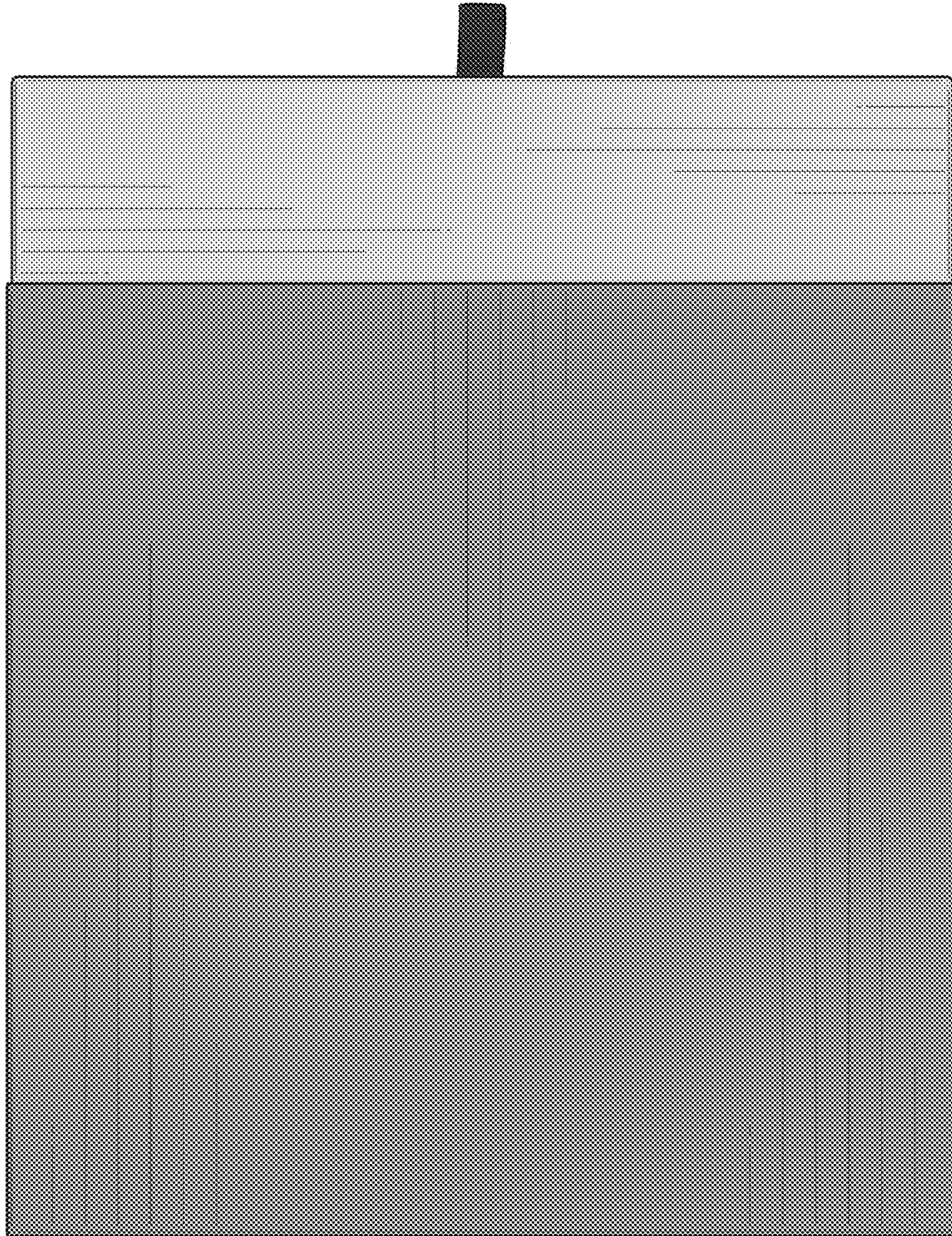


FIG. 14