



US00D810560S

(12) **United States Design Patent** (10) **Patent No.:** **US D810,560 S**
Yuan (45) **Date of Patent:** **** Feb. 20, 2018**

(54) **PACKING CASE FOR LOCK DEVICES**

(71) Applicant: **TAIWAN FU HSING INDUSTRIAL CO., LTD.**, Kaohsiung (TW)

(72) Inventor: **Shih-Ting Yuan**, Kaohsiung (TW)

(73) Assignee: **TAIWAN FU HSING INDUSTRIAL CO., LTD.**, Kaohsiung (TW)

(**) Term: **15 Years**

(21) Appl. No.: **29/583,775**

(22) Filed: **Nov. 8, 2016**

(30) **Foreign Application Priority Data**

Sep. 12, 2016 (TW) 105305379

(51) **LOC (11) Cl.** **09-03**

(52) **U.S. Cl.**
USPC **D9/424**; D9/415

(58) **Field of Classification Search**
USPC D9/415, 418, 424, 732
CPC B65D 75/327; B65D 75/36; B65D 75/366;
B65D 75/367; B65D 75/32; B65D
2575/3245; B65D 75/326; B65D
2575/366; B65D 2585/88; B65D 75/322;
B65D 77/2032; B65D 5/4204; B65D
75/22; B65D 77/0413; B65D 5/4208;
B65D 77/02; B65D 25/22; B65D
75/5833; B65D 85/00; B65D 2543/00194;
B65D 2301/20; B65D 2575/3218; B65D
73/0007; B65D 73/0042

See application file for complete search history.

(56) **References Cited**

U.S. PATENT DOCUMENTS

D233,581 S * 11/1974 Bridges et al. D7/552.2
D262,865 S * 2/1982 Lecordier D9/415
D329,017 S * 9/1992 Goodale D9/415

D373,527 S * 9/1996 Phillips D9/415
D396,632 S * 8/1998 Lee D9/415
D441,286 S 5/2001 Clarke
D463,978 S 10/2002 DiMartino
D506,130 S * 6/2005 Metaxatos D9/415
D629,680 S * 12/2010 Sondors D9/418
D703,544 S * 4/2014 Limback D9/652
D746,130 S * 12/2015 Johnson D9/418
D747,963 S 1/2016 Scalise
D767,987 S * 10/2016 Wu D9/415
2013/0062240 A1 * 3/2013 Trontel B65D 73/0064
206/459.5
2014/0209497 A1 * 7/2014 Jacobus B65D 75/368
206/468
2015/0217920 A1 * 8/2015 Madron B65D 75/30
53/467

FOREIGN PATENT DOCUMENTS

JP D1533048 9/2015
JP D1558790 9/2016
KR 300263350 9/2000

* cited by examiner

Primary Examiner — Lauren R Calve

(74) *Attorney, Agent, or Firm* — Winston Hsu

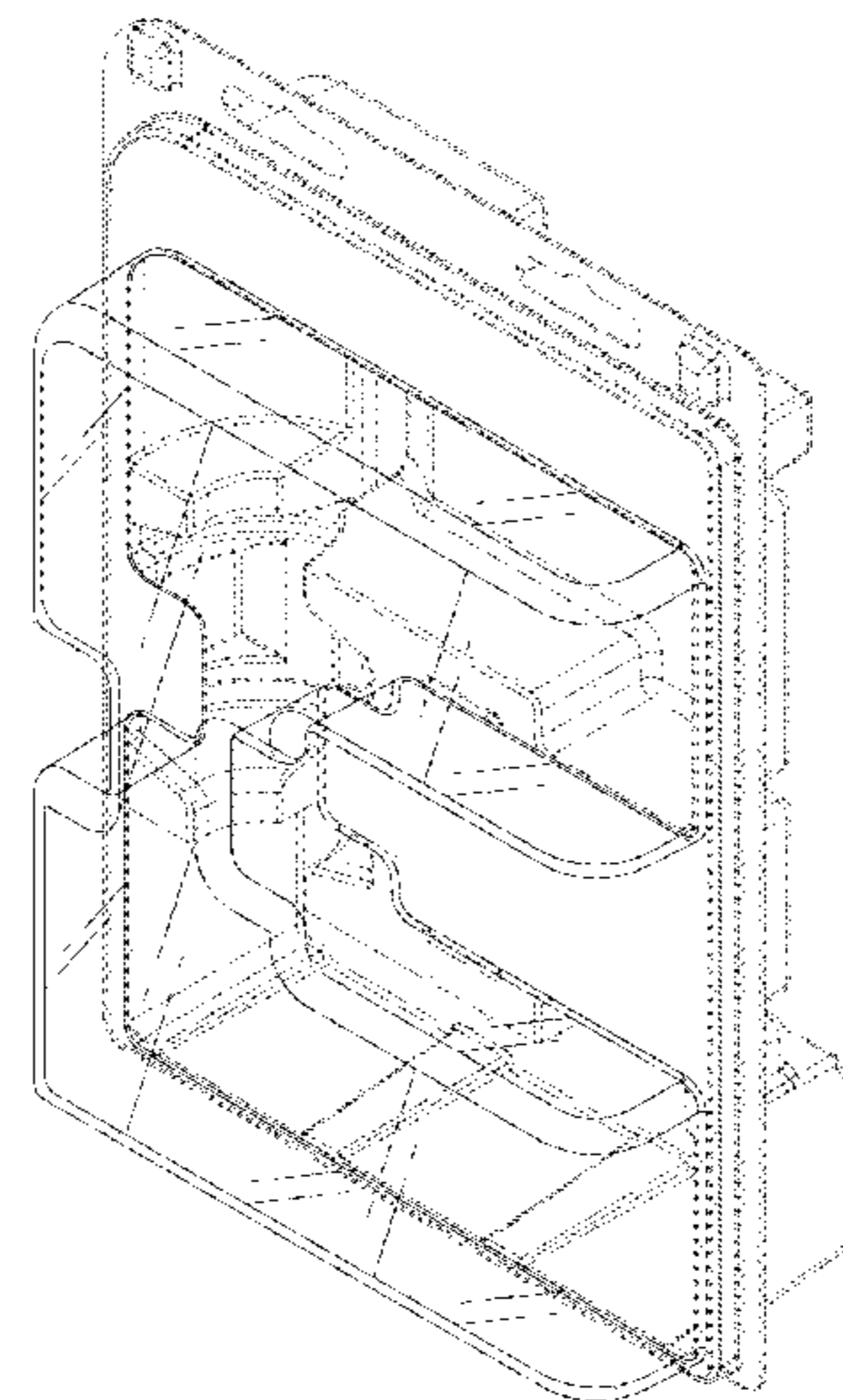
(57) **CLAIM**

The ornamental design for a packing case for lock devices, as shown and described.

DESCRIPTION

FIG. 1 is a front, right, top perspective view of a packing case for lock devices showing my new design; FIG. 2 is a front elevational view thereof; FIG. 3 is a rear elevational view thereof; FIG. 4 is a left side elevational view thereof; FIG. 5 is a right side elevational view thereof; FIG. 6 is a top plan view thereof; and, FIG. 7 is a bottom plan view thereof. The broken lines shown represent unclaimed subject matter and form no part of the claimed design.

1 Claim, 7 Drawing Sheets



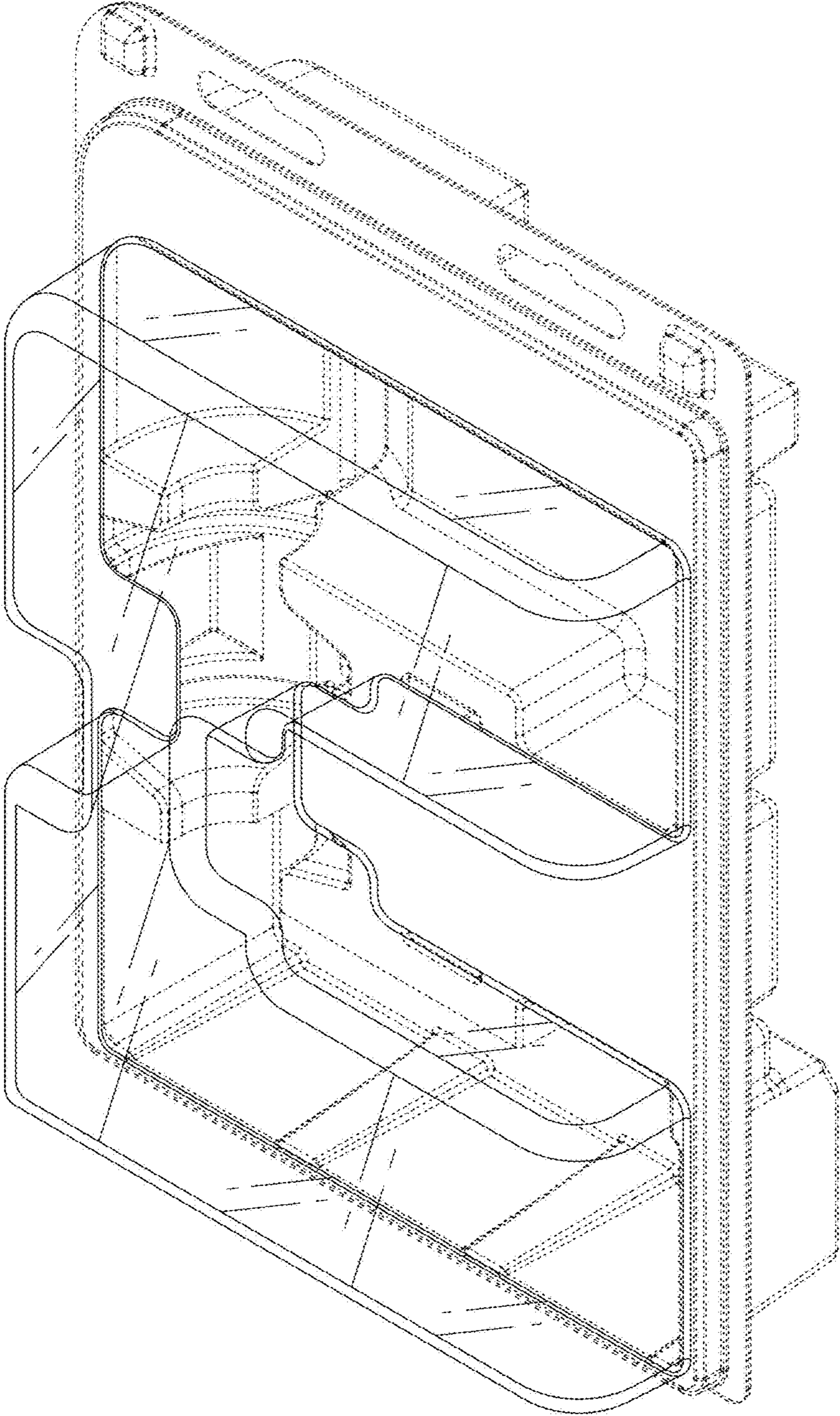


FIG. 1

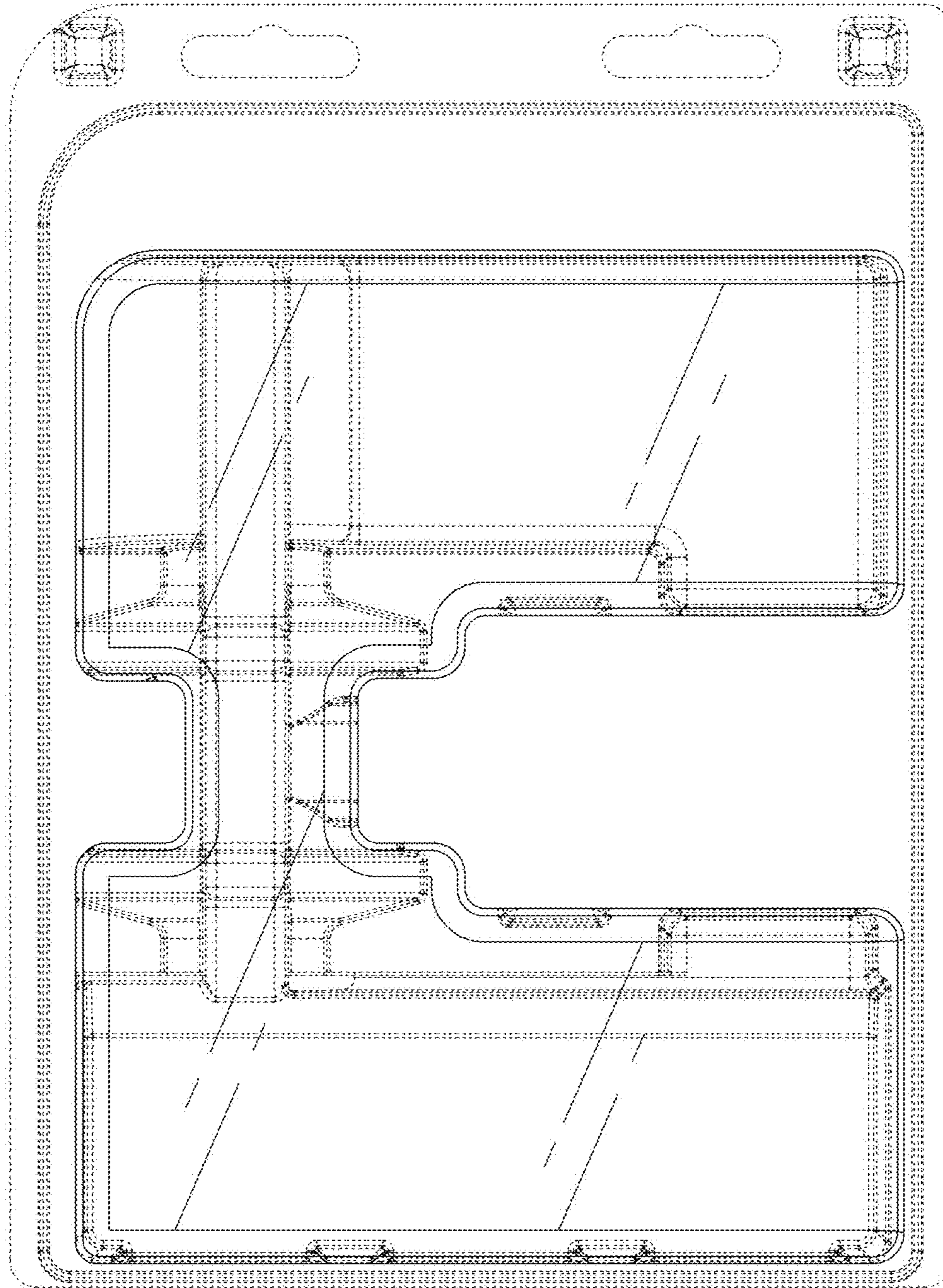


FIG. 2

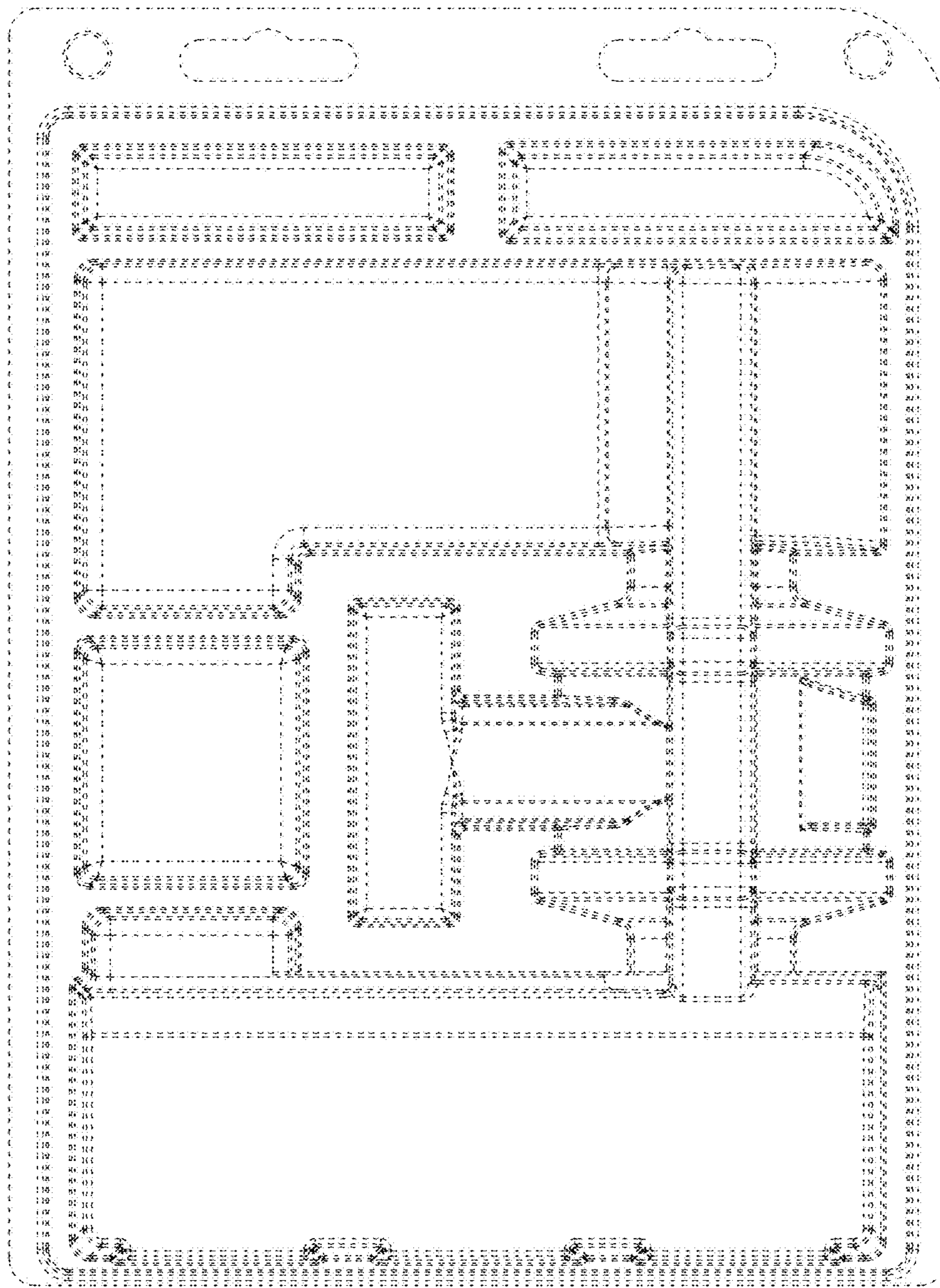


FIG. 3

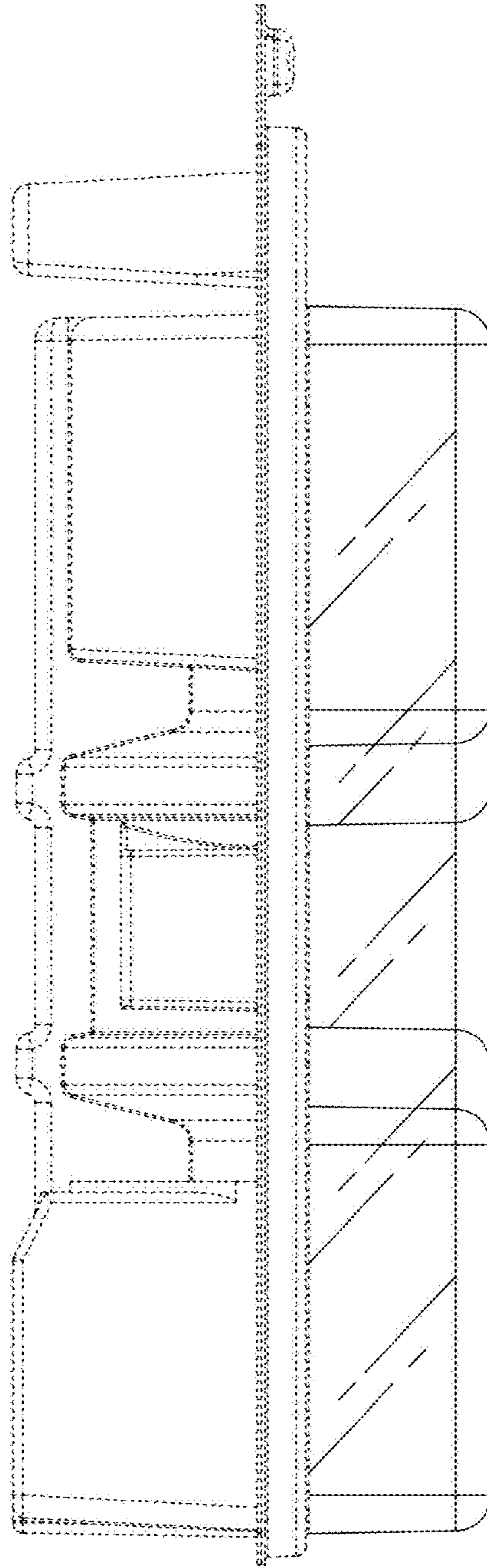


FIG. 4

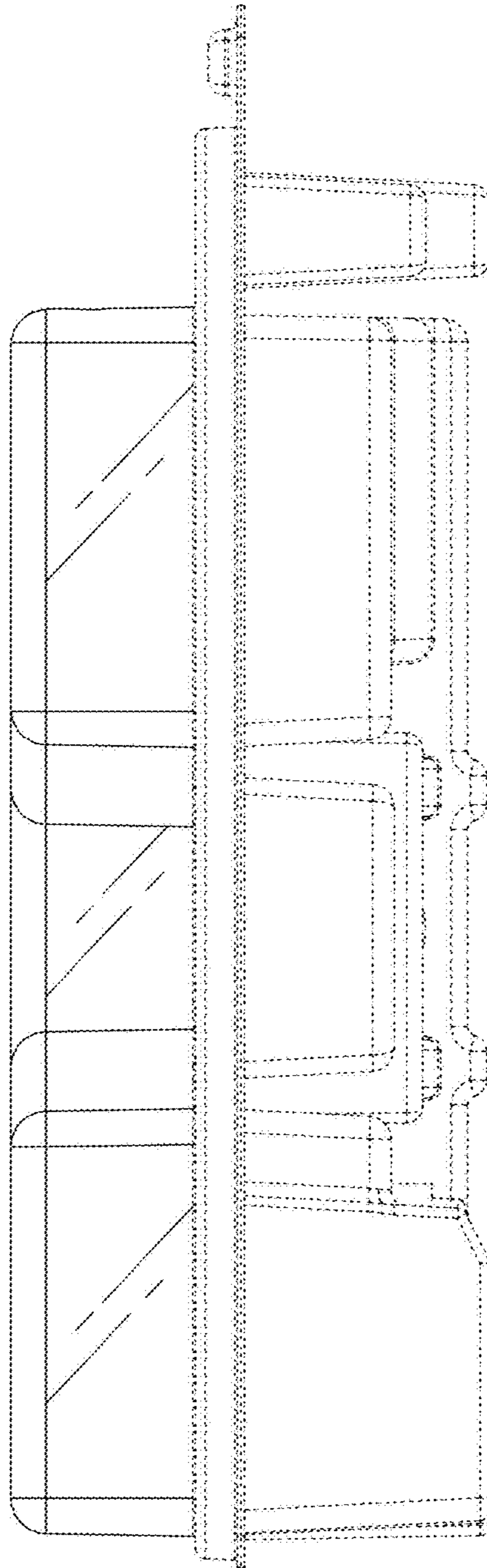


FIG. 5

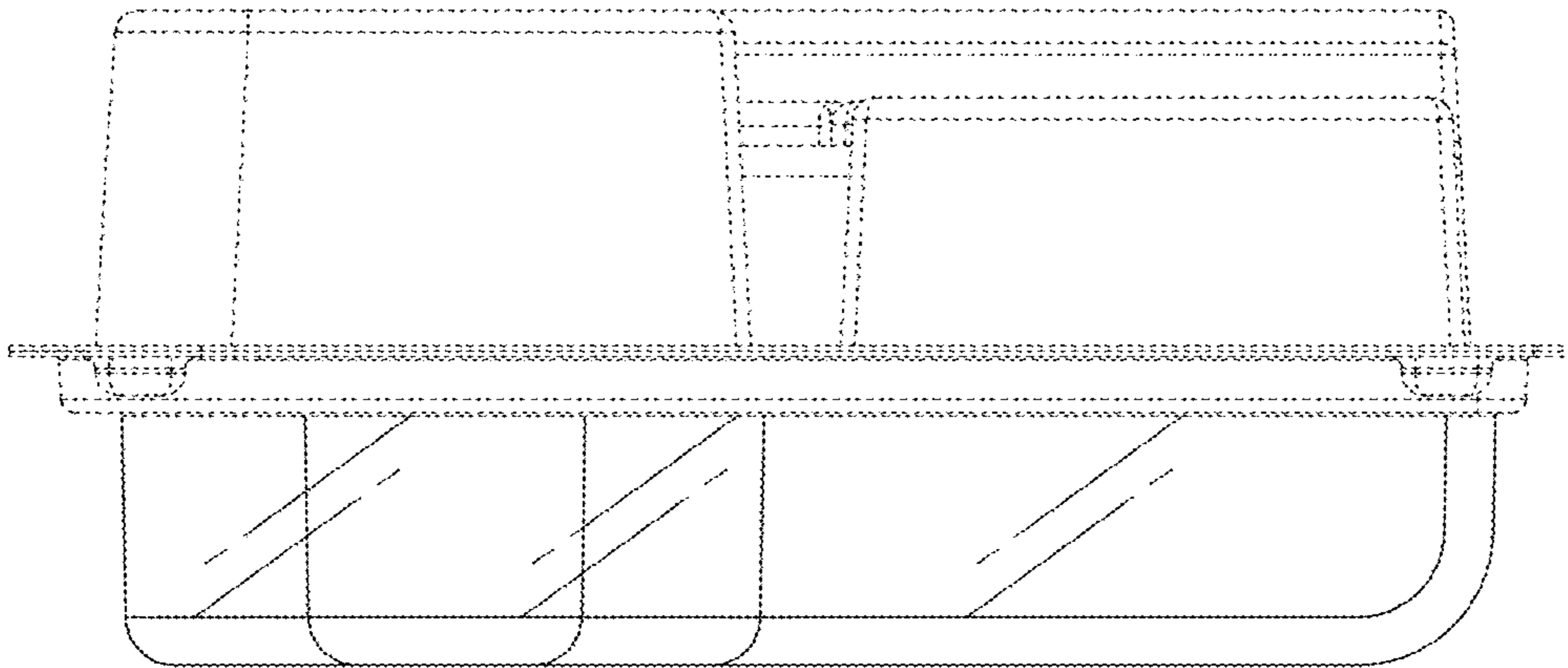


FIG. 6

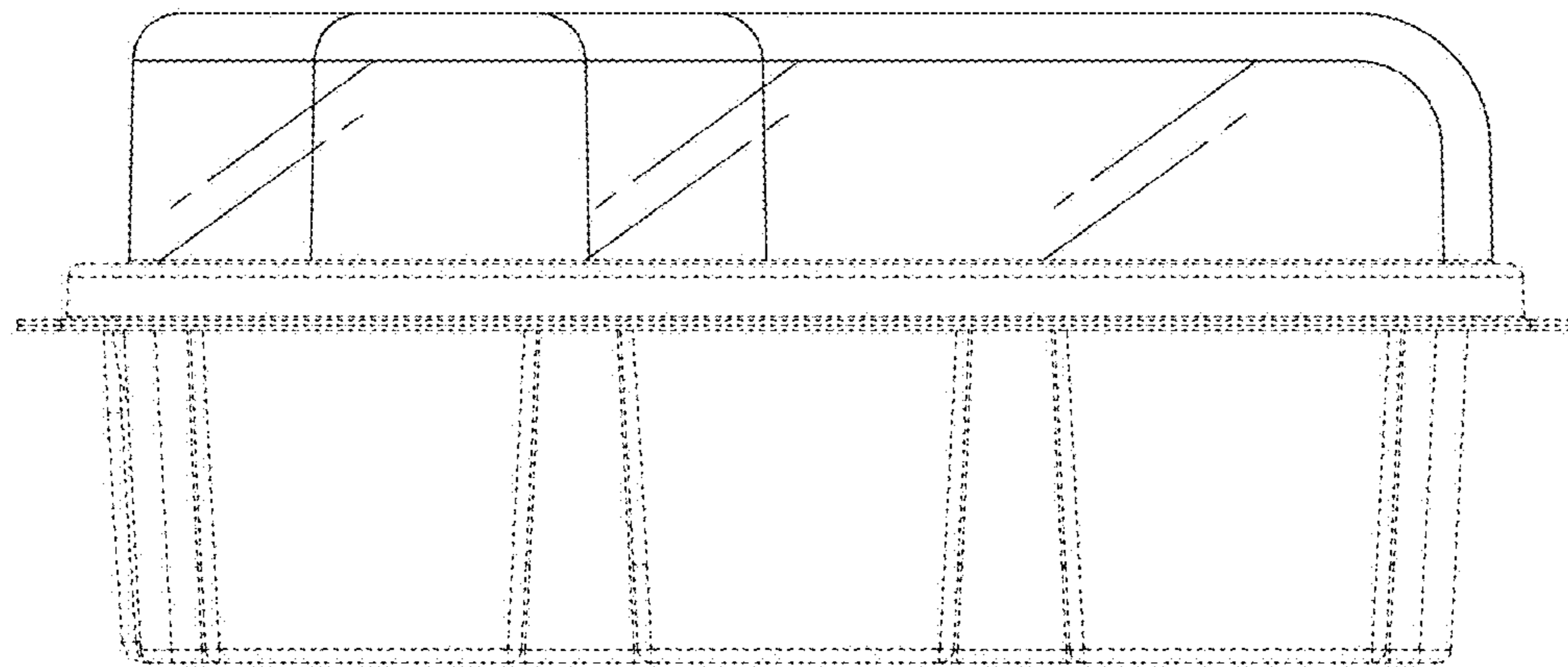


FIG. 7