



US00D810558S

(12) **United States Design Patent**  
**Yuan**

(10) **Patent No.:** **US D810,558 S**

(45) **Date of Patent:** **\*\* Feb. 20, 2018**

(54) **PACKING CASE FOR LOCK DEVICES**

(71) Applicant: **TAIWAN FU HSING INDUSTRIAL CO., LTD.**, Kaohsiung (TW)

(72) Inventor: **Shih-Ting Yuan**, Kaohsiung (TW)

(73) Assignee: **TAIWAN FU HSING INDUSTRIAL CO., LTD.**, Kaohsiung (TW)

(\*\*) Term: **15 Years**

(21) Appl. No.: **29/583,616**

(22) Filed: **Nov. 8, 2016**

(30) **Foreign Application Priority Data**

Sep. 6, 2016 (TW) ..... 105305229

(51) **LOC (11) Cl.** ..... **09-03**

(52) **U.S. Cl.**  
USPC ..... **D9/424; D9/415**

(58) **Field of Classification Search**  
USPC ..... D9/415, 418, 424, 732  
CPC .... B65D 75/327; B65D 75/36; B65D 75/366;  
B65D 75/367; B65D 75/32; B65D  
2575/3245; B65D 75/326; B65D  
2575/366; B65D 2585/88; B65D 75/322;  
B65D 77/2032; B65D 5/4204; B65D  
75/22; B65D 77/0413; B65D 5/4208;  
B65D 77/02; B65D 25/22; B65D  
75/5833; B65D 85/00; B65D 2543/00194;  
B65D 2301/20; B65D 2575/3218; B65D  
73/0007; B65D 73/0042  
See application file for complete search history.

(56) **References Cited**

**U.S. PATENT DOCUMENTS**

3,338,400 A \* 8/1967 Edgworth ..... A61B 17/06133  
206/363  
D233,581 S \* 11/1974 Bridges et al. .... D7/552.2

D237,864 S \* 12/1975 Meierhoefer ..... 206/461  
D262,923 S \* 2/1982 Broilliard ..... D6/545  
D268,331 S \* 3/1983 Kay ..... D9/415  
D274,513 S \* 7/1984 Frezzolini ..... D13/103  
D290,344 S \* 6/1987 Toms ..... D9/424  
D327,425 S \* 6/1992 Hamada ..... D9/415  
D369,547 S \* 5/1996 Dahlheimer ..... D9/415  
D441,286 S 5/2001 Clarke  
D442,857 S 5/2001 Feehan, Jr.  
D466,803 S \* 12/2002 Yang ..... D9/415  
D471,099 S \* 3/2003 Yang ..... D9/415  
D519,026 S \* 4/2006 Shing ..... D9/415  
D538,222 S \* 3/2007 Curello ..... D13/103  
D585,366 S \* 1/2009 Burchette ..... D13/103  
D615,395 S \* 5/2010 Jefferies ..... D9/415  
D625,181 S \* 10/2010 Jefferies ..... D9/425  
D629,680 S \* 12/2010 Sondors ..... D9/418  
D631,835 S \* 2/2011 Neidhart ..... D13/103  
D634,705 S \* 3/2011 Yip ..... D13/103  
8,573,397 B1 \* 11/2013 Fager ..... B65D 71/14  
206/320

(Continued)

*Primary Examiner* — Derrick Holland

*Assistant Examiner* — Lauren Calve

(74) *Attorney, Agent, or Firm* — Winston Hsu

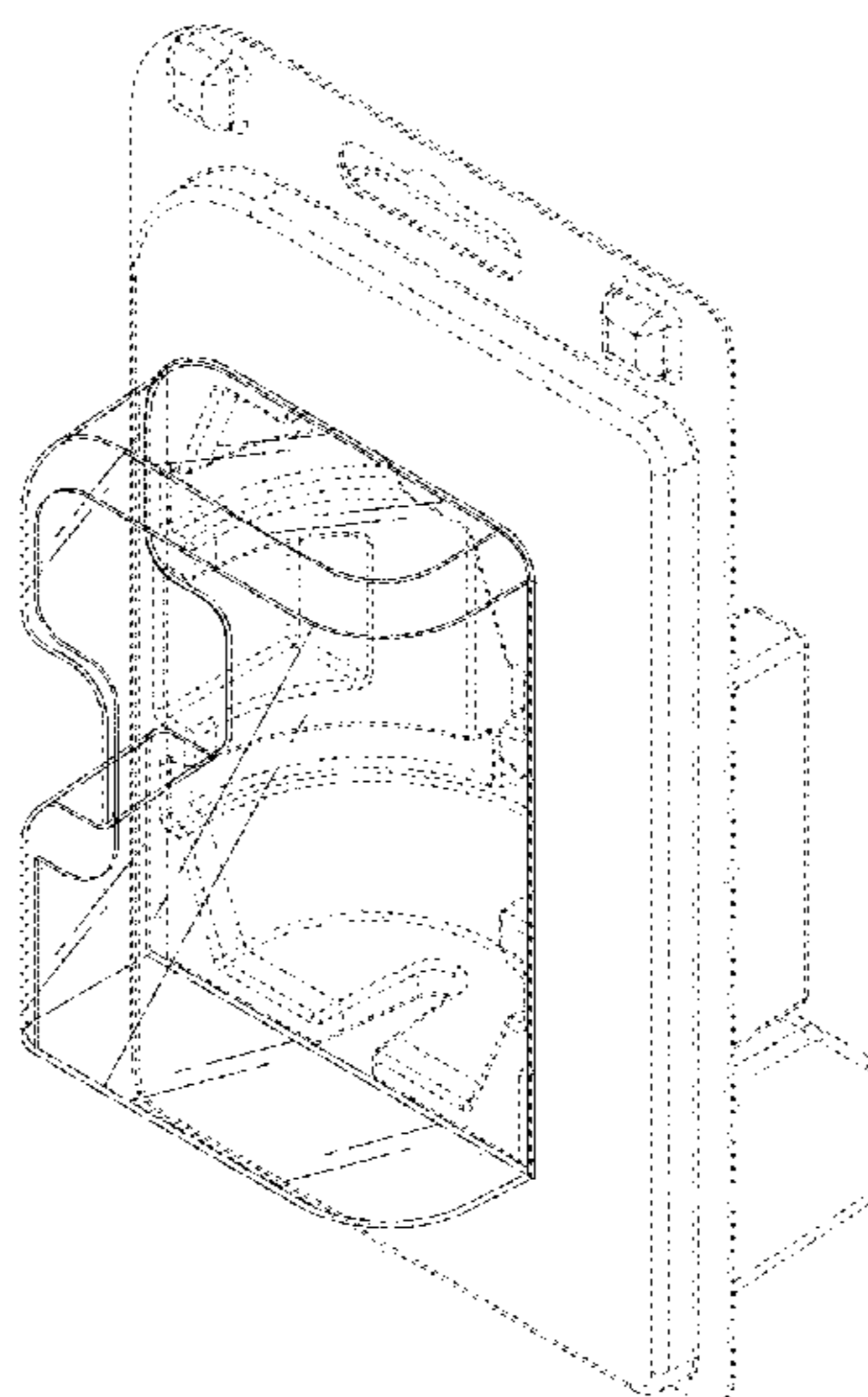
(57) **CLAIM**

The ornamental design for a packing case for lock devices, as shown and described.

**DESCRIPTION**

FIG. 1 is a front, right, top perspective view of a packing case for lock devices showing my new design; FIG. 2 is a front elevational view thereof; FIG. 3 is a rear elevational view thereof; FIG. 4 is a left side elevational view thereof; FIG. 5 is a right side elevational view thereof; FIG. 6 is a top plan view thereof; and, FIG. 7 is a bottom plan view thereof. The broken lines shown represent unclaimed subject matter and form no part of the claimed design.

**1 Claim, 7 Drawing Sheets**



(56)

**References Cited**

U.S. PATENT DOCUMENTS

D697,398 S 1/2014 Guevara-Ludt  
D708,056 S \* 7/2014 Larson ..... D9/424  
D733,552 S 7/2015 Whalen, Jr.  
D760,071 S \* 6/2016 Wu ..... D9/415  
D767,988 S \* 10/2016 Wu ..... D9/415  
2013/0319896 A1\* 12/2013 Corbat ..... B65D 75/322  
206/470  
2015/0217920 A1\* 8/2015 Madron ..... B65D 75/30  
53/467  
2016/0101919 A1\* 4/2016 Zacherle ..... B65D 73/0092  
206/461  
2016/0355325 A1\* 12/2016 Kuo ..... B65D 75/322

\* cited by examiner

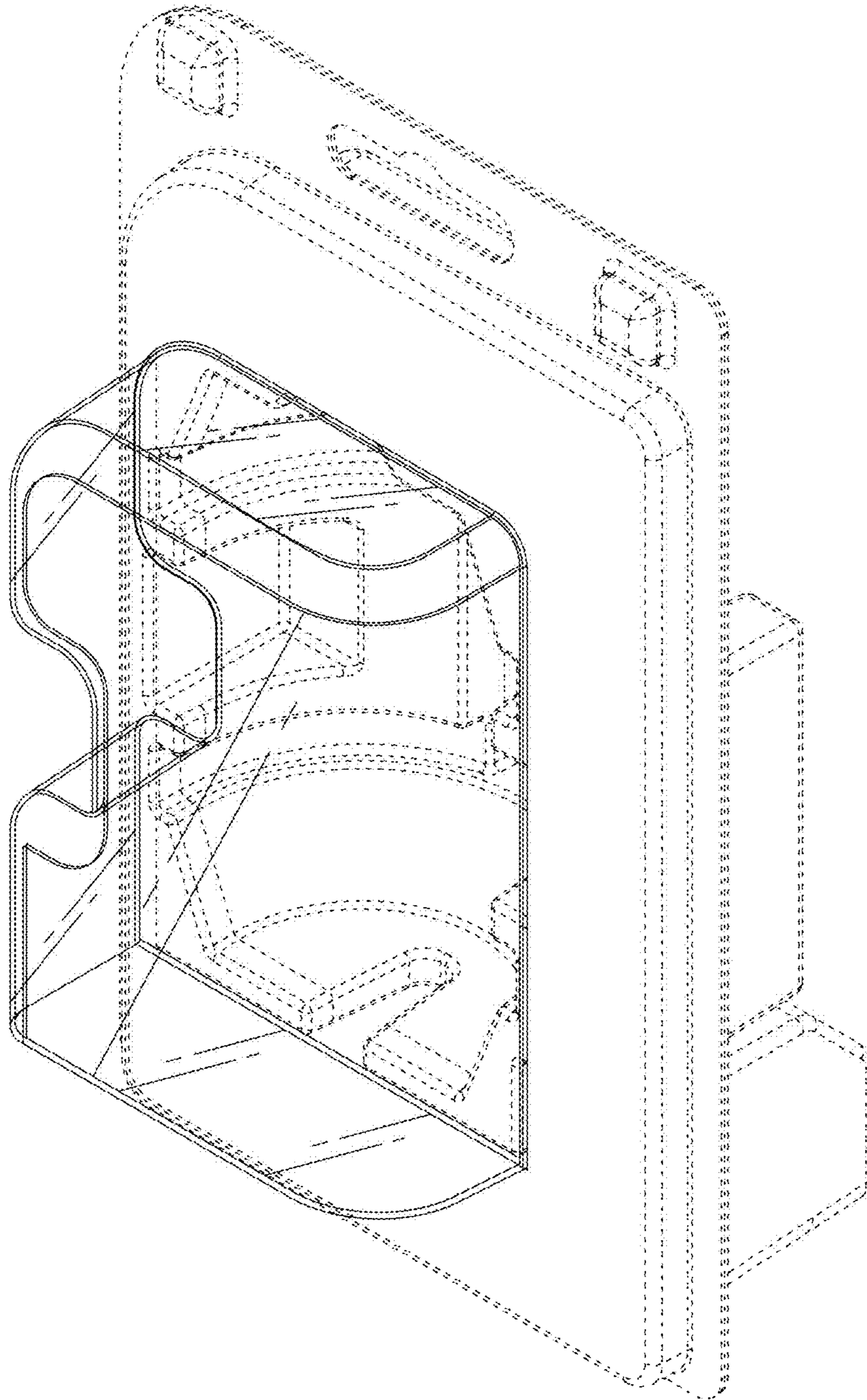


FIG. 1

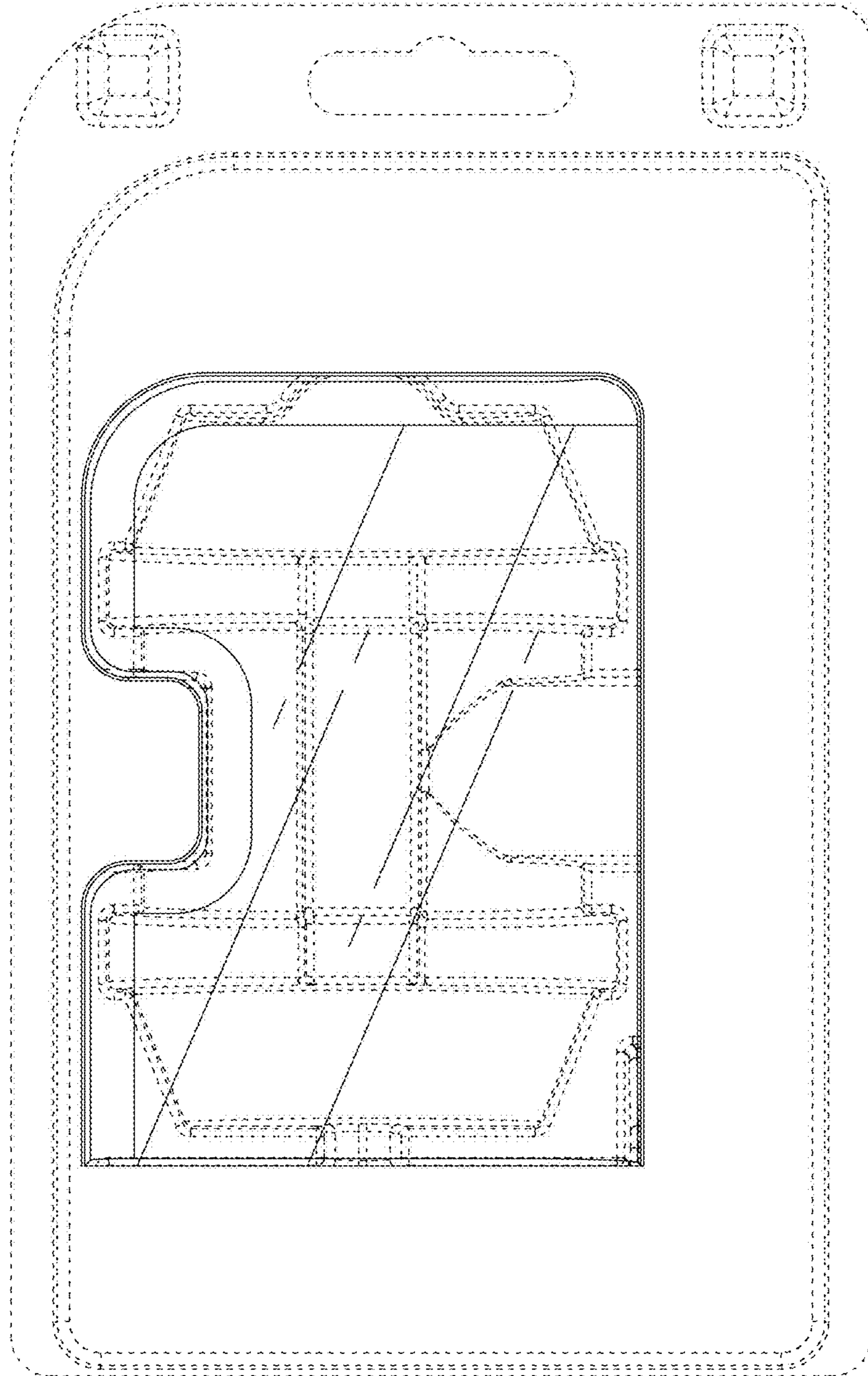


FIG. 2

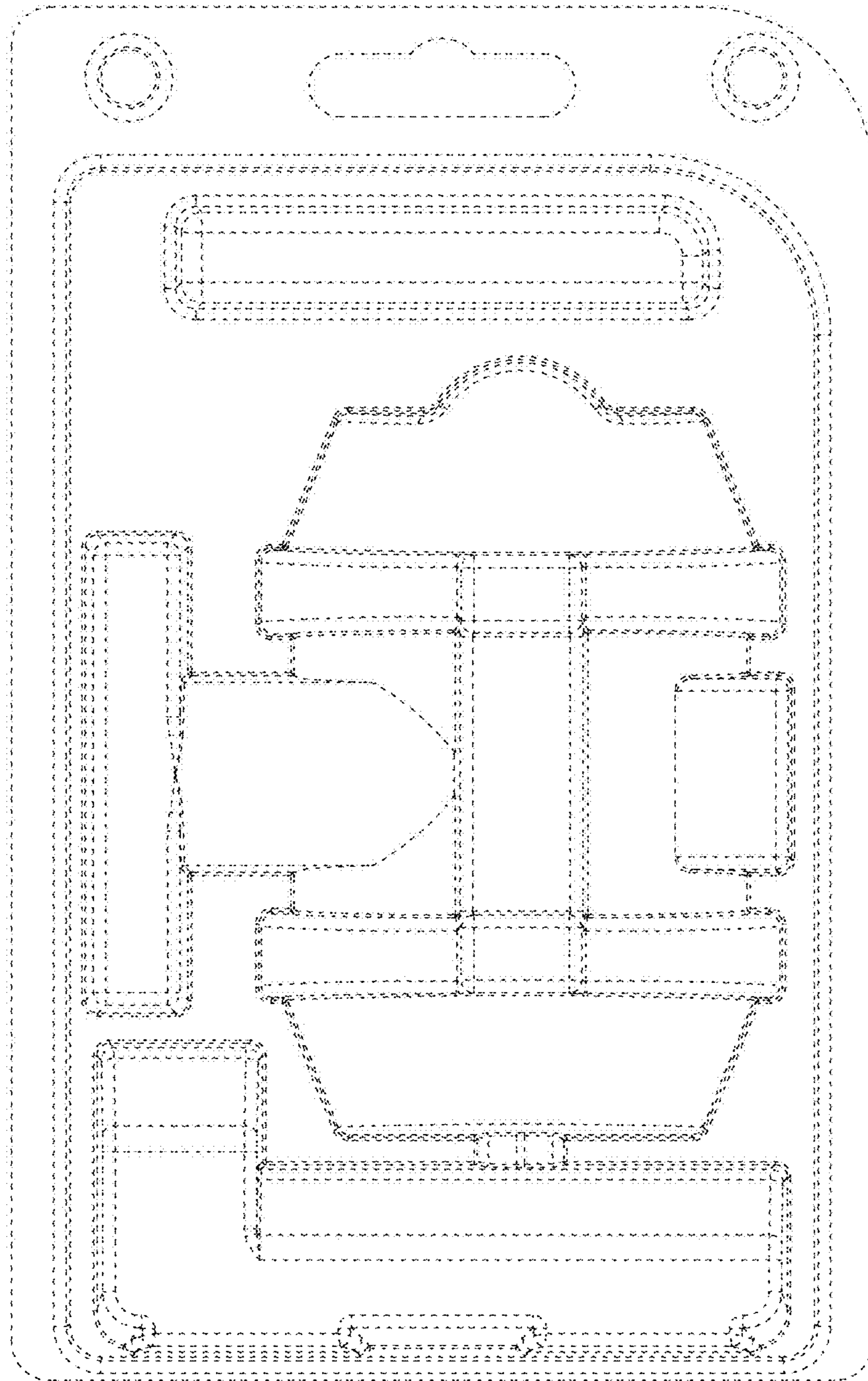


FIG. 3

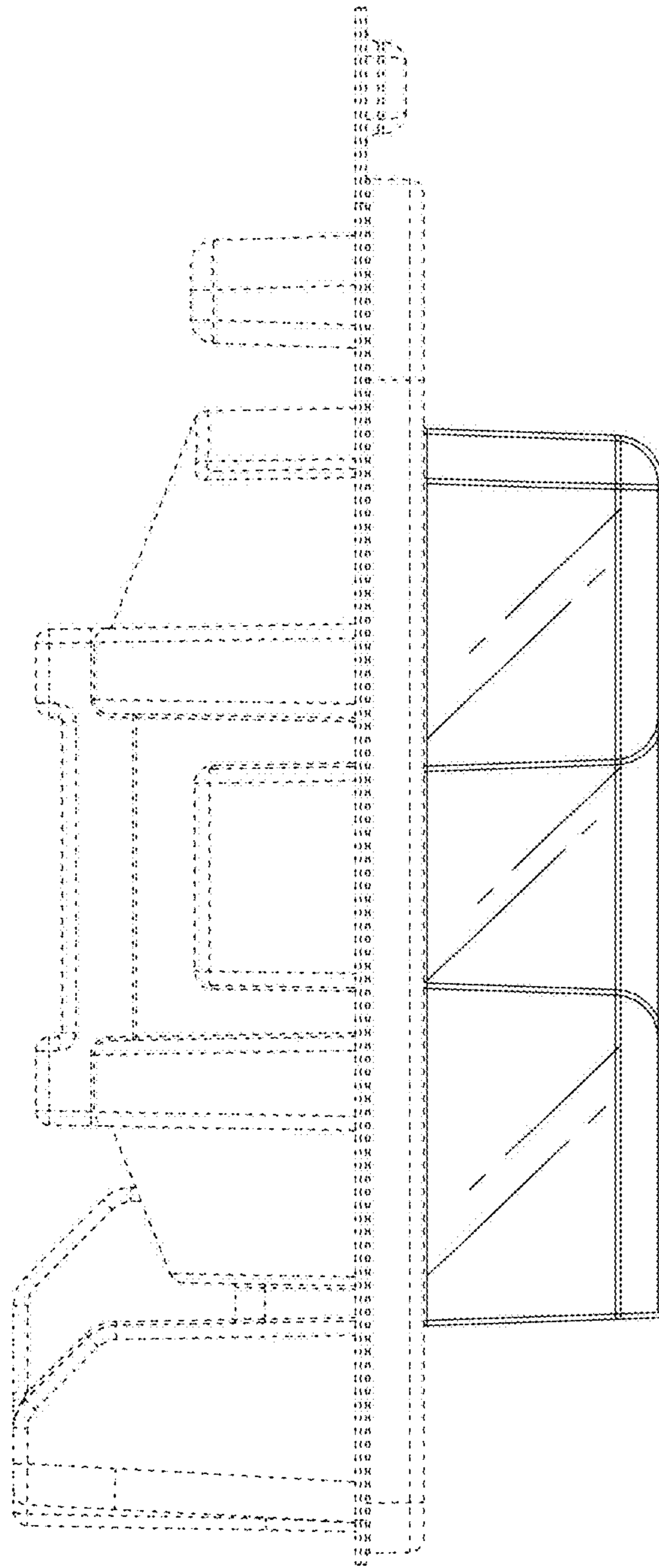


FIG. 4

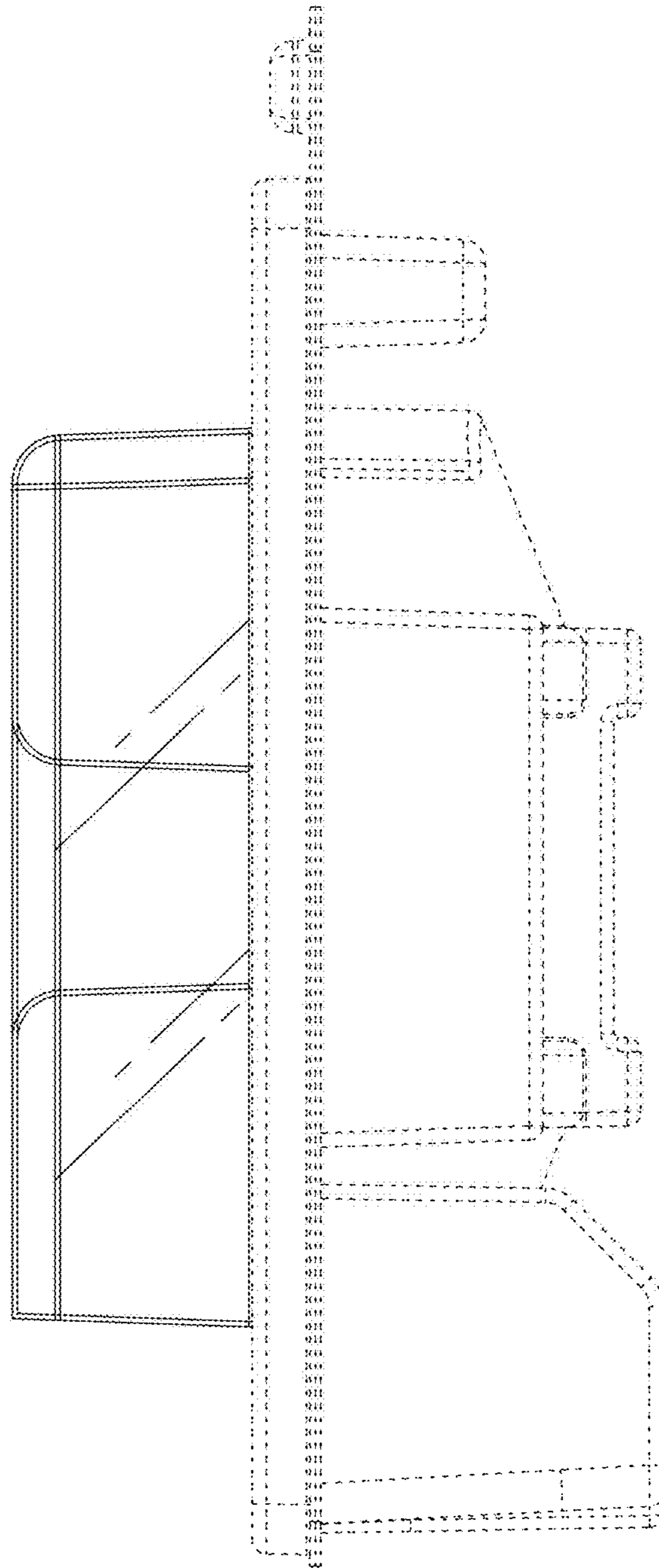


FIG. 5

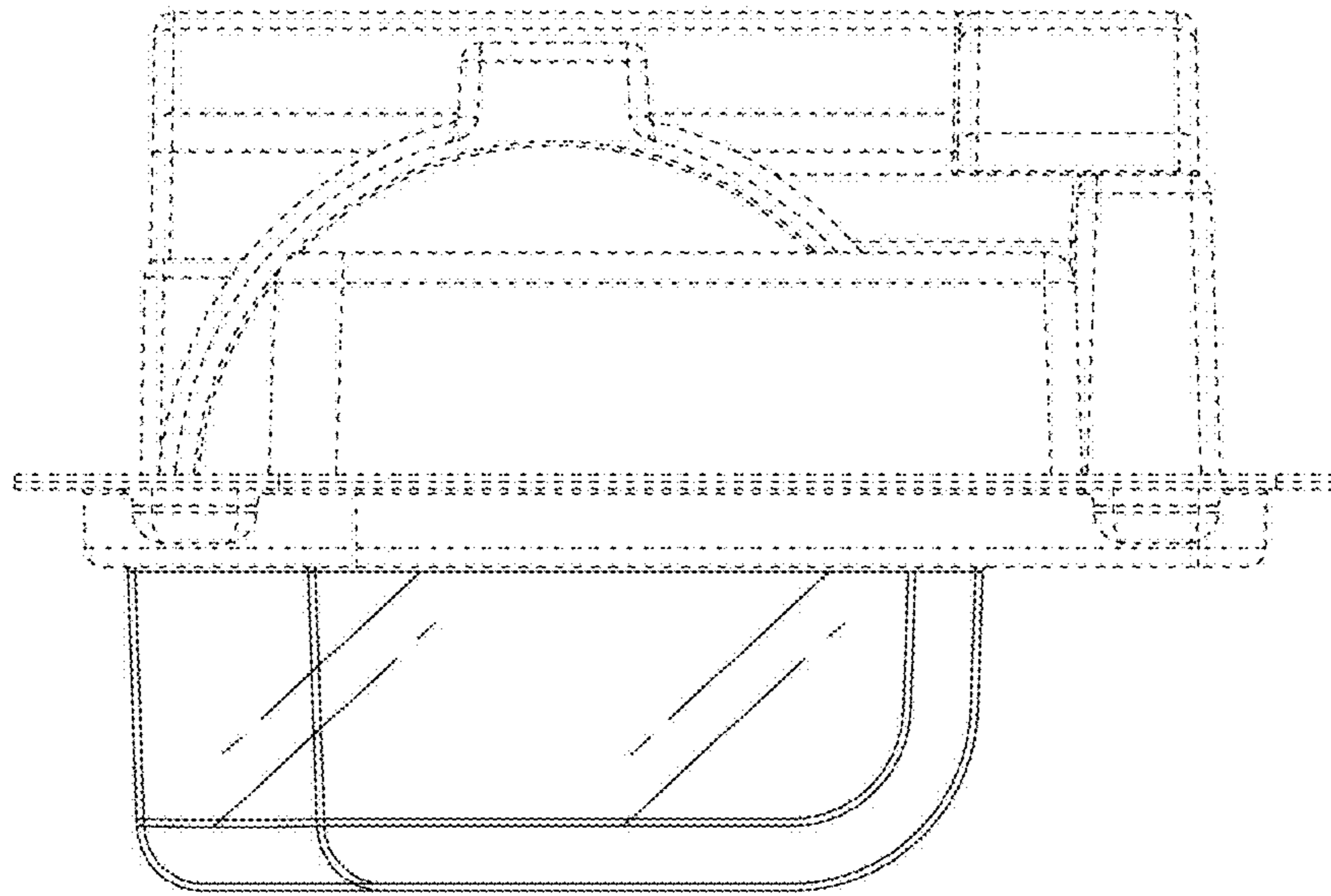


FIG. 6



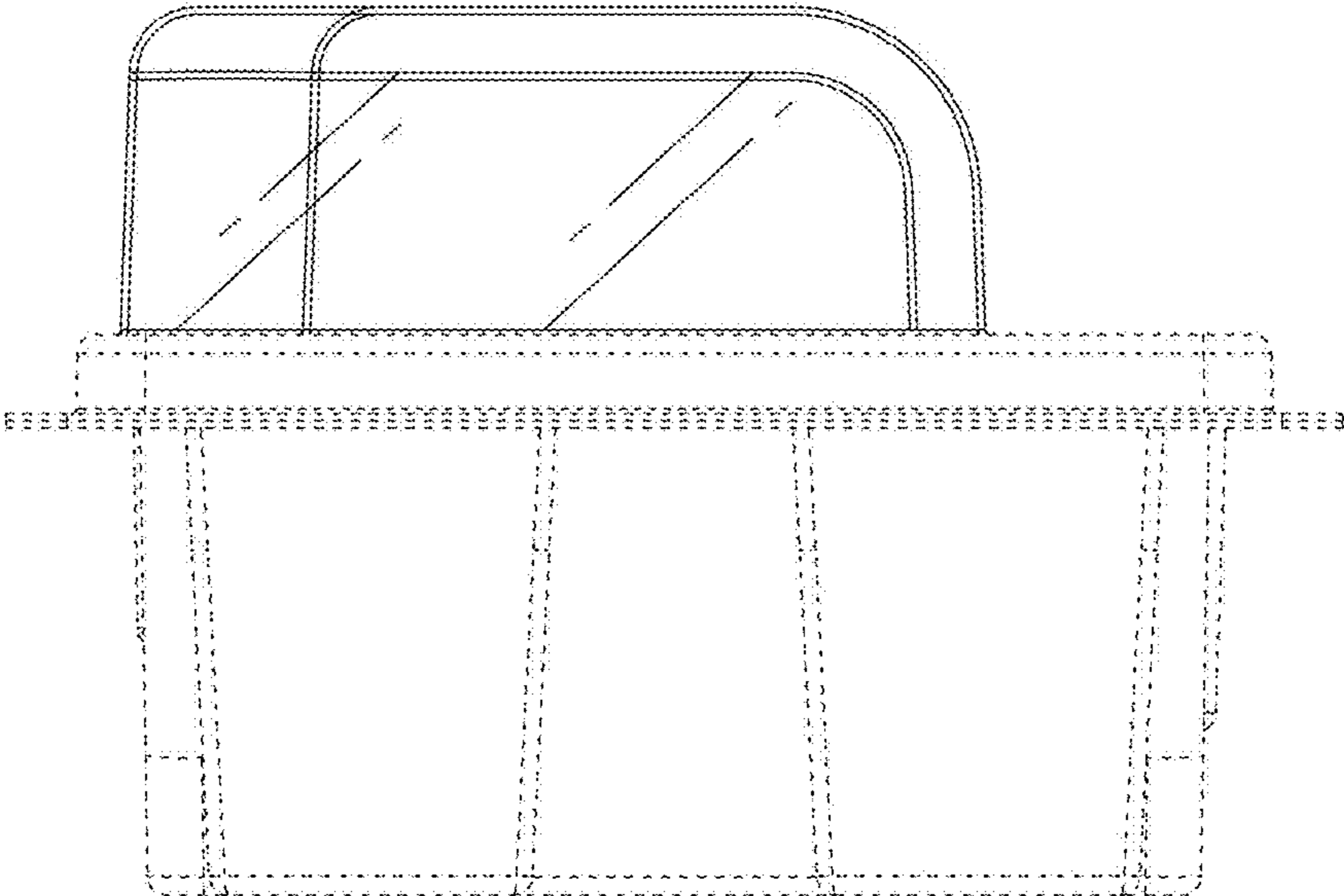


FIG. 7