



US00D810555S

(12) **United States Design Patent**
O'Brien

(10) **Patent No.:** **US D810,555 S**

(45) **Date of Patent:** **** Feb. 20, 2018**

(54) **WIRE CLAMP**

D722,490 S * 2/2015 Lyons D8/395
D738,713 S * 9/2015 Volin D8/394
D753,875 S * 4/2016 Corcoran D27/183

(71) Applicant: **Joe O'Brien**, Alburtis, PA (US)

(72) Inventor: **Joe O'Brien**, Alburtis, PA (US)

(**) Term: **15 Years**

FOREIGN PATENT DOCUMENTS

KR 300392433-0000 * 9/2005

(21) Appl. No.: **29/578,644**

OTHER PUBLICATIONS

(22) Filed: **Sep. 23, 2016**

Slick M2755 Two Wire Clamp ASY from Aircraft Spruce Europe, no date, <http://www.aircraftspruce.eu/slick-m2755-two-wire-clamp-asy.htm>, [site visited May 25, 2017 9:05:04 PM].*

(51) **LOC (11) Cl.** **08-08**

(52) **U.S. Cl.**

USPC **D8/394**; D8/395

* cited by examiner

(58) **Field of Classification Search**

USPC D8/363, 354, 373, 381, 394-396, 39

CPC F16C 1/26; B66B 7/02; B65G 21/20

See application file for complete search history.

Primary Examiner — John Windmuller

Assistant Examiner — John R Yeh

(74) *Attorney, Agent, or Firm* — Barley Snyder

(56) **References Cited**

(57) **CLAIM**

U.S. PATENT DOCUMENTS

The ornamental design for a wire clamp, as shown and described.

- 3,140,519 A * 7/1964 Johnson B65D 33/1675
24/30.5 R
- 3,516,631 A * 6/1970 Santucci F16L 3/12
24/16 PB
- 4,317,262 A * 3/1982 Wells, Jr. F16L 3/12
24/16 PB
- D284,810 S * 7/1986 Kelemen, Sr. D3/315
- 5,020,749 A * 6/1991 Kraus F16L 3/23
24/16 PB
- D327,149 S * 6/1992 Harper, IV D32/61
- D365,017 S * 12/1995 Rohrig D8/394
- D372,420 S * 8/1996 Mendez D8/356
- D424,922 S * 5/2000 Sherman D8/395
- D484,400 S * 12/2003 Blake D8/356
- D507,481 S * 7/2005 Blake D8/356
- D521,366 S * 5/2006 Polak D8/383
- D535,291 S * 1/2007 Chiang D14/230
- D537,329 S * 2/2007 Blanton D8/395
- D549,058 S * 8/2007 Shibata D8/14
- D600,544 S * 9/2009 Klaus D8/395
- D603,836 S * 11/2009 Hibbard D14/191
- D669,773 S * 10/2012 Colasse D8/395

DESCRIPTION

FIG. 1 is a front, top and right side perspective view of a wire clamp;

FIG. 2 is a right side elevation view thereof;

FIG. 3 is a top plan view thereof;

FIG. 4 is a left side elevation view thereof;

FIG. 5 is a bottom plan view thereof; and

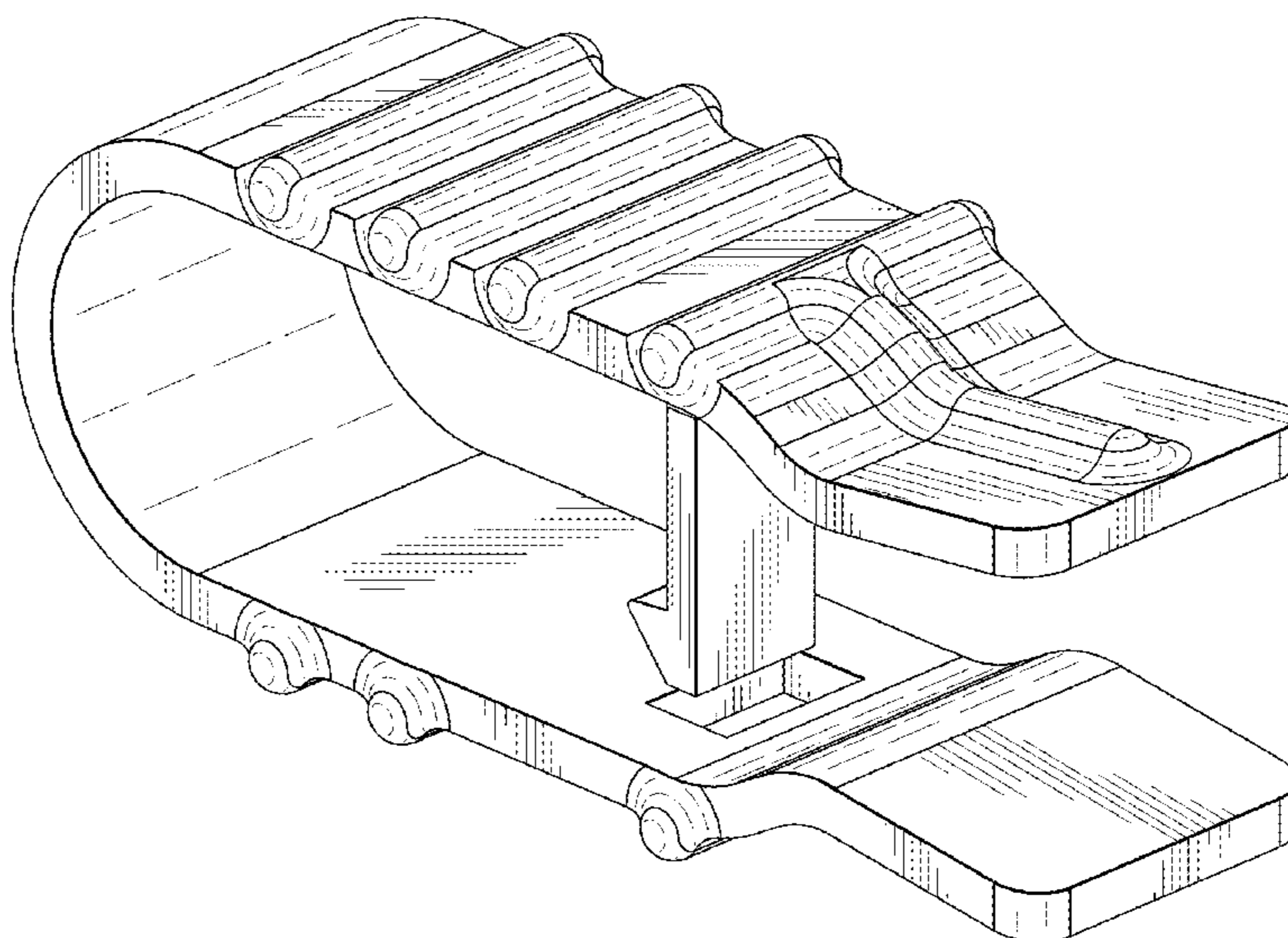
FIG. 6 is a rear elevation view thereof;

FIG. 7 is a front elevation view thereof; and,

FIG. 8 is a front, bottom and left perspective view of the wire clamp.

The broken lines shown in the figures provide appropriate surface shading to clearly show the character and contour of all surfaces of the claimed design.

1 Claim, 5 Drawing Sheets



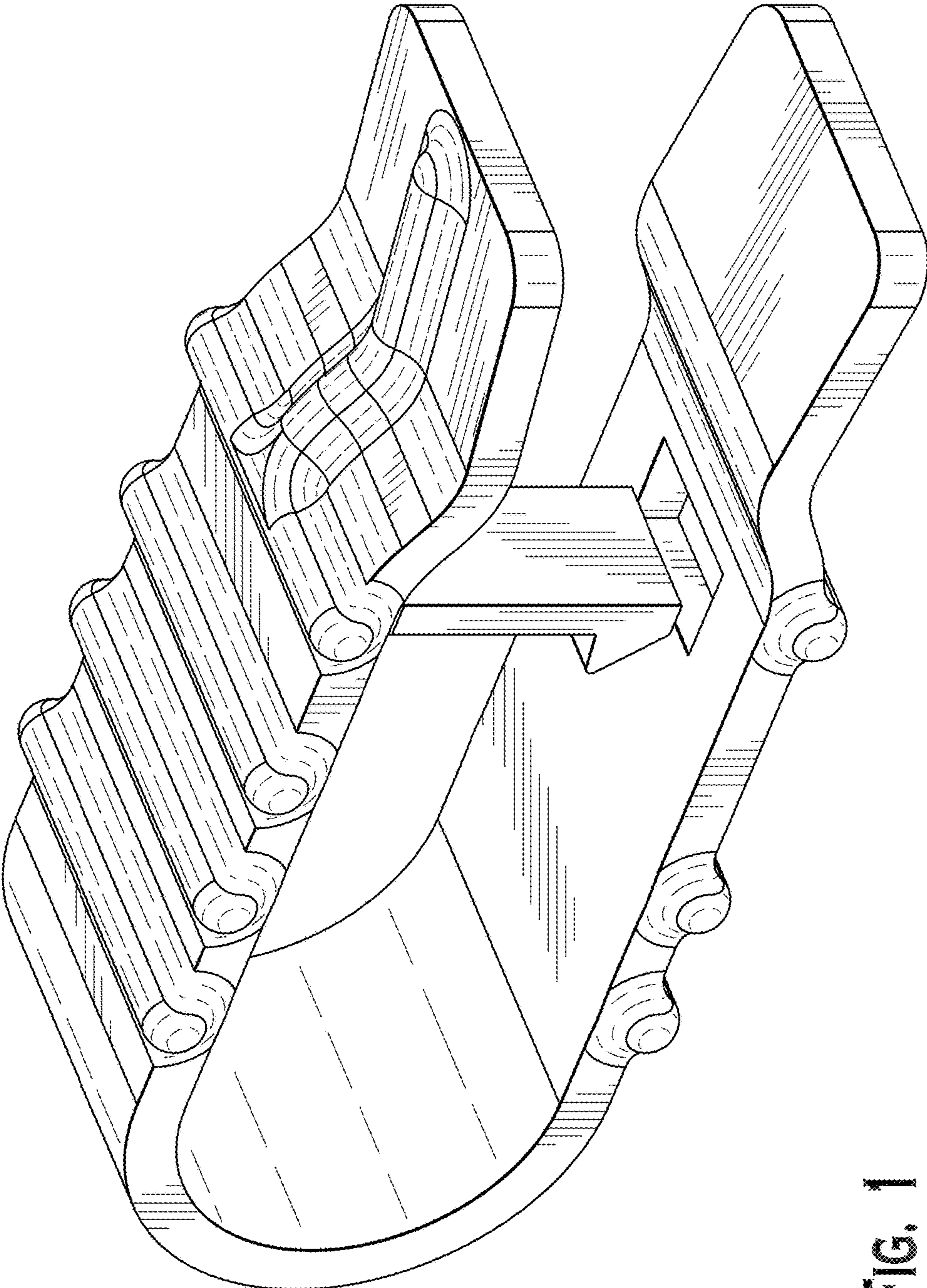


FIG. 1

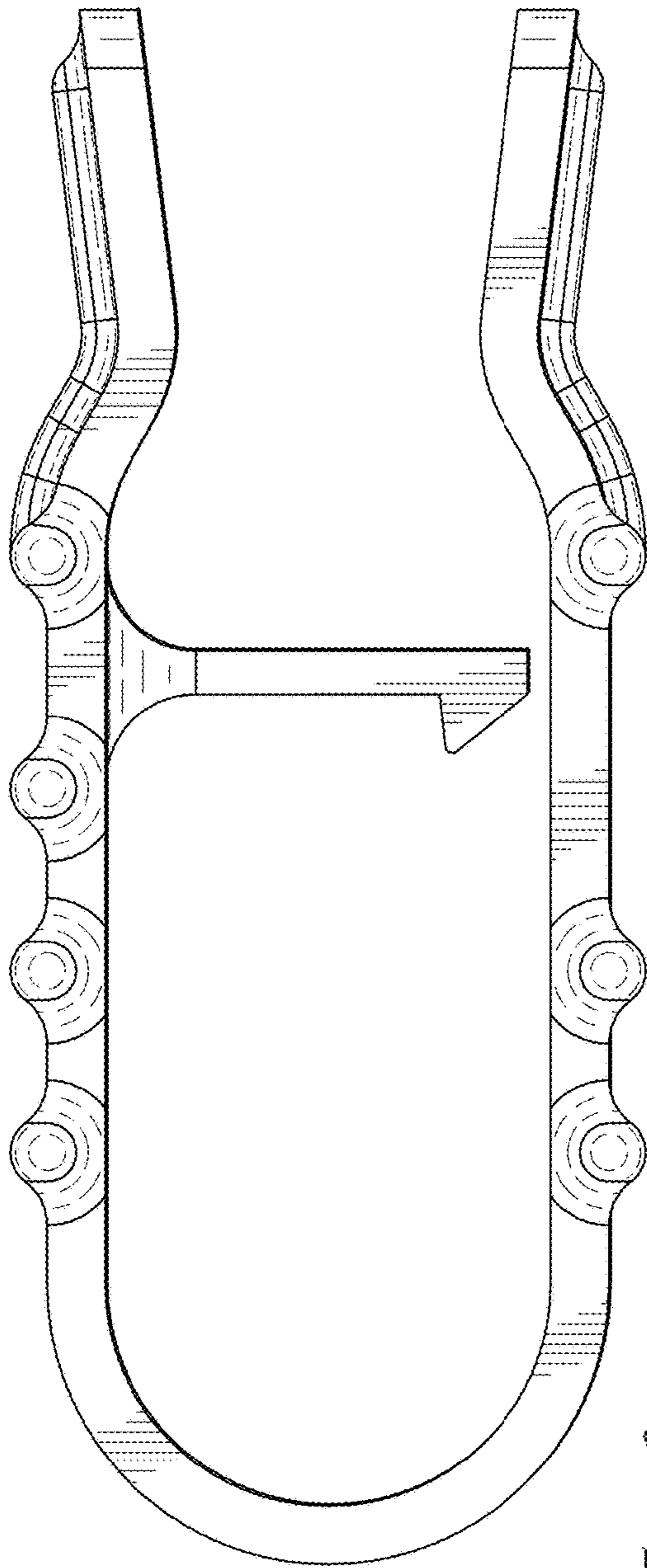


FIG. 2

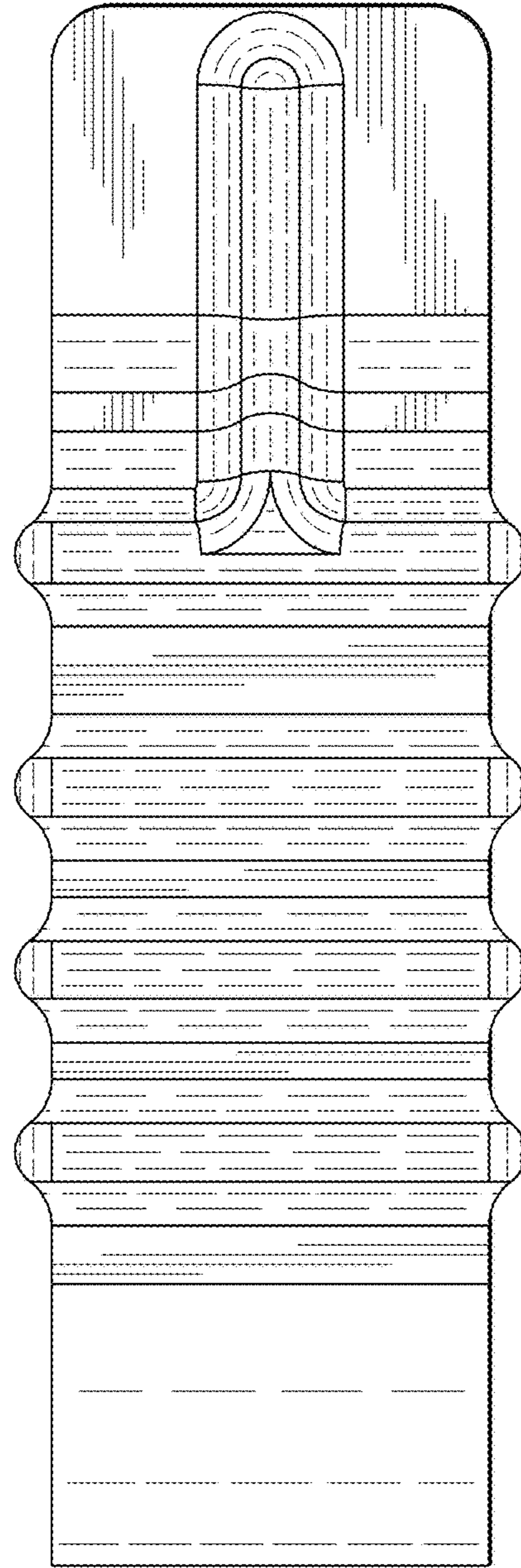


FIG. 3

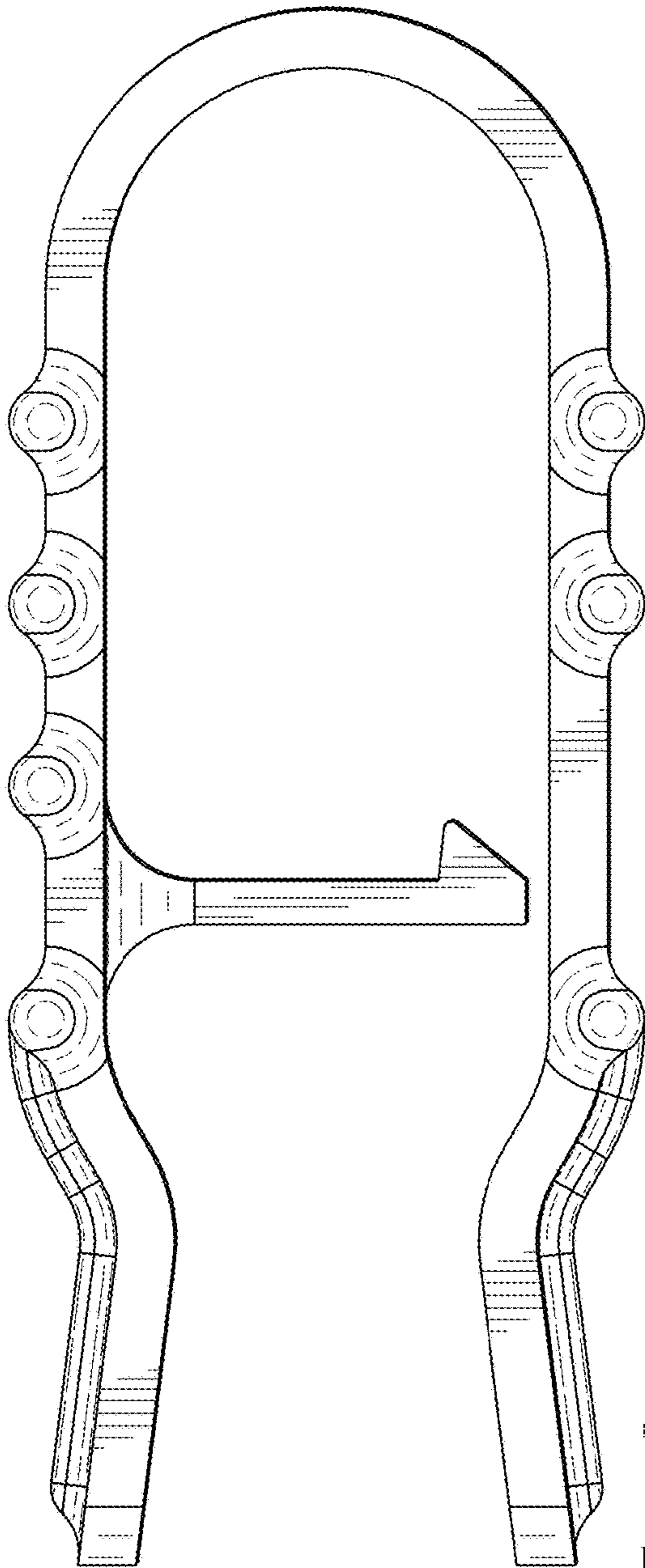


FIG. 4

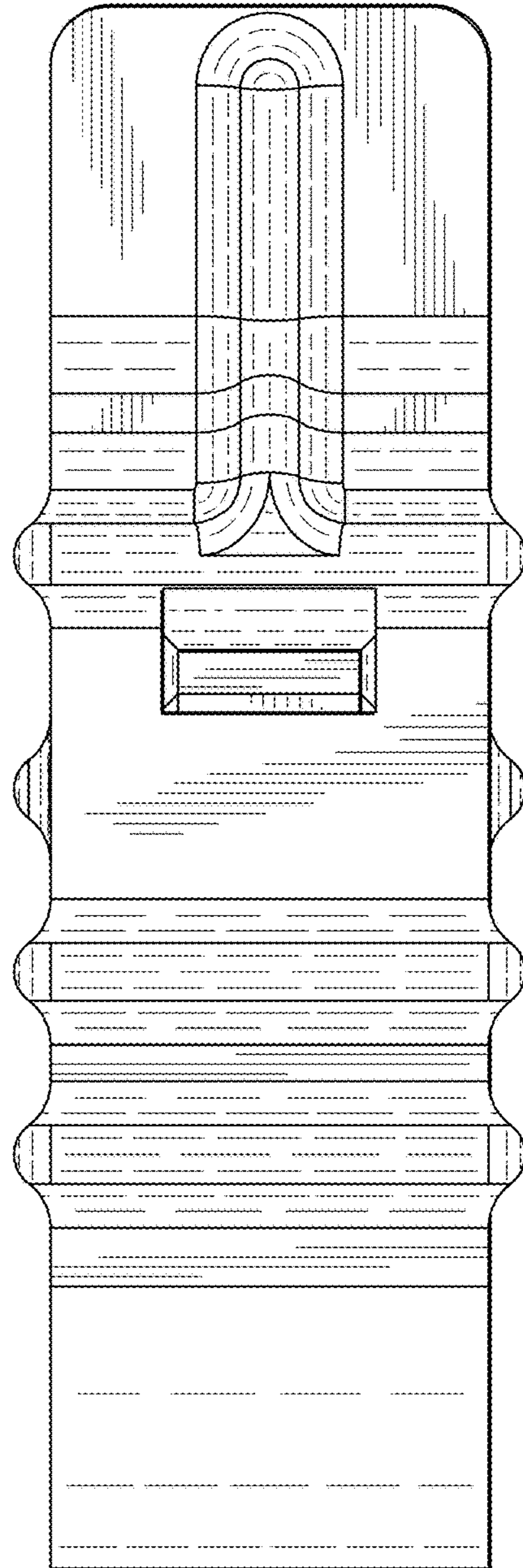


FIG. 5

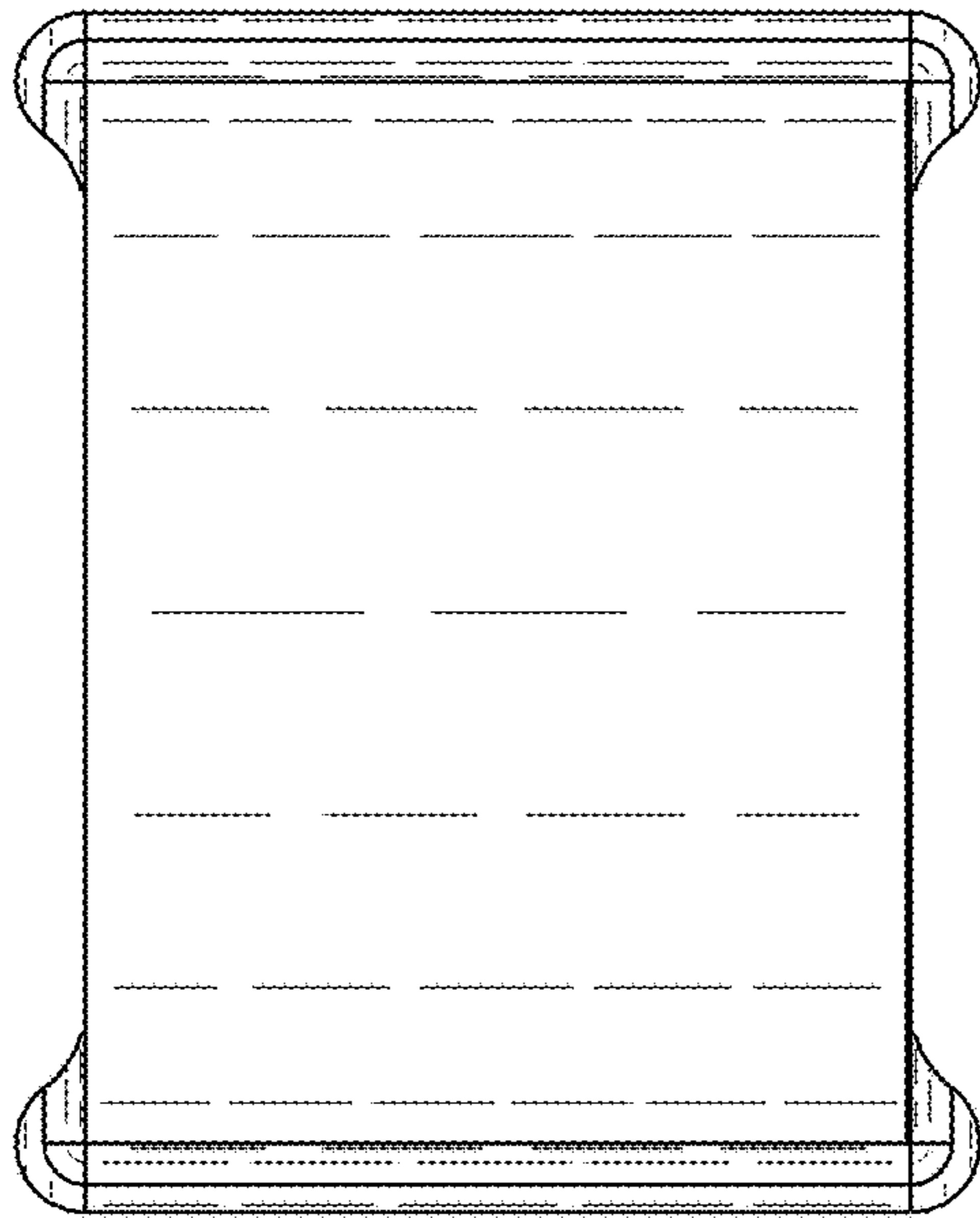


FIG. 6

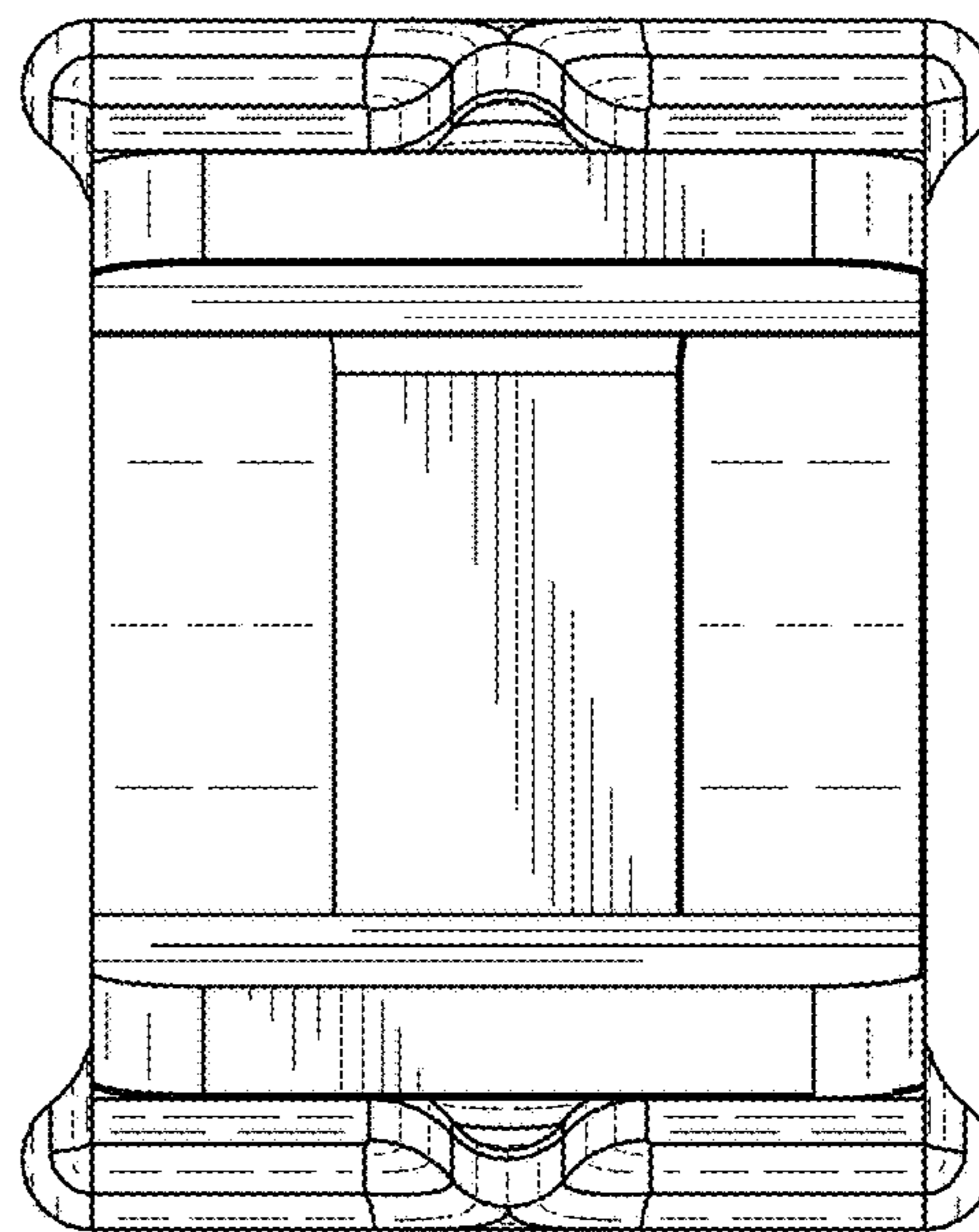


FIG. 7

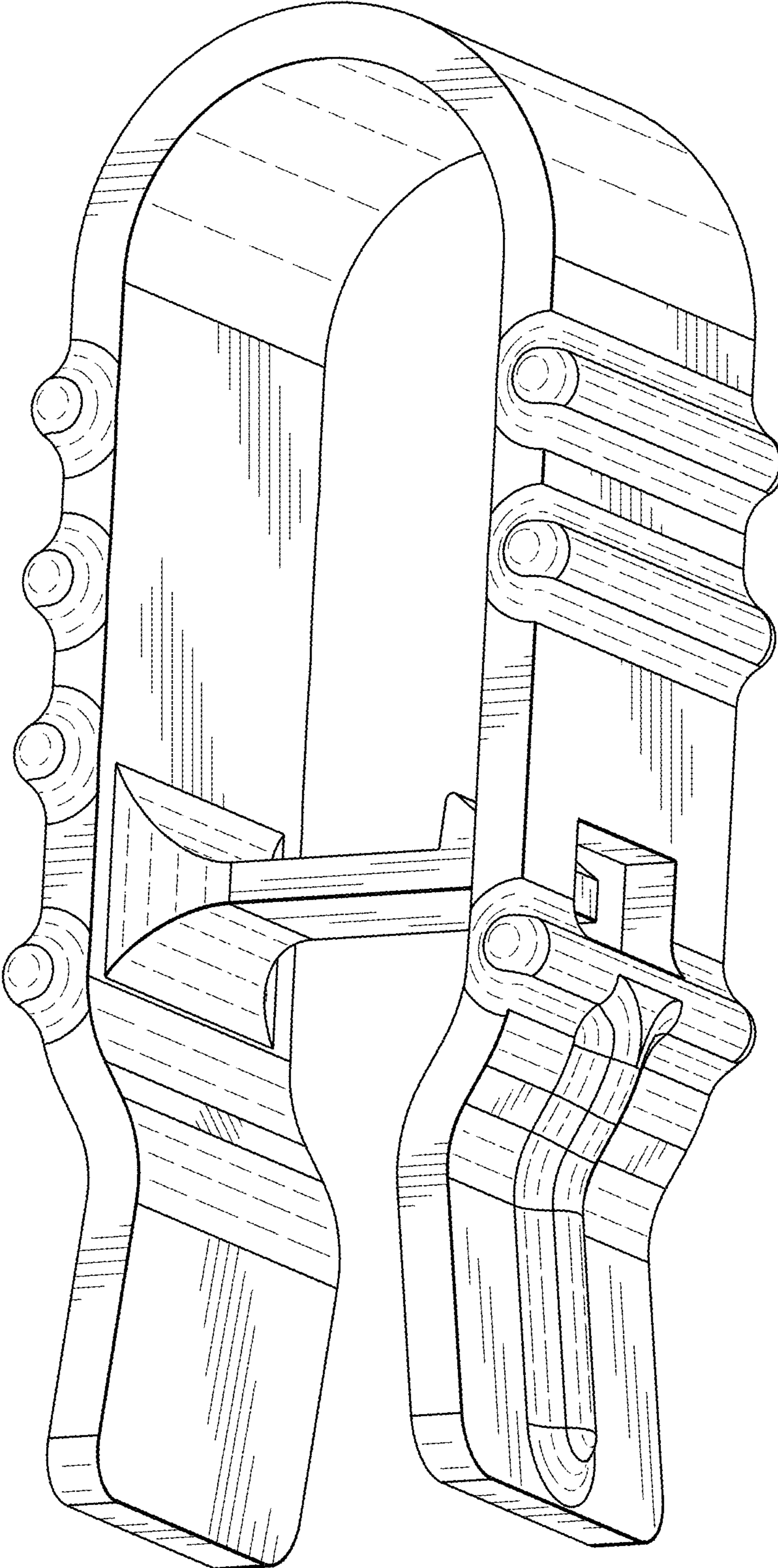


FIG. 8