



US00D810554S

(12) **United States Design Patent** (10) **Patent No.:** **US D810,554 S**  
**Horn** (45) **Date of Patent:** **\*\* Feb. 20, 2018**

(54) **MUD PAN BUCKET HOOK**  
(71) Applicant: **Andy Lee Horn**, Chambersburg, PA (US)  
(72) Inventor: **Andy Lee Horn**, Chambersburg, PA (US)  
(\*\*) Term: **15 Years**  
(21) Appl. No.: **29/505,983**  
(22) Filed: **May 10, 2016**  
(51) **LOC (11) Cl.** ..... **08-05**  
(52) **U.S. Cl.**  
USPC ..... **D8/380**  
(58) **Field of Classification Search**  
USPC ..... D8/367, 373, 380, 349; 248/210–211, 248/303, 302  
CPC ..... A47G 1/1686; A47G 7/045; A47B 57/52; A47B 96/1466; A47K 2201/02; A47K 3/003; F16M 13/02  
See application file for complete search history.

(56) **References Cited**

U.S. PATENT DOCUMENTS

D258,330 S *	2/1981	Bosley .....	D6/556
D288,745 S *	3/1987	Fenton .....	D6/300
D290,931 S *	7/1987	Powell .....	D8/371
4,765,472 A	8/1988	Dent	
D307,384 S	4/1990	Phillips	
D313,169 S	12/1990	Scott et al.	
D313,742 S	1/1991	Ruff	
D354,431 S *	1/1995	Andrews .....	D8/367
D360,355 S *	7/1995	Adams .....	D8/367
D365,015 S *	12/1995	Avinger .....	D8/367
D393,413 S	4/1998	Brown	
D465,724 S *	11/2002	Goodman .....	D8/367
D470,395 S *	2/2003	Valiulis .....	D8/354
D582,259 S *	12/2008	DeBiasio, Jr. ....	D8/363
D613,151 S *	4/2010	Goodman .....	D8/367
7,992,833 B1 *	8/2011	Goodman .....	A47G 25/0614 248/298.1

D666,083 S *	8/2012	Mackay .....	D8/367
D668,938 S *	10/2012	Morales .....	D8/367
D675,903 S *	2/2013	Rothbaum .....	D8/356
D740,106 S *	10/2015	Cooper .....	D8/356
D746,127 S *	12/2015	Cohen .....	D8/367
D786,052 S *	5/2017	Szucs .....	D8/373
D788,396 S *	5/2017	Boniakowski .....	D32/54
2004/0178240 A1 *	9/2004	Bauer .....	A45F 5/02 224/268
2005/0211586 A1	9/2005	Fierk	(Continued)

*Primary Examiner* — Lakiya Rogers  
*Assistant Examiner* — Harold E Blackwell, II  
(74) *Attorney, Agent, or Firm* — Suzanne Kikel, Patent Agent

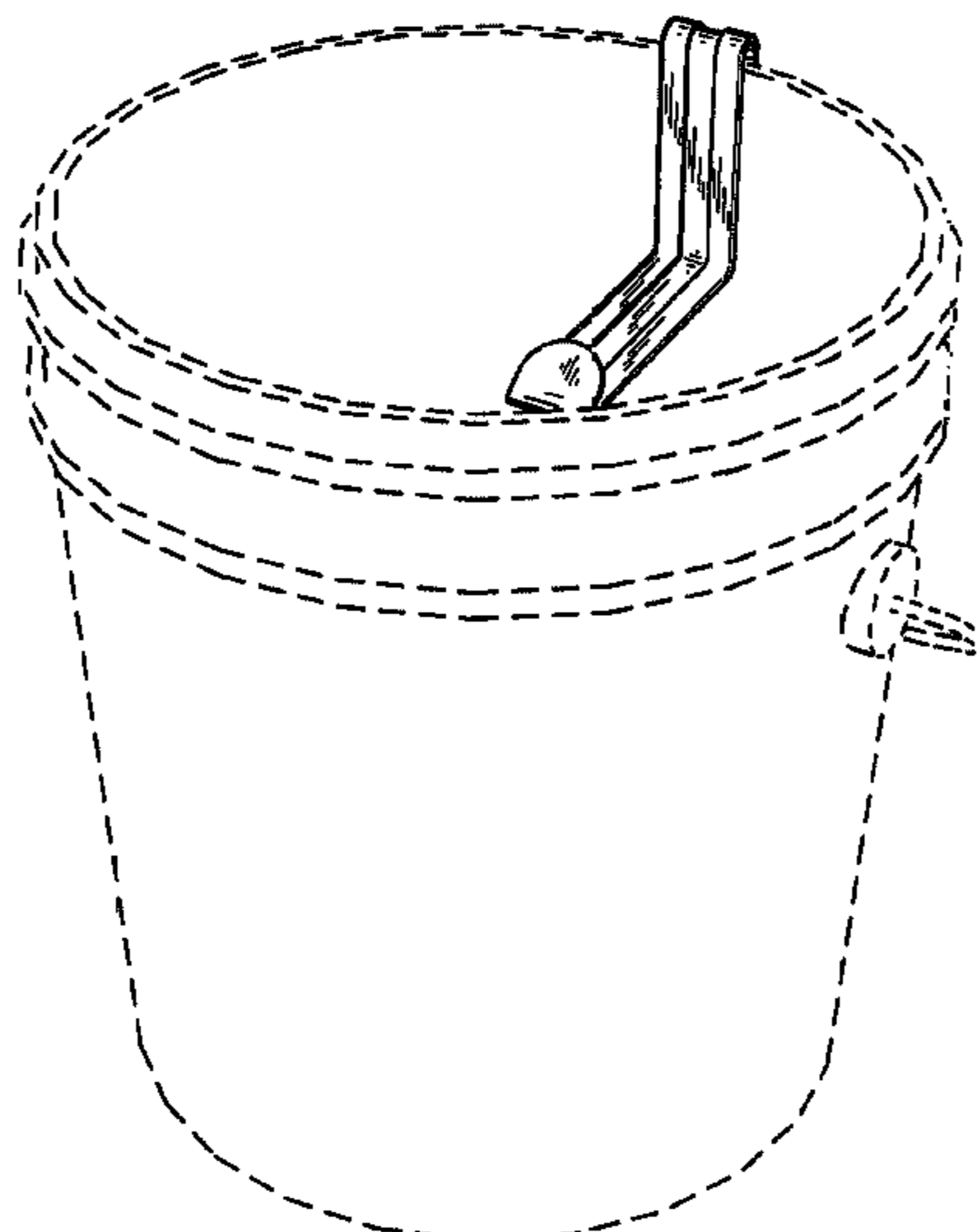
(57) **CLAIM**

The ornamental design for a mud pan bucket hook, as shown and described.

**DESCRIPTION**

FIG. 1 is a perspective view of a mud pan bucket hook showing my new design.  
FIG. 2 is a perspective view of a mud pan bucket hook of FIG. 1 in an operative position supporting a mud pan.  
FIG. 3 is a front elevational view of the mud pan bucket hook of FIG. 2.  
FIG. 4 is a rear elevational view thereof.  
FIG. 5 is a left side elevational view thereof.  
FIG. 6 is a right side elevational thereof.  
FIG. 7 is a top view thereof; and,  
FIG. 8 is a bottom view thereof.  
The broken lines showing of the bucket in FIG. 1 are included for the purpose of illustrating environment and form no part of the claimed design. The broken lines showing of the bucket and mud pan in FIG. 2 are included for the purpose of illustrating environment and form no part of the claimed design.

**1 Claim, 6 Drawing Sheets**



(56)

**References Cited**

U.S. PATENT DOCUMENTS

2012/0228293 A1 9/2012 Combs  
2014/0102925 A1 4/2014 Jacobson et al.

\* cited by examiner

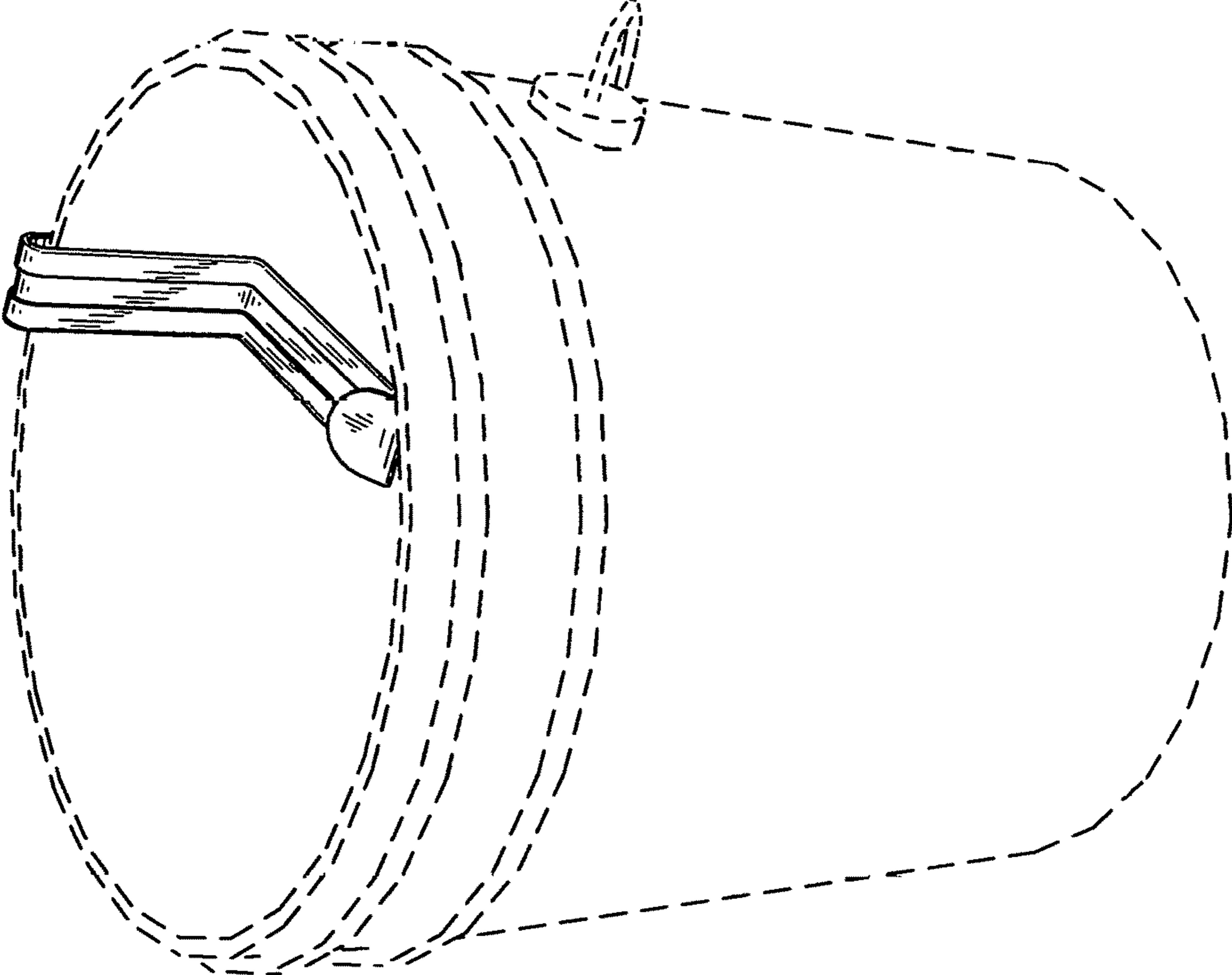


FIG. 1

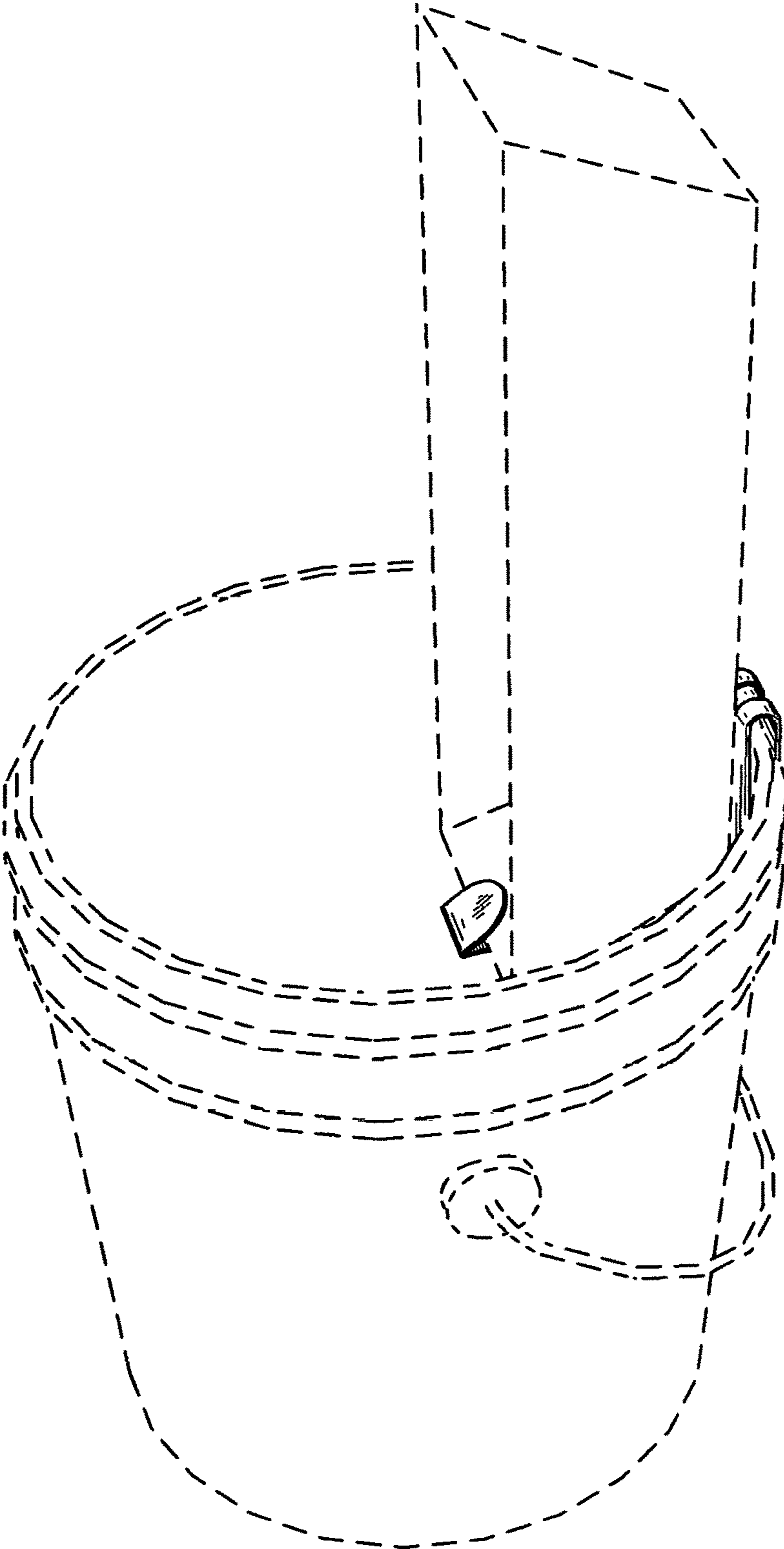


FIG. 2

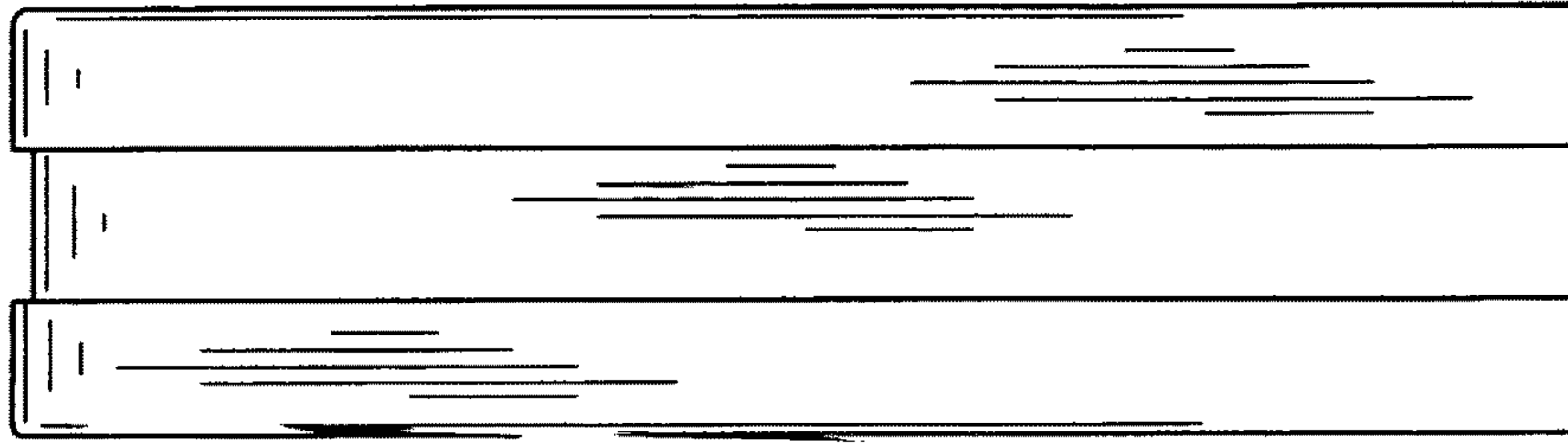


FIG. 4

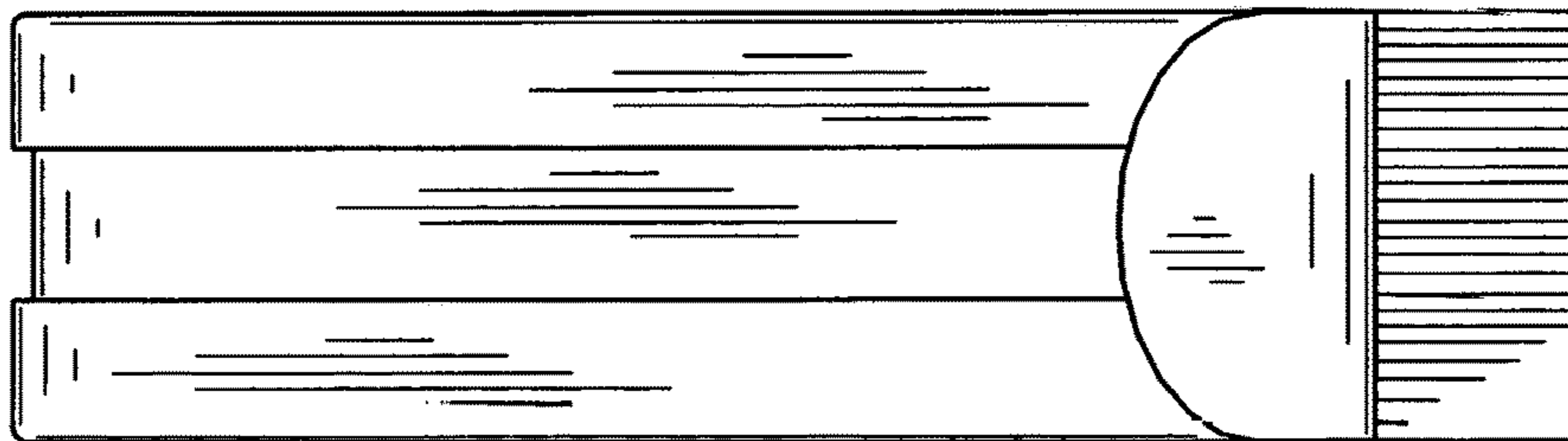


FIG. 3

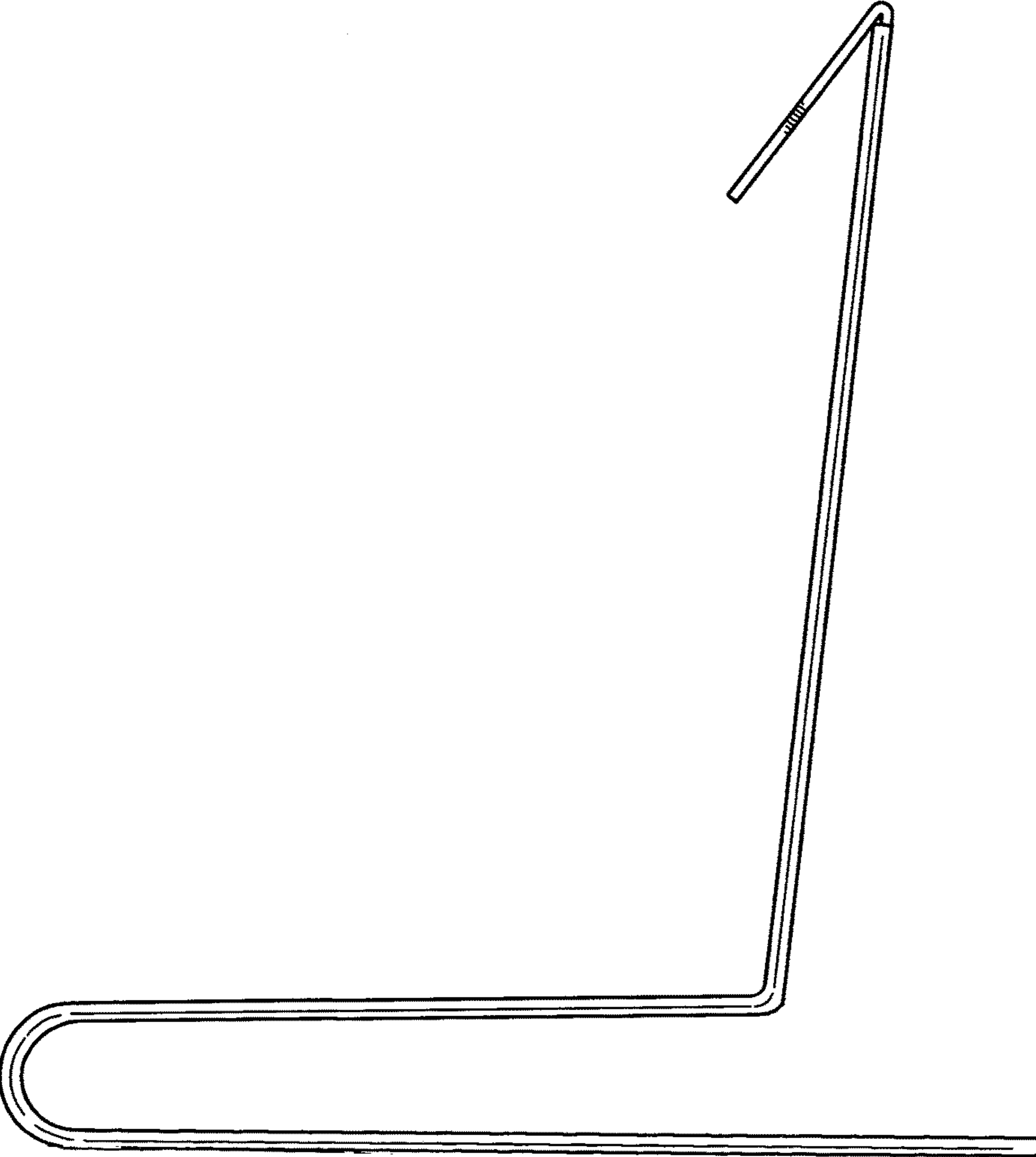


FIG. 5

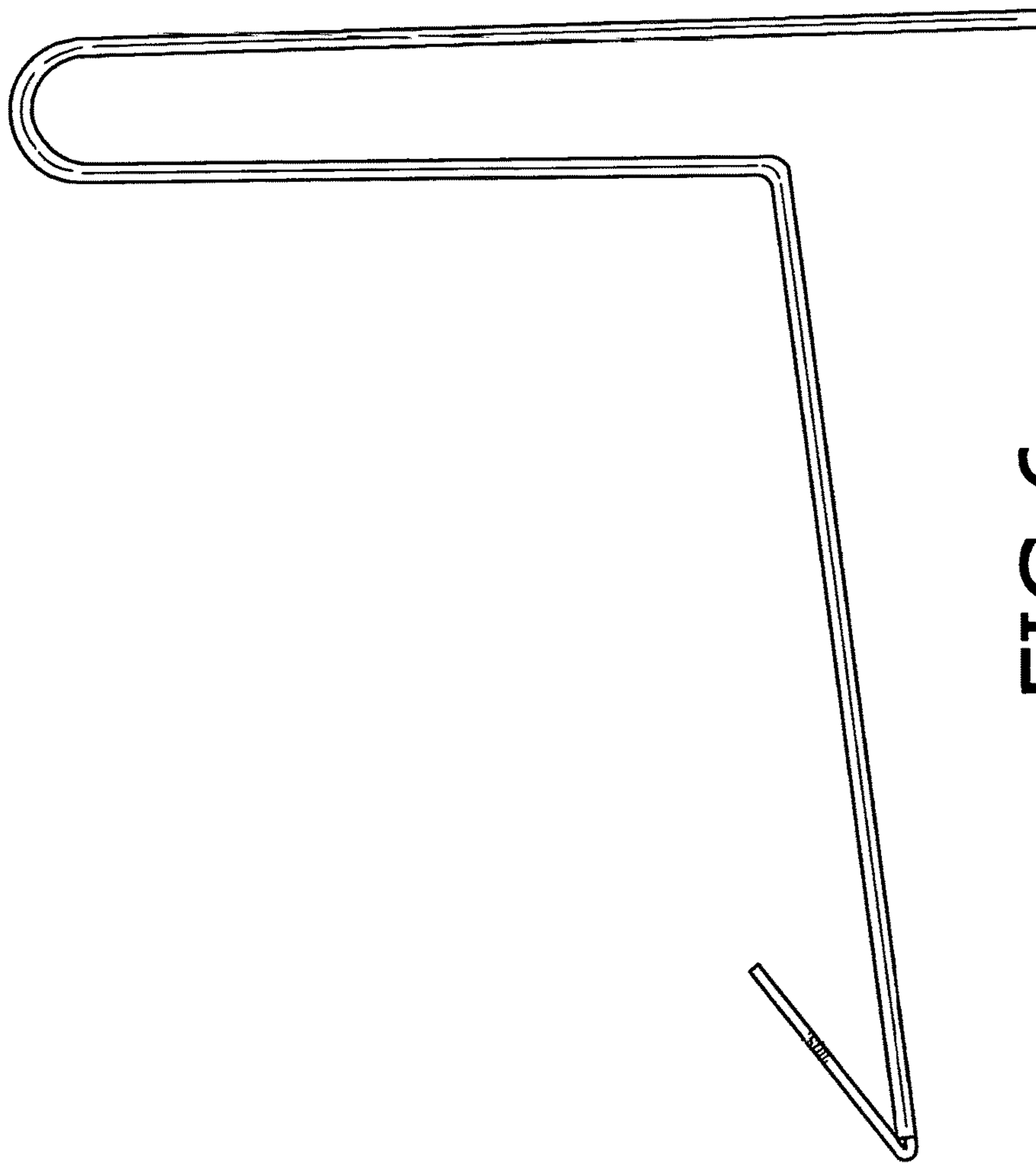


FIG. 6

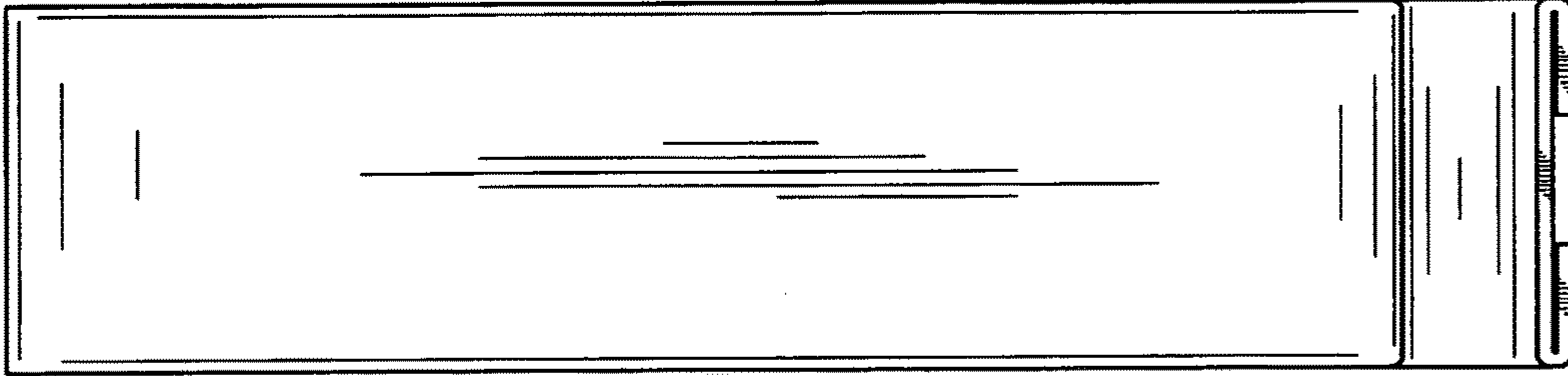


FIG. 8

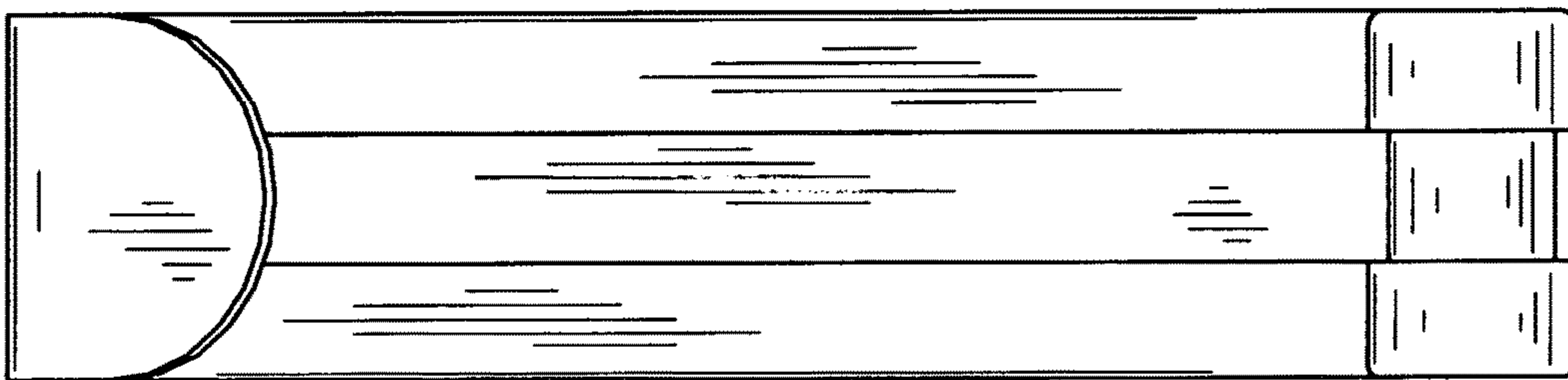


FIG. 7