



US00D810551S

(12) **United States Design Patent** (10) **Patent No.:** **US D810,551 S**  
**Zech** (45) **Date of Patent:** **\*\* \*Feb. 20, 2018**

(54) **HANDBAG HOLDER**  
(71) Applicant: **Ellen Zech**, Chicago, IL (US)  
(72) Inventor: **Ellen Zech**, Chicago, IL (US)

D374,312 S \* 10/1996 Edgar ..... D28/73  
D377,866 S \* 2/1997 Samples ..... D3/328  
D407,567 S \* 4/1999 Barnett ..... D3/315  
D417,115 S \* 11/1999 Creel ..... D6/567  
D425,746 S \* 5/2000 Jones ..... D6/567  
(Continued)

(73) Assignee: **CAPACIOUS CLOSETS, LLC**,  
Chicago, IL (US)

FOREIGN PATENT DOCUMENTS

(\* ) Notice: This patent is subject to a terminal disclaimer.

CN 201256868 6/2009  
JP H08258850 10/1996  
(Continued)

(\*\*) Term: **15 Years**

OTHER PUBLICATIONS

(21) Appl. No.: **29/554,974**  
(22) Filed: **Feb. 17, 2016**  
(51) **LOC (11) Cl.** ..... **08-05**  
(52) **U.S. Cl.**  
USPC ..... **D8/373; D3/328**  
(58) **Field of Classification Search**  
USPC ..... D3/221, 229, 232-246, 254, 255, 273,  
D3/281, 294, 300, 315, 318, 319, 320,  
D3/321, 322, 323, 324, 327, 328, 328.1,  
D3/329, 902-905; D6/300, 323, 327,  
D6/328, 553, 527; D8/316, 318, 356,  
D8/367, 370, 372, 373; D13/155, 157  
CPC ... A63B 47/001; A63B 57/0037; A63B 57/20;  
A63B 57/203  
See application file for complete search history.

Images of InterDesign Zia Swivel Hanging Handbag Holder  
obtained from www.amazon.com, last visited Jun. 12, 2014.

*Primary Examiner* — Susan E Krakower  
*Assistant Examiner* — L. A. Grabenstetter  
(74) *Attorney, Agent, or Firm* — Flener IP Law, LLC

(56) **References Cited**

U.S. PATENT DOCUMENTS

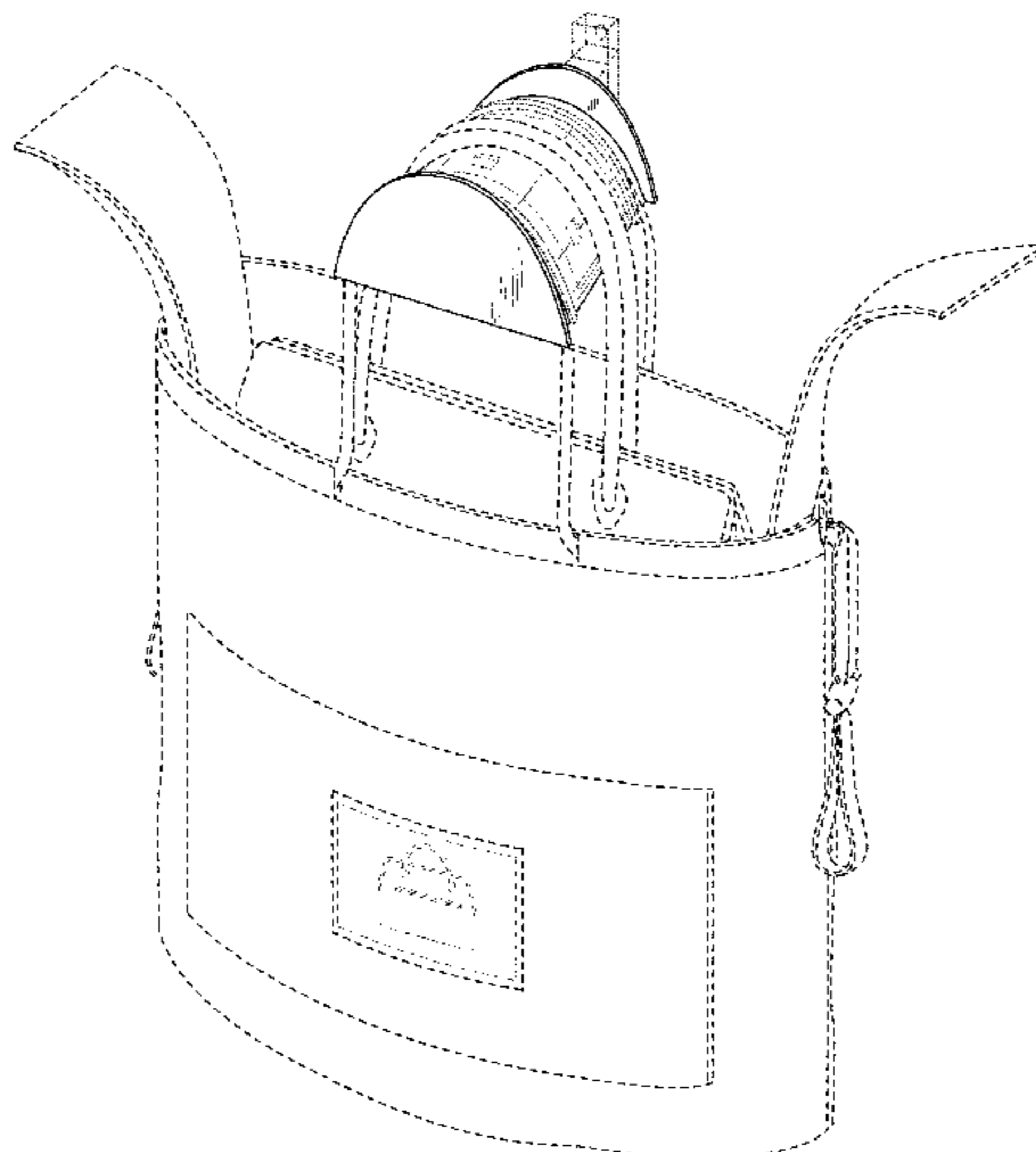
D172,771 S \* 8/1954 Terrell et al. .... D6/553  
3,638,890 A 2/1972 Burrell et al.  
D271,061 S \* 10/1983 Zimmerman ..... 224/163  
D289,255 S \* 4/1987 Chasen ..... D6/323  
5,005,791 A 4/1991 Lanzen  
5,246,190 A 9/1993 Swirkal  
D348,359 S \* 7/1994 Hasselbeck ..... D6/328  
D361,007 S \* 8/1995 McGlothlin ..... D6/567  
D362,987 S \* 10/1995 Laib ..... D6/567  
D366,959 S \* 2/1996 Pappalardo ..... D3/320

(57) **CLAIM**  
The ornamental design for a handbag holder, as shown and described.

**DESCRIPTION**

FIG. 1 is a perspective view of a handbag holder showing the new design with an environmental handbag and cover.  
FIG. 2 is a perspective view of the bottom of the holder of FIG. 1.  
FIG. 3 is a front view of the holder of FIG. 1.  
FIG. 4 is a rear view of the holder of FIG. 1.  
FIG. 5 is a left view of the holder of FIG. 1.  
FIG. 6 is a right view of the holder of FIG. 1.  
FIG. 7 is a top view of the holder of FIG. 1; and,  
FIG. 8 is a bottom view of the holder of FIG. 1.  
The dash-dot-dash broken lines on the surface of the article depict unclaimed portions of the handbag holder. The dash-dash broken lines depicting a handbag and cover represent unclaimed environmental structure.

**1 Claim, 4 Drawing Sheets**



(56)

**References Cited**

U.S. PATENT DOCUMENTS

D446,190	S *	8/2001	Wakileh .....	D13/155
D485,745	S *	1/2004	Sung .....	D8/373
6,715,260	B1	4/2004	Matteis	
6,726,156	B1	4/2004	Scola	
D545,568	S *	7/2007	Laga .....	D3/315
D575,090	S *	8/2008	Van Beuningen .....	D6/553
D632,989	S	2/2011	Heroux	
8,640,890	B2	2/2014	Schiller	
D700,504	S *	3/2014	Blocker .....	D8/367
D712,663	S *	9/2014	Gasparino .....	D3/328
D717,550	S *	11/2014	Harden .....	D6/323
D748,458	S *	2/2016	Zech .....	D8/373
2016/0095404	A1 *	4/2016	Zech .....	A45C 13/001 383/15

FOREIGN PATENT DOCUMENTS

JP	2005212828	8/2005
JP	2005348759	12/2005
JP	2013146503	8/2013
KR	20130026660	3/2013

\* cited by examiner

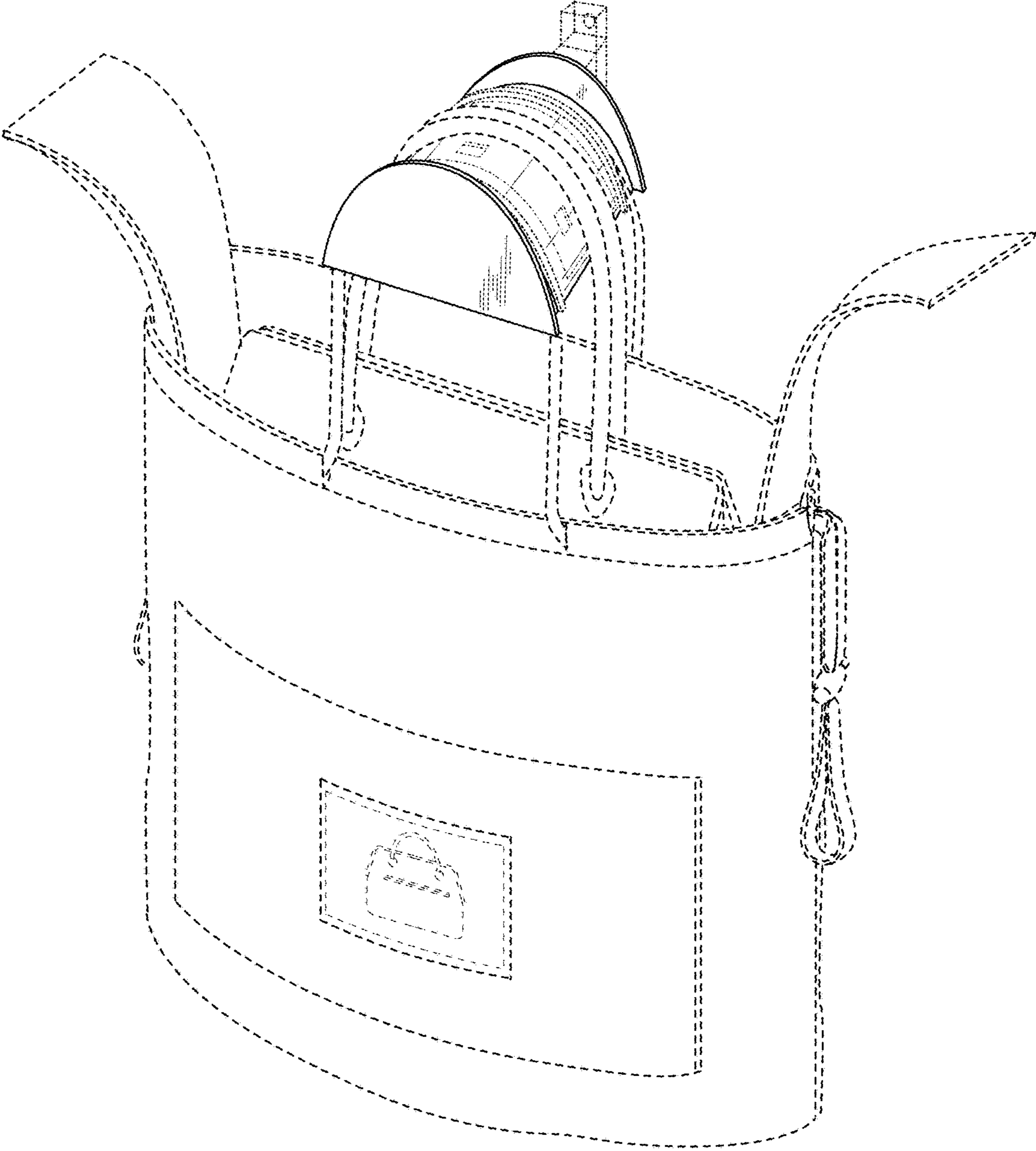
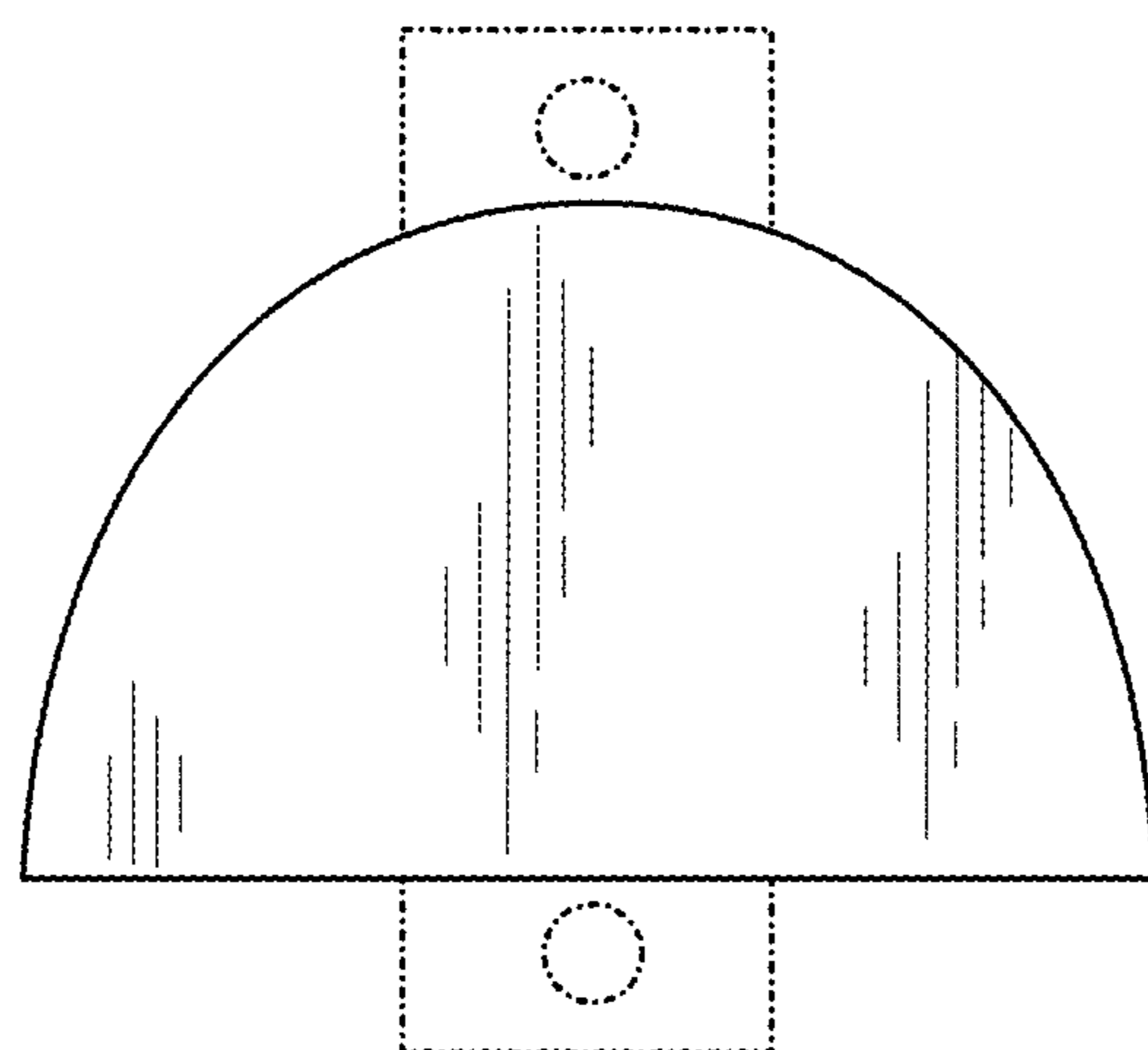
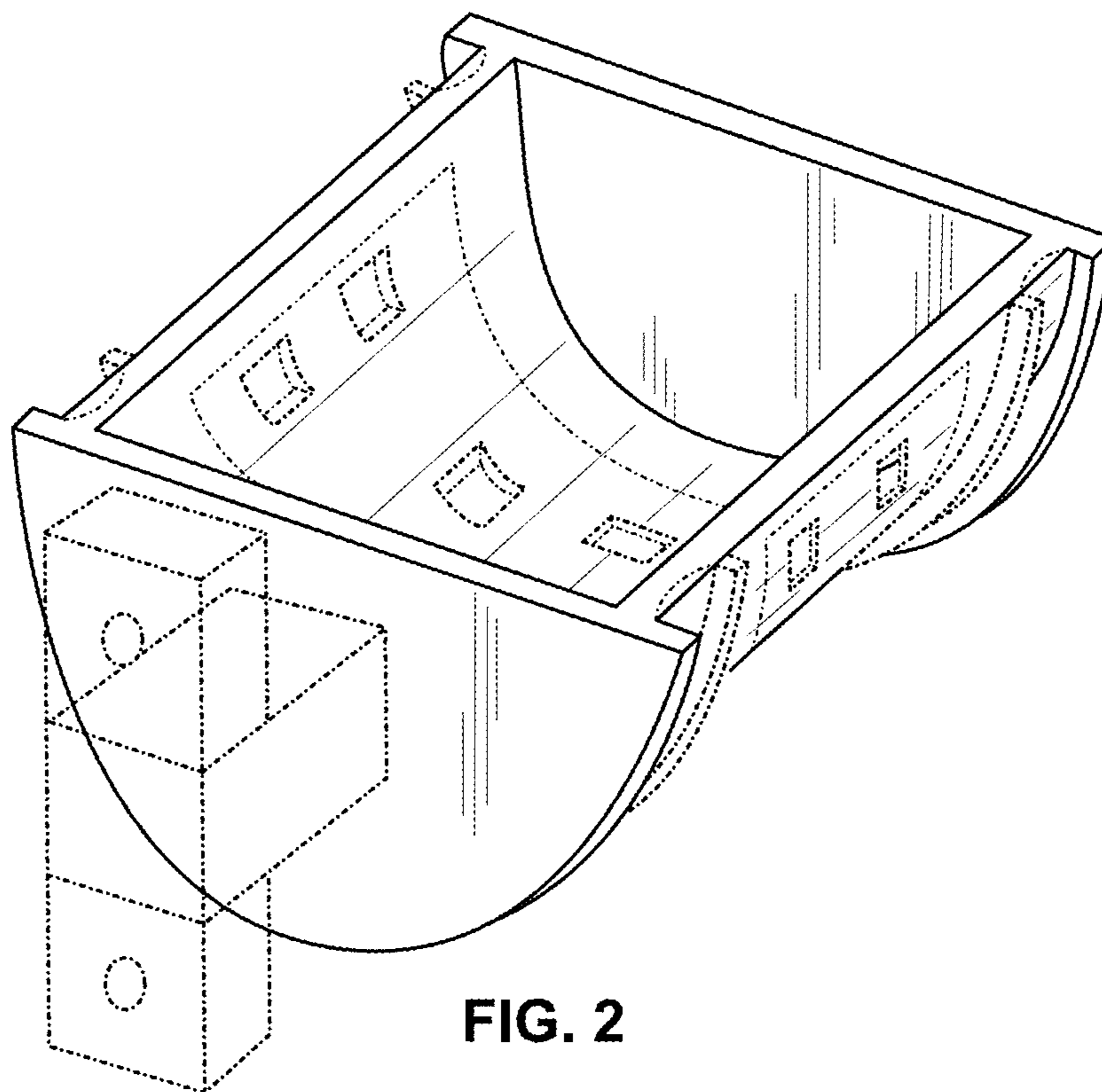


FIG. 1



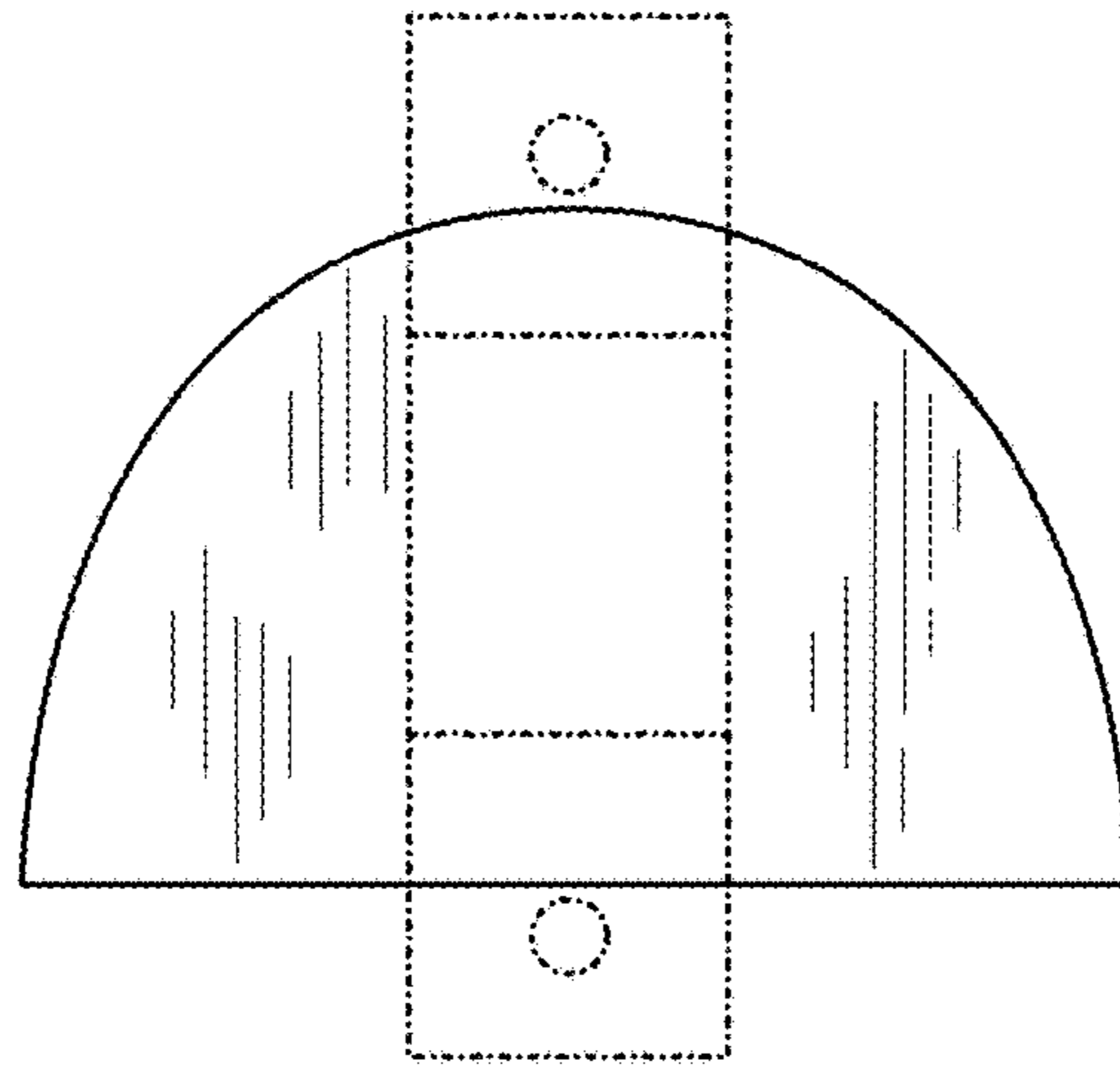


FIG. 4

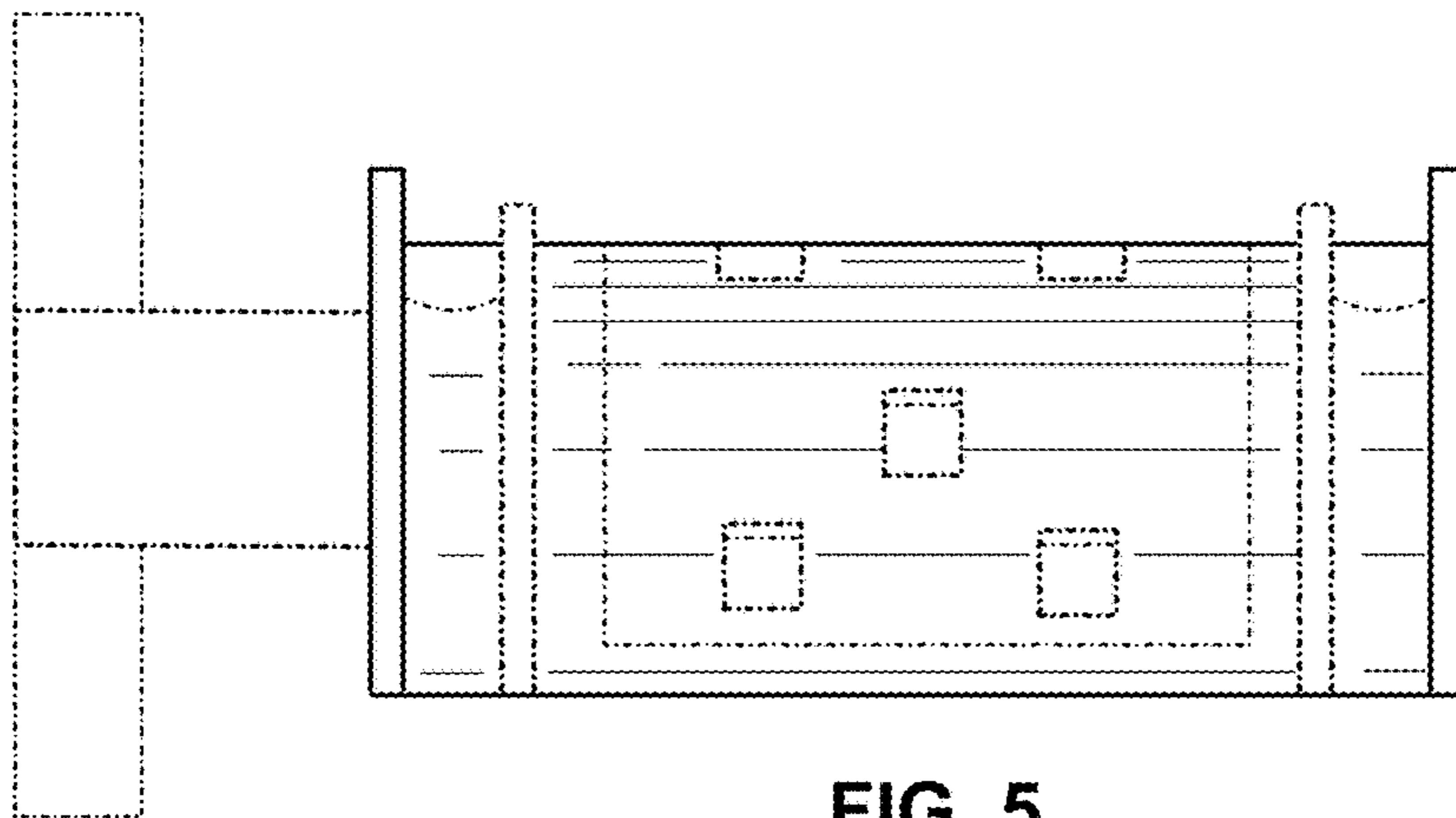


FIG. 5

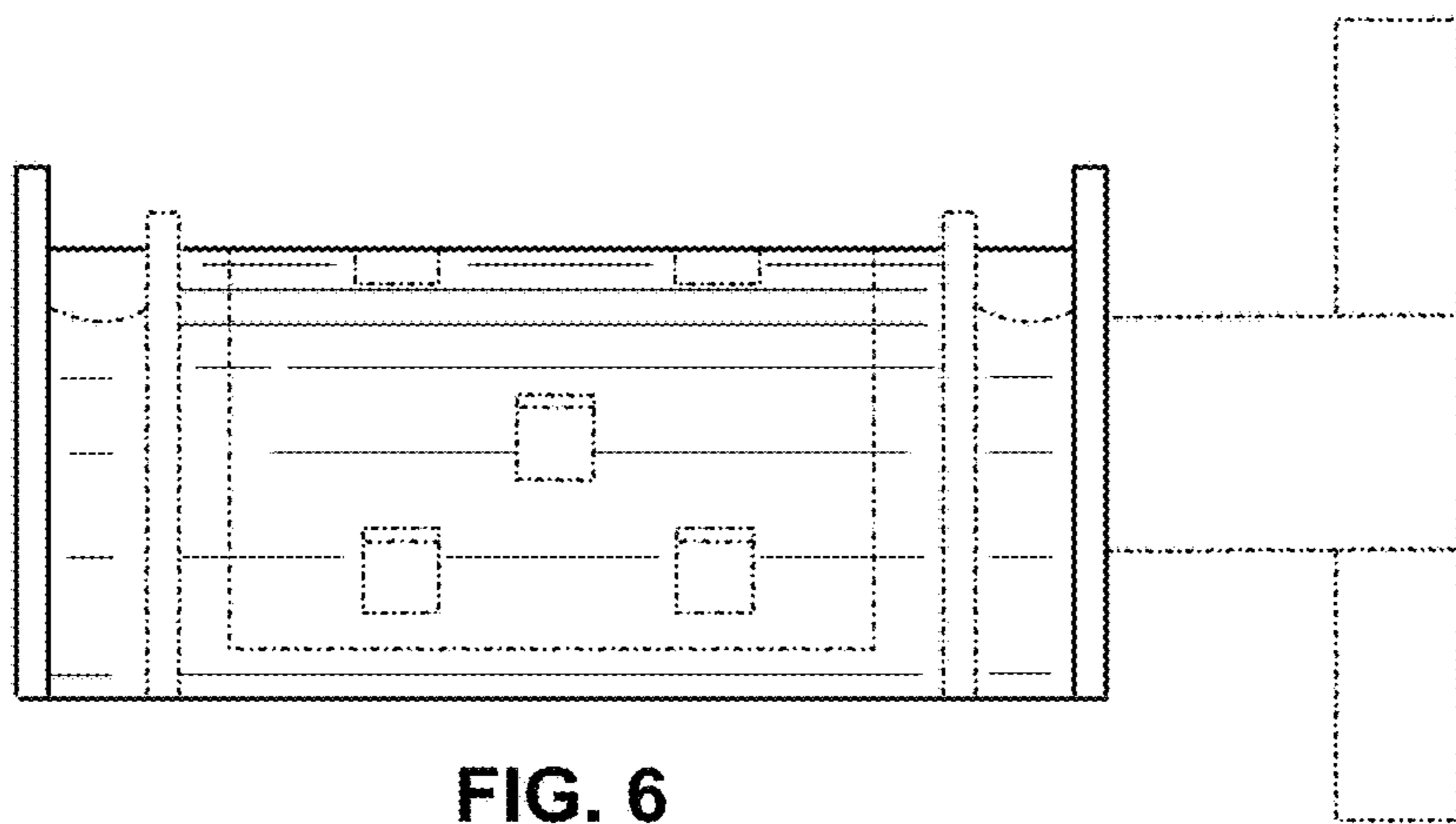


FIG. 6

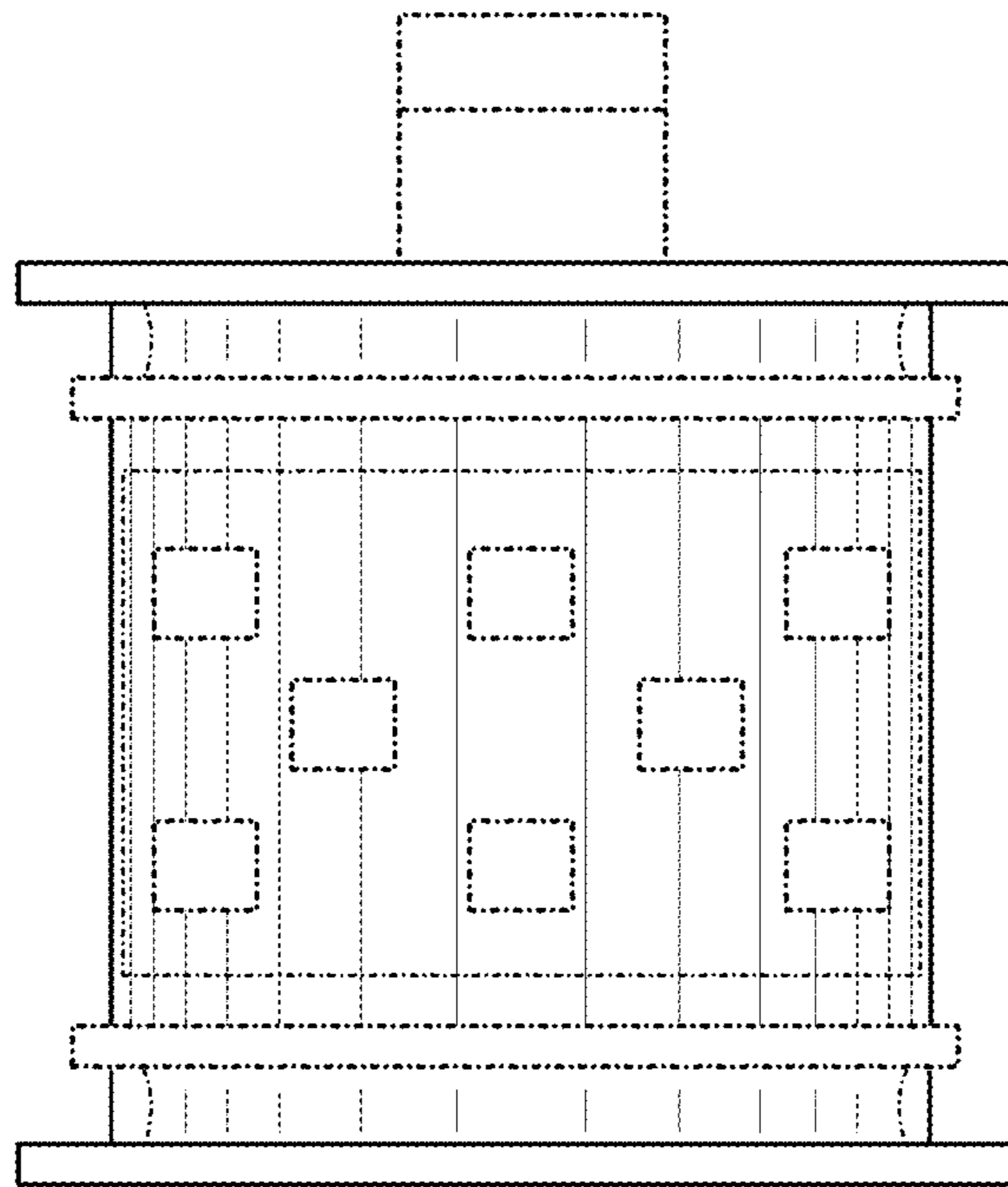


FIG. 7

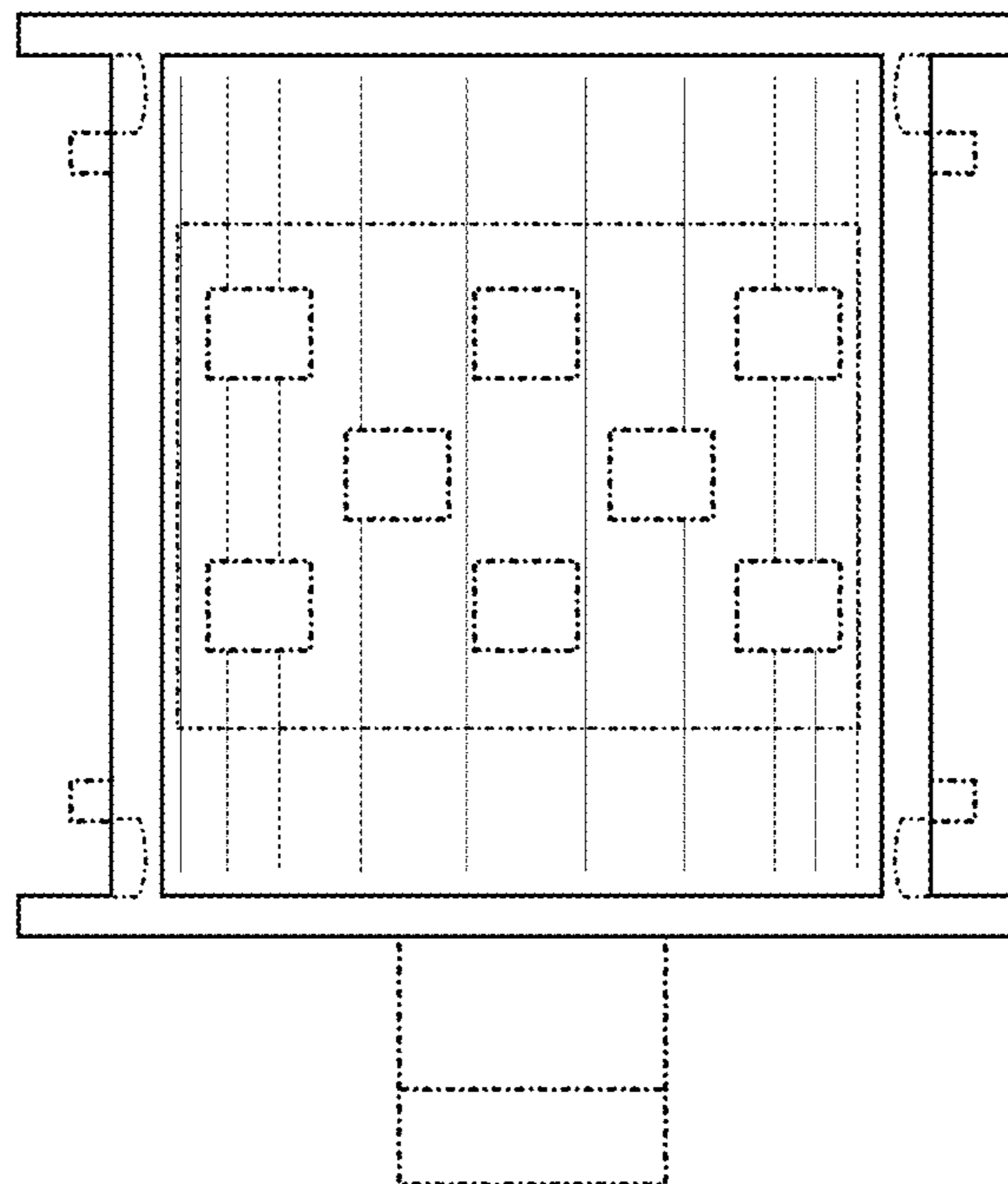


FIG. 8