



US00D810550S

(12) **United States Design Patent** (10) **Patent No.:** **US D810,550 S**
Haynie (45) **Date of Patent:** **** Feb. 20, 2018**

(54) **EQUIPMENT HOLDER**
(71) Applicant: **Travis Haynie**, Phoenix, AZ (US)
(72) Inventor: **Travis Haynie**, Phoenix, AZ (US)
(**) Term: **15 Years**
(21) Appl. No.: **29/567,550**
(22) Filed: **Jun. 9, 2016**
(51) **LOC (11) Cl.** **08-05**
(52) **U.S. Cl.**
USPC **D8/372**
(58) **Field of Classification Search**
USPC D6/553, 512-514, 566, 567, 569, 315,
D6/320, 327; 211/13.1, 30, 32, 70.6,
211/56.01, 87.01, 181.1; D8/349, 354,
D8/367, 372; 248/301-304, 309.1, 309.2,
248/560, 121, 175, 200, 310, 312, 174
CPC . G06F 1/1628; A45F 5/00; A45F 3/14; A45C
11/00
See application file for complete search history.

D558,497 S * 1/2008 Murphy D6/514
7,387,287 B2 * 6/2008 Boltz H02G 3/32
211/175
D608,181 S * 1/2010 Koizumi D8/354
(Continued)

Primary Examiner — David G Muller
Assistant Examiner — Nathan M Johnston
(74) *Attorney, Agent, or Firm* — Lewis Roca Rothgerber
Christie LLP

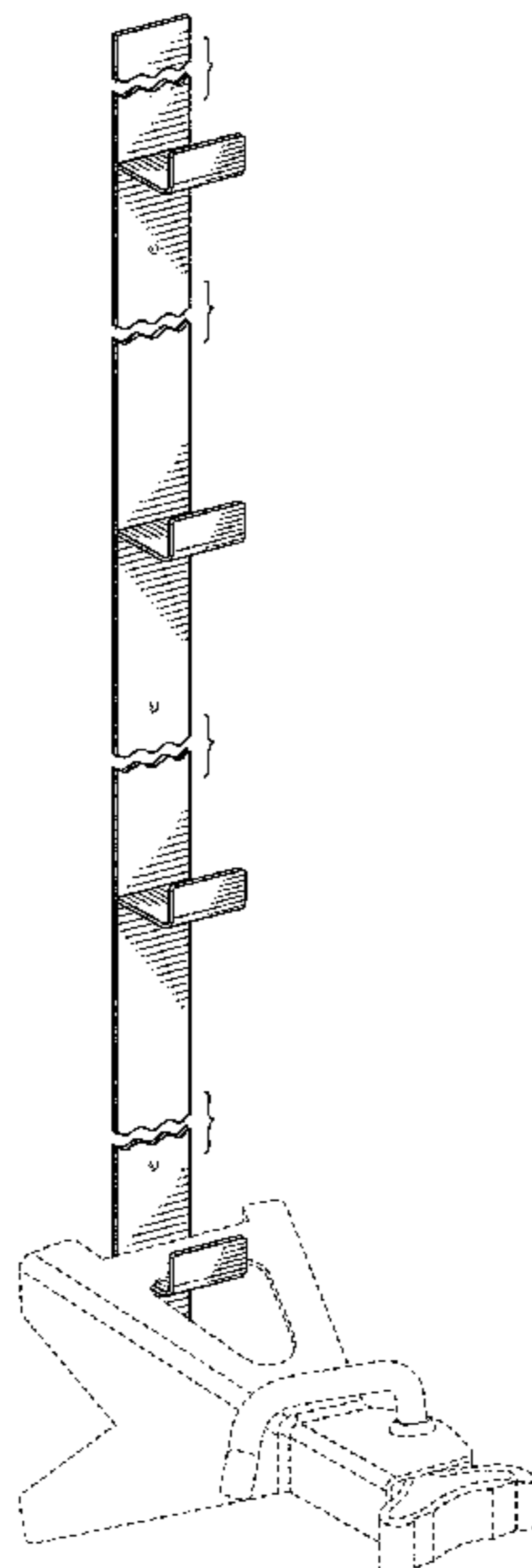
(57) **CLAIM**
The ornamental design for an equipment holder, as shown
and described.

DESCRIPTION

FIG. 1 is a perspective view of an exemplary embodiment of
a design for an equipment holder showing my new design;
FIG. 2 is another perspective view thereof;
FIG. 3 is a left side elevation view thereof;
FIG. 4 is a right side elevation view thereof;
FIG. 5 is a top plan view thereof;
FIG. 6 is a bottom plan view thereof;
FIG. 7 is a front elevation view thereof; and
FIG. 8 is a rear elevation view thereof.
FIG. 9 is a perspective view of a second embodiment of a
design for an equipment holder;
FIG. 10 is another perspective view thereof;
FIG. 11 is a left side elevation view thereof;
FIG. 12 is a right side elevation view thereof;
FIG. 13 is a top plan view thereof;
FIG. 14 is a bottom plan view thereof;
FIG. 15 is a front elevation view thereof; and,
FIG. 16 is a rear elevation view thereof.
The features shown in broken lines depict environmental
subject matter only and form no part of the claimed design.
The equipment holder is shown with a symbolic break in its
length. The appearance of any portion of the article between
the break lines forms no part of the claimed design.

1 Claim, 10 Drawing Sheets

(56) **References Cited**
U.S. PATENT DOCUMENTS
D219,989 S * 2/1971 Grantonic D6/320
D228,737 S * 10/1973 Mathews D8/356
D268,890 S * 5/1983 Morin D6/553
D297,412 S * 8/1988 Allen D6/553
D302,519 S * 8/1989 Butler 248/312
D324,960 S * 3/1992 Rodack D6/320
D367,574 S * 3/1996 Werner D6/514
D377,309 S * 1/1997 Hofman D8/372
D384,231 S * 9/1997 Burns D6/514
D394,600 S * 5/1998 McCoy D8/354
D405,999 S * 2/1999 Lee D6/569
D423,325 S * 4/2000 Liss D8/349
D451,785 S * 12/2001 Chaney D8/354
D466,796 S * 12/2002 Lacey D8/372



(56)

References Cited

U.S. PATENT DOCUMENTS

D628,459 S * 12/2010 Minkley D8/349
D767,907 S * 10/2016 Goodman D6/323
D785,442 S * 5/2017 Tseng D8/354
2013/0015148 A1* 1/2013 Valiulis A47F 5/0006
211/59.2
2013/0032554 A1* 2/2013 Namngani A47B 17/033
211/69.5

* cited by examiner

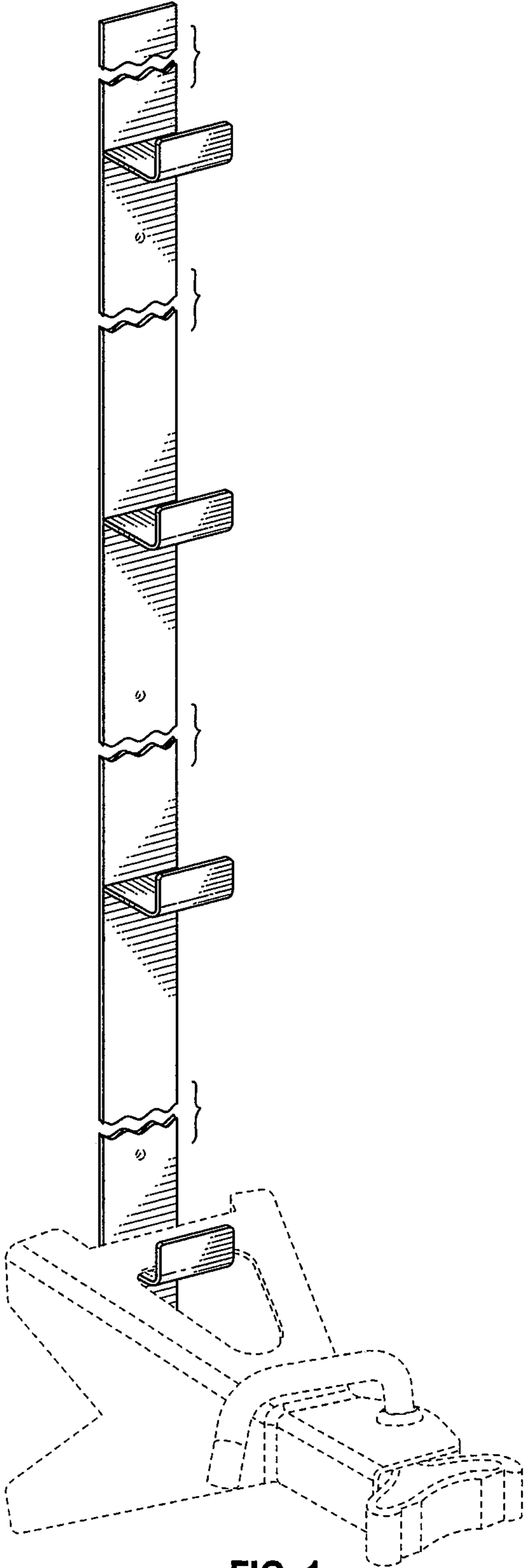


FIG. 1

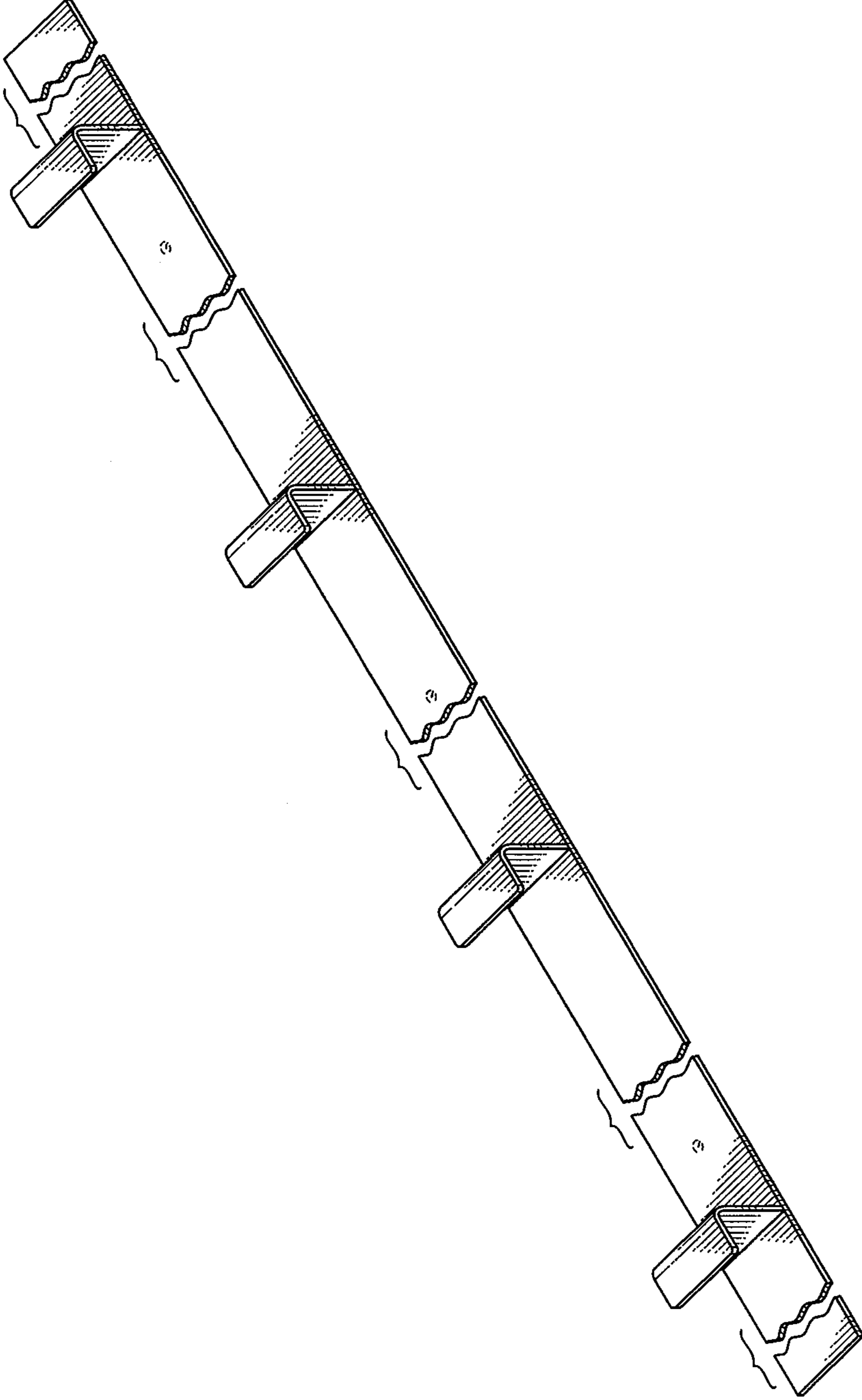


FIG. 2

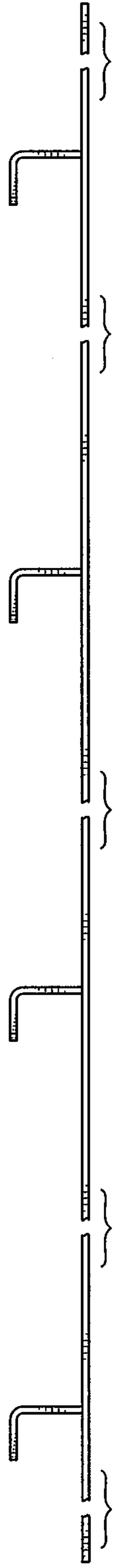


FIG. 3

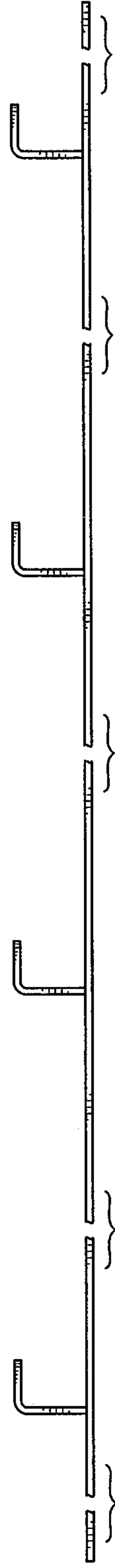


FIG. 4

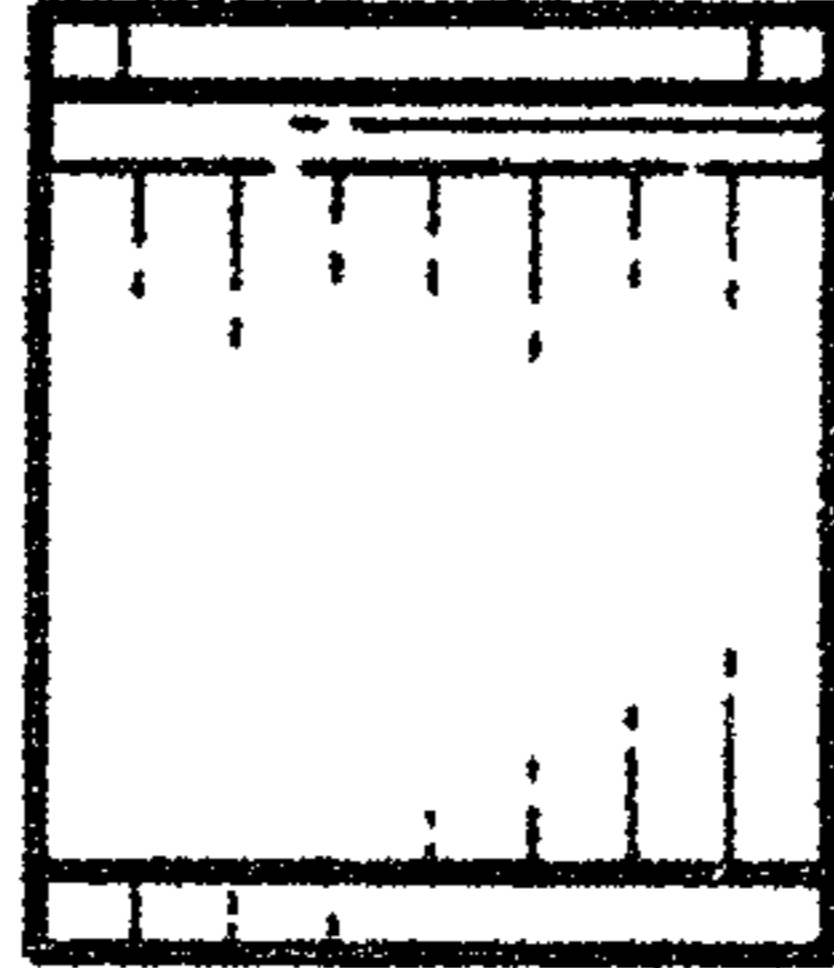


FIG. 5

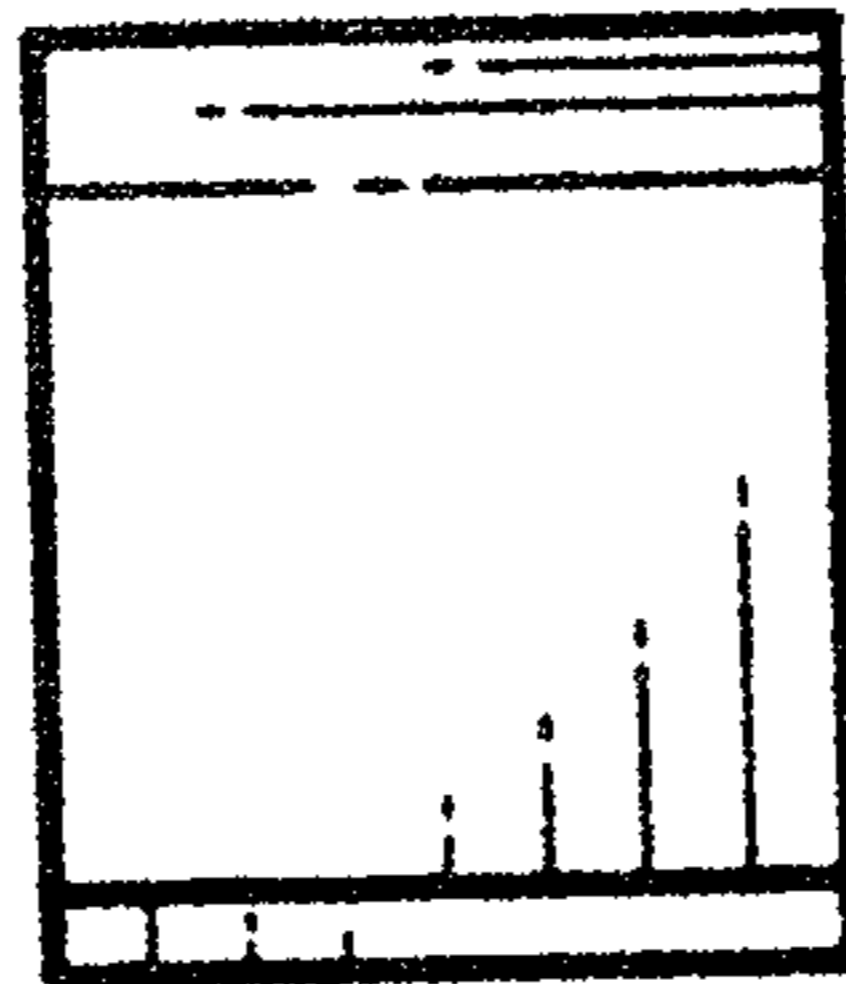


FIG. 6



FIG. 7



FIG. 8

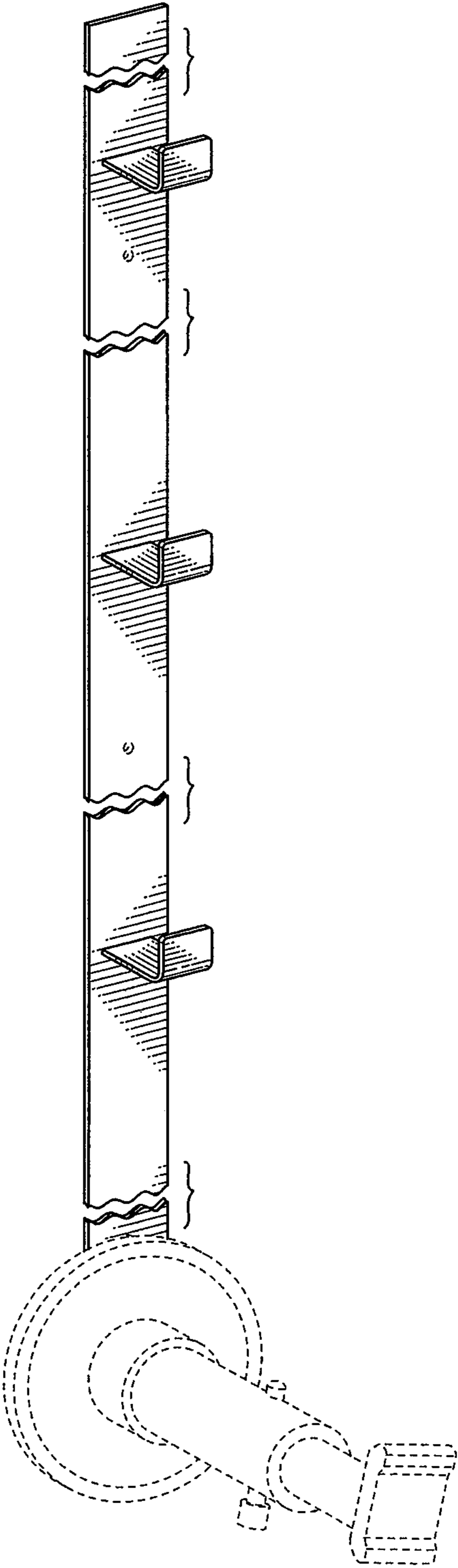


FIG. 9

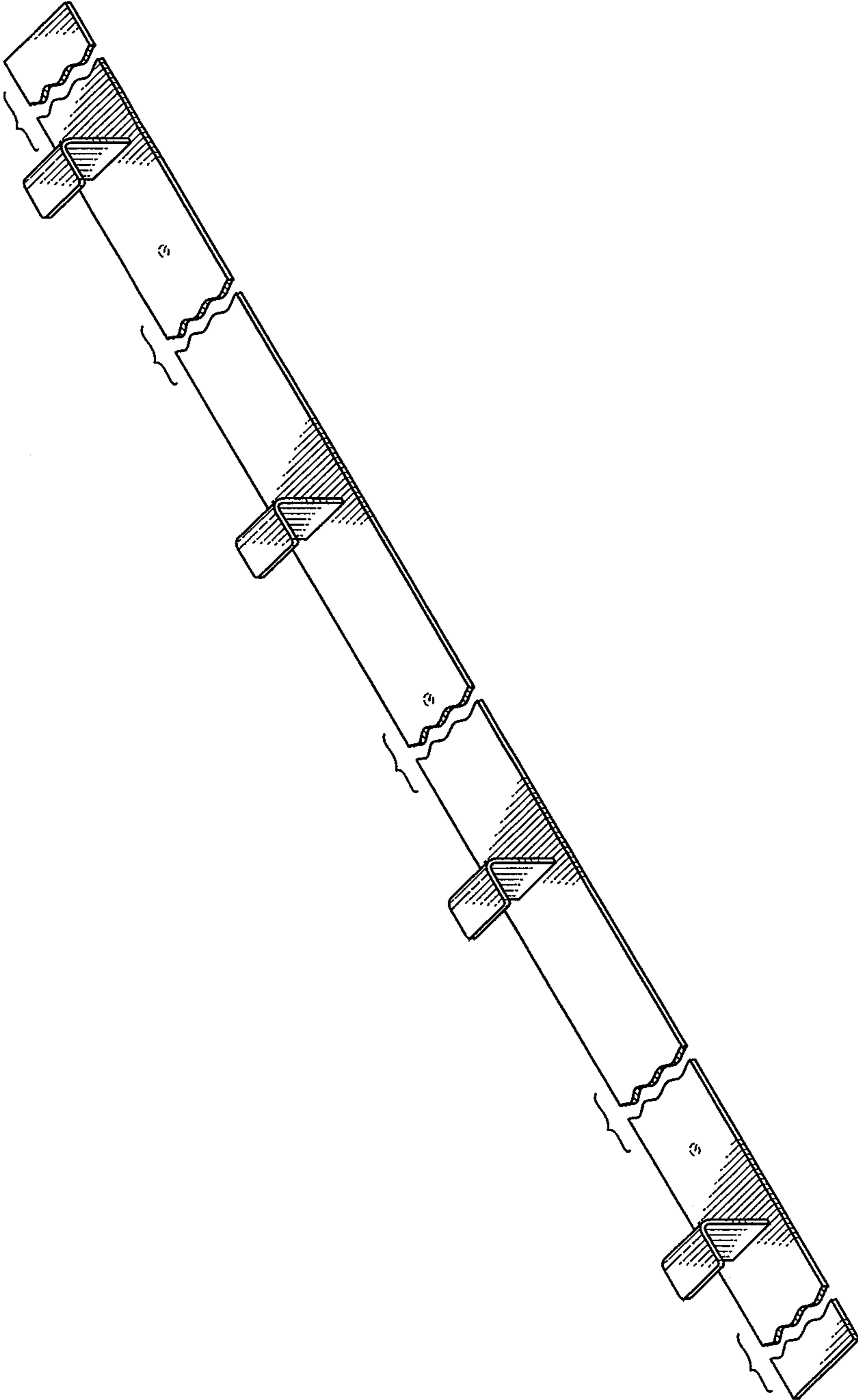


FIG. 10



FIG. 11

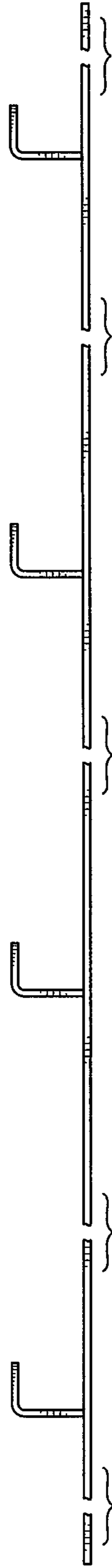


FIG. 12

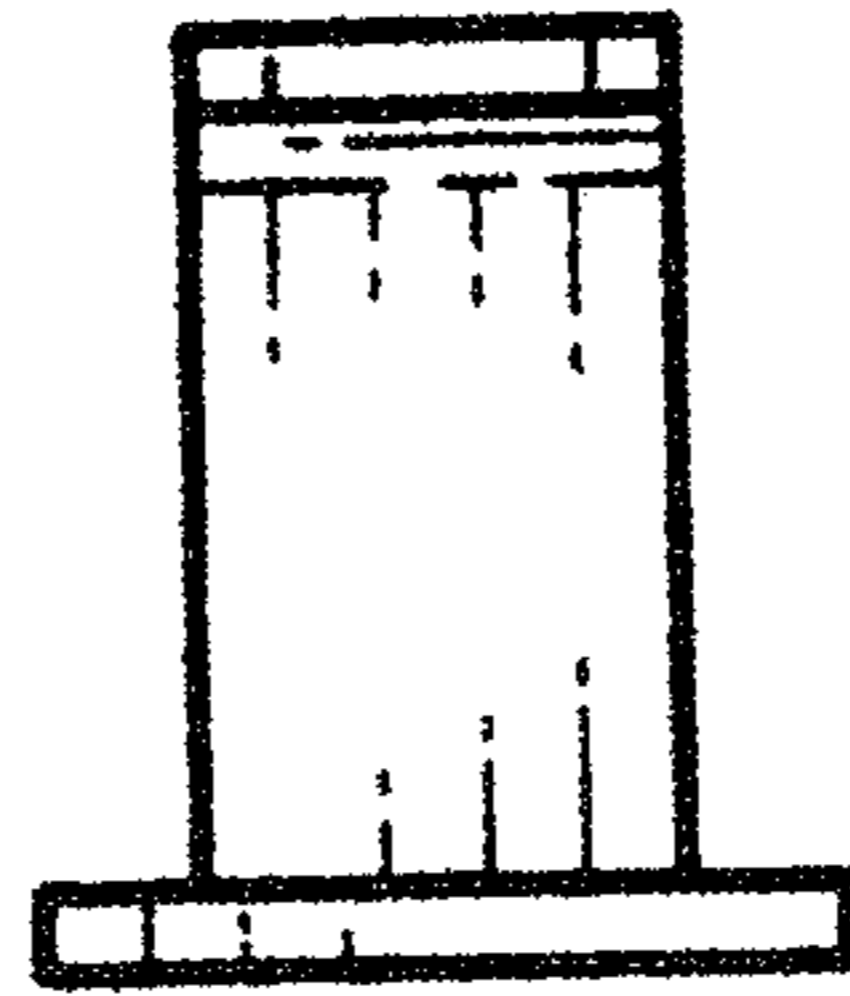


FIG. 13

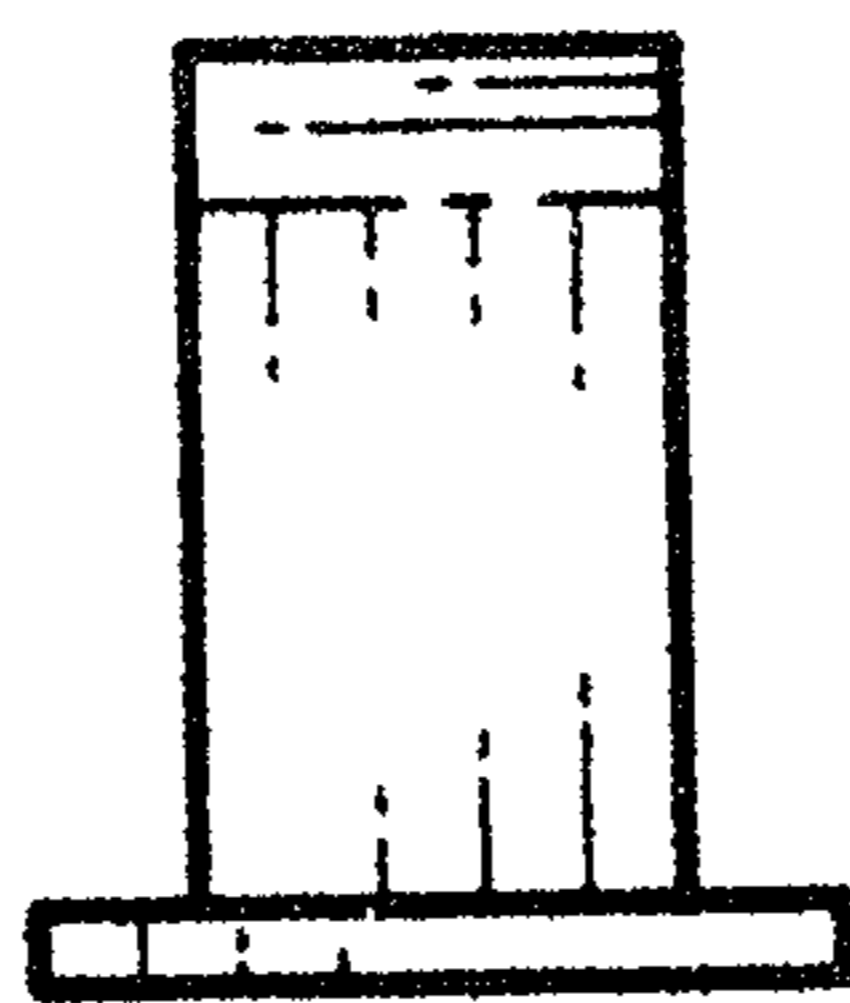


FIG. 14



FIG. 15

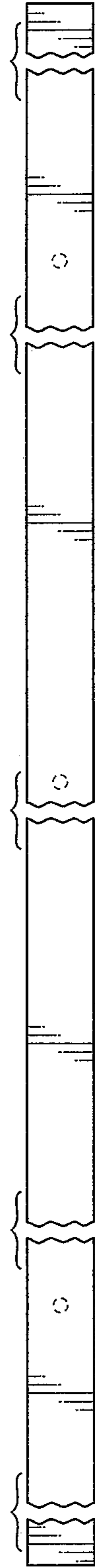


FIG. 16