



US00D810549S

(12) **United States Design Patent** (10) **Patent No.:** **US D810,549 S**
Klein et al. (45) **Date of Patent:** **** Feb. 20, 2018**

(54) **OVER DOOR ACCESSORY HOOKS**

(71) Applicant: **LYNK, INC.**, Lenexa, KS (US)

(72) Inventors: **Richard B. Klein**, Overland Park, KS (US); **Mark A. Etter**, Independence, MO (US)

(73) Assignee: **LYNK, INC.**, Lenexa, KS (US)

(**) Term: **15 Years**

(21) Appl. No.: **29/553,891**

(22) Filed: **Feb. 5, 2016**

(51) **LOC (11) Cl.** **08-05**

(52) **U.S. Cl.**
USPC **D8/372**

(58) **Field of Classification Search**
USPC D6/512-514, 553, 566, 567, 569, 315, D6/320, 327; 211/13.1, 30, 32, 70.6, 211/56.01, 87.01, 181.1; 248/301-304, 248/309.1, 309.2; D8/349, 354, 367, 372; D25/38; D26/51
CPC E05Y 2900/132; A63B 21/1663; A63B 21/4035; Y10S 482/904
See application file for complete search history.

(56) **References Cited**

U.S. PATENT DOCUMENTS

D190,608 S *	6/1961	Forrester	211/119
D328,193 S *	7/1992	Gossett	D6/315
5,433,413 A *	7/1995	Adams	A47G 1/17 248/205.3
5,553,823 A *	9/1996	Protz, Jr.	A01G 5/04 248/215
D384,268 S *	9/1997	Jones	D8/367
D397,288 S *	8/1998	Johanson	D8/372
D415,913 S *	11/1999	Ernst	D6/512
D422,198 S *	4/2000	Snell	D6/323
D455,947 S *	4/2002	Goodman	D8/354
D485,156 S *	1/2004	Moore	D8/367

D489,252 S *	5/2004	Cheng	D8/372
D507,961 S *	8/2005	Goodman	D6/323
D557,595 S *	12/2007	Ernst	D8/367
D566,405 S *	4/2008	Belokin	D6/315
D578,312 S *	10/2008	Belokin	D6/315
D600,099 S *	9/2009	Dahlin	D8/367
D607,311 S *	1/2010	Snider	D8/367
D609,556 S *	2/2010	Adams	D8/367
7,661,917 B2 *	2/2010	Horvath	F16B 13/002 248/304
D628,053 S *	11/2010	Goodman	D8/372

(Continued)

OTHER PUBLICATIONS

U.S. Appl. No. 29/527,301, filed May 18, 2015, Klein.
(Continued)

Primary Examiner — David G Muller
Assistant Examiner — Nathan M Johnston
(74) *Attorney, Agent, or Firm* — Stinson Leonard Street LLP

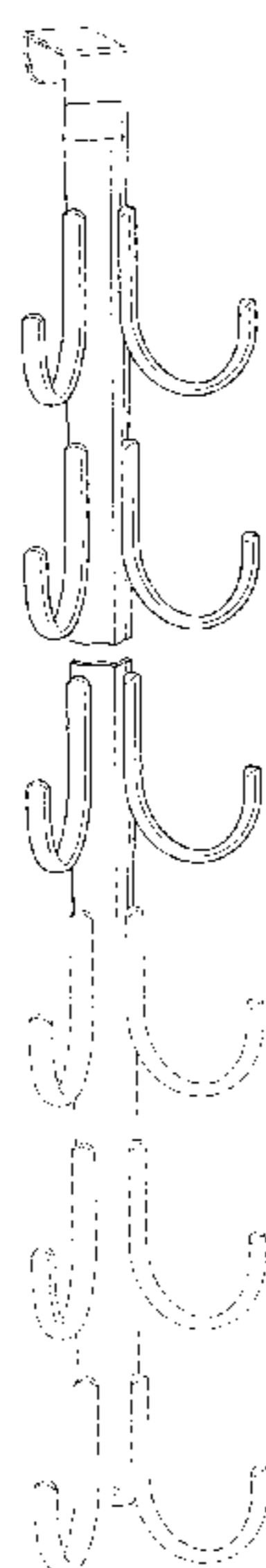
(57) **CLAIM**

The ornamental design for over door accessory hooks, as shown and described.

DESCRIPTION

FIG. 1 is a front perspective view of the over door accessory hooks;
FIG. 2 is a front elevation view thereof;
FIG. 3 is a rear elevation view thereof;
FIG. 4 is right side elevation view thereof;
FIG. 5 is a left side elevation view thereof;
FIG. 6 is a top plan view thereof; and,
FIG. 7 is a bottom plan view thereof.
The over door accessory hooks is shown with a symbolic break in its length. The appearance of any portion of the article between the break lines forms no part of the claimed design.

1 Claim, 4 Drawing Sheets



(56)

References Cited

U.S. PATENT DOCUMENTS

D648,208	S *	11/2011	Platt	D8/367
D669,344	S *	10/2012	Martin	D8/367
D692,683	S *	11/2013	Coraluzzo	D6/514
2003/0189147	A1 *	10/2003	Immerman	A47G 1/17 248/304
2005/0067544	A1 *	3/2005	Melton	F16B 45/00 248/304
2010/0243845	A1 *	9/2010	Lepine	B25H 3/00 248/315

OTHER PUBLICATIONS

Website Advertisement, The Container Store, "Axis 8-Hook Wall-Mounted Rack", downloaded from the internet on Aug. 7, 2014 at www.containerstore.com/shop/closet/accessoryStorage/scarves?productId=10030098&N=159 (2 pgs).

Website Advertisement, Bed Bath & Beyond, "InterDesign® York Lyra Over-The-Door 5-Hook Rack", downloaded from the internet on Aug. 7, 2014 at www.bedbathandbeyond.com/store/product/interdesign-reg-york-lyra-over-the-door-5-hook-rack/1017947788?categoryId=12210 (2 pgs).

Website Advertisement, Bed Bath & Beyond, "Rubberized Over The Door Hook Rack in Gray", downloaded from the internet on Aug. 7, 2014 at www.bedbathandbeyond.com/store/product/rubberized-over-the-door-hook-rack-in-gray/1042323853?categoryId=12210 (2 pgs).

Website Advertisement, Bed Bath & Beyond, "OXO Good Grips® Over-The-Door Hook Rack in Stainless Steel", downloaded from the internet on Aug. 7, 2014 at www.bedbathandbeyond.com/store/product/oxo-good-grips-reg-over-the-door-hook-rack-in-stainless-steel/1041500538?categoryId=12210 (2 pgs).

Website Advertisement, Bed Bath & Beyond, "Heritage Over-The-Door 5-Hook Rack in Brushed Nickel", downloaded from the internet on Aug. 7, 2014 at www.bedbathandbeyond.com/store/product/heritage-over-the-door-5-hook-rack-in-brushed-nickel/1041969311?categoryId=12210 (2 pgs).

Website Advertisement, Bed Bath & Beyond, "Rubber-Coated Over-The-Door Hook Rack", downloaded from the internet on Aug. 7, 2014 at www.bedbathandbeyond.com/store/product/rubber-coated-over-the-door-hook-rack/1041180792?categoryId=12210 (2 pgs).

Website Advertisement, Bed Bath & Beyond, "Heavy Duty Over The Door Hook Rack", downloaded from the internet on Aug. 7, 2014 at www.bedbathandbeyond.com/store/product/heavy-duty-over-the-door-hook-rack/1040631172?categoryId=12210 (2 pgs).

Website Advertisement, Bed Bath & Beyond, "Over-The-Door Hook Rack with Towel Bar", downloaded from the internet on Aug. 7, 2014 at www.bedbathandbeyond.com/store/product/over-the-door-hook-rack-with-towel-bar/1041564028?categoryId=12210 (2 pgs).

Website Advertisement, Bed Bath & Beyond, "Spectrum™ Windsor Over The Door 6-Hook Rack", downloaded from the internet on Aug. 7, 2014 at www.bedbathandbeyond.com/store/product/spectrum-trade-windsor-over-the-door-6-hook-rack/1013150532?categoryId=12210 (2 pgs).

Website Advertisement, Bed Bath & Beyond, "6-Hook Over-The-Door Rack", downloaded from the internet on Aug. 7, 2014 at www.bedbathandbeyond.com/store/product/6-hook-over-the-door-rack/1017156772?categoryId=12210 (2 pgs).

Website Advertisement, Bed Bath & Beyond, "Spectrum™ Willow Over The Door 5-Hook Rack in Black Chrome", downloaded from the internet on Aug. 7, 2014 at www.bedbathandbeyond.com/store/product/spectrum-trade-willow-over-the-door-5-hook-rack-in-black-chrome/1041493564?categoryId=12210 (2 pgs).

Website Advertisement, Bed Bath & Beyond, "Spectrum™ Quazar Over The Door 9-Hook Rack", downloaded from the internet on Aug. 7, 2014 at www.bedbathandbeyond.com/store/product/spectrum-trade-quazar-over-the-door-9-hook-rack/1041493557?categoryId=12210 (2 pgs).

Website Advertisement, Bed Bath & Beyond, "Over The Door Hook Rack", downloaded from the internet on Aug. 7, 2014 at www.bedbathandbeyond.com/store/product/over-the-door-hook-rack/1017432230?categoryId=12210 (2 pgs).

Website Advertisement, Amazon.com, "Household Essentials Hinge It Clutterbuster 4 Bar Hanging Garment and Linen Valet, Chrome", downloaded from the internet on Sep. 4, 2015 at http://www.amazon.com/Household-Essentials-Clutterbuster-Hanging-Clothing/dp/B001AX0QD2?ie=UTF8&keywords=hanging%20closet%20bars&qid=1459884074&ref_=sr_1_17&sr=8-17 (4 pgs).

Website Advertisement, Amazon.com, "BYSKY™ Wall-Mounted Stainless Steel Bathroom Kitchen Towel Rack Holder with 2 Swivel Bars", downloaded from the internet on Sep. 4, 2015 at http://www.amazon.com/BTSKY-Wall-Mounted-Stainless-Bathroom-Kitchen/dp/B00STLYPYO/ref=sr_1_3?ie=UTF8&qid=1459884186&sr=8-3&keywords=Swivel+towel+rods (1 pg).

Website Advertisement, Amazon.com, "Decko #38190 Swing Arm Kitchen Towel Rack, Chrome", downloaded from the internet on Sep. 4, 2015 at http://www.amazon.com/Decko-38190-Swing-Kitchen-Chrome/dp/B0014XTJ2W/ref=sr_1_4?ie=UTF8&qid=1459884186&sr=8-4&keywords=Swivel+towel+rods (1 pg).

Website Advertisement, Amazon.com, "Gatco 1506 Floor Standing S Style Towel Holder, Satin Nickel", downloaded from the internet on Sep. 4, 2015 at http://www.amazon.com/Gatco-1506-Standing-Holder-Nickel/dp/B00NVXMCE/ref=sr_1_2?ie=UTF8&qid=1459884327&sr=8-2&keywords=towel+bars+floor+standing (1 pg).

Website Advertisement, Amazon.com, "Modern Heavy Duty Black Metal Floor Freestanding 6 Towel Bars Bathroom Rack/Drying Stand/Towel Valet", downloaded from the internet on Sep. 4, 2015 at http://www.amazon.com/Modern-Heavy-Freestanding-Bathroom-Drying/dp/B00SKCPLI6/ref=sr_1_9?ie=UTF8&qid=1459884327&sr=8-9&keywords=towel+bars+floor+standing (1 pg).

* cited by examiner

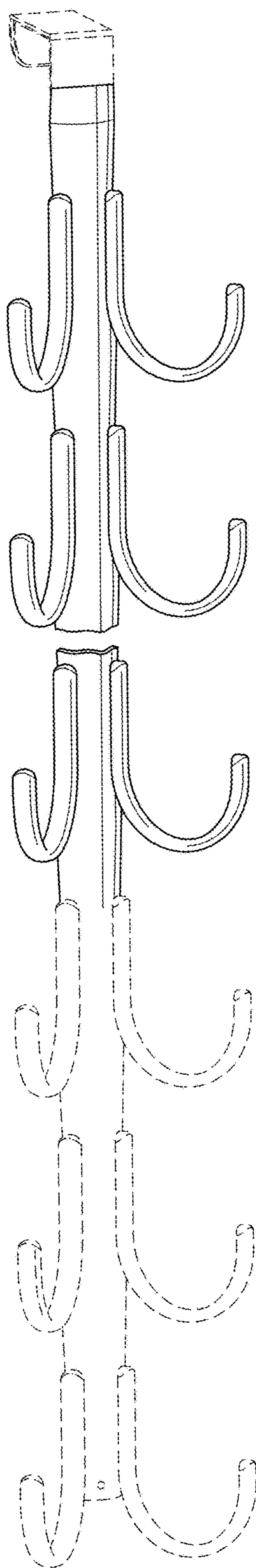


FIG. 1

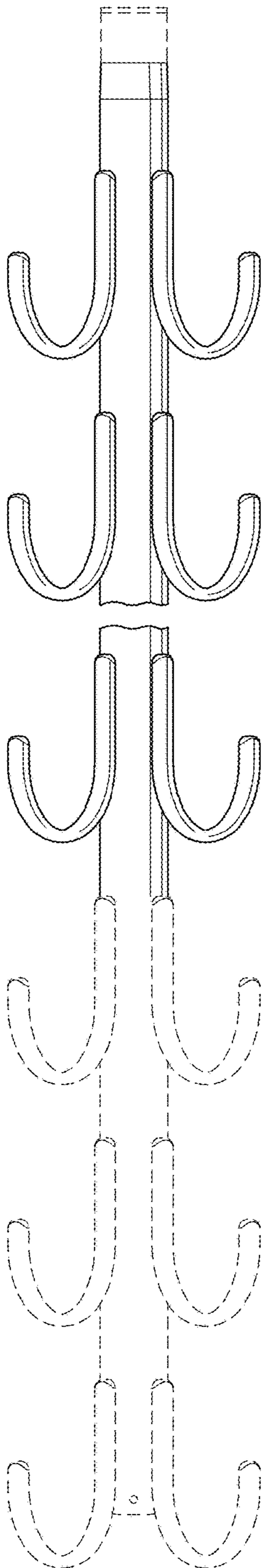


FIG. 2

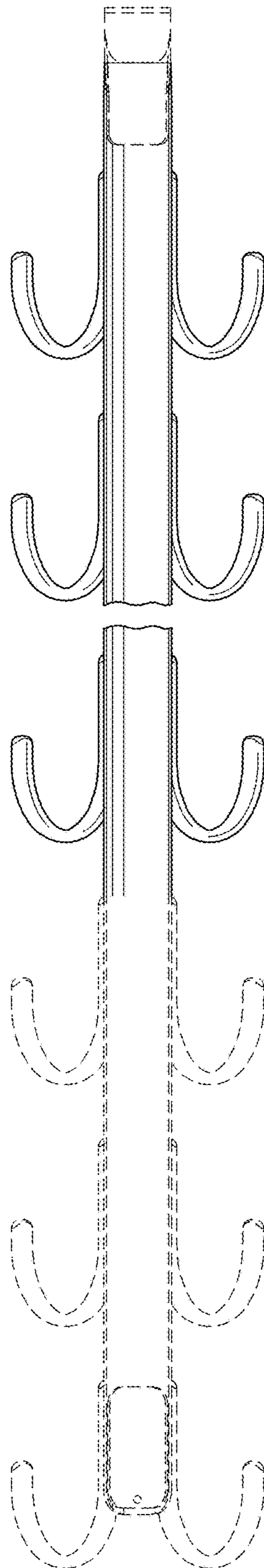


FIG. 3

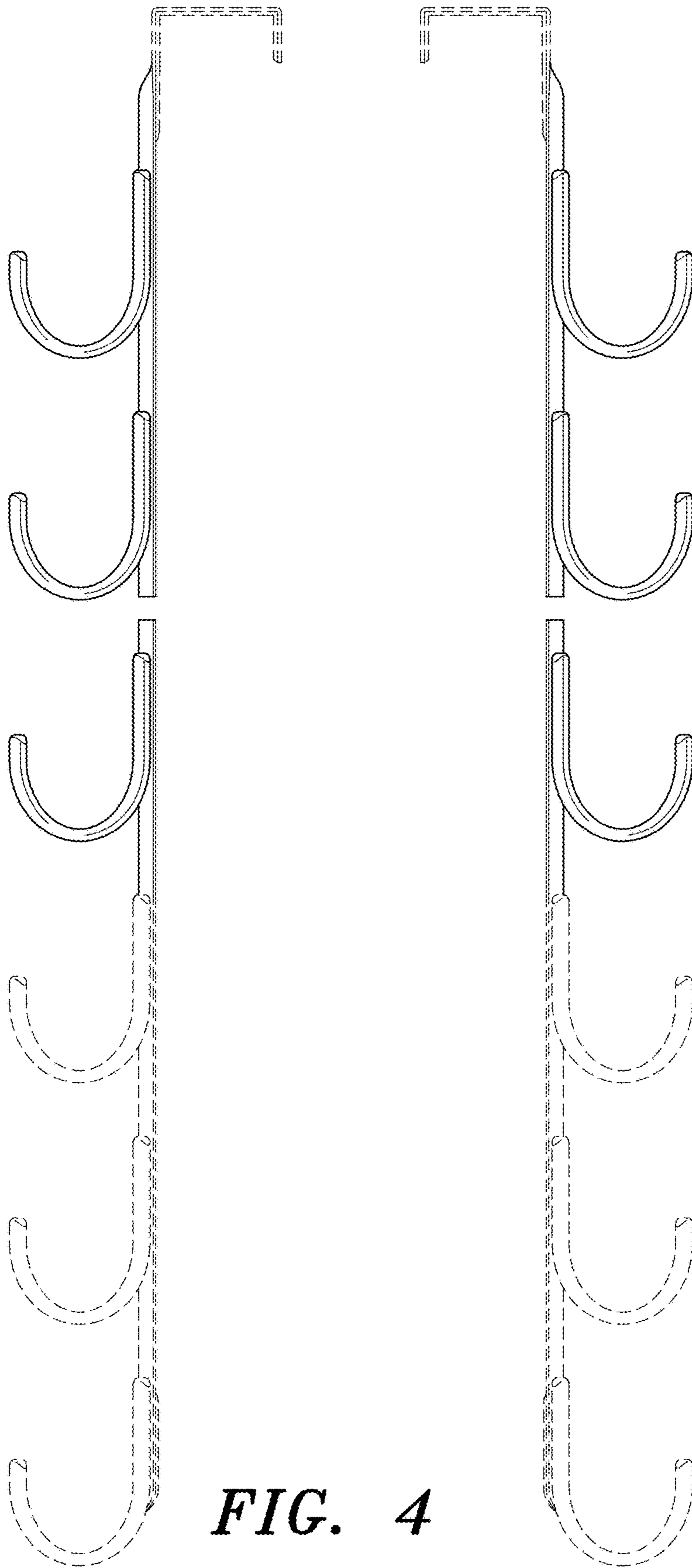


FIG. 4

FIG. 5

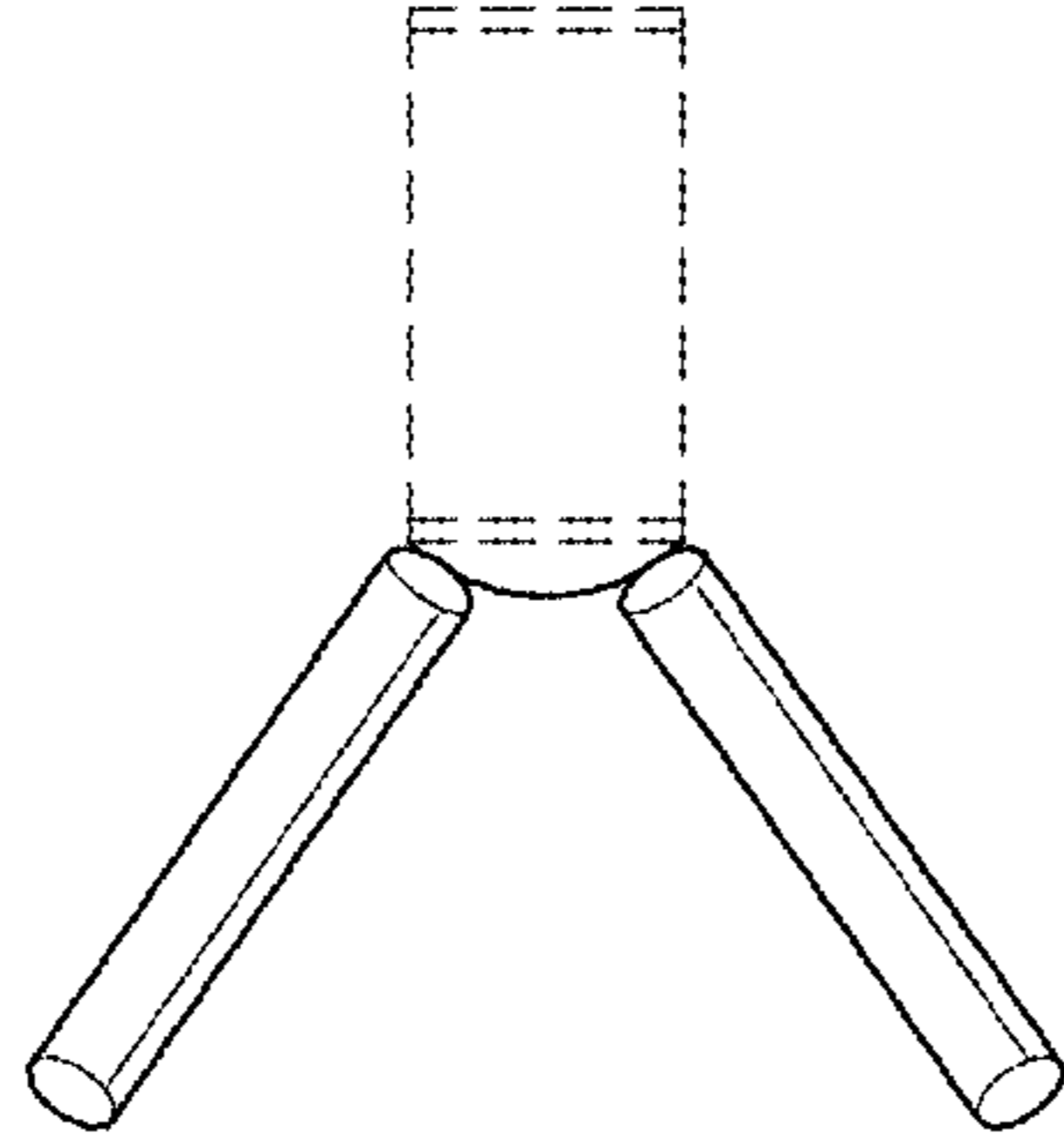


FIG. 6

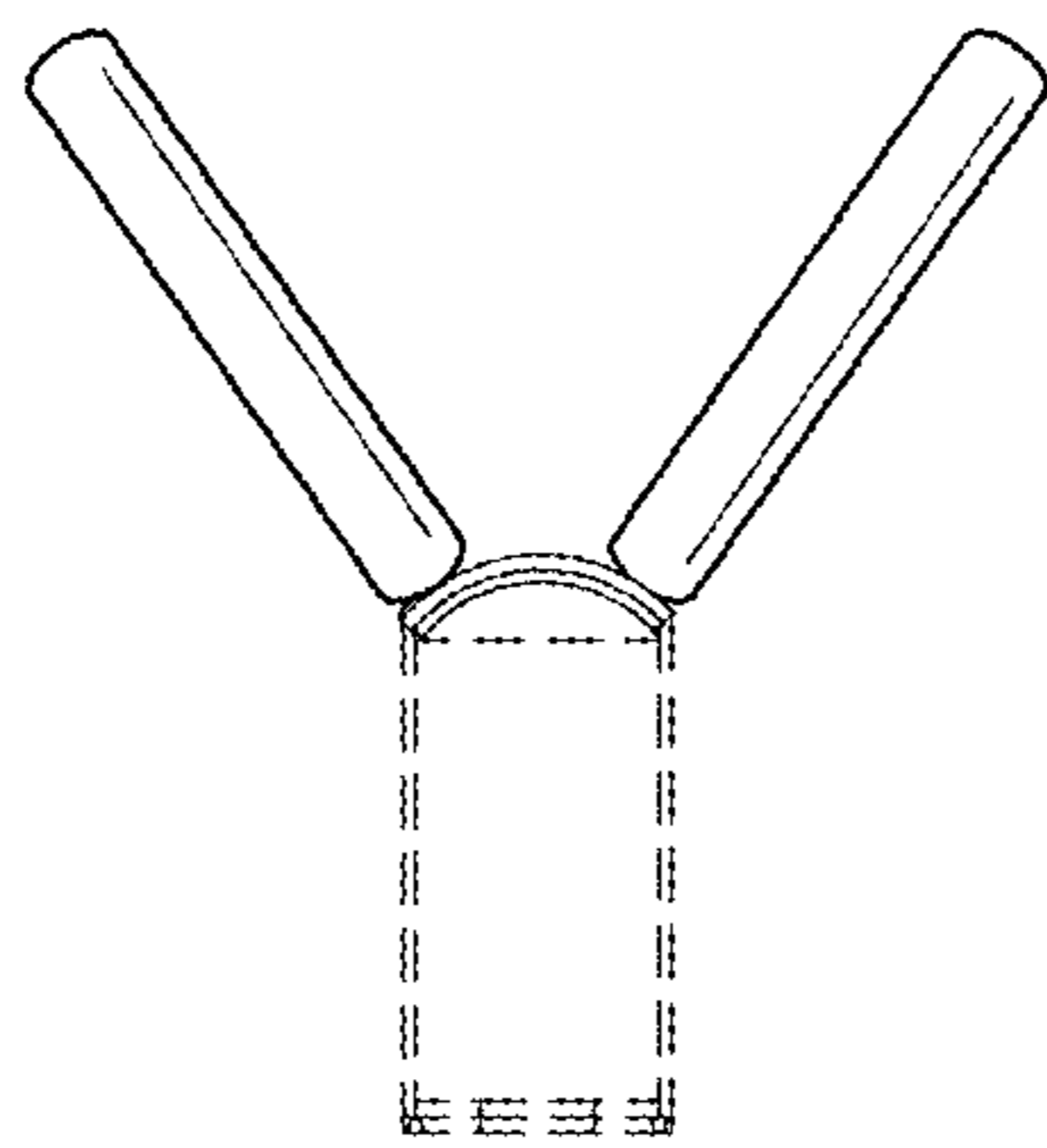


FIG. 7