



US00D810548S

(12) **United States Design Patent** (10) **Patent No.:** **US D810,548 S**
Lynn et al. (45) **Date of Patent:** **** Feb. 20, 2018**

(54) **PISTOL RACK HOOK**

(71) Applicant: **Stack-On Products Co.**, Wauconda, IL (US)

(72) Inventors: **John W. Lynn**, Libertyville, IL (US);
Richard Glogovsky, Libertyville, IL (US); **John Hetzel**, Vernon Hills, IL (US); **Ryan Lundberg**, Park Ridge, IL (US)

(73) Assignee: **STACK-ON PRODUCTS CO.**, Wauconda, IL (US)

(**) Term: **15 Years**

(21) Appl. No.: **29/591,114**

(22) Filed: **Jan. 17, 2017**

(51) **LOC (11) Cl.** **08-05**

(52) **U.S. Cl.**
USPC **D8/367**

(58) **Field of Classification Search**
USPC D8/367, 354, 349; D6/552; 211/64
CPC A47B 81/005; A47B 96/068; F16M 13/02
See application file for complete search history.

(56) **References Cited**

U.S. PATENT DOCUMENTS

- 3,488,025 A * 1/1970 Rowland A22C 15/003
248/304
- 4,646,396 A * 3/1987 Geese F16B 45/02
223/88
- D318,790 S * 8/1991 Brooks D8/370
- D343,113 S * 1/1994 Brooks D8/367
- D354,079 S * 1/1995 Shapiro D30/133

(Continued)

Primary Examiner — Cynthia Underwood

(74) *Attorney, Agent, or Firm* — Knobbe Martens Olson & Bear LLP

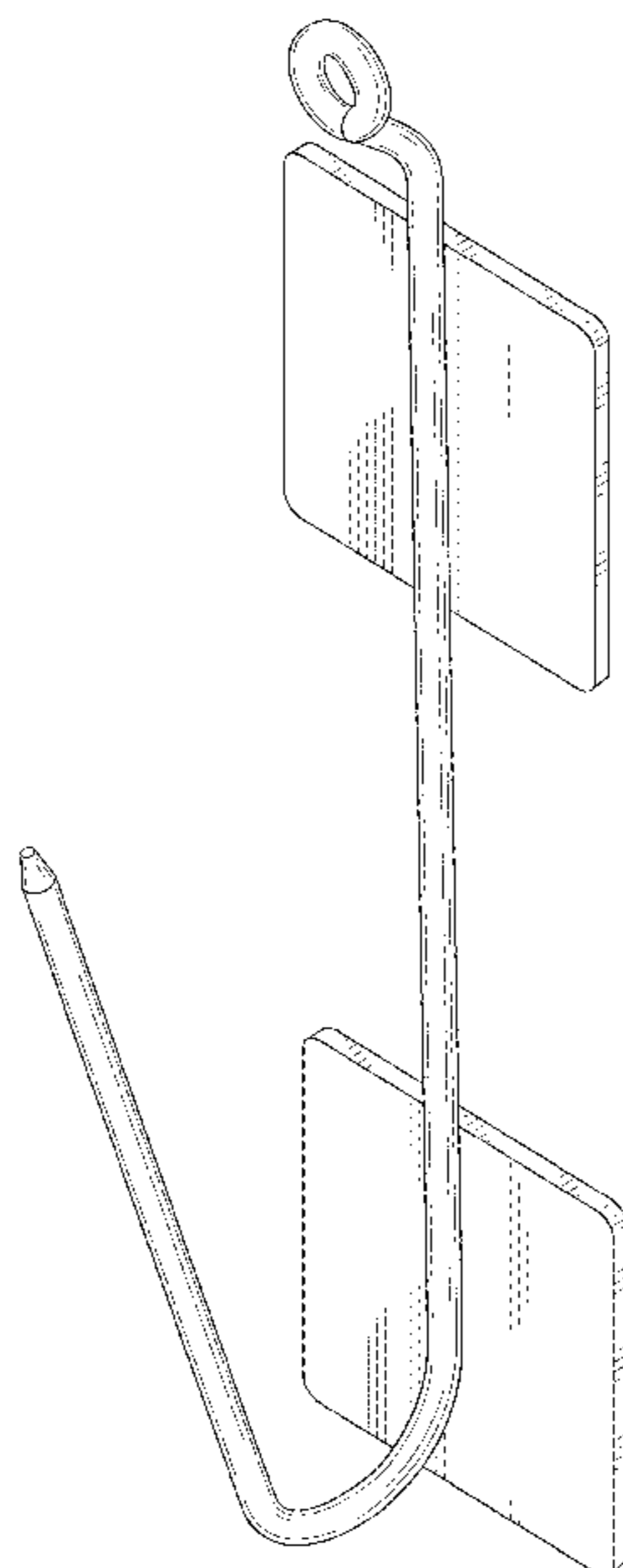
(57) **CLAIM**

The ornamental design for a pistol rack hook, as shown and described.

DESCRIPTION

FIG. 1 is a front perspective view of the pistol rack hook of the present invention;
 FIG. 2 is a right side elevation view of the pistol rack hook of the present invention;
 FIG. 3 is a left side elevation view of the pistol rack hook of the present invention;
 FIG. 4 is a front elevation plan view of the pistol rack hook of the present invention;
 FIG. 5 is a rear elevation plan view of the pistol rack hook of the present invention;
 FIG. 6 is a top plan view of the pistol rack hook of the present invention;
 FIG. 7 is a bottom plan view of the pistol rack hook of the present invention;
 FIG. 8 is a front perspective view of a second embodiment of the pistol rack hook of the present invention;
 FIG. 9 is a right side elevation view of a second embodiment of the pistol rack hook of the present invention;
 FIG. 10 is a left side elevation view of a second embodiment of the pistol rack hook of the present invention;
 FIG. 11 is a front elevation plan view of a second embodiment of the pistol rack hook of the present invention;
 FIG. 12 is a rear elevation plan view of a second embodiment of the pistol rack hook of the present invention;
 FIG. 13 is a top plan view of a second embodiment of the pistol rack hook of the present invention; and,
 FIG. 14 is a bottom plan view of a second embodiment of the pistol rack hook of the present invention.
 The portions of the pistol rack hook shown in broken lines form no part of the claimed design.

1 Claim, 12 Drawing Sheets



(56)

References Cited

U.S. PATENT DOCUMENTS

D379,920	S *	6/1997	Bozzo	D8/368
D404,127	S *	1/1999	Lammers	248/303
D422,888	S *	4/2000	Outten	D8/367
D474,105	S *	5/2003	Lee	D8/367
D527,300	S *	8/2006	Ppngonis	D11/86
D528,938	S *	9/2006	Pongonis	D11/86
D531,928	S *	11/2006	Pongonis	D11/86
D546,147	S *	7/2007	Cullen	D8/16
D632,952	S *	2/2011	Dablemont	D8/367
D668,938	S *	10/2012	Morales	D8/367
D686,908	S *	7/2013	Kyle	D8/367
D702,540	S *	4/2014	Kacines	D8/367
D708,446	S *	7/2014	Goodman	D6/323
D734,134	S *	7/2015	Bauerle	D8/372
D746,127	S *	12/2015	Cohen	D8/367
D756,756	S *	5/2016	Kuehn	D8/367
9,377,264	B2 *	6/2016	Ely	F41A 23/18
D769,147	S *	10/2016	Diamante	D11/87
D787,303	S *	5/2017	Garvin	D8/367
2004/0178240	A1 *	9/2004	Bauer	A45F 5/02 224/268
2006/0016943	A1 *	1/2006	Thompson	A47J 33/00 248/175
2008/0272269	A1 *	11/2008	Moraysky	A45F 5/02 248/692
2010/0084530	A1 *	4/2010	Lai	A47B 96/067 248/304

* cited by examiner

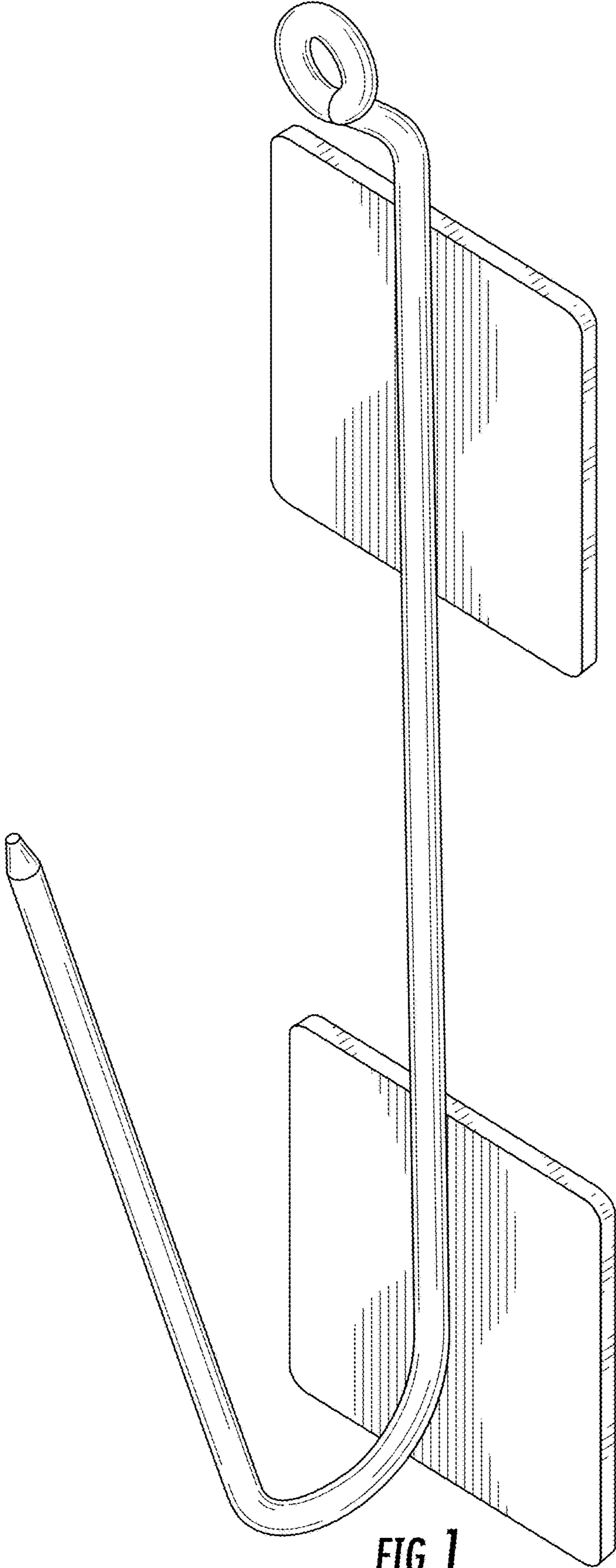


FIG. 1

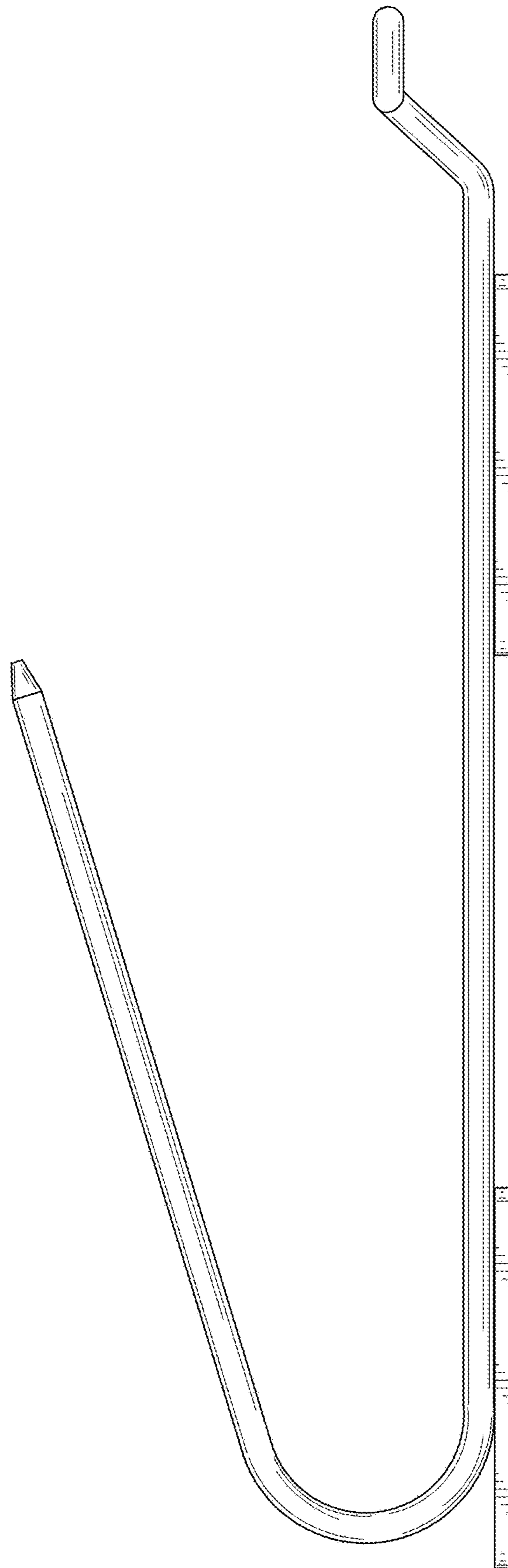


FIG. 2

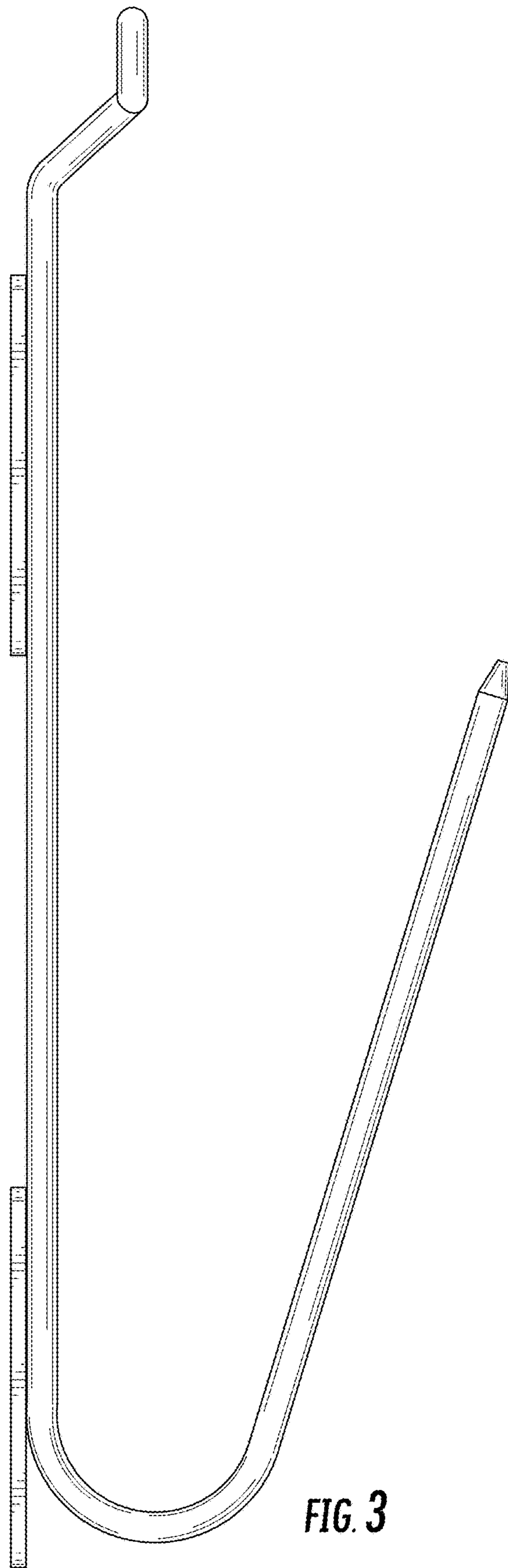


FIG. 3

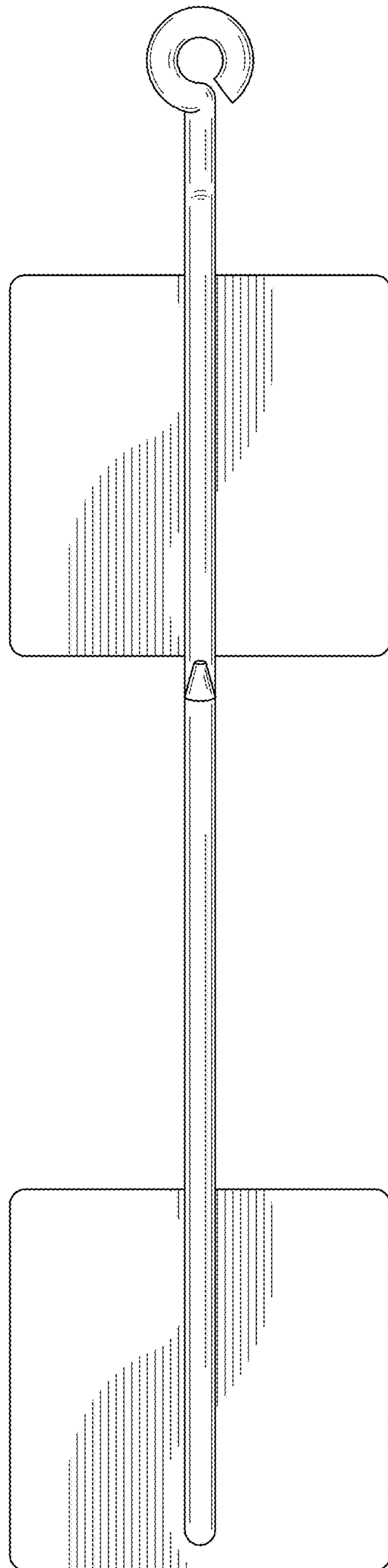


FIG. 4

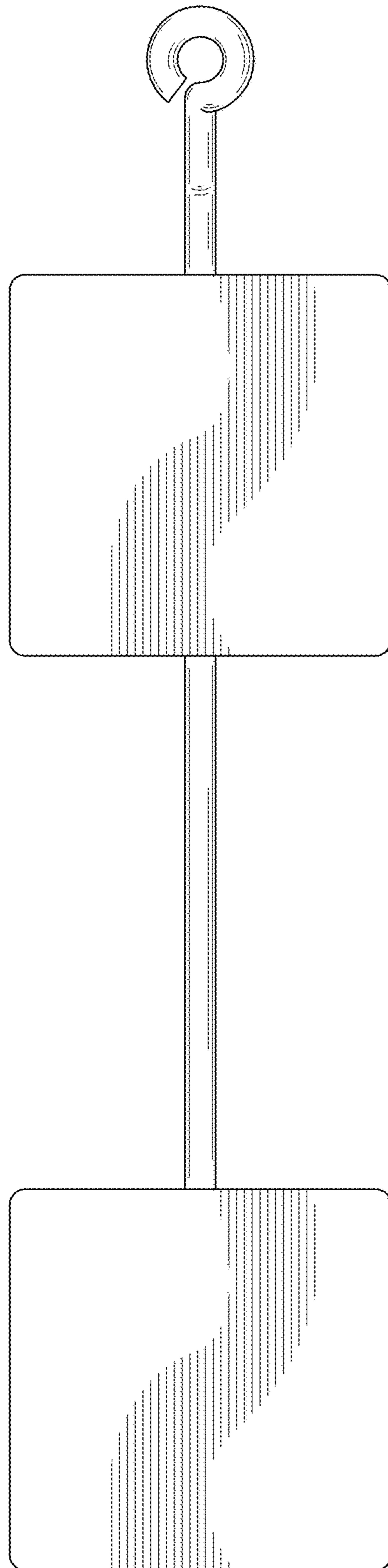


FIG. 5

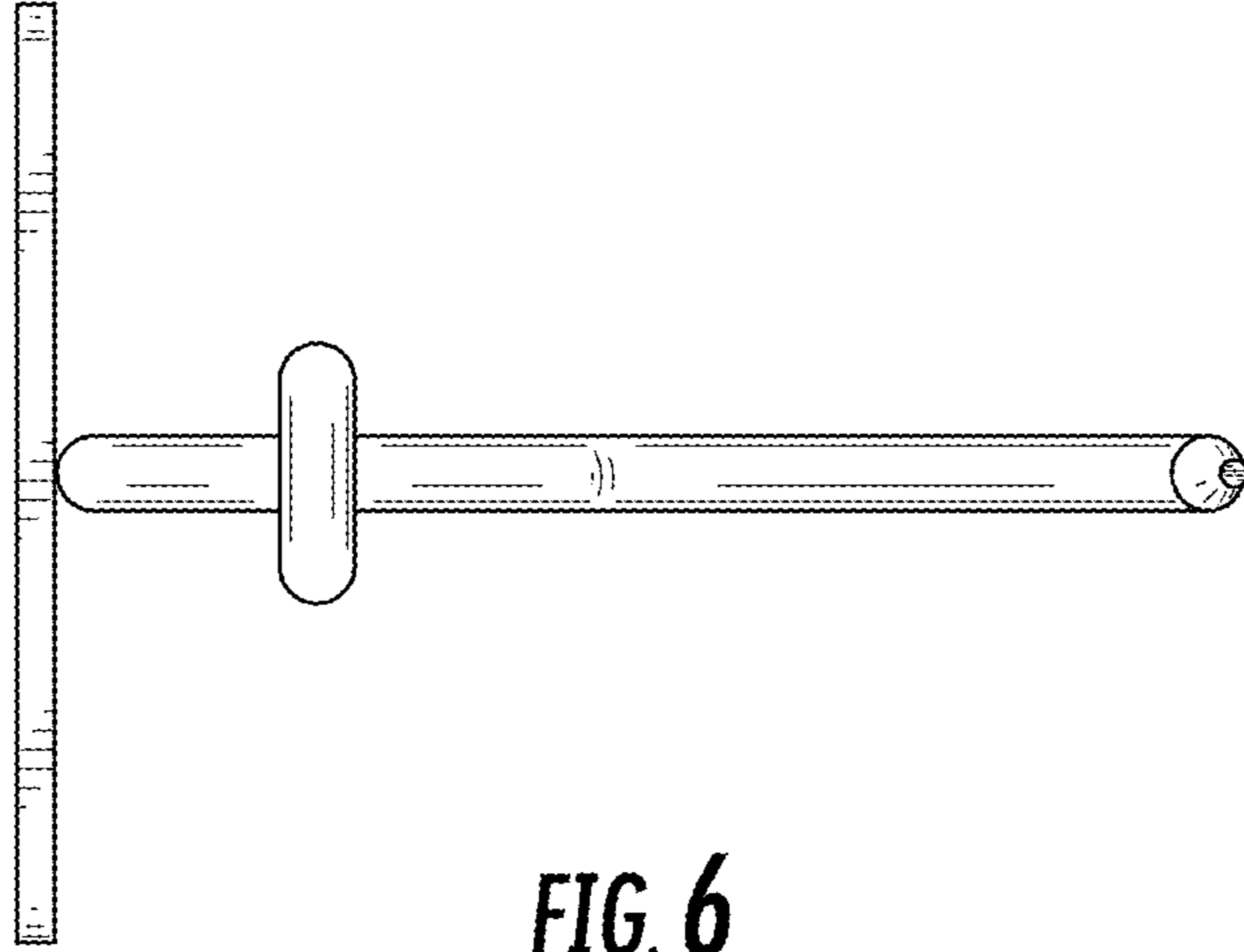


FIG. 6

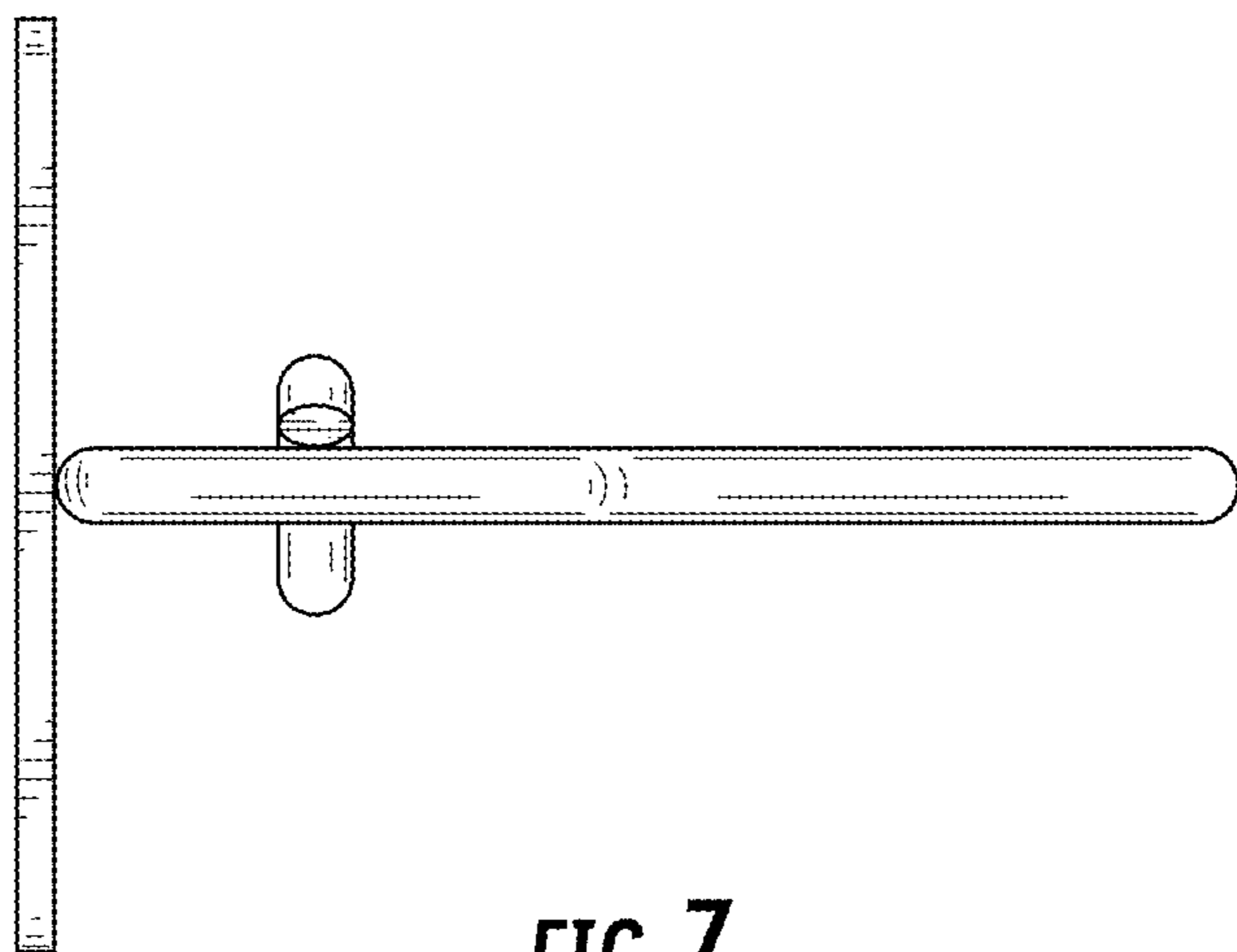


FIG. 7

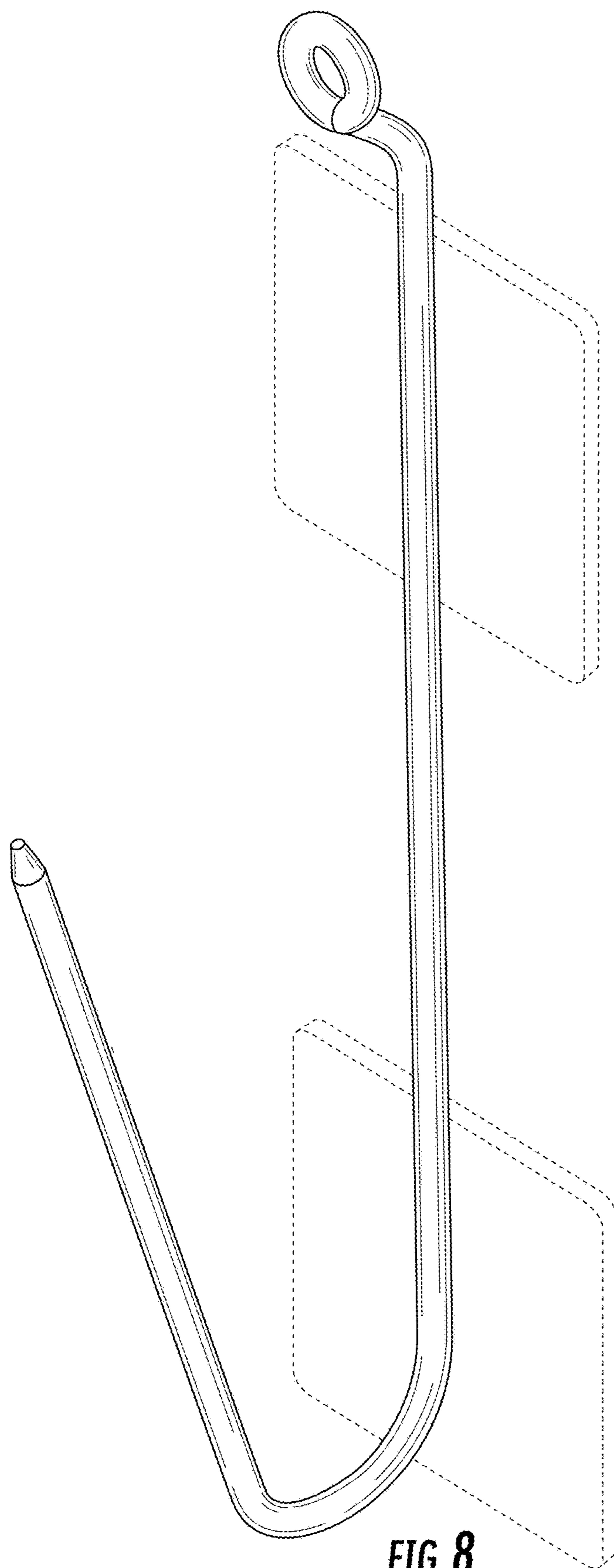


FIG. 8

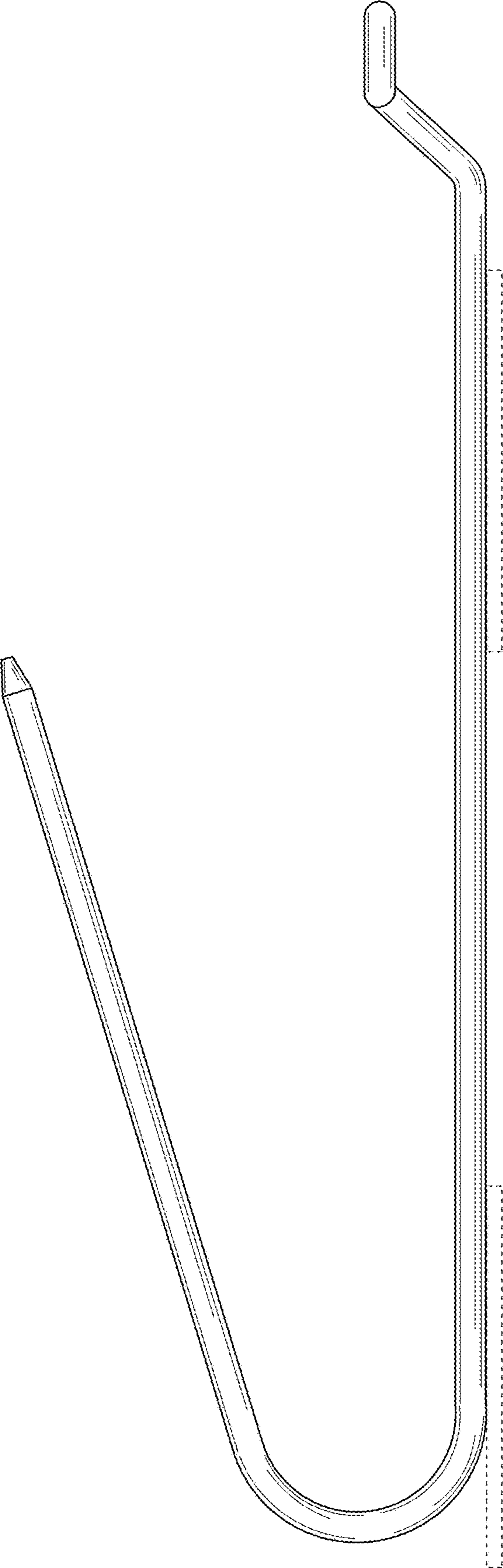
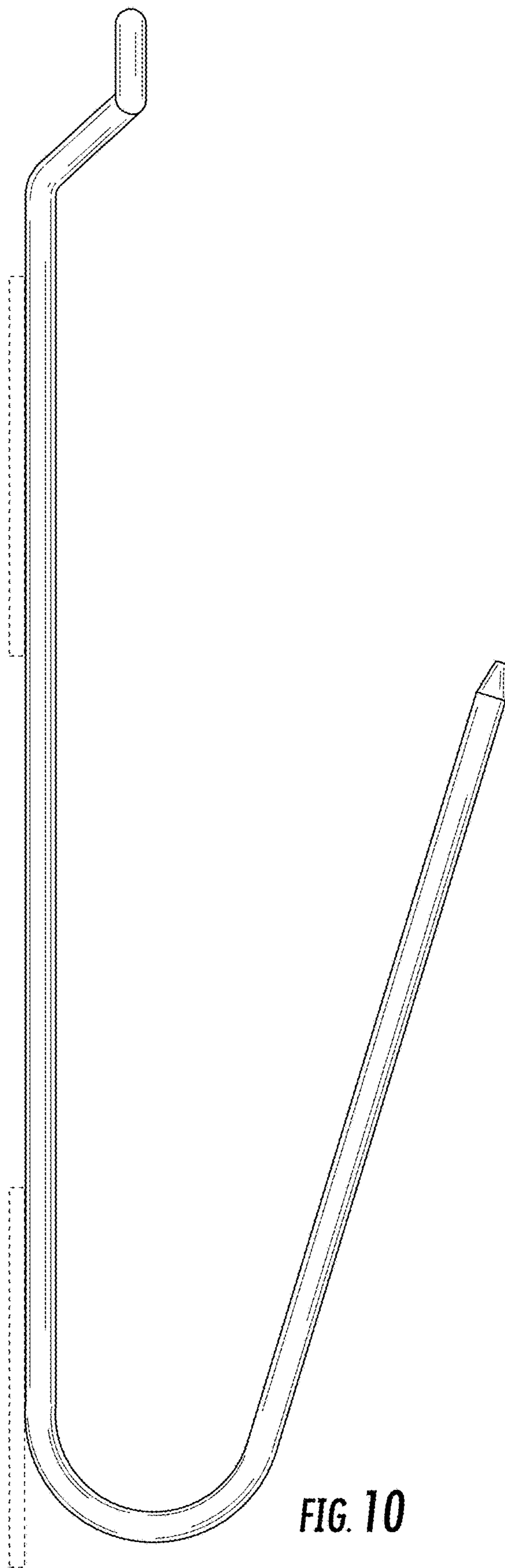


FIG. 9



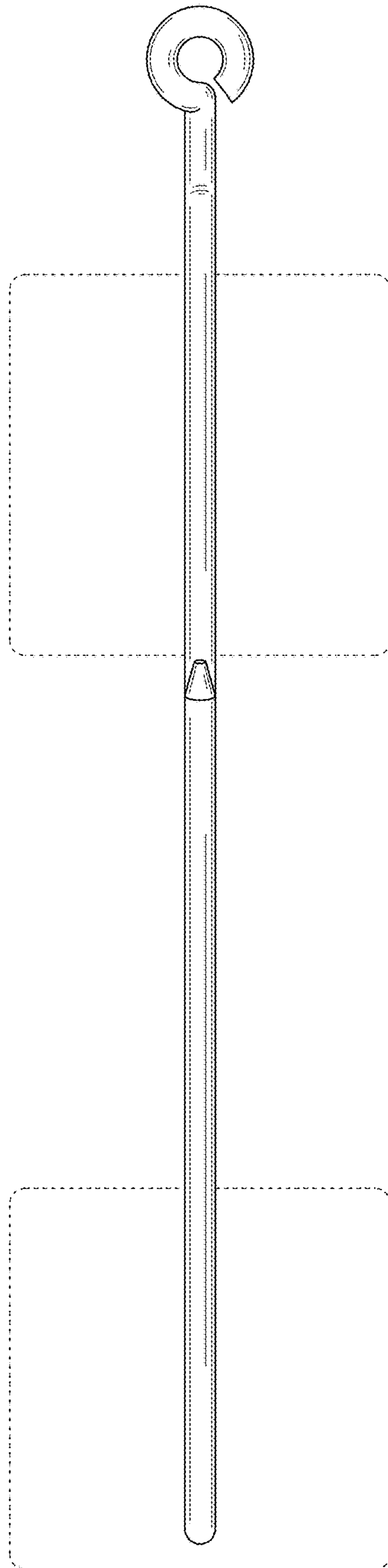


FIG. 11

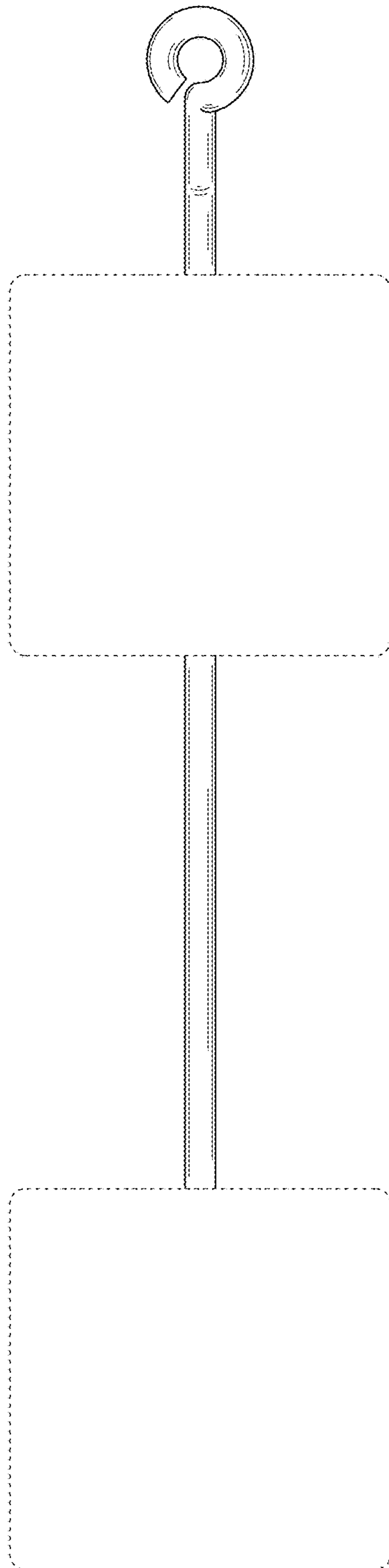


FIG. 12

