



US00D810545S

(12) **United States Design Patent**
Stevens et al.

(10) **Patent No.:** **US D810,545 S**
(45) **Date of Patent:** **** Feb. 20, 2018**

(54) **SUPPORT MEMBER FOR VIBRATION
DAMPENING MEMBER OF AN ACOUSTIC
MOUNT**

(71) Applicants: **Benjamin Gordon Stevens**, Victoria
(AU); **Kurt Schnepf**, Victoria (AU)

(72) Inventors: **Benjamin Gordon Stevens**, Victoria
(AU); **Kurt Schnepf**, Victoria (AU)

(73) Assignee: **STUDCO BUILDING SYSTEMS
PTY LTD.**, Lilydale, Victoria (AU)

(**) Term: **14 Years**

(21) Appl. No.: **29/522,707**

(22) Filed: **Apr. 1, 2015**

Related U.S. Application Data

(60) Division of application No. 12/825,100, filed on Jun.
28, 2010, now abandoned, which is a continuation of
application No. 11/872,574, filed on Oct. 15, 2007,
now abandoned.

(51) **LOC (11) Cl.** **08-08**

(52) **U.S. Cl.**
USPC **D8/349**

(58) **Field of Classification Search**
USPC D8/349, 354, 366, 373; 52/347; 248/638
CPC .. F16F 1/3732; F16F 1/376; F16F 1/36; F16F
1/373; F16F 1/377; F16F 1/387; E04B
2001/8263; E04B 2009/186; E04B 1/84;
Y10T 29/49826

See application file for complete search history.

(56) **References Cited**

U.S. PATENT DOCUMENTS

4,971,496 A * 11/1990 Scholz B64C 1/066
411/105
5,295,671 A * 3/1994 Nakagaki F16F 13/10
248/638

5,335,893 A * 8/1994 Opp B64C 1/066
248/632
5,788,206 A * 8/1998 Bunker B60K 17/00
248/634
6,267,347 B1 * 7/2001 Ryan F16F 1/3732
248/562
6,435,489 B1 * 8/2002 Rice F16F 1/3732
248/635
D472,793 S * 4/2003 Callahan D8/349
D477,210 S * 7/2003 Callahan D8/349
7,895,803 B2 * 3/2011 Downey E04B 1/82
248/610
9,045,898 B2 * 6/2015 Ravnaas E04B 1/82
9,121,469 B2 * 9/2015 Downey E04B 1/82
2002/0038928 A1 * 4/2002 Rice F16F 1/3732
267/153
2005/0201571 A1 * 9/2005 Saint-Vincent H04R 1/02
381/87
2008/0017780 A1 * 1/2008 Downey E04B 1/82
248/610

(Continued)

Primary Examiner — Mark Goodwin

(74) *Attorney, Agent, or Firm* — Henry I. Schanzer

(57)

CLAIM

We claim the ornamental design for a support member for
vibration dampening member of an acoustic mount, as
shown and described.

DESCRIPTION

FIG. 1 is a perspective view of a support member for
vibration dampening member of an acoustic mount showing
our new design;

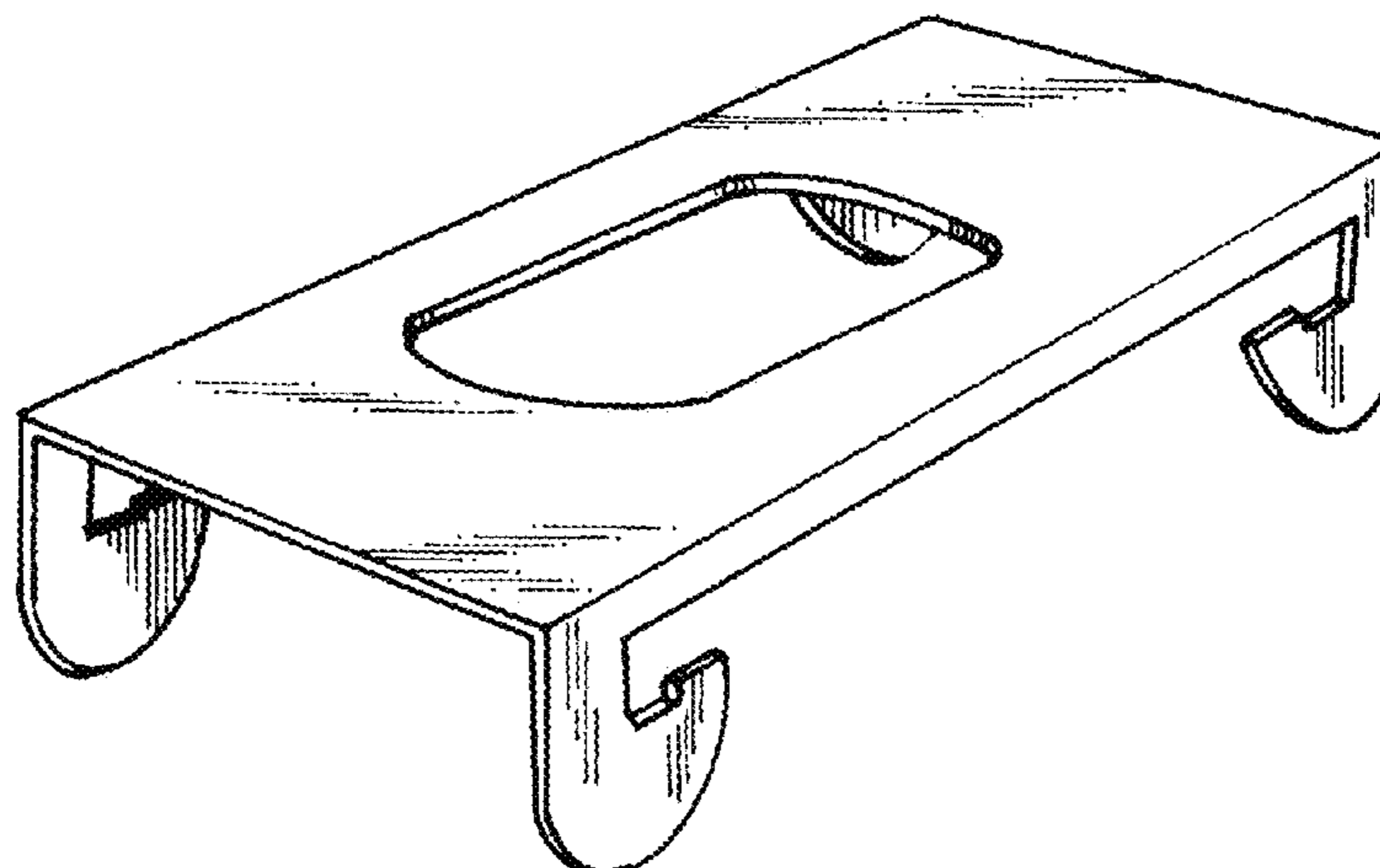
FIG. 2 is a top view thereof;

FIG. 3 is a front end view thereof, the rear end view being
a mirror image thereof;

FIG. 4 is a right side view thereof, the left side view being
a mirror image thereof; and,

FIG. 5 is a bottom view thereof.

1 Claim, 2 Drawing Sheets



(56)

References Cited

U.S. PATENT DOCUMENTS

2008/0086966	A1 *	4/2008	Stevens	E04B 1/84 52/347
2008/0202846	A1 *	8/2008	Gernhart	F16F 15/04 181/208
2010/0263321	A1 *	10/2010	Stevens	E04B 1/84 52/741.1
2011/0140325	A1 *	6/2011	Downey	E04B 1/82 267/141.1
2015/0369323	A1 *	12/2015	Downey	E04B 1/82 248/634

* cited by examiner

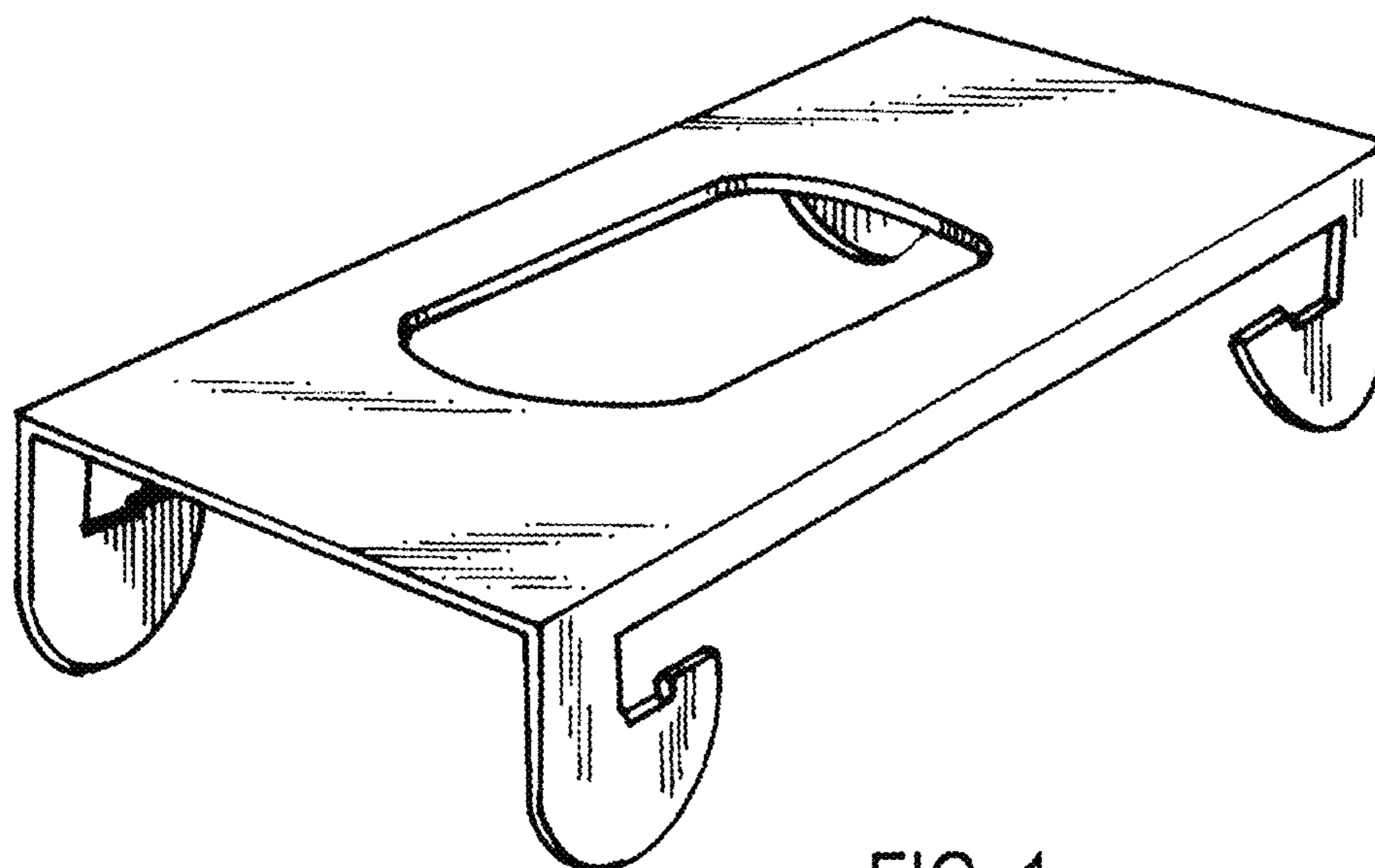


FIG. 1

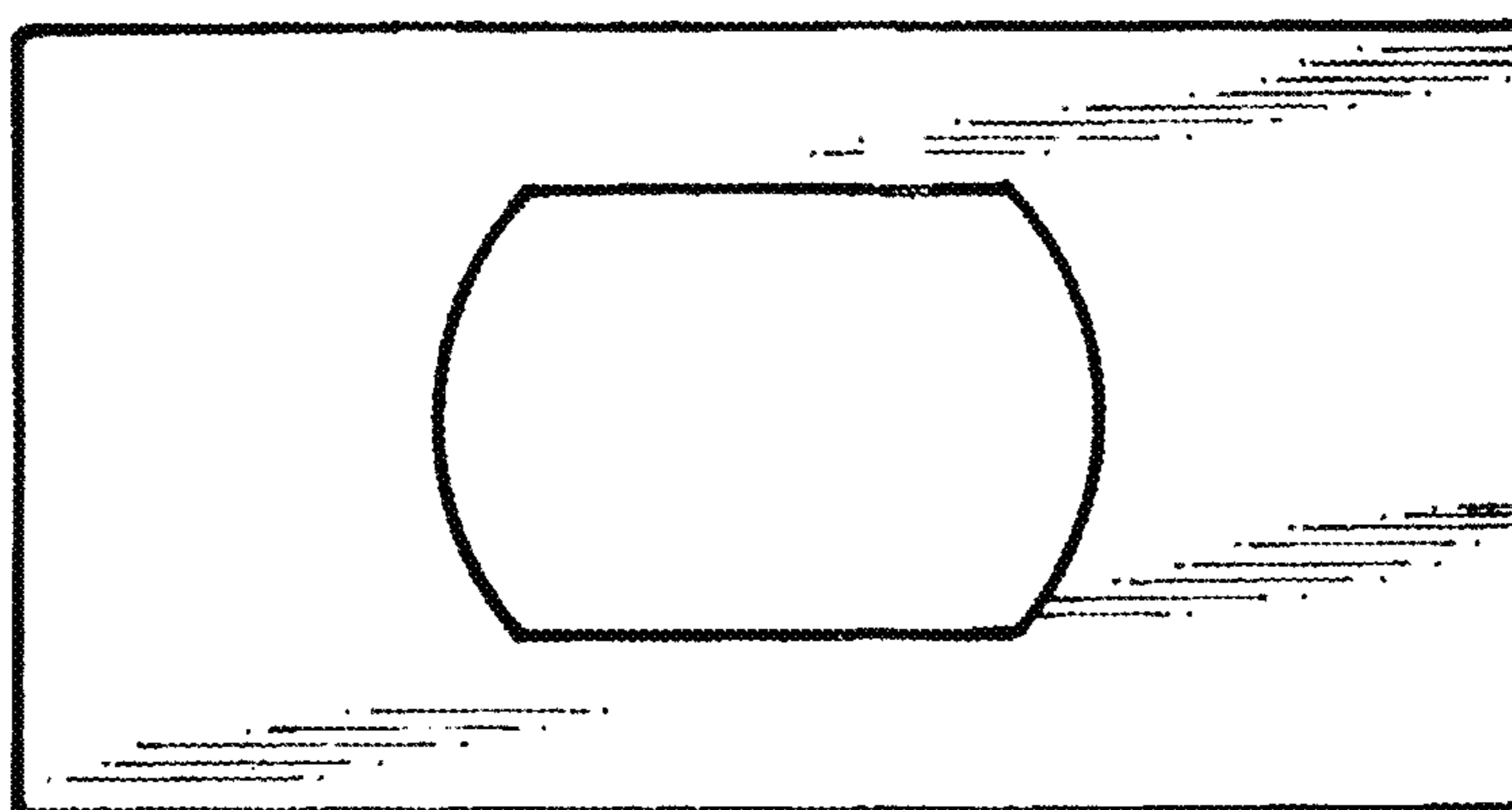


FIG. 2

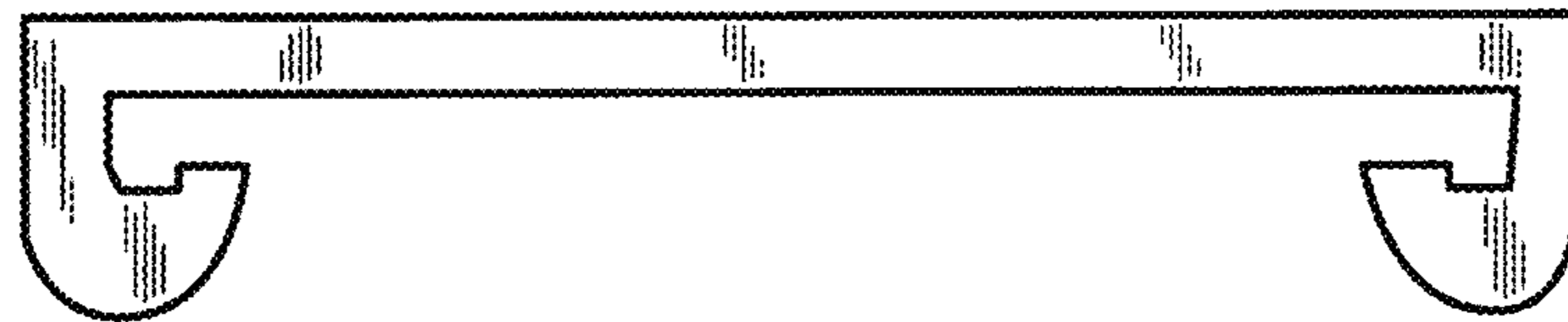


FIG. 3

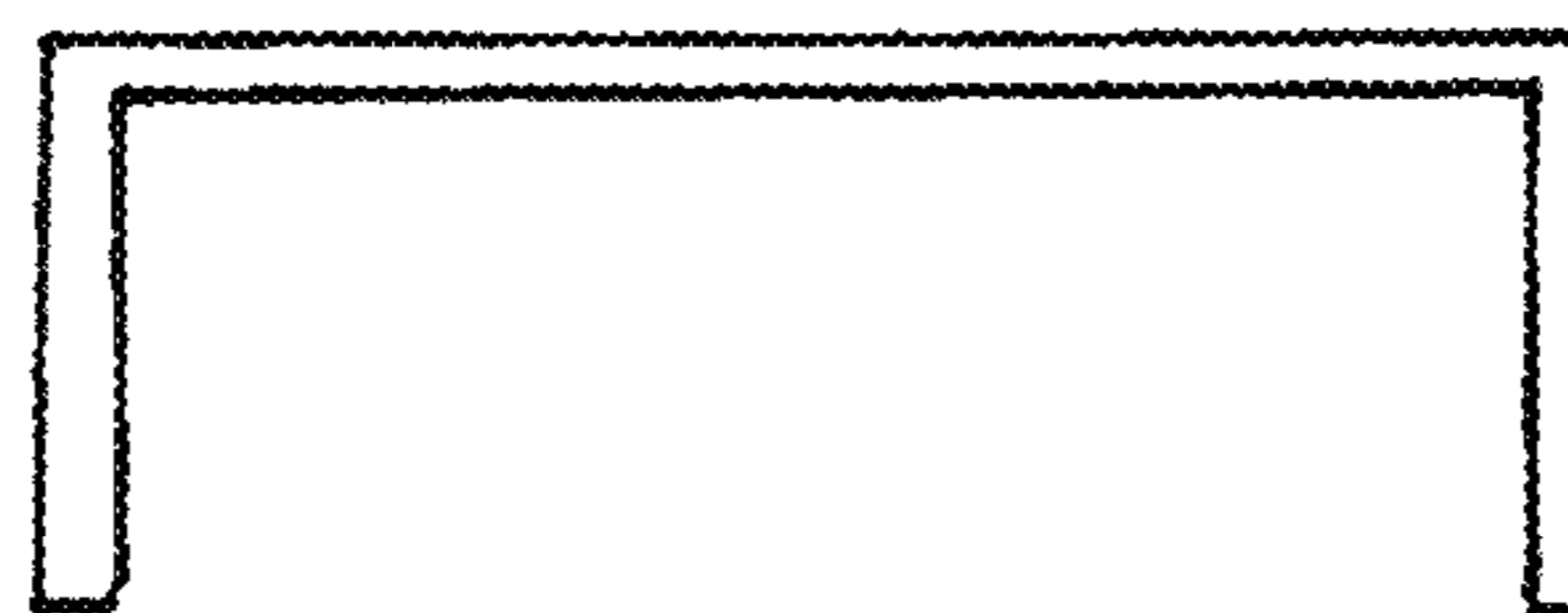


FIG. 4

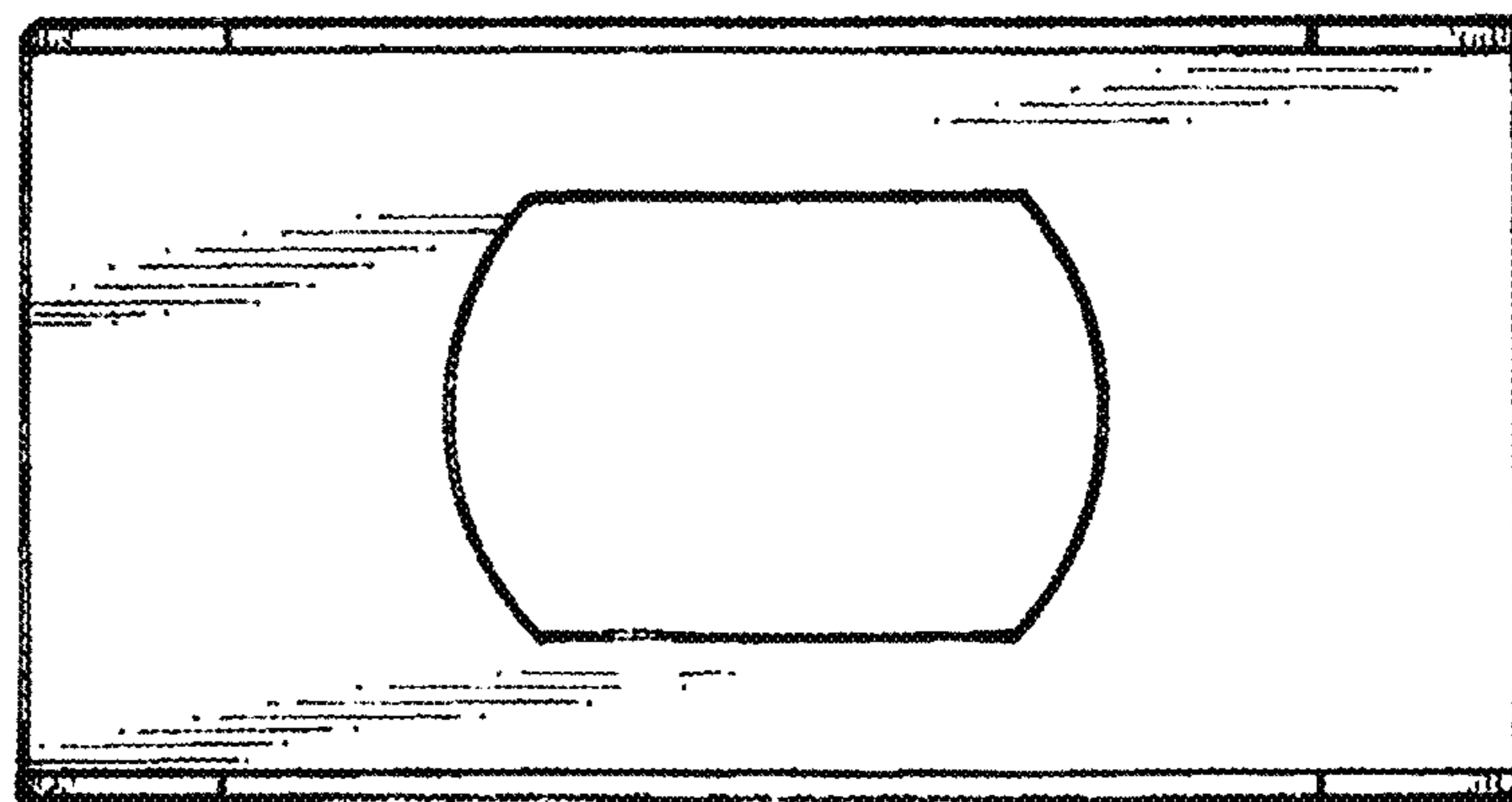


FIG. 5