



US00D810544S

(12) **United States Design Patent**
Milton

(10) **Patent No.:** **US D810,544 S**

(45) **Date of Patent:** **** Feb. 20, 2018**

(54) **HANDLE**

(71) Applicant: **Alexa Milton**, Issaquah, WA (US)

(72) Inventor: **Alexa Milton**, Issaquah, WA (US)

(**) Term: **14 Years**

(21) Appl. No.: **29/493,156**

(22) Filed: **Jun. 5, 2014**

(51) **LOC (11) Cl.** **08-06**

(52) **U.S. Cl.**
USPC **D8/315**

(58) **Field of Classification Search**

USPC D8/300, 301, 302, 313, 315, 316, 318,
D8/319, 320; D6/546, 549; D7/393,
D7/394; 16/110.1, 412, 413, 415, 419,
16/422, 424, 425, 430, 436, 438, DIG. 19;
D15/89

CPC Y10T 16/469; Y10T 16/44; Y10T 16/498;
Y10T 16/459; Y10T 74/20732; Y10T
16/462; Y10T 29/49826; Y10T 16/4559;
Y10T 74/20864; Y10T 16/4628; Y10T
407/1825; Y10T 408/96; Y10T 74/20612;
Y10T 137/6024; B25G 1/10; B25G 1/00;
B25G 3/00

See application file for complete search history.

(56) **References Cited**

U.S. PATENT DOCUMENTS

293,311 A * 2/1884 Clark B25G 1/10
16/436
D80,927 S * 4/1930 Weber D6/549

D150,343 S * 7/1948 Felver D8/319
D205,349 S * 7/1966 Clayton D8/316
D478,759 S * 8/2003 Hoernig D6/549
D597,396 S * 8/2009 Menzies D8/315
D606,839 S * 12/2009 Urquiola D8/316
D679,983 S * 4/2013 Ramsland D8/316
D704,030 S * 5/2014 Jou B25G 1/04
D8/315
D730,148 S * 5/2015 Magnusson D8/313
D763,655 S * 8/2016 Zimmer D8/316
2003/0056334 A1 * 3/2003 Finkelstein F24C 15/024
16/436
2010/0148395 A1 * 6/2010 Gifford, III A47B 95/02
264/250

* cited by examiner

Primary Examiner — Lauren R Calve

(74) *Attorney, Agent, or Firm* — Seattle Patent Group
LLC; James Haugen

(57) **CLAIM**

I claim the ornamental design for a handle, as shown and described.

DESCRIPTION

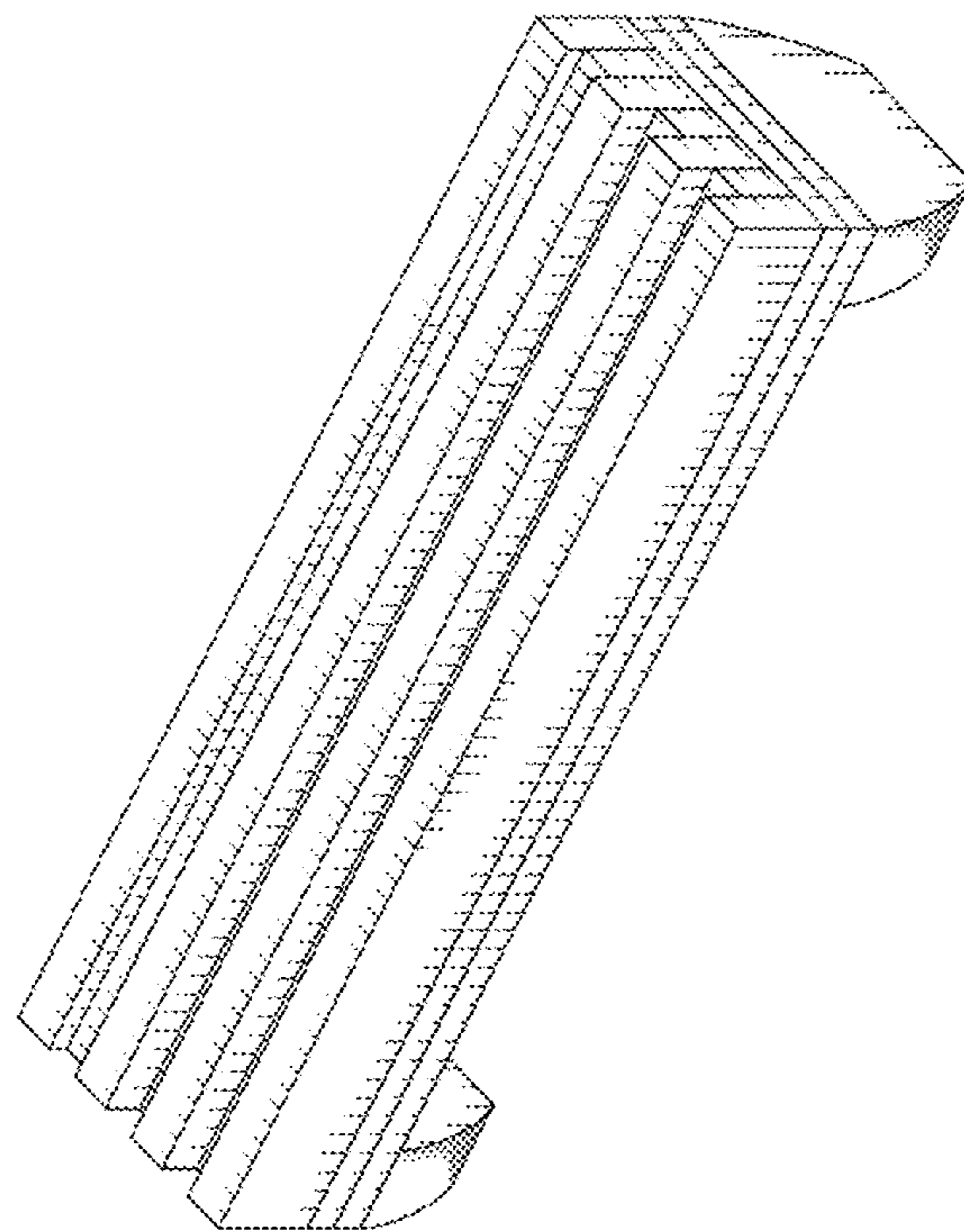
FIG. 1 is an end view of a handle according to the present design.

FIG. 2 is a top plan view thereof.

FIG. 3 is a side view thereof; and,

FIG. 4 is a perspective view thereof.

1 Claim, 4 Drawing Sheets



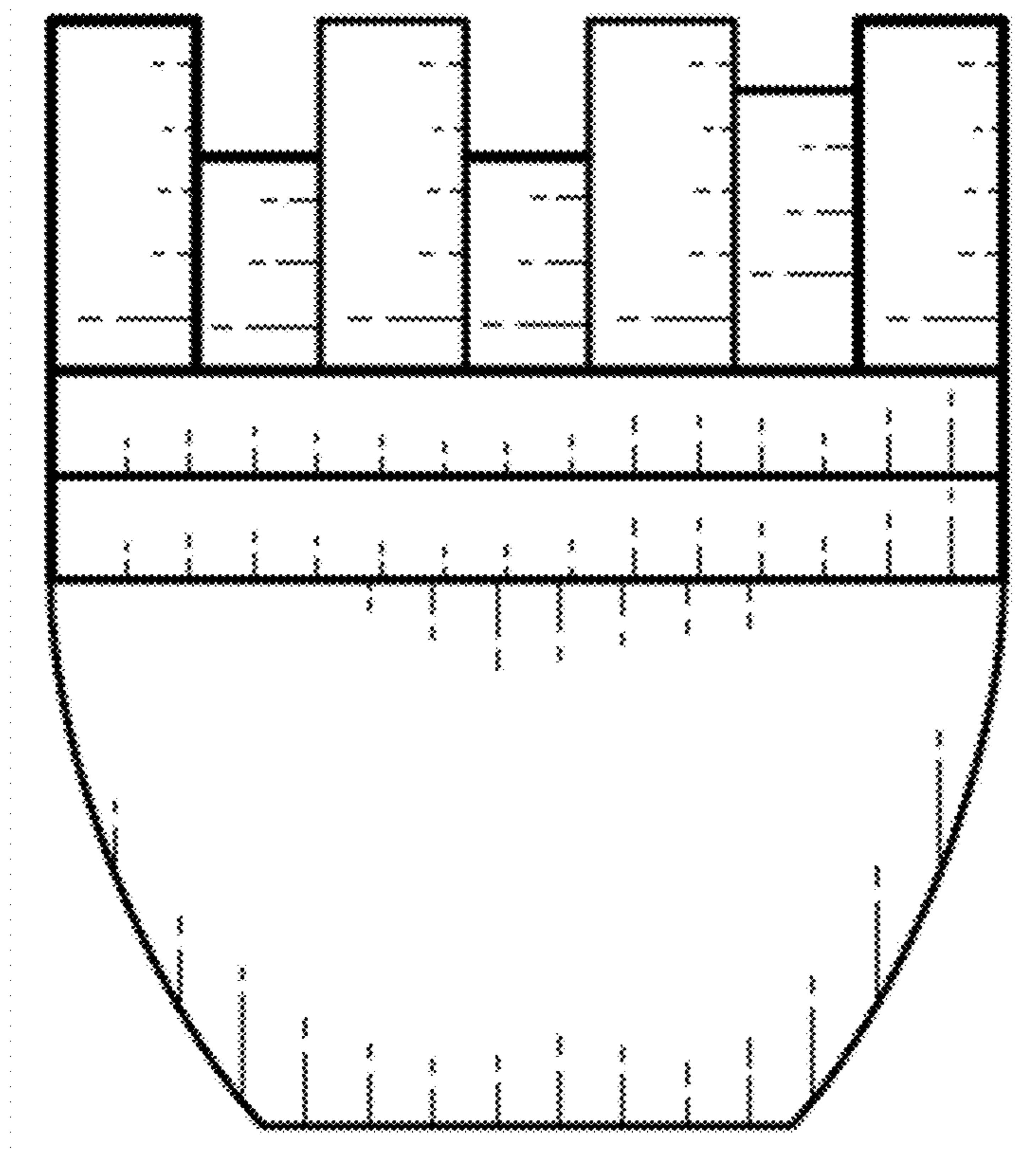


Figure 1

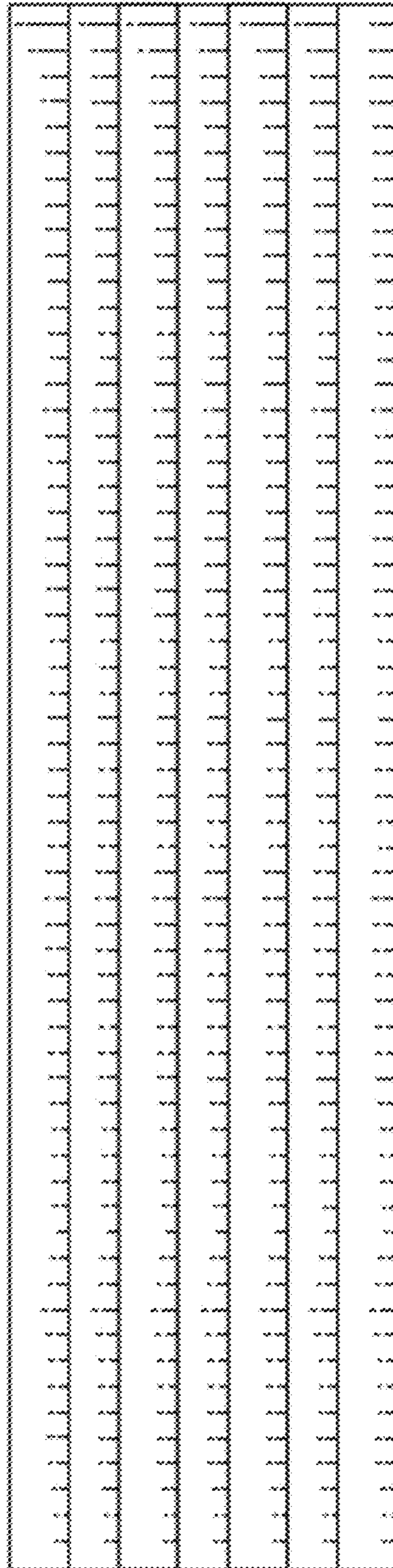


Figure 2

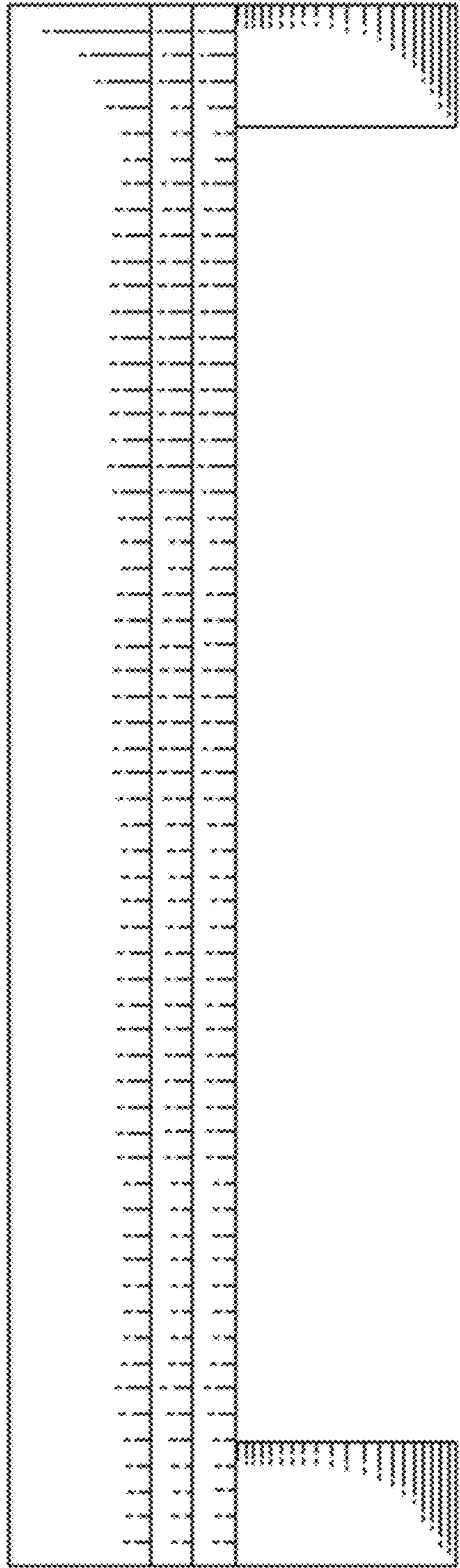


Figure 3

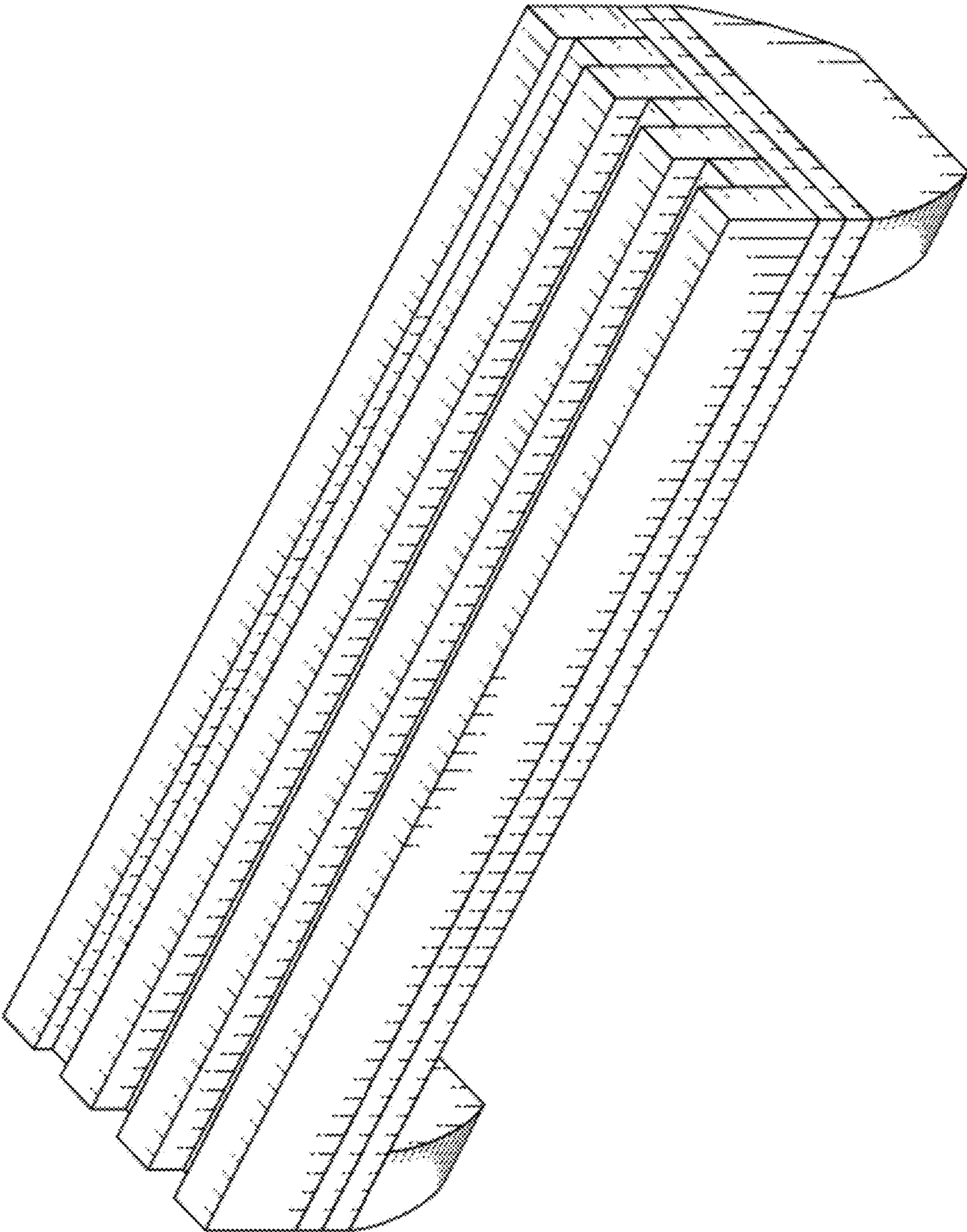


Figure 4