



US00D810543S

(12) **United States Design Patent**
Astradsson et al.

(10) **Patent No.:** **US D810,543 S**
(45) **Date of Patent:** **** Feb. 20, 2018**

(54) **KNIFE BLADE**

(71) Applicant: **Morakniv AB**, Mora (SE)

(72) Inventors: **Petter Astradsson**, Vaxholm (SE);
Roger Wikström, Älvdalen (SE);
Markus Leijon, Mora (SE)

(73) Assignee: **Morakniv AB**, Mora (SE)

(**) Term: **15 Years**

(21) Appl. No.: **29/587,360**

(22) Filed: **Dec. 13, 2016**

Related U.S. Application Data

(63) Continuation of application No. 29/556,242, filed on Feb. 29, 2016, now Pat. No. Des. 800,530.

(30) **Foreign Application Priority Data**

Dec. 14, 2015 (EM) 002908947

(51) **LOC (11) Cl.** **08-06**

(52) **U.S. Cl.**
USPC **D8/307**

(58) **Field of Classification Search**
USPC D8/300, 302, 305, 307, 311, 75, 77, 315,
D8/397, 353, 394, 107, 80, 83, 94, 97,
D8/14, 98, 99, 303; D23/250; D7/401.2,
D7/649; 30/340; D22/118
CPC E05B 1/0015; E05B 1/00; A47B 95/02
See application file for complete search history.

(56) **References Cited**

U.S. PATENT DOCUMENTS

D236,579 S * 9/1975 Morhack D7/649
D399,722 S * 10/1998 Eidsmoe D8/107
D420,887 S * 2/2000 Chen D7/395
D517,896 S * 3/2006 Hsu D8/107
D532,278 S * 11/2006 Shih D8/107
D542,619 S * 5/2007 Hung D8/107

D562,103 S * 2/2008 Lin D8/107
D610,433 S * 2/2010 Garcia D8/107
D610,895 S * 3/2010 Garcia D8/107
D633,357 S * 3/2011 Garcia D8/83
D651,056 S * 12/2011 Robinson D8/25
D714,112 S * 9/2014 Robinson D8/22

(Continued)

OTHER PUBLICATIONS

Morakniv Mora of Sweden: Announced Feb. 11, 2016 [online], site visited Feb. 27, 2017. Available from Internet URL: <https://morakniv.se/en/product/eldris-neck-knife-kit/>.*

Primary Examiner — John Windmuller
Assistant Examiner — Melvin L Davis
(74) *Attorney, Agent, or Firm* — Dilworth & Barrese, LLP

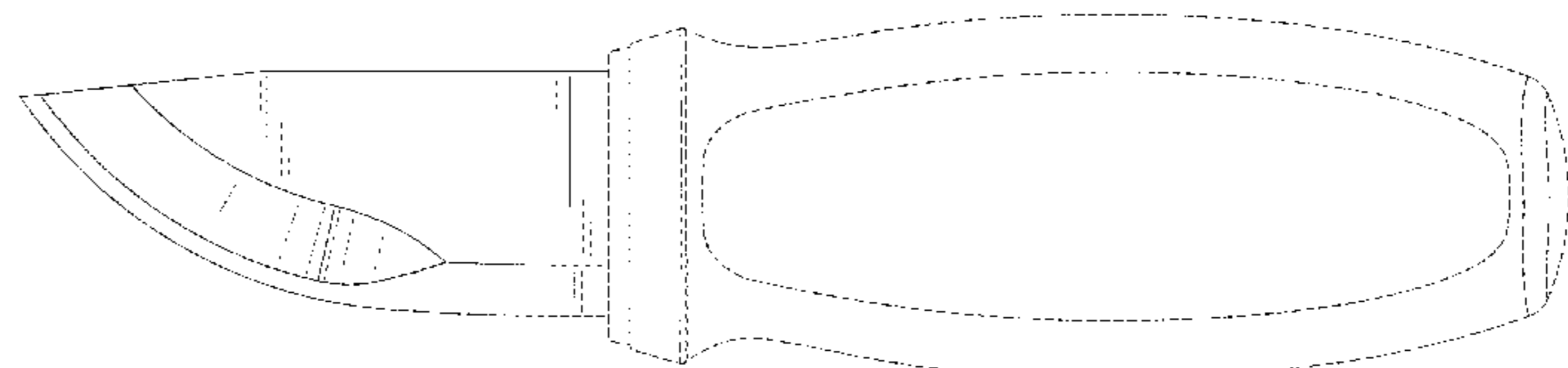
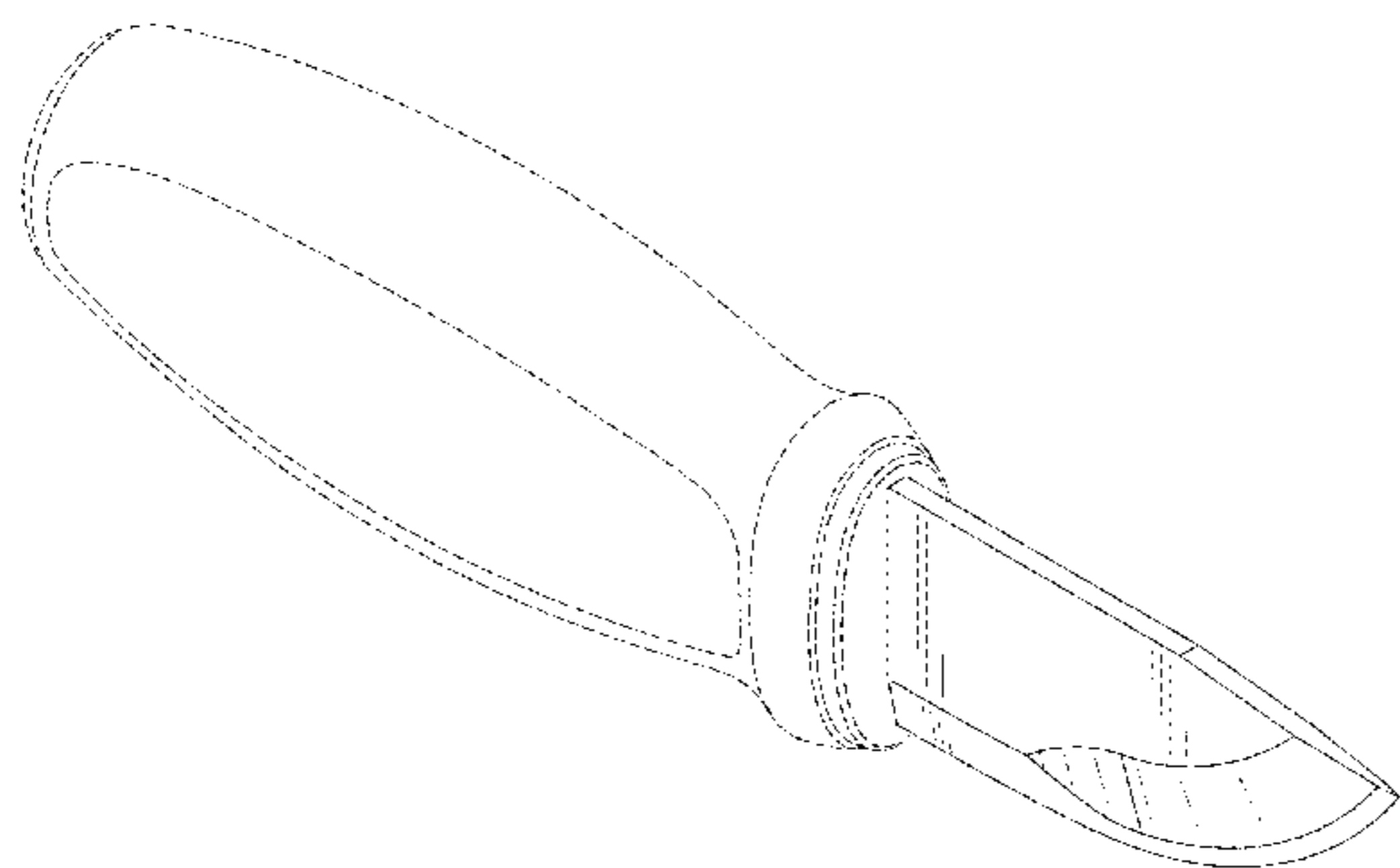
(57) **CLAIM**

The ornamental design for a knife blade, as shown and described.

DESCRIPTION

FIG. 1 is a left side perspective view from above of the knife blade showing our new design;
FIG. 2 is a left side perspective view from below of the knife blade of FIG. 1;
FIG. 3 is a left side elevational view of the knife blade of FIGS. 1 and 2;
FIG. 4 is a right side elevational view of the knife blade of FIGS. 1-3;
FIG. 5 is a top plan view of the knife blade of FIGS. 1-4;
FIG. 6 is a bottom plan view of the knife blade of FIGS. 1-5;
FIG. 7 is a front elevational view of the knife blade of FIGS. 1-6; and,
FIG. 8 is a rear elevational view of the knife blade of FIGS. 1-7.
The broken lines in the drawings which define a knife shaft form no part of the claimed design.

1 Claim, 7 Drawing Sheets



(56)

References Cited

U.S. PATENT DOCUMENTS

D714,115 S * 9/2014 Robinson D8/25
D730,145 S 5/2015 Eriksson et al.

* cited by examiner

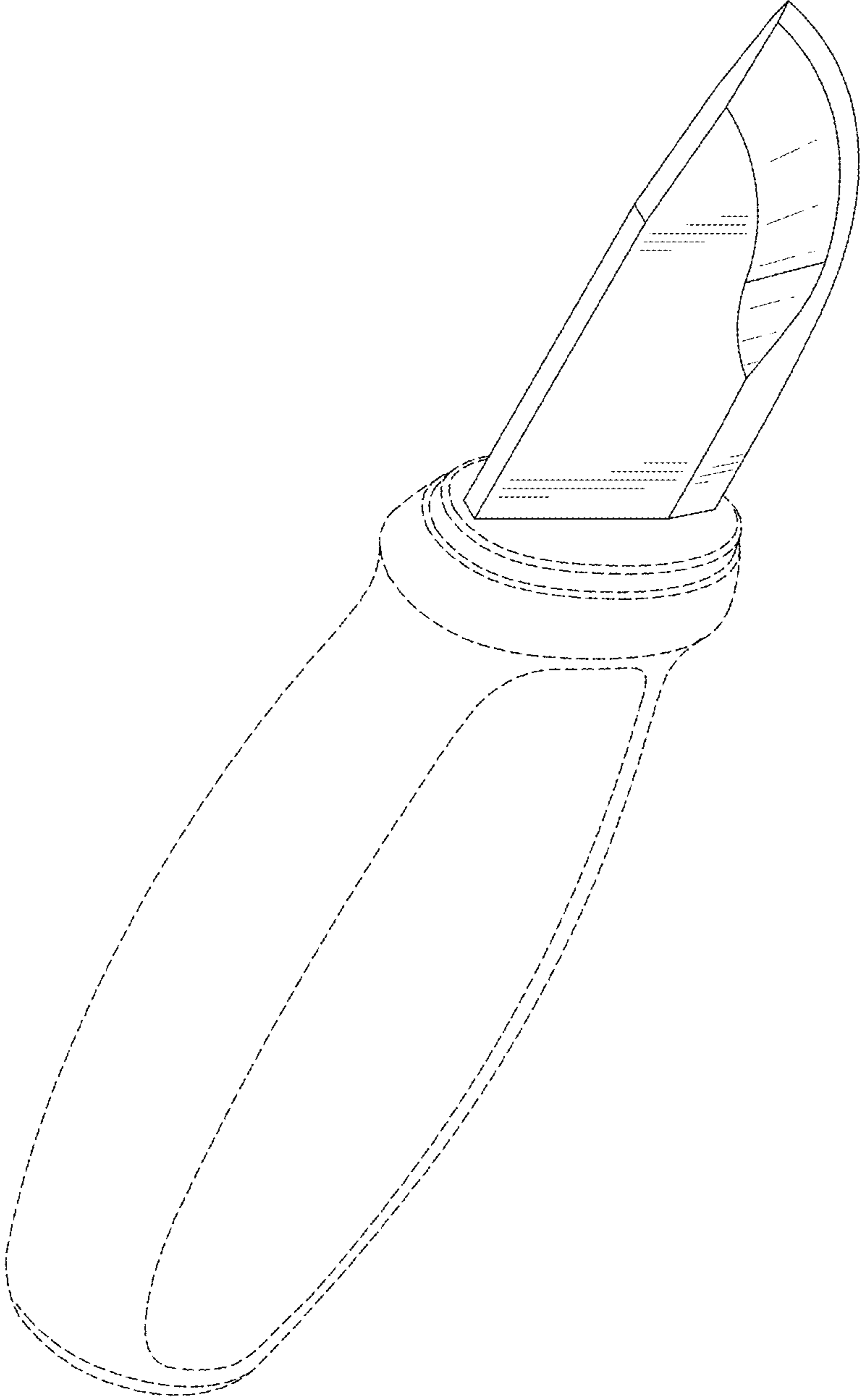


FIG. 1

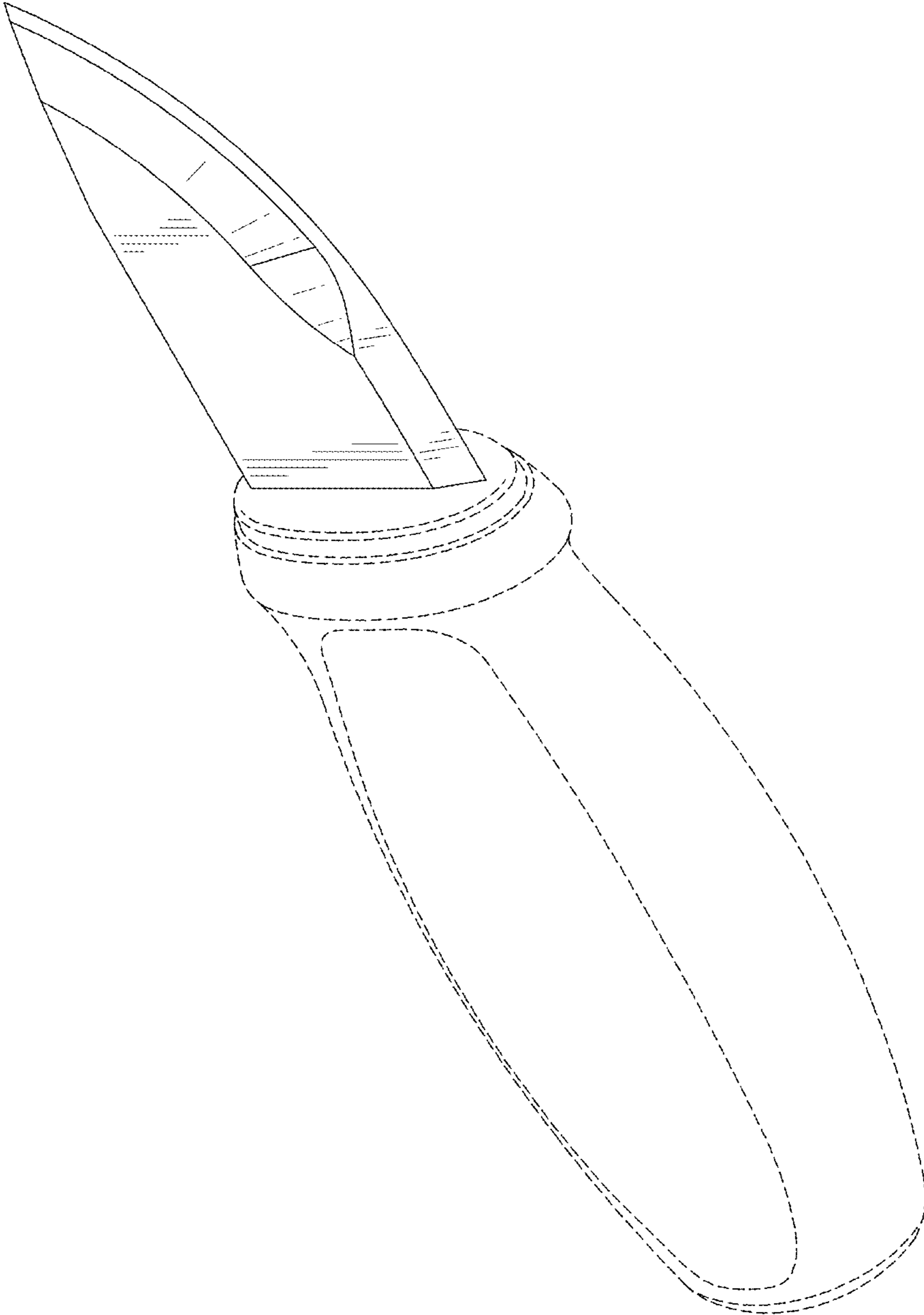


FIG. 2

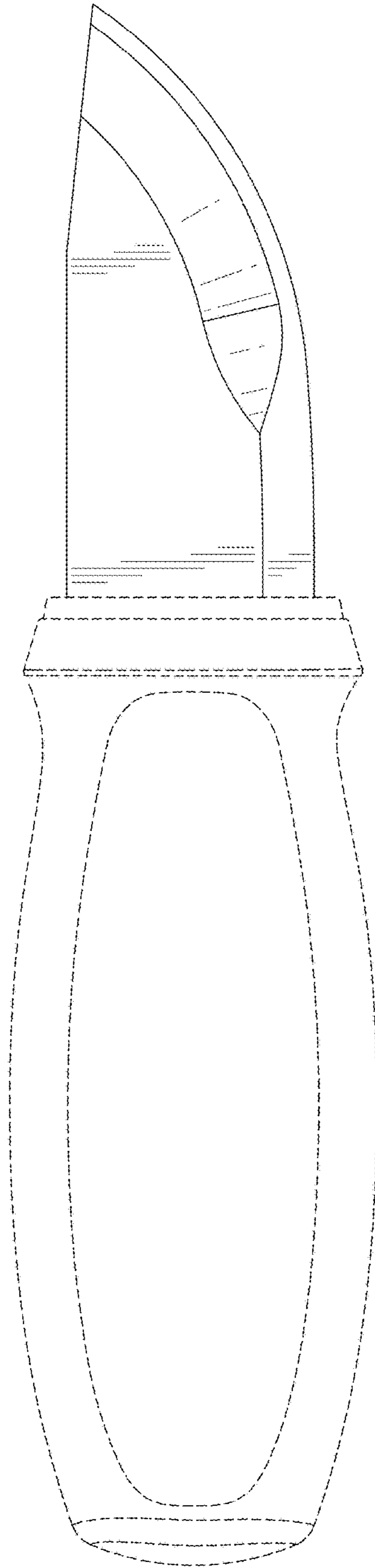


FIG. 3

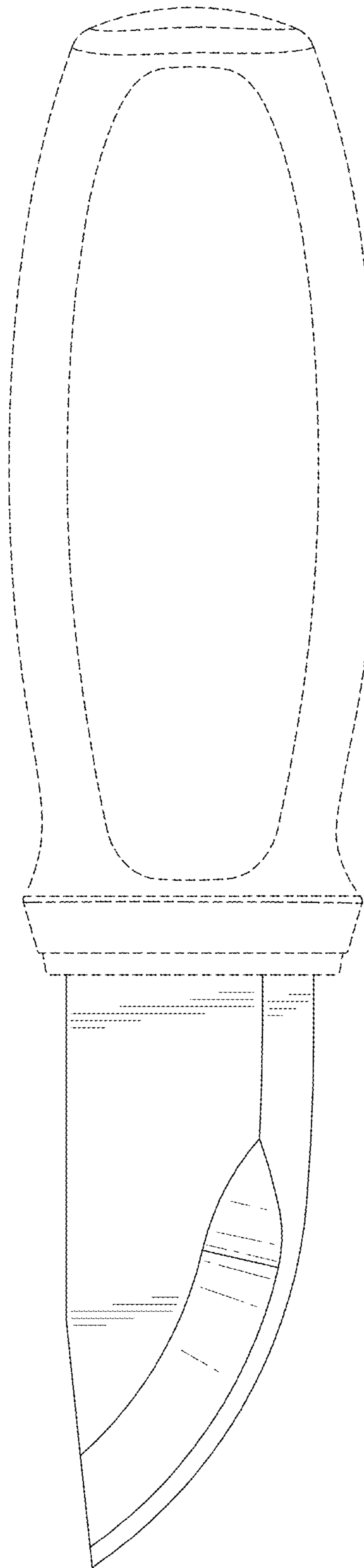


FIG. 4

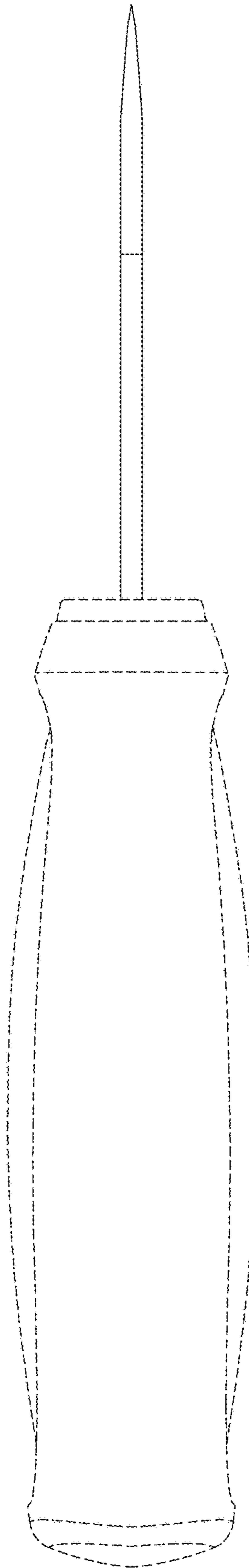


FIG. 5

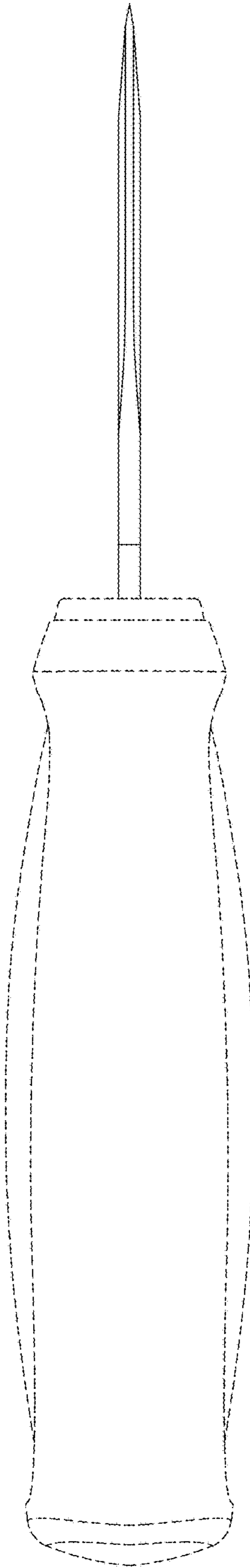


FIG. 6

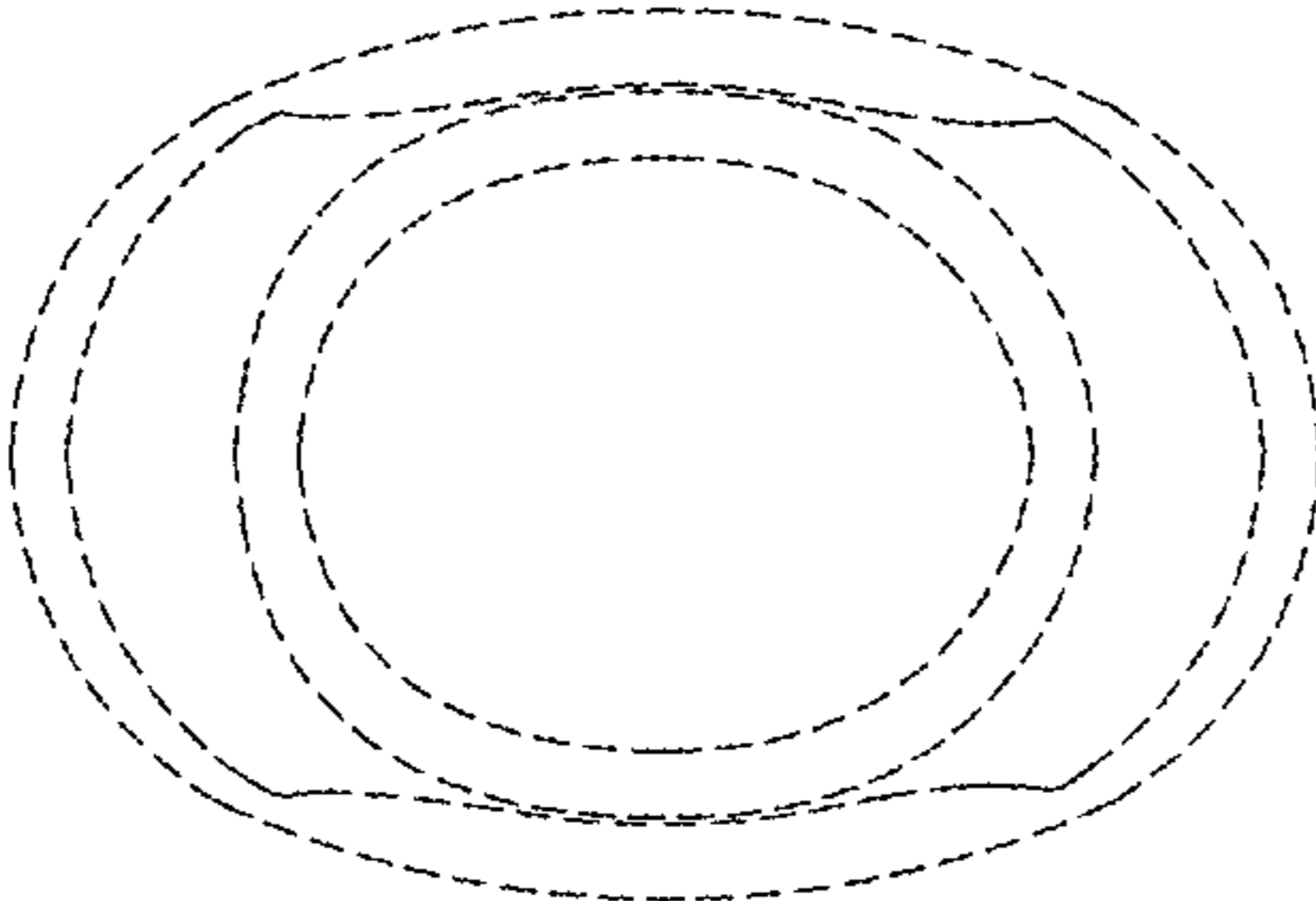


FIG. 8

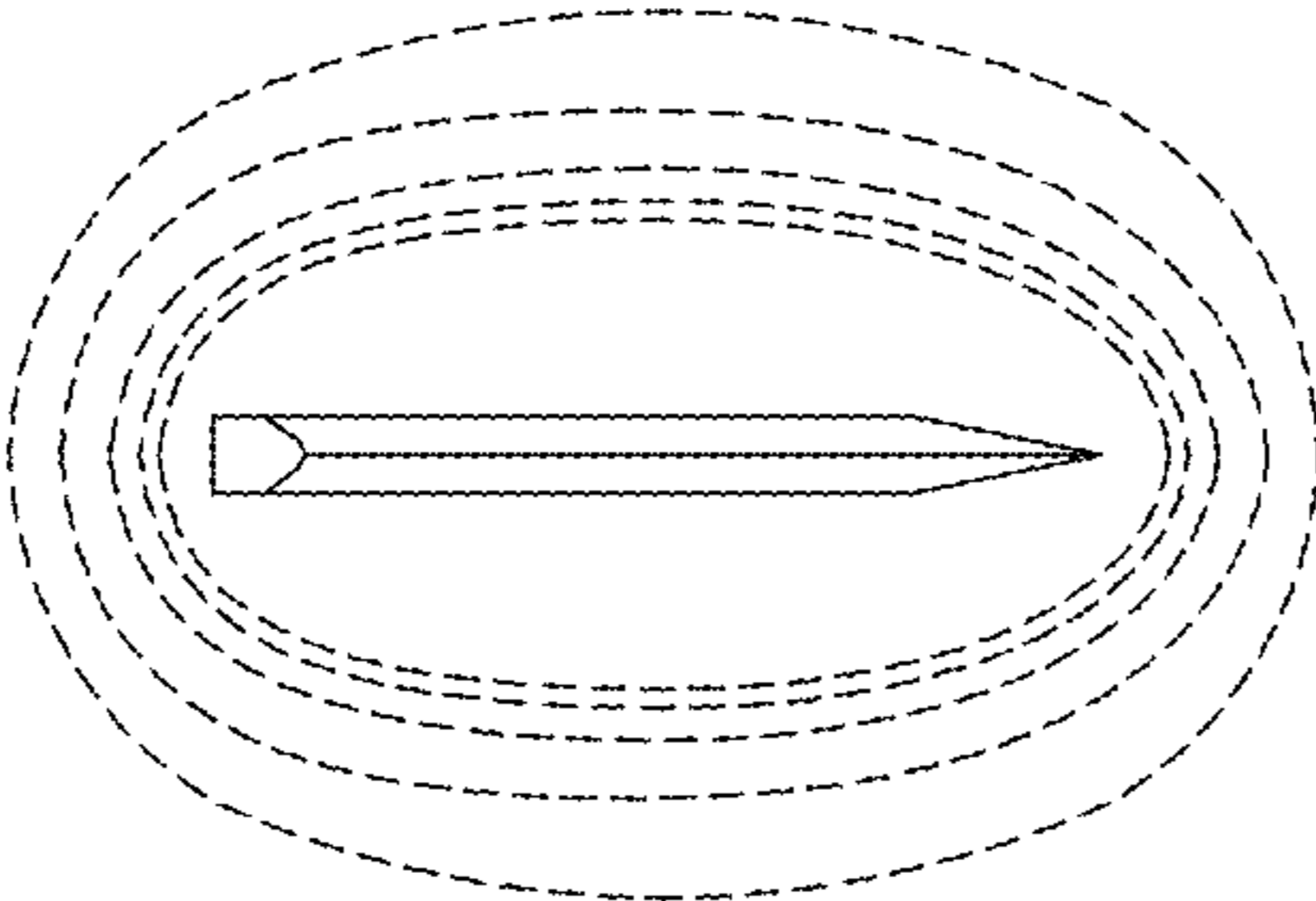


FIG. 7