



US00D810542S

(12) **United States Design Patent** (10) **Patent No.:** **US D810,542 S**
Hsu (45) **Date of Patent:** **** Feb. 20, 2018**

(54) **HANDLESET**
(71) Applicant: **Spectrum Brands, Inc.**, Middleton, WI (US)
(72) Inventor: **Wei Hsu**, Lake Forest, CA (US)
(73) Assignee: **Spectrum Brands, Inc.**, Middleton, WI (US)

D347,564 S * 6/1994 Carsello D8/302
D351,980 S * 11/1994 Molteni D8/302
D351,981 S * 11/1994 Susani D8/302
D571,183 S * 6/2008 Roberts, III D6/350
D579,760 S * 11/2008 Roberts, III D8/350
D739,203 S * 9/2015 Schneider D8/302
D787,911 S * 5/2017 Hsu D8/302
2004/0004359 A1 * 1/2004 Wartian E05C 1/12
292/336.3

(**) Term: **15 Years**

(21) Appl. No.: **29/589,625**

(22) Filed: **Jan. 3, 2017**

(51) **LOC (11) Cl.** **08-06**

(52) **U.S. Cl.** **D8/302**

USPC **D8/302**

(58) **Field of Classification Search**

USPC D8/300-302, 307-309, 310, 311, 331,

D8/338; D23/250, 252

CPC Y10T 16/44; Y10T 74/20612; Y10T

74/20732; Y10T 16/458; Y10T 16/498;

Y10T 16/469; Y10T 16/476; Y10T

74/20744; Y10T 74/20864; Y10T

16/4628; Y10T 74/20642; Y10T 16/473;

Y10T 74/20762; Y10T 74/2042; Y10T

74/20828; Y10T 16/459; Y10T 16/4713;

Y10T 74/2014; Y10T 16/50; Y10T

74/20438; Y10T 74/20582; Y10T

74/20738; Y10T 16/48; Y10T 74/20618;

Y10T 74/20684; Y10T 74/20624; Y10T

74/20468; Y10T 16/61; Y10T 16/4719;

Y10T 16/86; Y10S 16/30; Y10S 292/31;

Y10S 292/53; Y10S 16/12; Y10S 292/23;

Y10S 292/27; Y10S 292/30; Y10S

292/63; E05B 85/16; E05B 1/0015; E05B

77/06; E05B 79/06; E05B 85/18; E05B

85/12; E05B 85/10; E05B 7/00; E05B

1/0053; E05B 77/265

See application file for complete search history.

(56) **References Cited**

U.S. PATENT DOCUMENTS

D300,113 S * 3/1989 Halsted D8/302
D300,114 S * 3/1989 Halsted D8/302
D300,202 S * 3/1989 Halsted D8/302

OTHER PUBLICATIONS

“Palm Springs Sectional Handleset”; Baldwin; publication date unknown but prior to filing date of present application; <URL: <http://www.baldwinhardware.com/products/details/door-hardware/entrance/palm-springs-sectional-handleset-85395-264>>.

(Continued)

Primary Examiner — Lauren R Calve

(74) *Attorney, Agent, or Firm* — Banner & Witcoff, Ltd.

(57) **CLAIM**

The ornamental design for a handleset, as shown and described.

DESCRIPTION

FIG. 1 is a front perspective view of a handleset showing my new design;

FIG. 2 is a front view thereof;

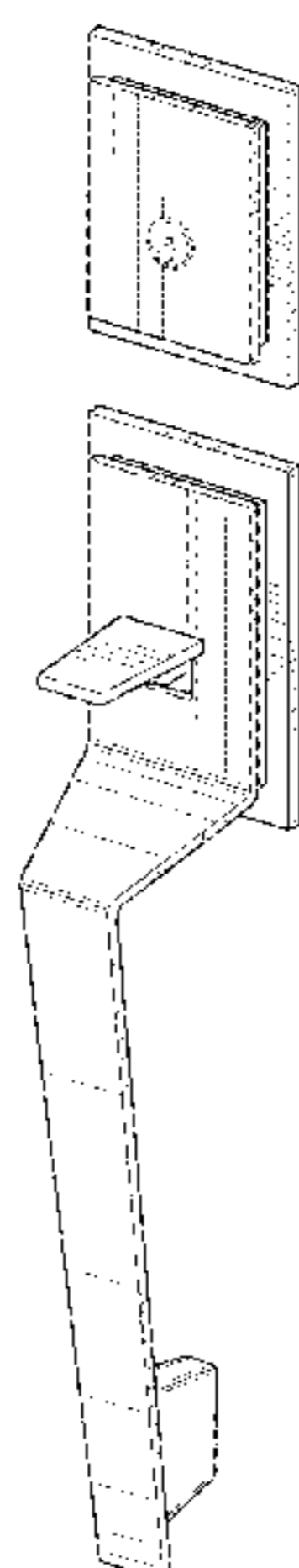
FIG. 3 is a right side view thereof;

FIG. 4 is a left side view thereof;

FIG. 5 is a top view thereof; and,

FIG. 6 is a bottom view thereof.

(Continued)



The broken line showing of the circular lock region and keyway of the handle set represents unclaimed subject matter and forms no part of the claimed design.

1 Claim, 6 Drawing Sheets

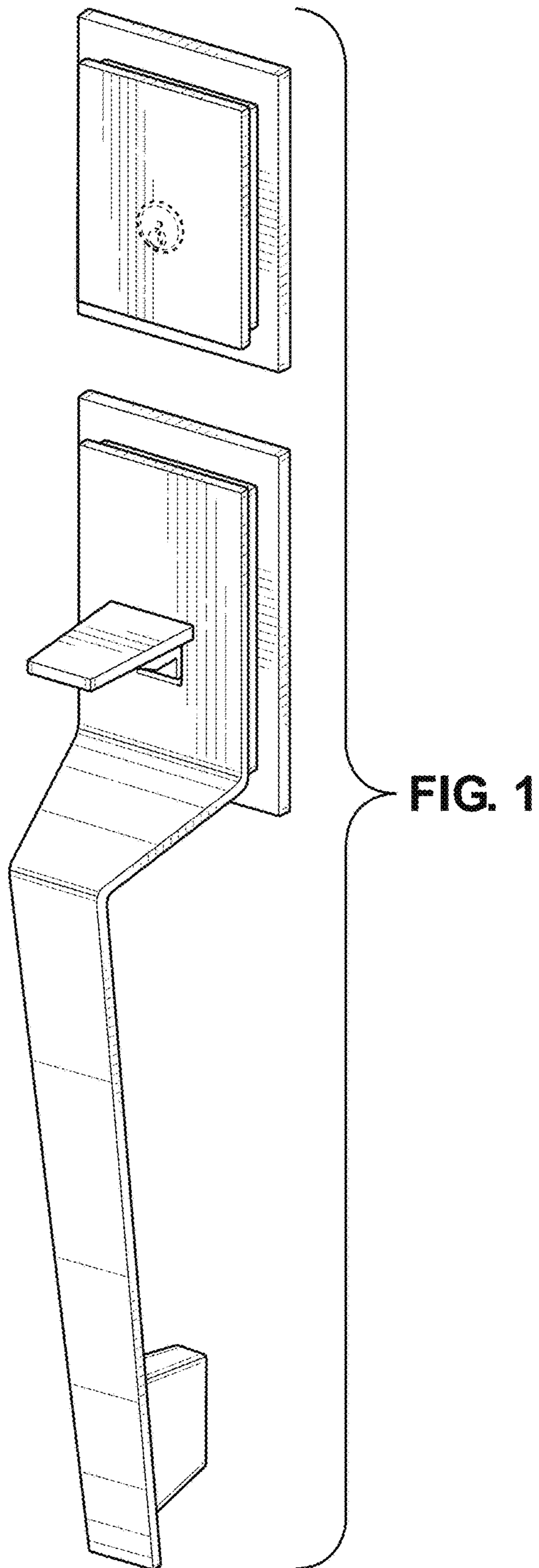
(56)

References Cited

OTHER PUBLICATIONS

“Minneapolis Sectional Handle set”; Baldwin; publication date unknown but prior to filing date of present application; <URL: <http://www.baldwinhardware.com/products/details/door-hardware/entrance/minneapolis-sectional-handle-set-85390-260>>.

* cited by examiner



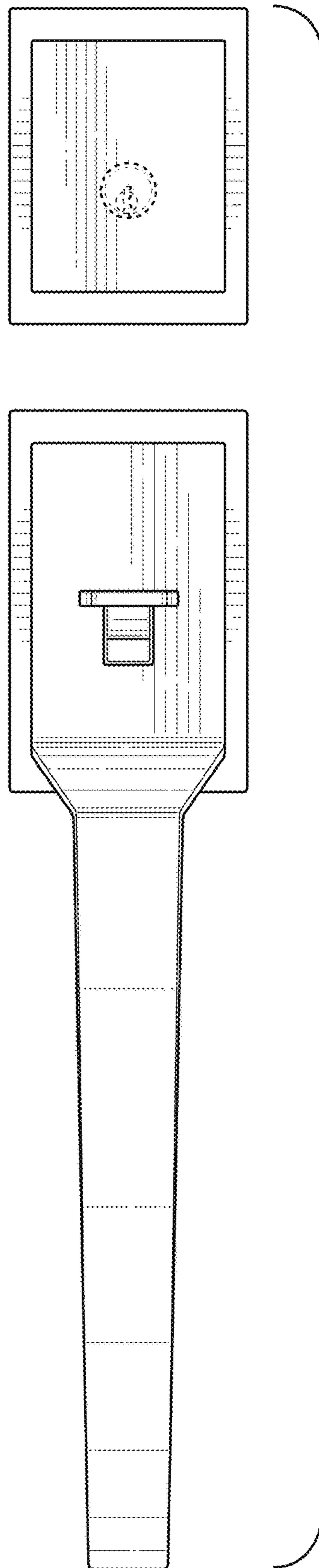


FIG. 2

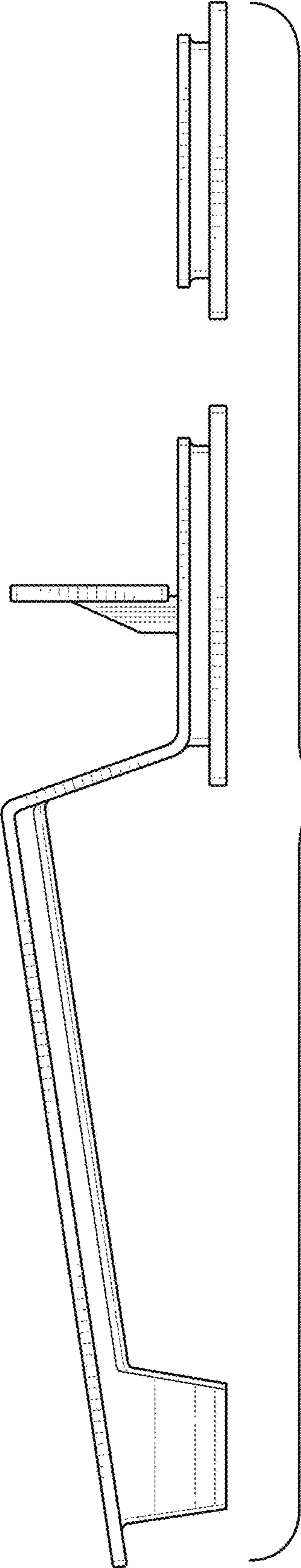


FIG. 3

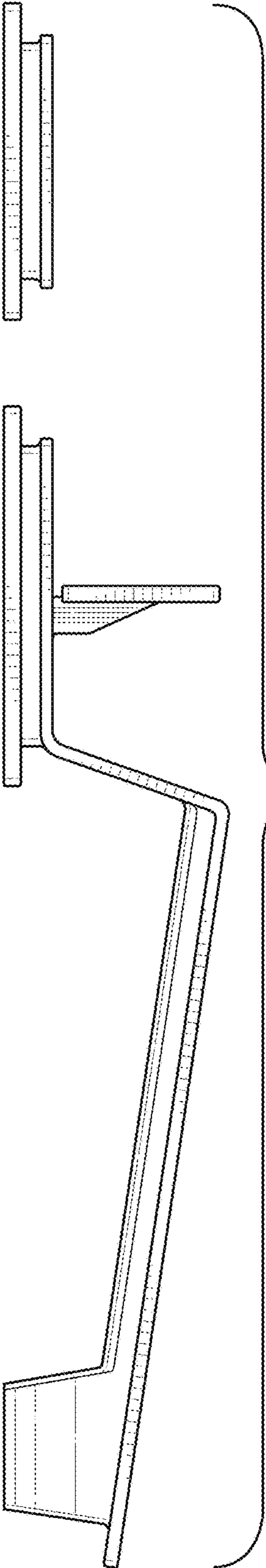


FIG. 4

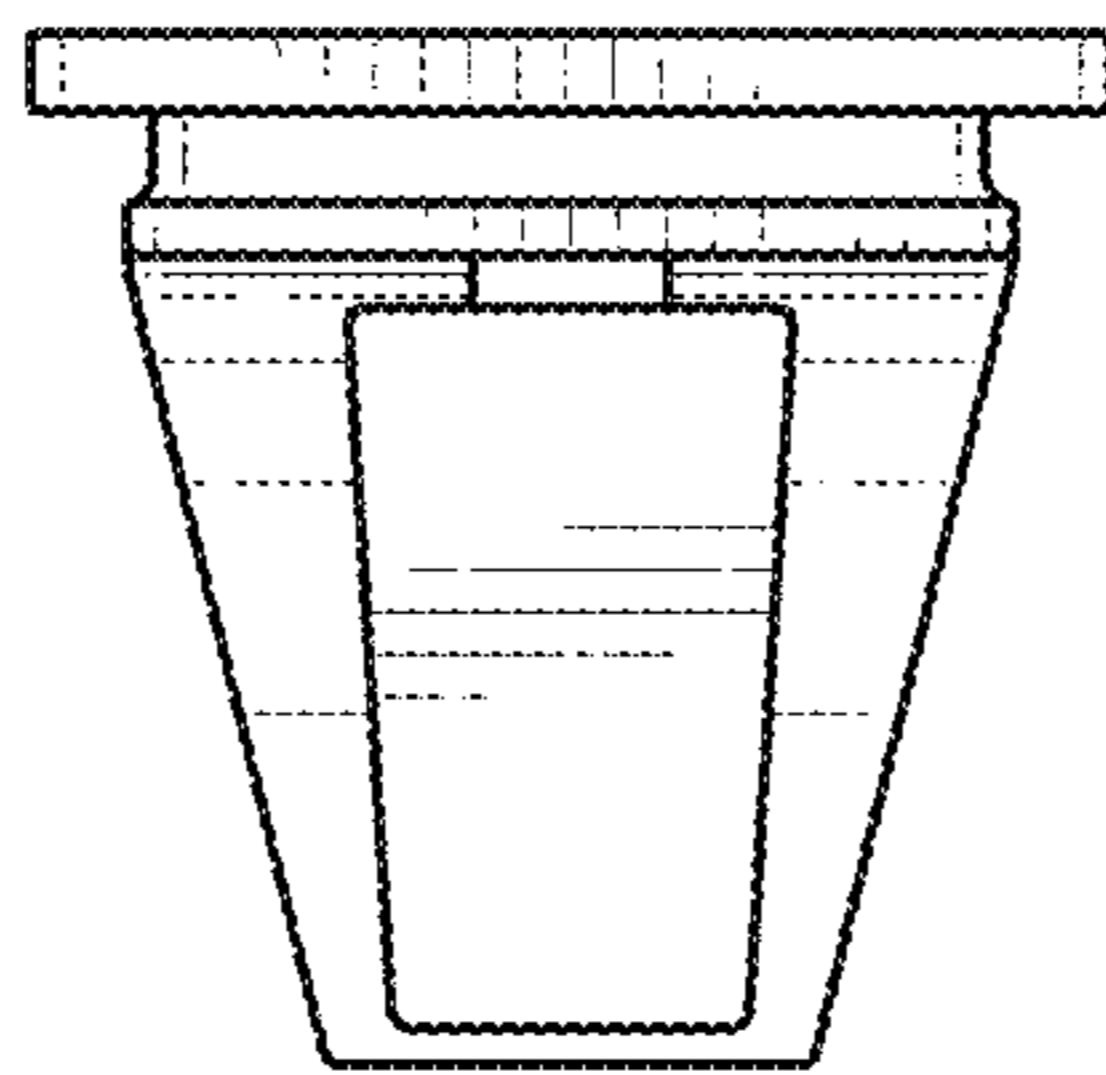


FIG. 5

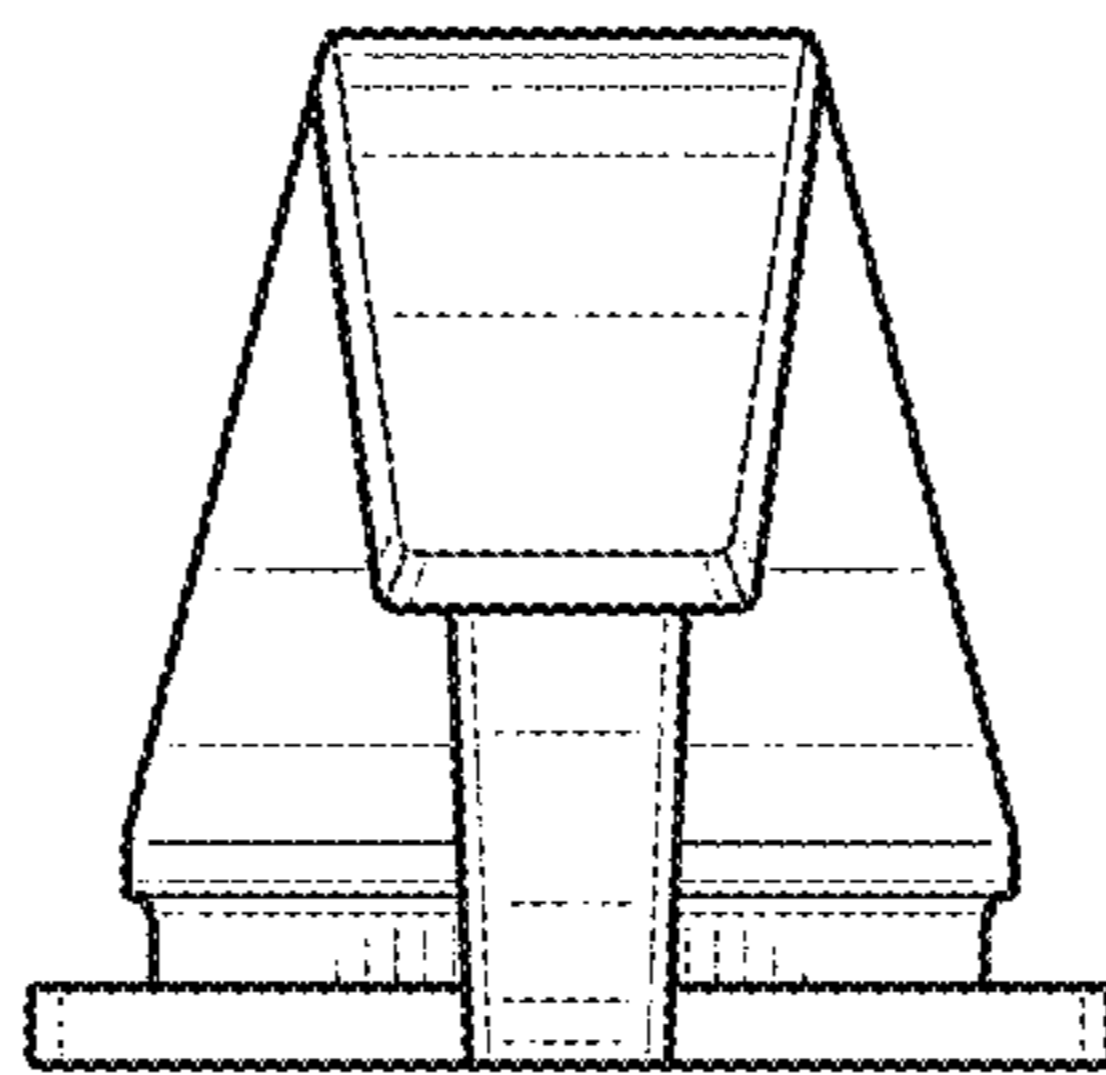


FIG. 6