



US00D810537S

(12) **United States Design Patent**
Nelson

(10) **Patent No.:** **US D810,537 S**

(45) **Date of Patent:** **** Feb. 20, 2018**

- (54) **OVERSTRIKE FOR A STRIKING TOOL**
- (71) Applicant: **Home Depot Product Authority, LLC**,
Atlanta, GA (US)
- (72) Inventor: **Michael R. Nelson**, Peachtree City, GA
(US)
- (73) Assignee: **Home Depot Product Authority, LLC**,
Atlanta, GA (US)

(**) Term: **15 Years**

(21) Appl. No.: **29/559,112**

(22) Filed: **Mar. 24, 2016**

(51) **LOC (11) Cl.** **08-02**

(52) **U.S. Cl.**
USPC **D8/80**

(58) **Field of Classification Search**
 USPC D8/1, 11, 75-81, 107, 303, 29.1, 29.2,
 D8/30, 32, 44, 45, 60, 64, 65, 68, 82-85,
 D8/87, 95-99; D21/405-406, 444, 470,
 D21/492; D22/117, 118; D28/13
 CPC A01B 1/20; A01B 1/227; A01G 23/099;
 B25D 1/00; B25D 1/045; B25D 1/06;
 B25G 1/10; B25G 1/01; B25G 1/08;
 B25G 3/28; B25G 3/34; B26B 23/00;
 B27L 7/06

See application file for complete search history.

(56) **References Cited**

U.S. PATENT DOCUMENTS

- 776,734 A * 12/1904 Fuller B26B 23/00
30/308.1
- 2,604,130 A * 7/1952 Derby B27B 21/04
30/166.3
- 4,008,526 A * 2/1977 Swett A63F 9/06
434/259
- 4,287,640 A * 9/1981 Keathley B25G 3/34
125/43

- 4,344,901 A * 8/1982 Keathley B25G 3/34
264/261
- D288,406 S * 2/1987 Santos D8/78
- 4,723,582 A * 2/1988 Caspall B25D 1/00
101/31
- D312,967 S * 12/1990 Jones D9/563
- D330,837 S * 11/1992 Harmon D8/80
- D365,739 S * 1/1996 Weintraut D8/78
- D376,911 S * 12/1996 Zigelboim D4/122
- 5,611,100 A * 3/1997 Zigelboim B05C 17/0205
15/230.11
- D381,884 S * 8/1997 Spirer D8/75

(Continued)

OTHER PUBLICATIONS

22 Mm Rubber Grip. Downloaded from https://www.alibaba.com/product-detail/22-mm-rubber-grip-rubber-plastic_1959519712.html . . . on Sep. 25, 2017.*

(Continued)

Primary Examiner — Philip S Hyder
Assistant Examiner — Roselynn Cody
 (74) *Attorney, Agent, or Firm* — Greenberg Traurig, LLP

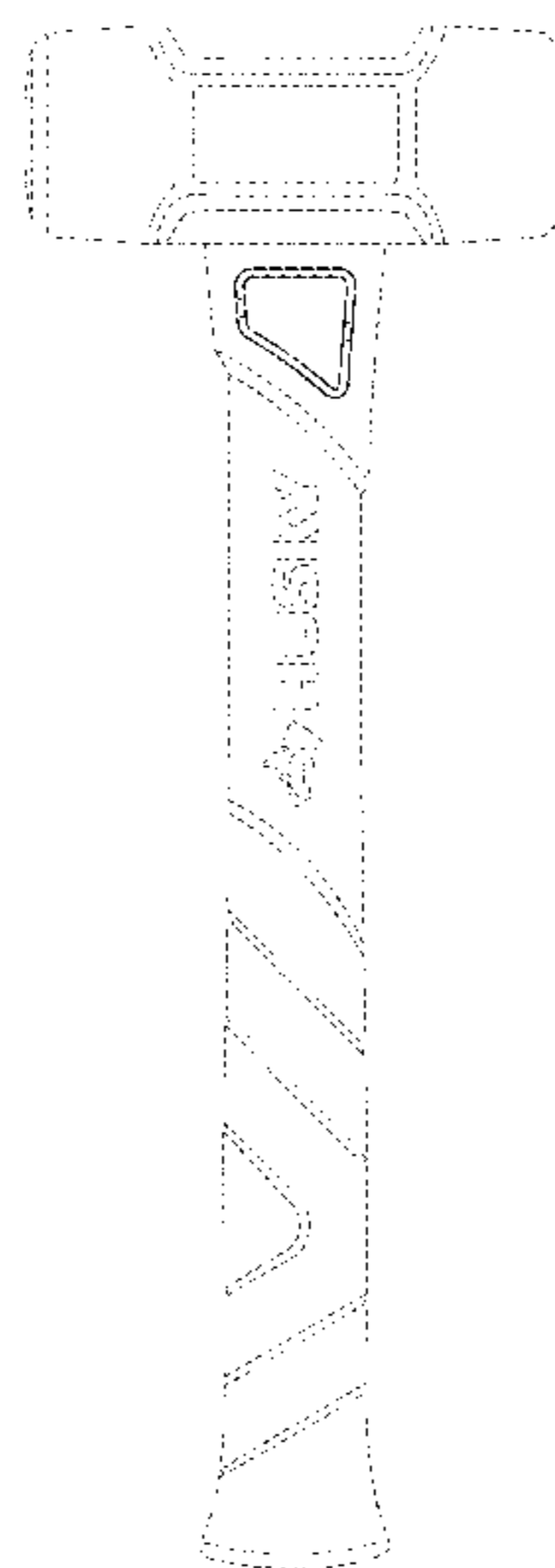
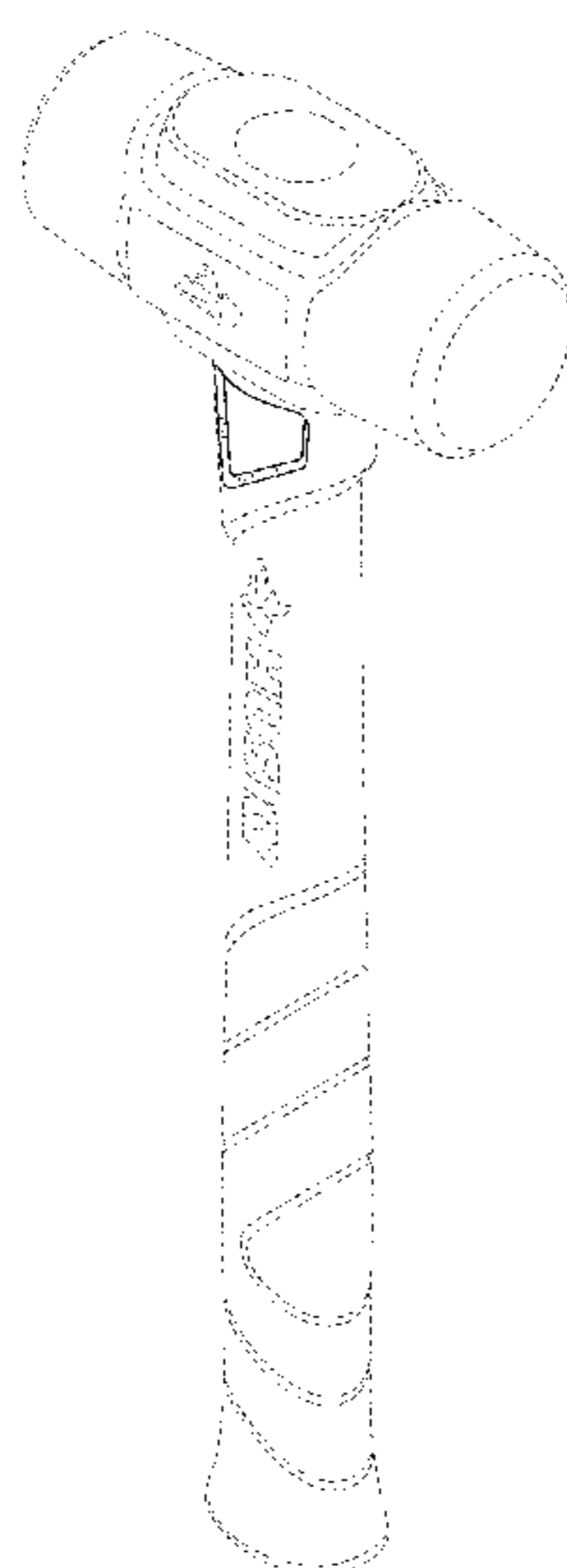
(57) **CLAIM**

The ornamental design for an overstrike for a striking tool, as shown and described.

DESCRIPTION

FIG. 1 is a perspective view of my design;
 FIG. 2 is a front view thereof;
 FIG. 3 is a rear view thereof;
 FIG. 4 is a right view thereof; and,
 FIG. 5 is a left view thereof.
 Broken lines in the drawings which directly surround the claimed subject matter depict portions of the overstrike that form no part of the claim. Other broken lines depicting a striking head and a shank with grip are directed to environment and also form no part of the claim.

1 Claim, 3 Drawing Sheets



(56)

References Cited

U.S. PATENT DOCUMENTS

5,988,020 A * 11/1999 Johnson B25D 1/06
81/23
D429,985 S * 8/2000 Tovar D8/78
6,647,829 B1 * 11/2003 Youngren B25G 1/01
254/26 R
D488,984 S * 4/2004 Chun-Lee D8/303
D535,471 S * 1/2007 Parsons D22/117
D542,108 S * 5/2007 Chu D8/61
D554,964 S * 11/2007 Taylor D8/99
D555,569 S * 11/2007 Buettner D12/223
D588,433 S * 3/2009 van Deursen D8/99
D618,079 S * 6/2010 Blythe D8/61
D628,870 S * 12/2010 Jerabek D8/78
D633,355 S * 3/2011 McCray D8/107
D642,031 S * 7/2011 Pehar D8/44
D646,727 S * 10/2011 Daniel D21/333
D652,703 S * 1/2012 Onello D8/77
D653,094 S * 1/2012 Onello D8/77
D653,095 S * 1/2012 Onello D8/77
D660,123 S * 5/2012 Islas D8/80
D663,180 S * 7/2012 Jerome D8/61
D664,823 S * 8/2012 Pringnitz D8/7
D706,377 S * 6/2014 Zayatz D22/108
D711,638 S * 8/2014 Wu D2/968
D715,789 S * 10/2014 Yoon D14/250

D725,986 S * 4/2015 May D8/303
D740,630 S * 10/2015 Hasenmayer D8/30
D741,133 S * 10/2015 Tinius D8/65
D770,257 S * 11/2016 Stokes D8/75
D770,258 S * 11/2016 Stokes D8/76
D772,671 S * 11/2016 Stokes D8/75
D773,276 S * 12/2016 Ou D8/107
D790,312 S * 6/2017 Hurt D8/45
D795,031 S * 8/2017 Jones D8/45
9,731,427 B2 * 8/2017 Gratsias B26B 21/522
2006/0021473 A1 * 2/2006 Deros B25D 1/045
81/20
2012/0119173 A1 * 5/2012 Hanlon B25D 1/045
254/26 R

OTHER PUBLICATIONS

Kobalt 19-oz Overstrike Framing Hammer. Snagged Sep. 13, 2017 from <https://www.pinterest.de/pin/378020962454661596/>. *
Husky 27 oz. Dead Blow Rubber Handle Hammer-N-G27DBHN. Downloaded from <http://www.homedepot.com/p/Husky-27-oz-Dead-Blow-Rubber-Handle-Hammer-N-G27...> on Sep. 13, 2017.*
Husky 1¼ lb. Premium Camp Axe with 14 in. Fiberglass Handle-HD-F125SB. Downloaded from <http://www.homedepot.com/p/Husky-1-1-4-lb-Premium-Camp-Axe-with-14-in-Fiberglass-...> on Sep. 13, 2017.*

* cited by examiner

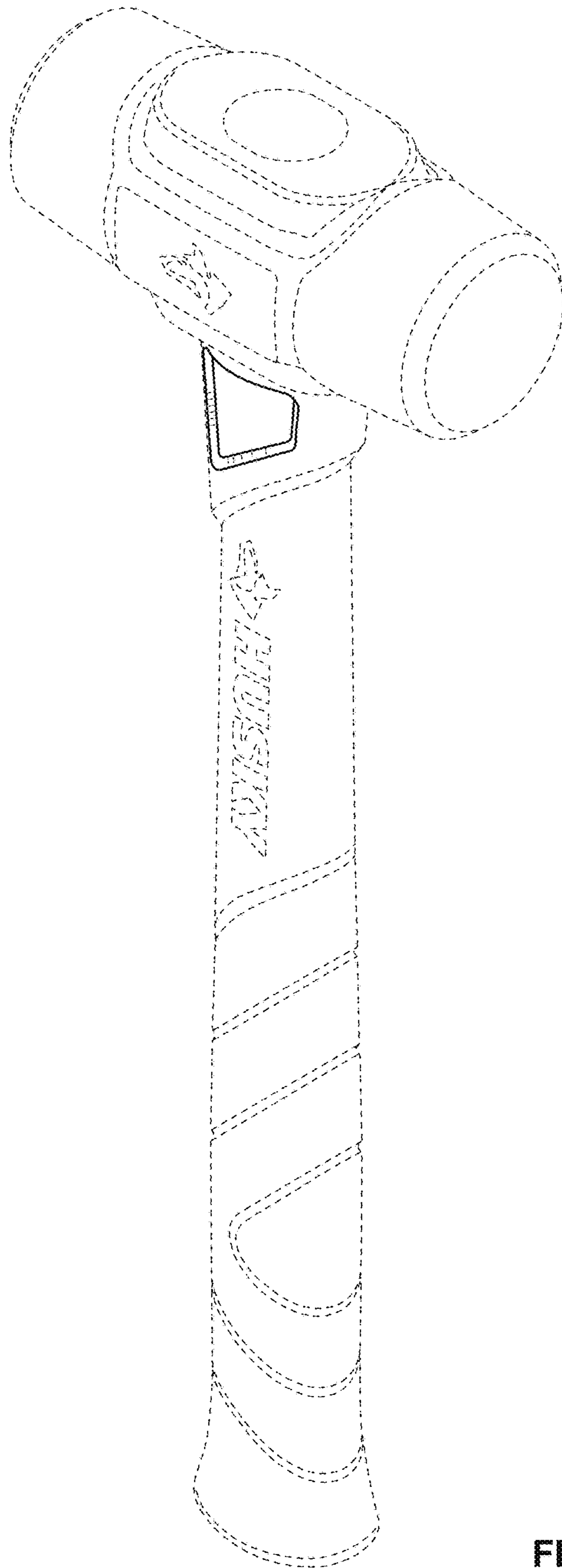
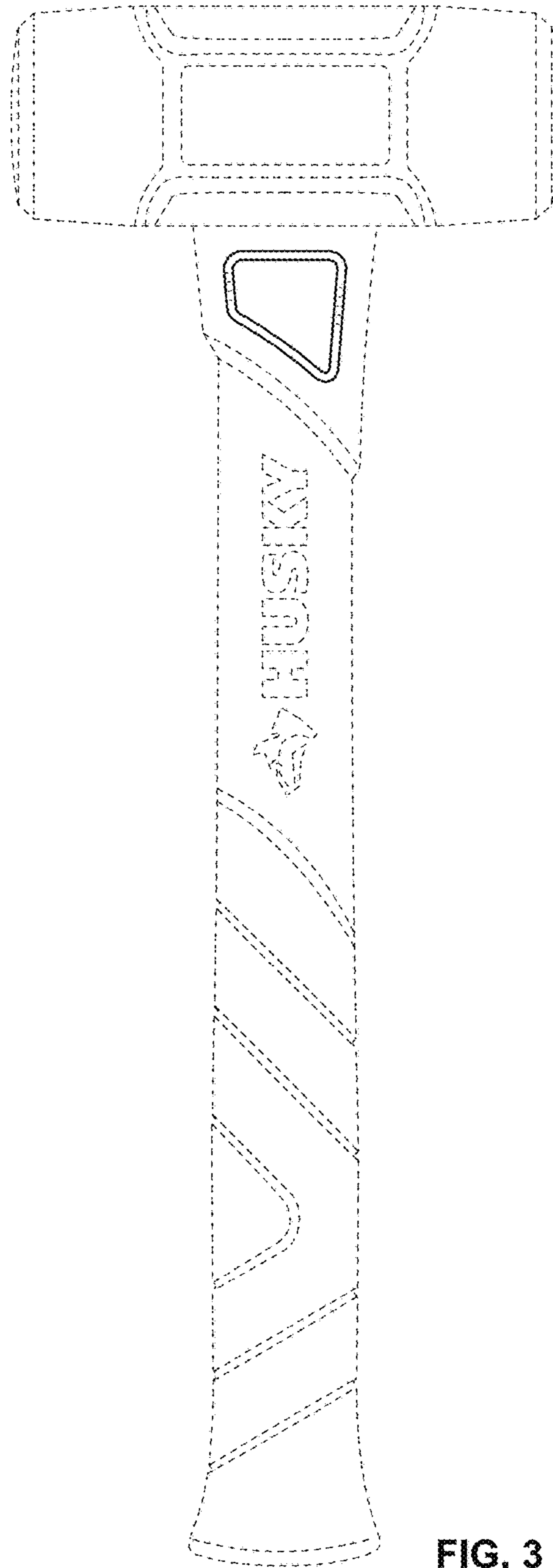
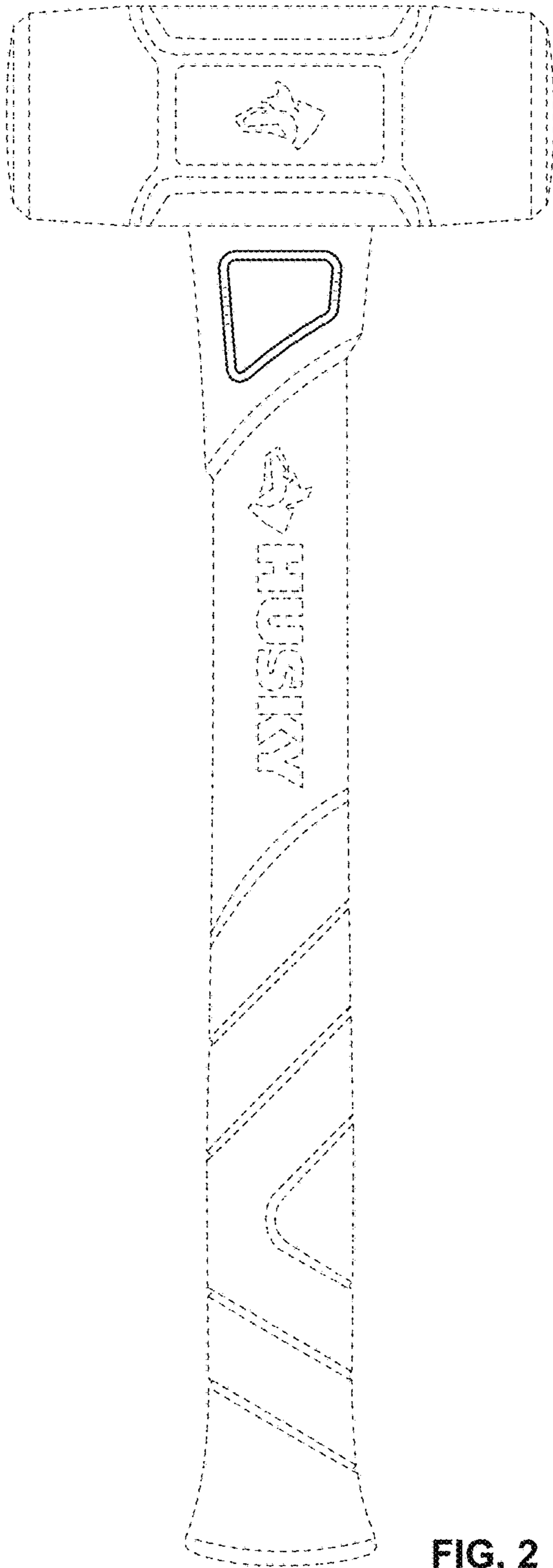


FIG. 1



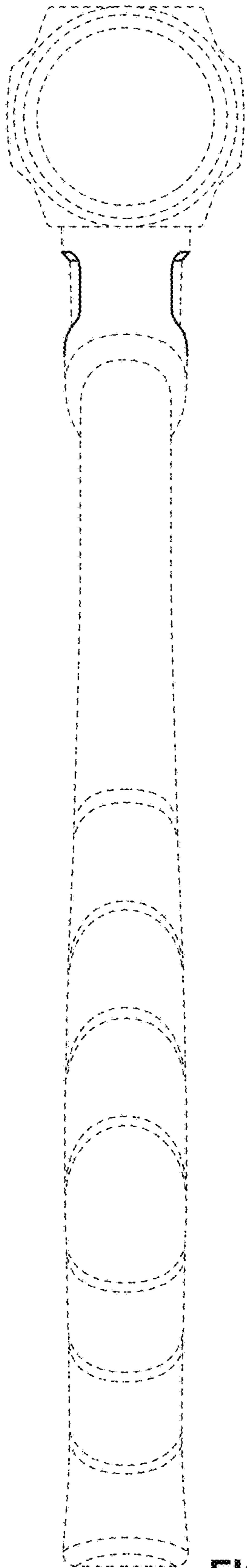


FIG. 4

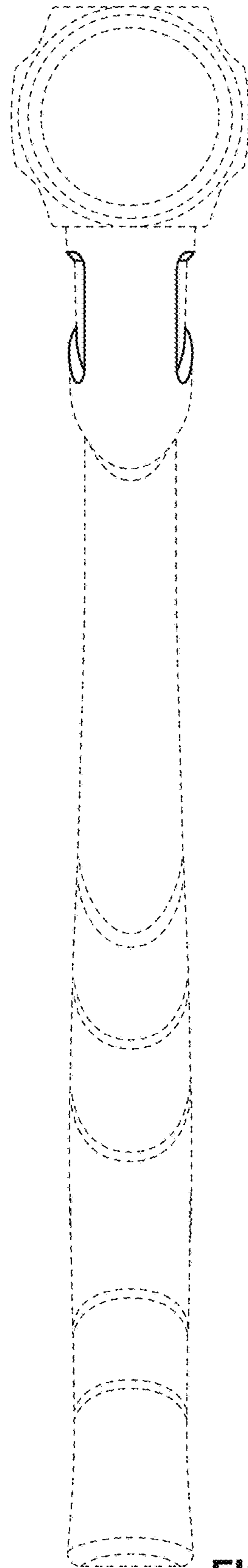


FIG. 5