



US00D810536S

(12) **United States Design Patent**  
**Hikoyama**

(10) **Patent No.:** **US D810,536 S**

(45) **Date of Patent:** **\*\* Feb. 20, 2018**

(54) **PIPE CLAMP**

(71) Applicant: **Atsushi Hikoyama**, Tokyo (JP)

(72) Inventor: **Atsushi Hikoyama**, Tokyo (JP)

(\*\*) Term: **15 Years**

(21) Appl. No.: **29/575,827**

(22) Filed: **Aug. 29, 2016**

(51) **LOC (11) Cl.** ..... **08-05**

(52) **U.S. Cl.**  
USPC ..... **D8/72**

(58) **Field of Classification Search**  
USPC ..... D8/71-74, 394-399, 59; 248/63, 72,  
248/74.1, 689, 124.2; 81/487, 385, 386,  
81/388-390; 269/3, 4, 6, 143, 165, 240,  
269/243, 246-249, 254 R, 147-149;  
29/256, 257, 276; 408/103, 104-109  
CPC ..... B25B 1/00; B25B 5/00  
See application file for complete search history.

(56) **References Cited**

**U.S. PATENT DOCUMENTS**

- 4,145,160 A \* 3/1979 Wiggins ..... B23B 47/288  
408/103
- D272,043 S \* 1/1984 Cowdroy ..... D8/382
- D296,545 S \* 7/1988 Sachs ..... D13/149
- D318,282 S \* 7/1991 Kern ..... D15/138

- D354,899 S \* 1/1995 Messier ..... D21/440
- 5,466,098 A \* 11/1995 Juang ..... B23B 47/288  
408/103
- 5,947,652 A \* 9/1999 Wagner ..... B23B 47/288  
408/1 R
- 8,074,945 B2 \* 12/2011 Schoenau ..... F16L 3/222  
248/316.6
- D757,215 S \* 5/2016 Gehrung ..... D23/226
- D758,178 S \* 6/2016 Kim ..... D8/396
- D761,645 S \* 7/2016 Kim ..... D8/354
- D762,110 S \* 7/2016 Olson ..... D8/394
- D785,432 S \* 5/2017 Ju ..... D8/74

\* cited by examiner

*Primary Examiner* — David Muller

(74) *Attorney, Agent, or Firm* — Lynette Wylle; Apex  
Juris, PLLC.

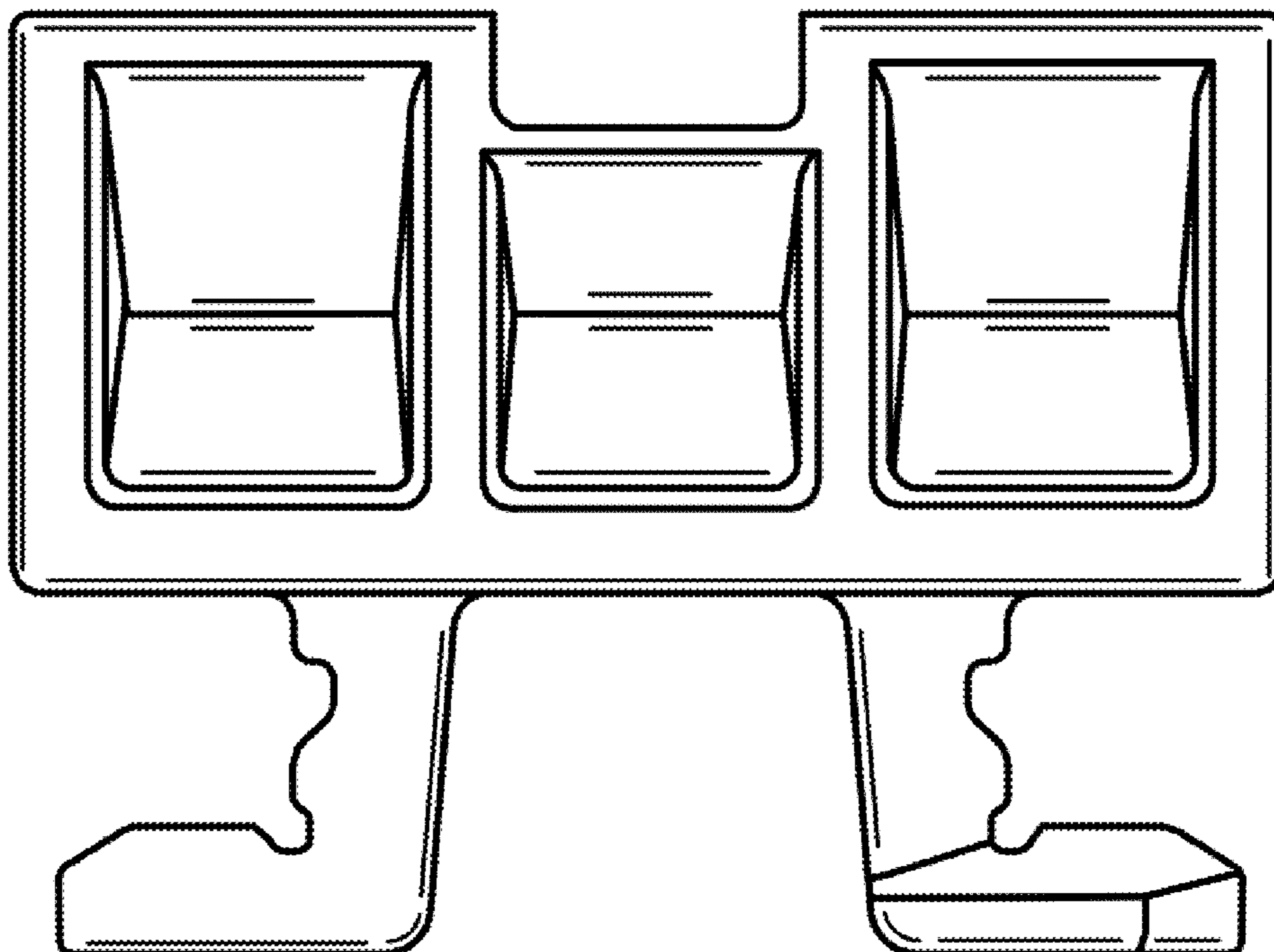
(57) **CLAIM**

The ornamental design for a pipe clamp, as shown and  
described.

**DESCRIPTION**

- FIG. 1 is a front view of the pipe clamp.
- FIG. 2 is a rear view of the pipe clamp.
- FIG. 3 is a right side view of the pipe clamp.
- FIG. 4 is a left side view of the pipe clamp.
- FIG. 5 is a plan view of the pipe clamp.
- FIG. 6 is a bottom view of the pipe clamp; and,
- FIG. 7 is a perspective view of the pipe clamp.

**1 Claim, 4 Drawing Sheets**



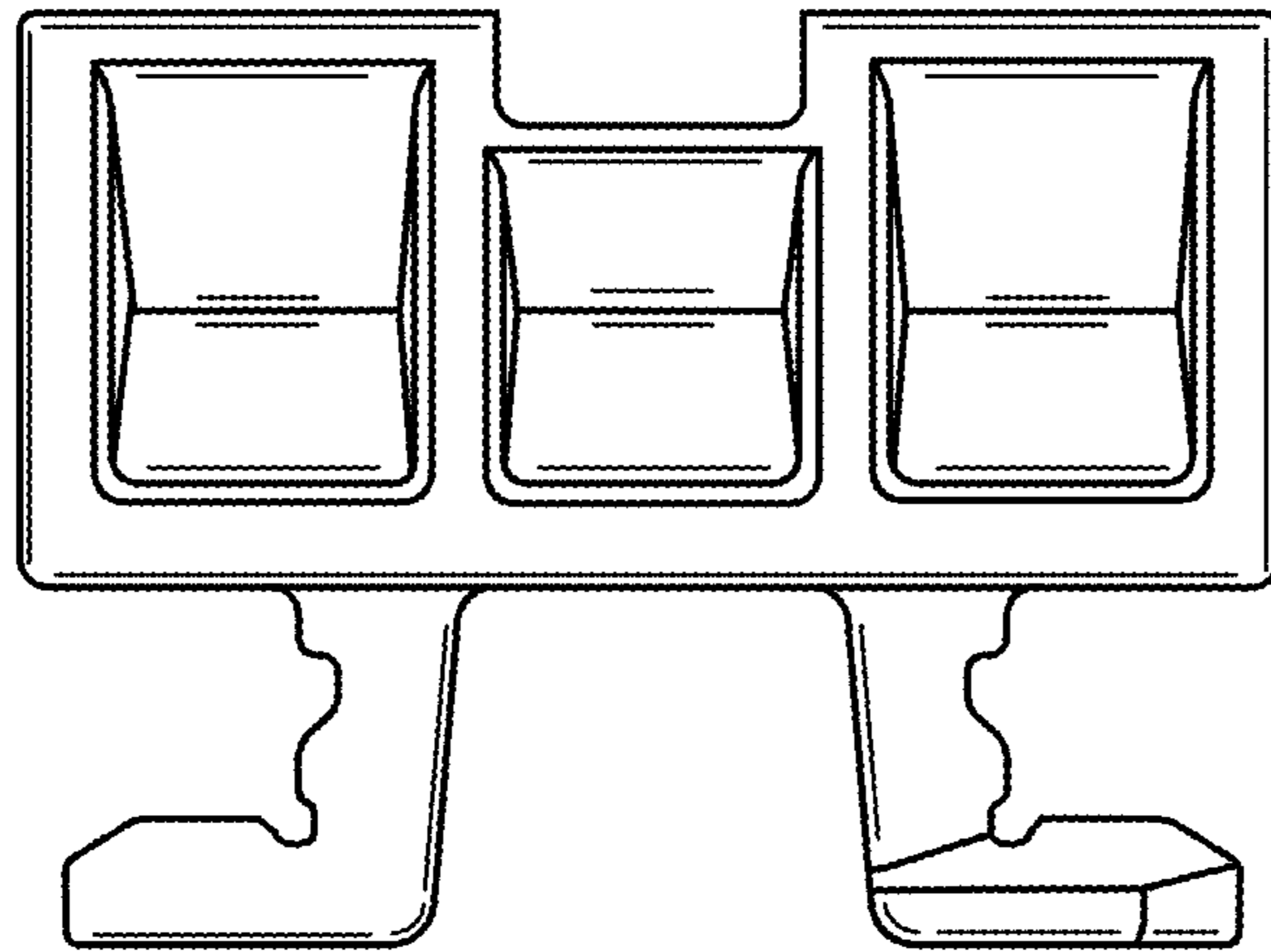


FIG. 1

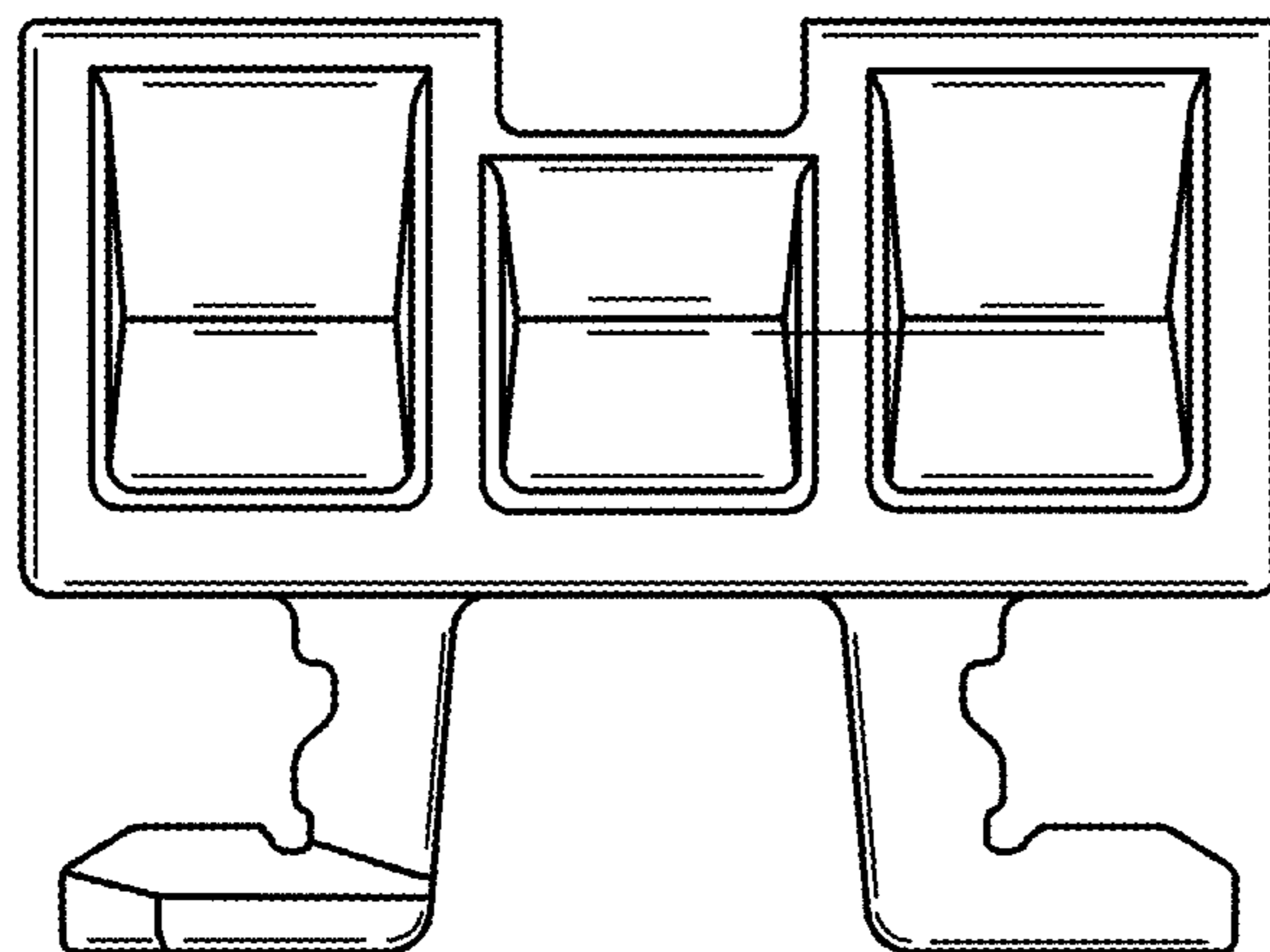


FIG. 2

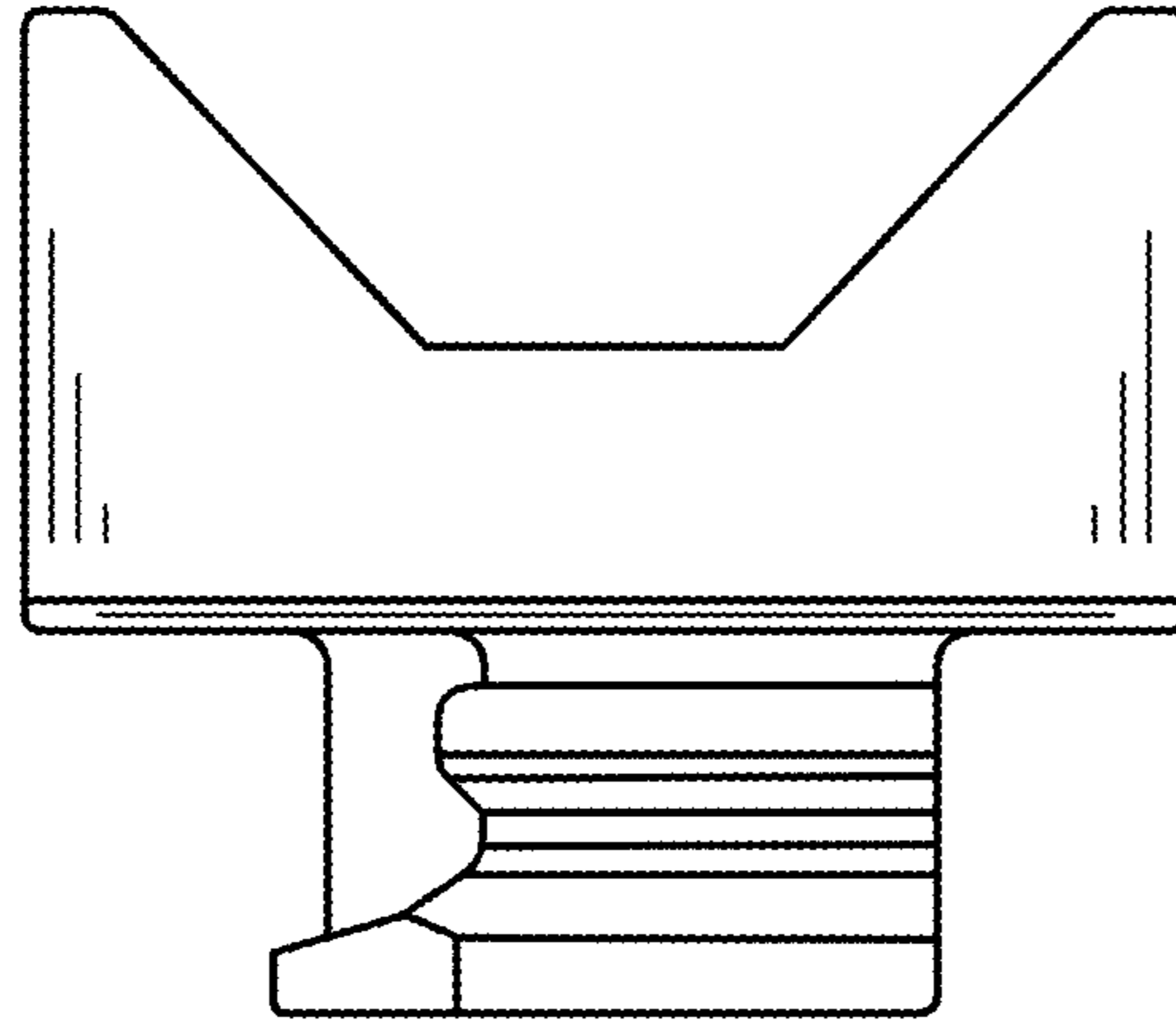


FIG. 3

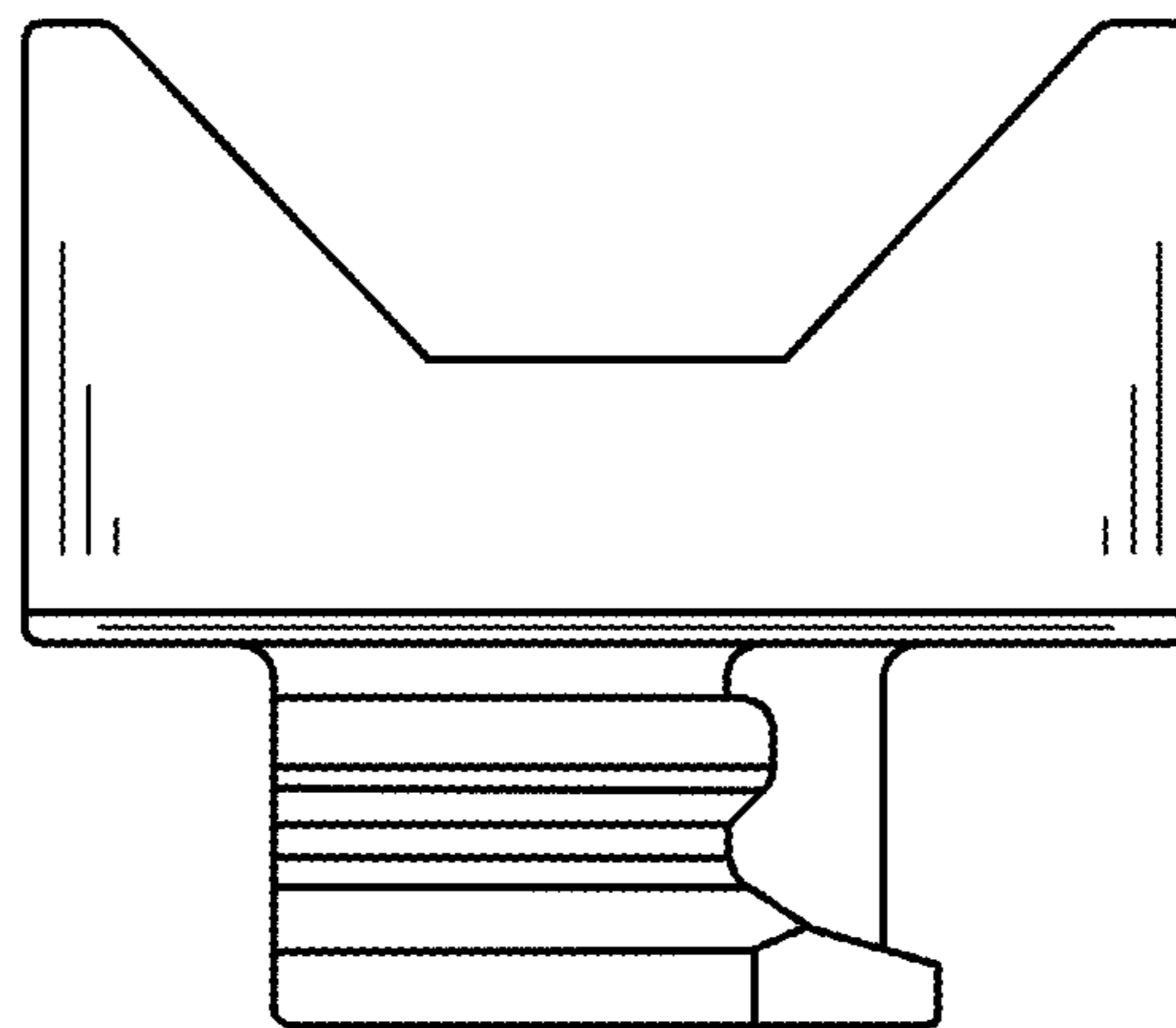


FIG. 4

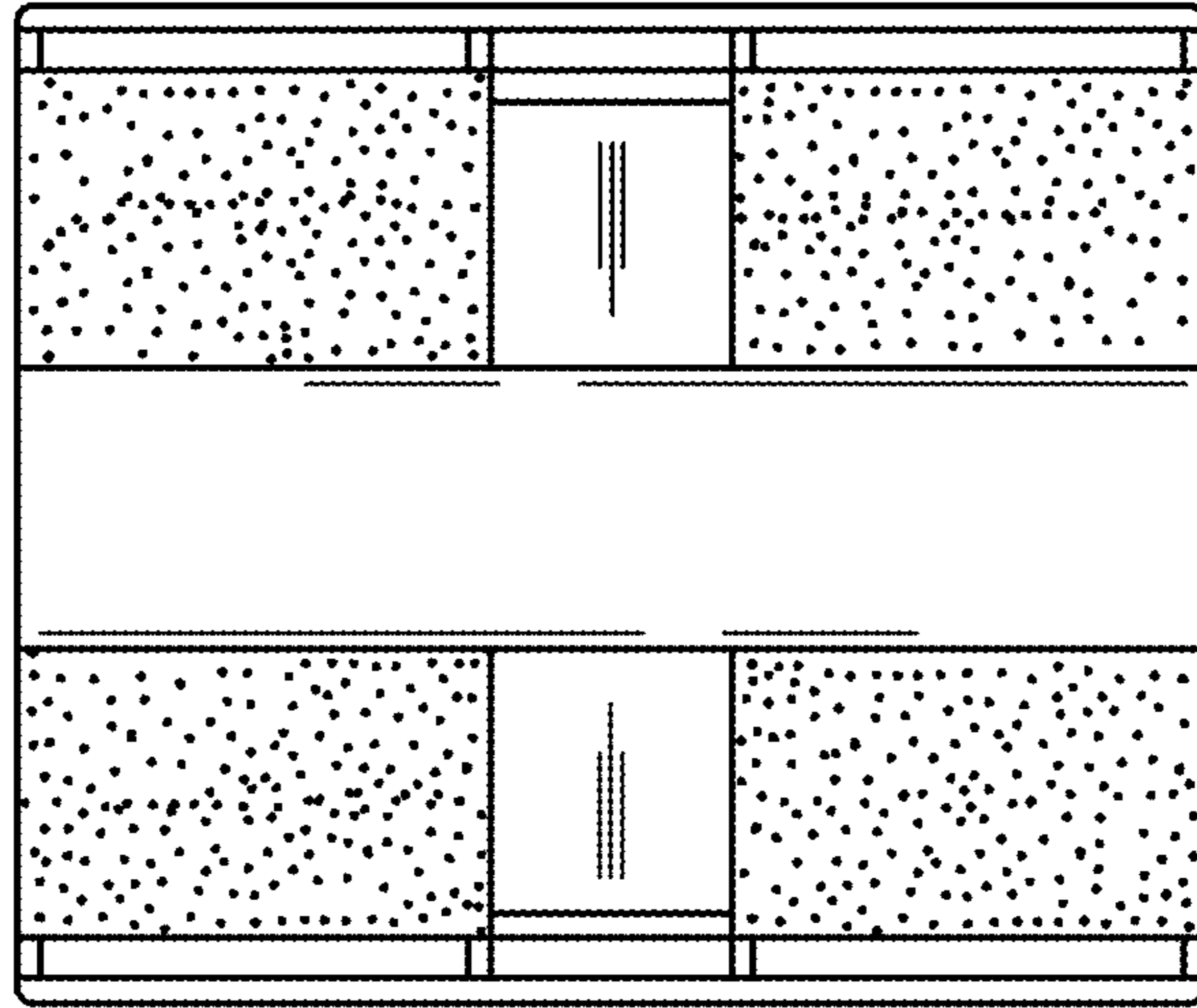


FIG. 5

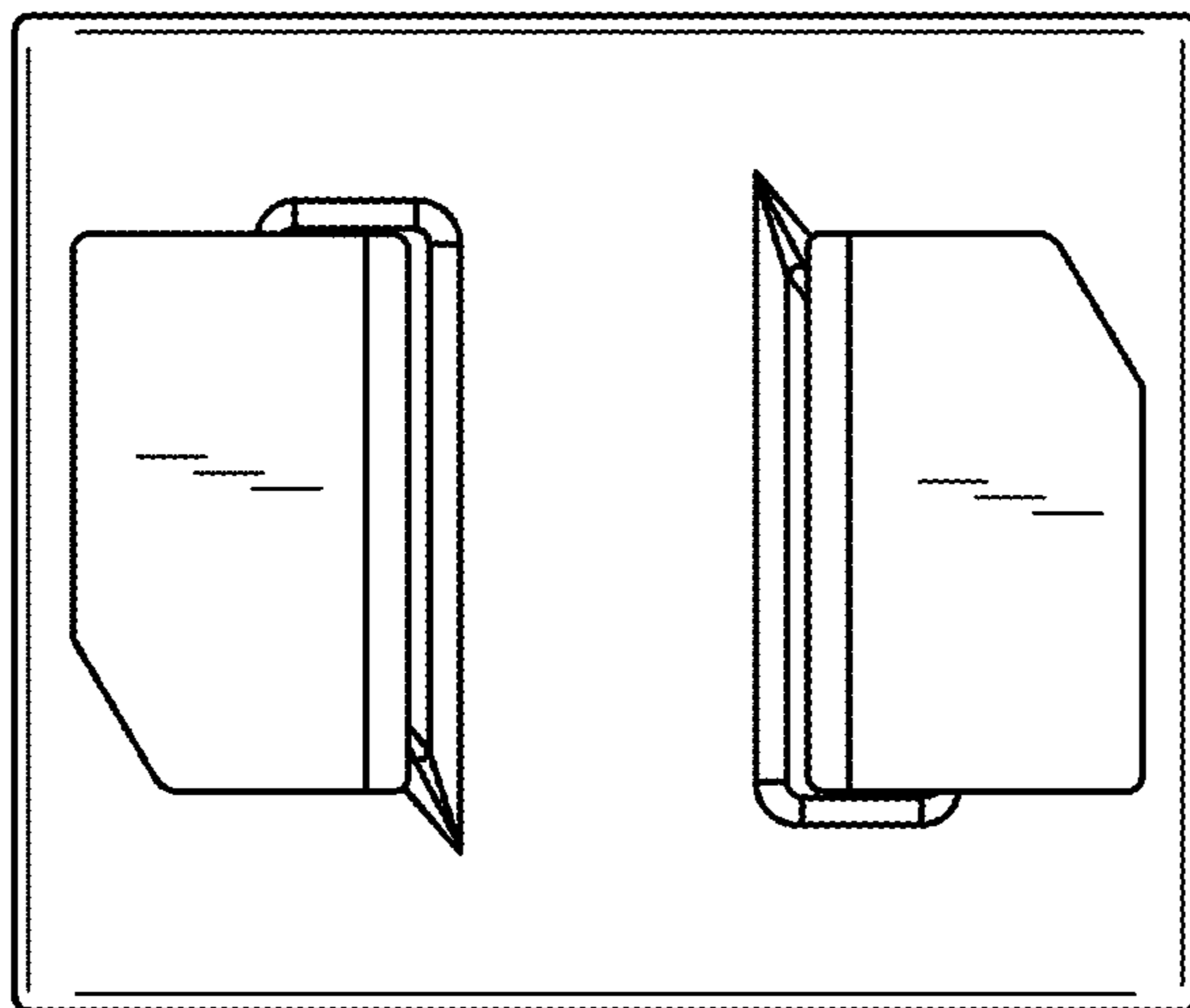


FIG. 6

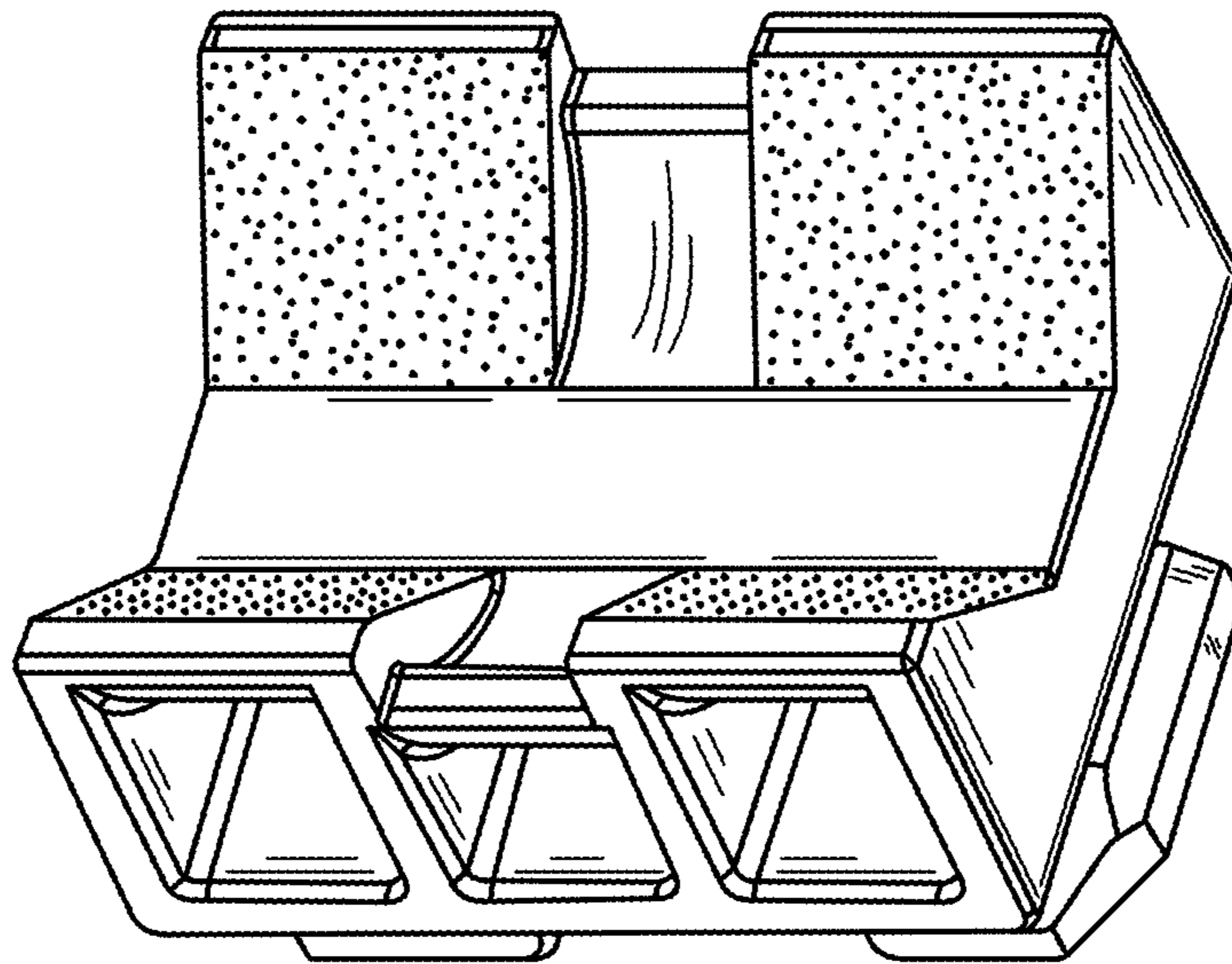


FIG. 7