



US00D810533S

(12) **United States Design Patent** (10) **Patent No.:** **US D810,533 S**
Sanders (45) **Date of Patent:** **** Feb. 20, 2018**

(54) **CORKSCREW**
(71) Applicant: **JOSEPH JOSEPH LTD.**, London (GB)
(72) Inventor: **Mark Sanders**, Dorset (GB)
(73) Assignee: **JOSEPH JOSEPH LTD.**, London (GB)

(**) Term: **15 Years**
(21) Appl. No.: **29/577,072**
(22) Filed: **Sep. 9, 2016**

(30) **Foreign Application Priority Data**
Mar. 11, 2016 (EM) 003024561-0012
(51) **LOC (11) Cl.** **07-06**
(52) **U.S. Cl.**
USPC **D8/42**
(58) **Field of Classification Search**
USPC ... D8/18, 26, 33, 34, 38, 40, 42, 43, 52, 56,
D8/82, 300, 301; D26/37, 38, 42, 46, 47,
D26/49; 7/118, 151-156, 169;
81/3.07-3.49, 3.55, 52, 119-125.1,
81/177.1-177.6, 436, 437, 460;
30/400-443, 450
CPC B67B 1/00; B67B 3/00; B67B 7/00; B67B
7/04; B67B 7/14; B67B 7/16; B67B 7/24;
B67B 7/30; B67B 7/32; B67B 7/34;
B67B 7/36; B67B 7/38; B67B 7/0417;
B67B 7/0429; B67B 7/0441; B25F 1/00
See application file for complete search history.

(56) **References Cited**
U.S. PATENT DOCUMENTS
D389,712 S * 1/1998 Usbeck D8/40
D397,010 S * 8/1998 Usbeck 7/155

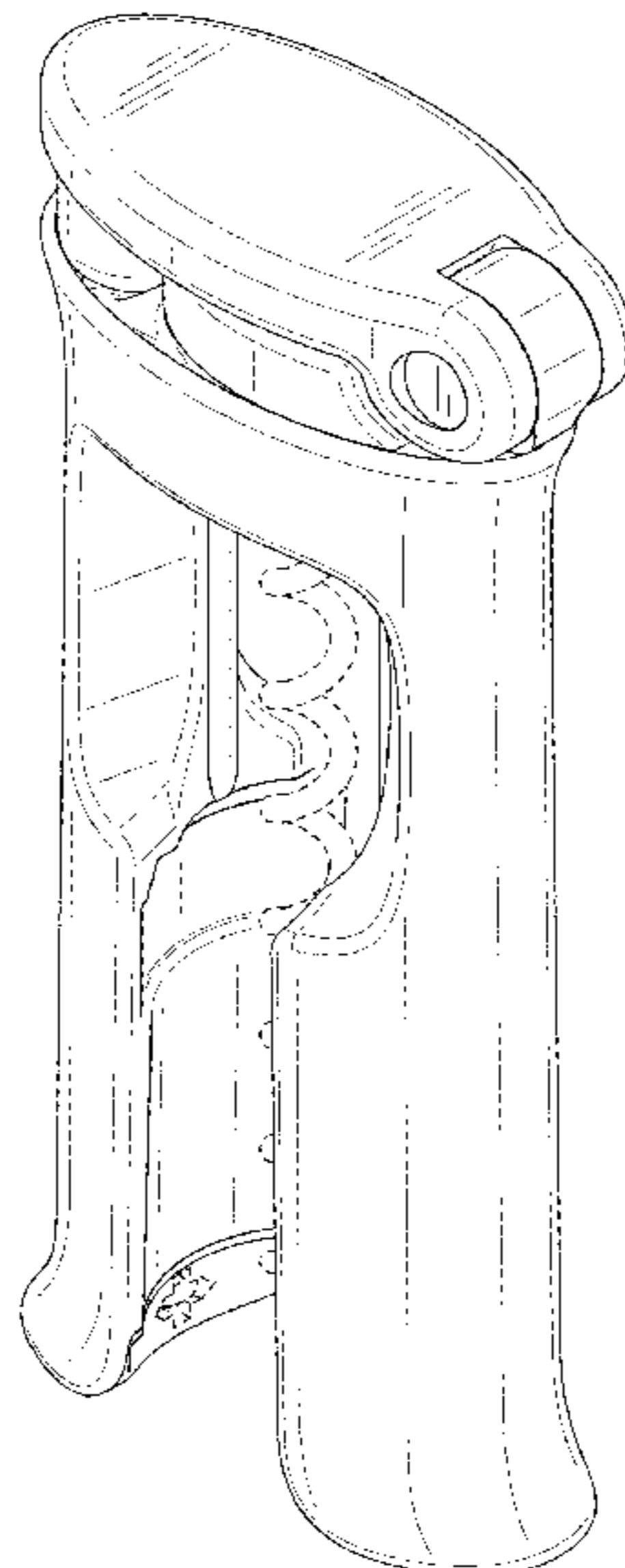
D609,988 S * 2/2010 Eide D8/42
D635,424 S * 4/2011 Morgan D8/42
D660,670 S * 5/2012 Kehoe D8/42
2012/0204683 A1* 8/2012 Nazikian B67B 1/045
81/3.29
2013/0192426 A1* 8/2013 Maufette B67B 7/04
81/3.09
2016/0368749 A1* 12/2016 Kalgroulis B67B 7/0441
* cited by examiner

Primary Examiner — Wan Laymon
Assistant Examiner — Clint A Samuel
(74) *Attorney, Agent, or Firm* — Miller, White, Zelano,
Branigan, P.C.

(57) **CLAIM**
The ornamental design for a corkscrew, as shown and described.

DESCRIPTION
FIG. 1 is a front top perspective view of the corkscrew showing my new design.
FIG. 2 is front bottom perspective view thereof.
FIG. 3 is a side view thereof where the corkscrew is tilted so that the top portion is further away than the bottom portion.
FIG. 4 is side view thereof.
FIG. 5 is another side view thereof.
FIG. 6 is a back view thereof.
FIG. 7 is a front view thereof.
FIG. 8 is top view thereof.
FIG. 9 is a bottom view thereof.
FIG. 10 is a view thereof where the top portion has been extended and placed in an open position; and,
FIG. 11 is a side view thereof where the corkscrew is tilted so that the top portion is further away than the bottom portion and wherein the top portion is in an open position. The broken lines in the drawings illustrate portions of the corkscrew which form no part of the claimed design.

1 Claim, 11 Drawing Sheets



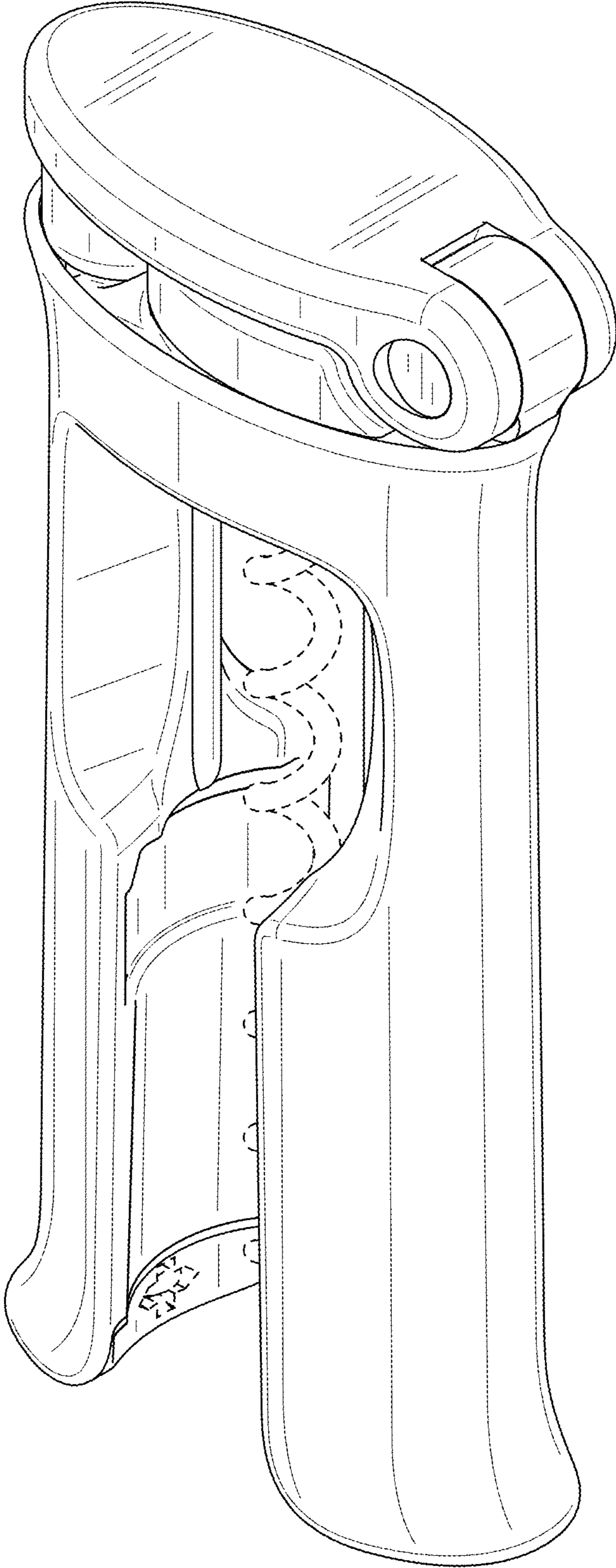


FIG. 1

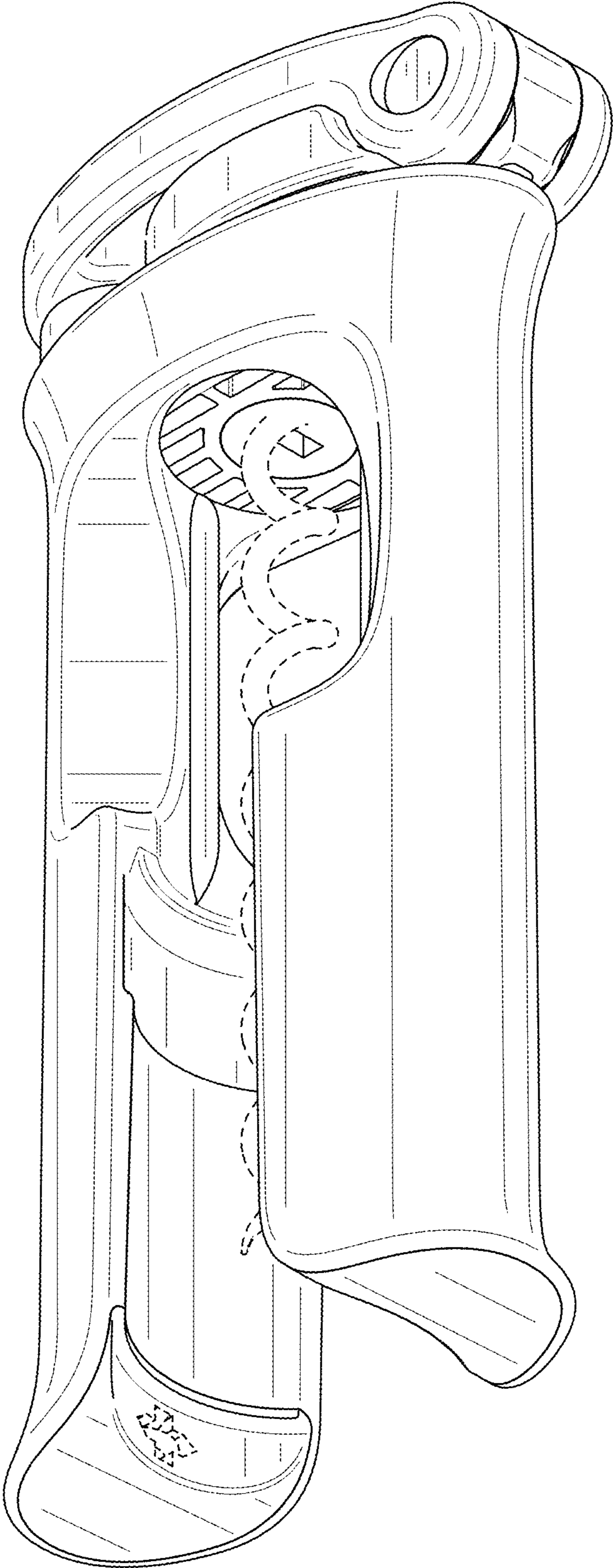


FIG. 2

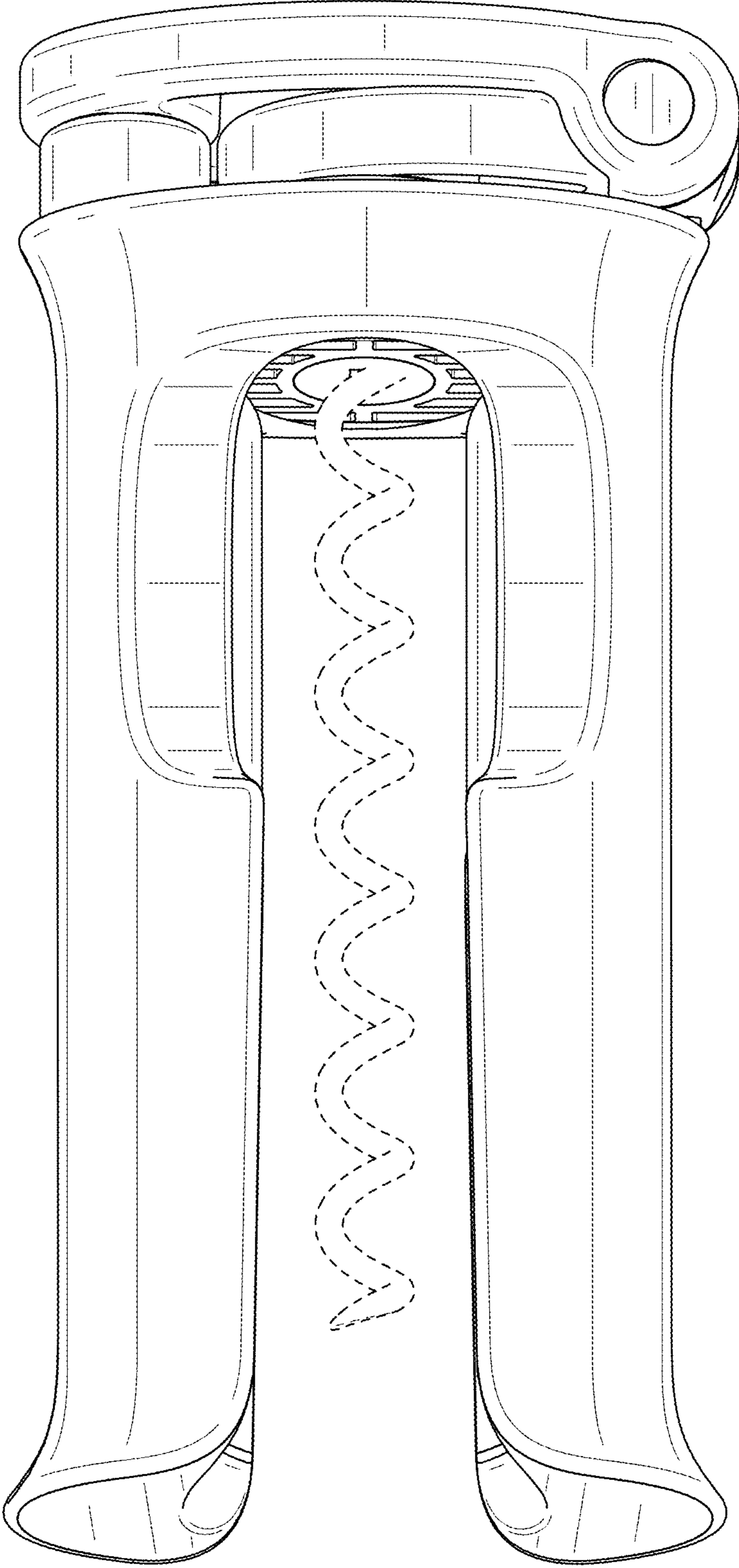


FIG. 3

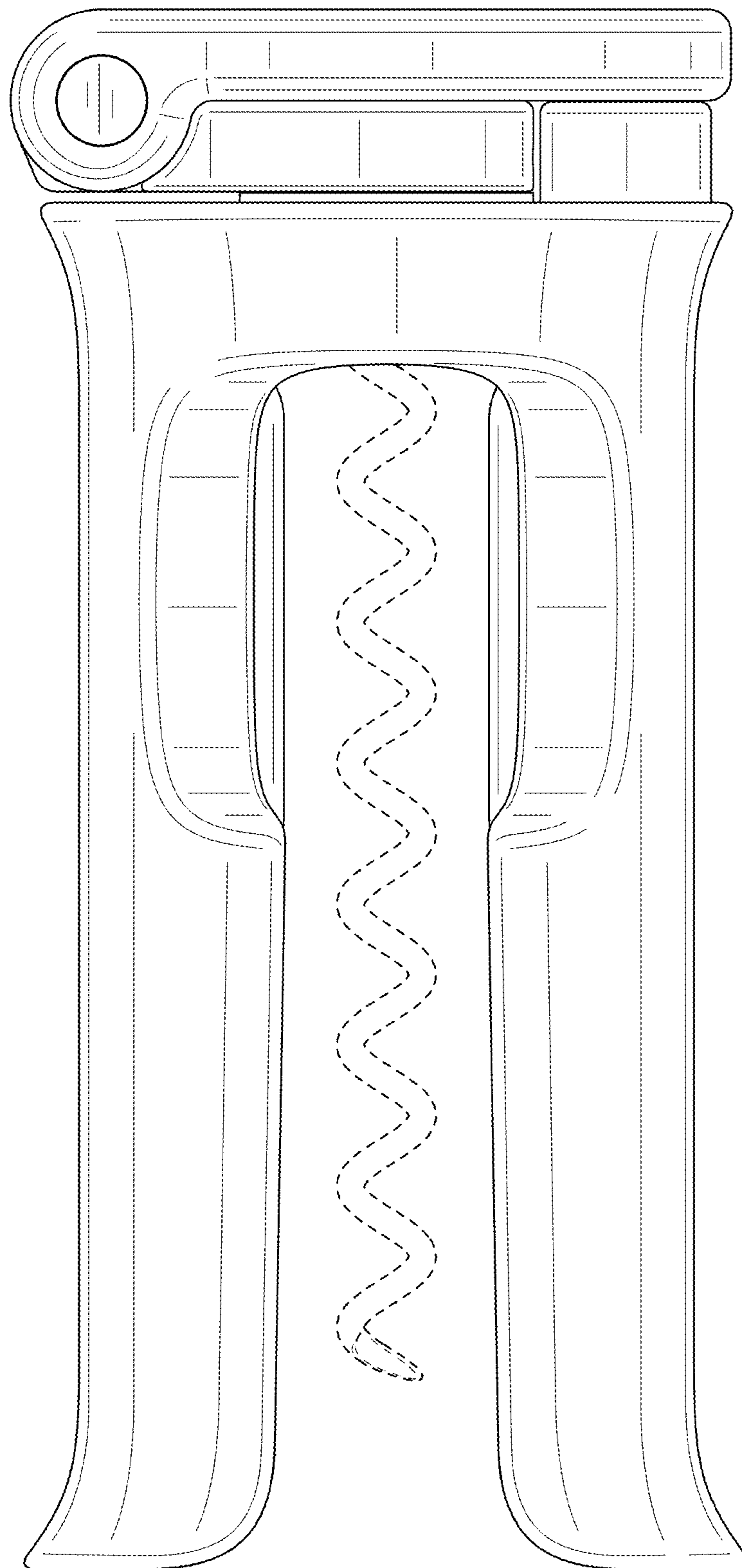


FIG. 4

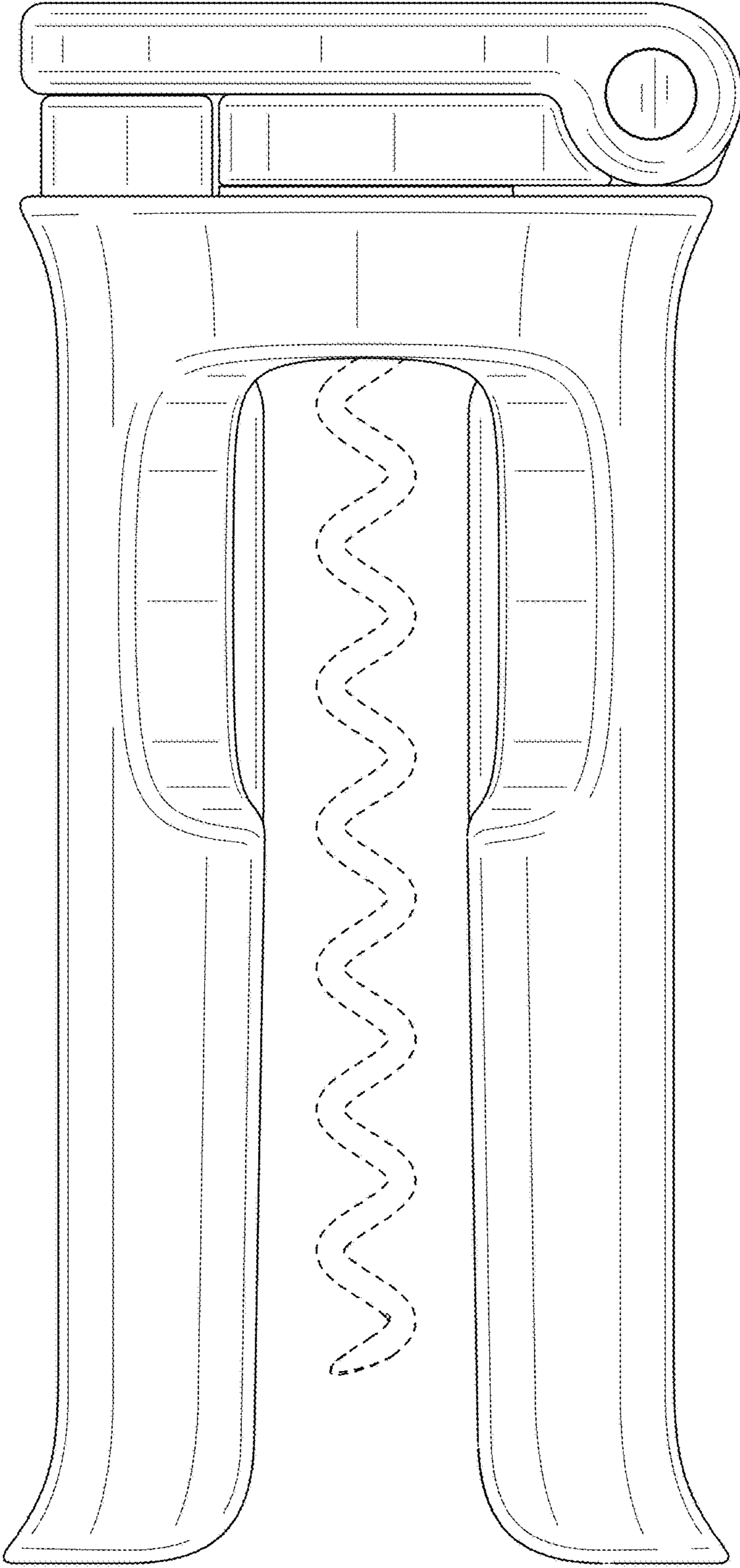


FIG. 5

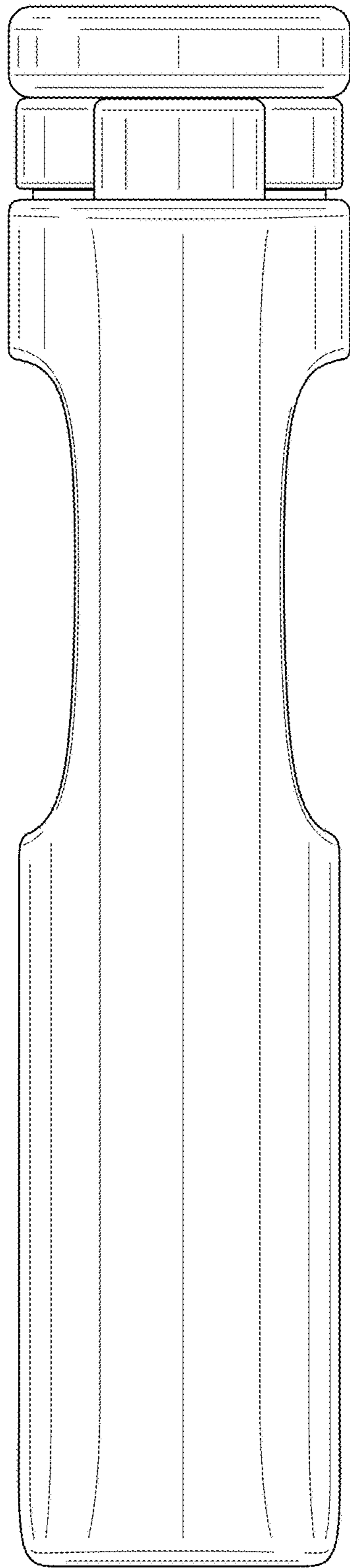


FIG. 6

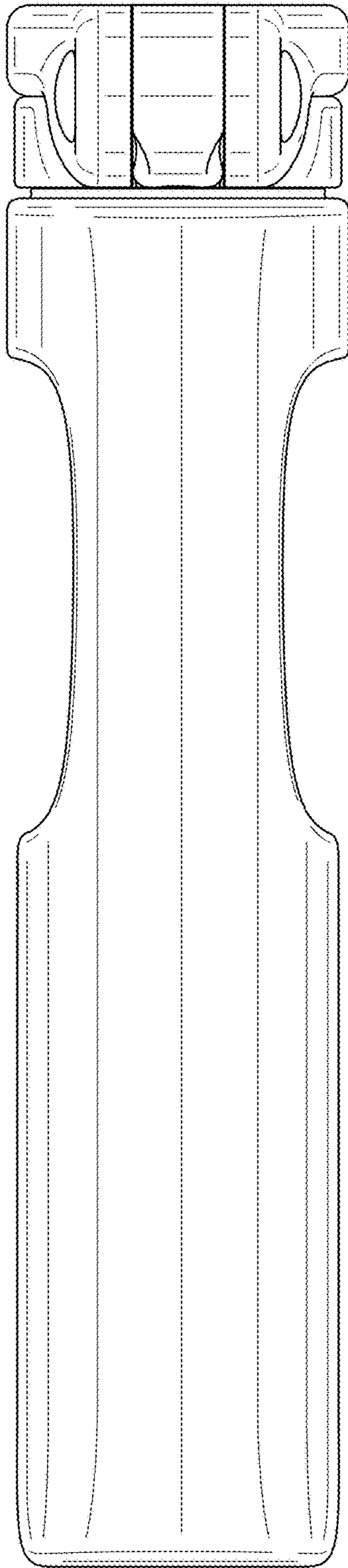


FIG. 7

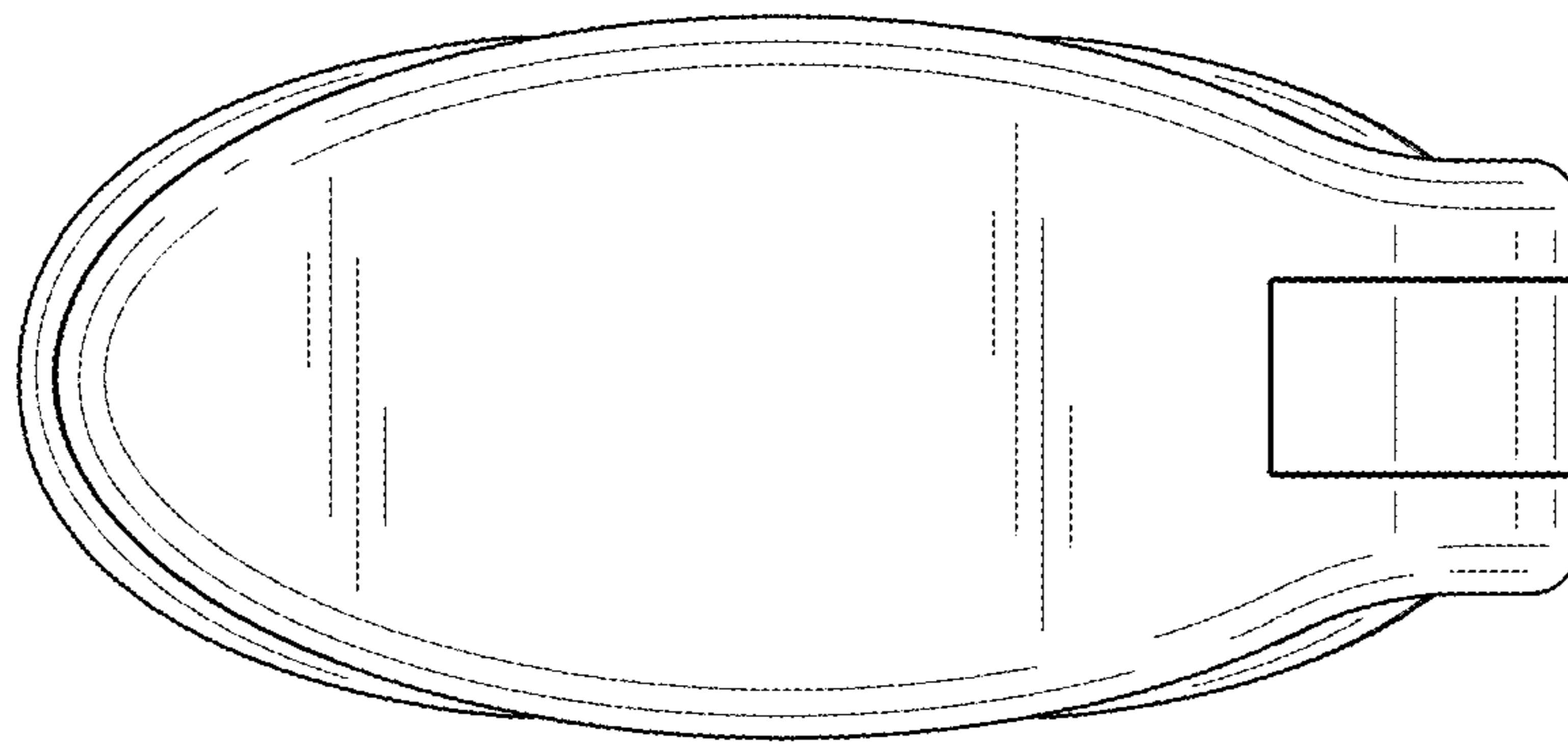


FIG. 8

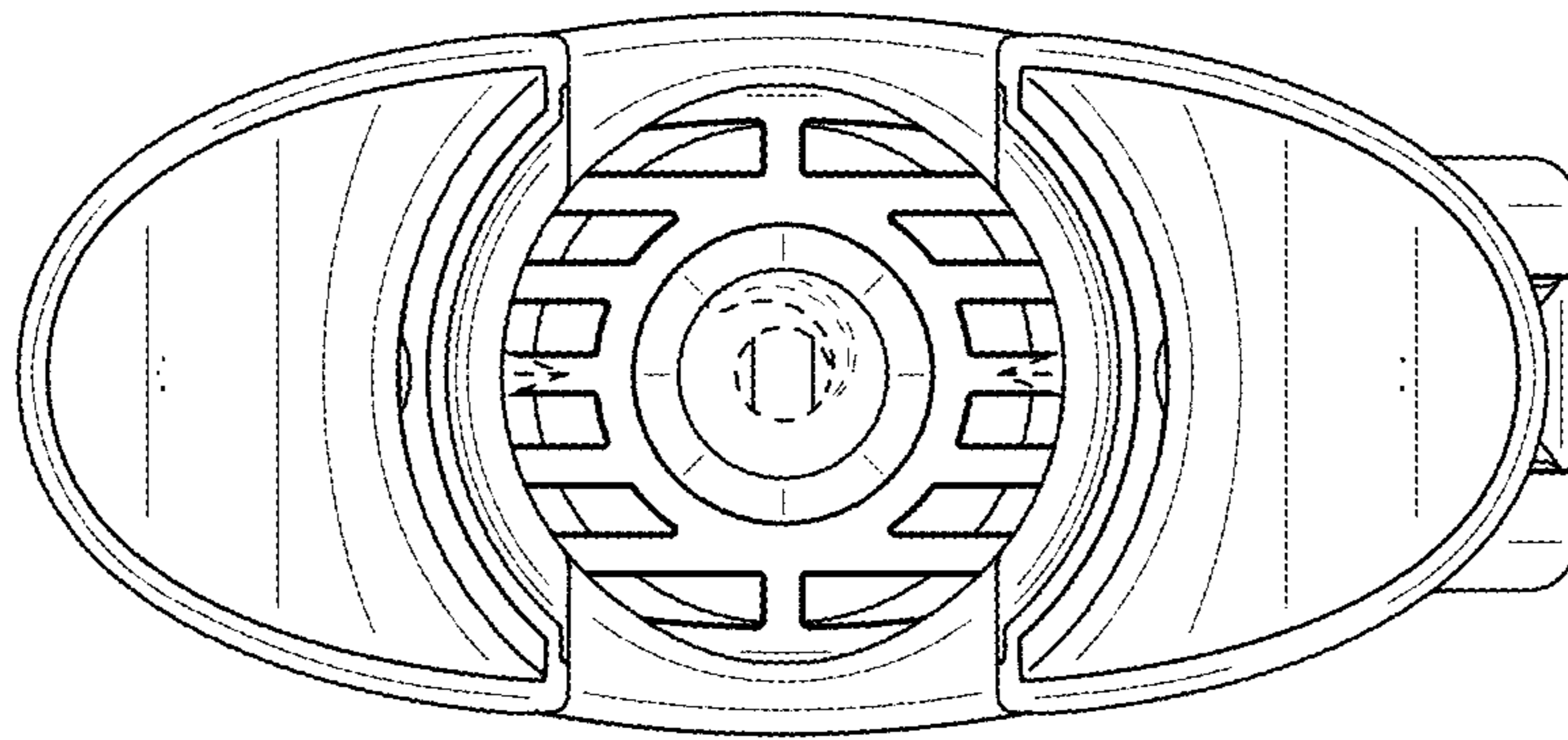


FIG. 9

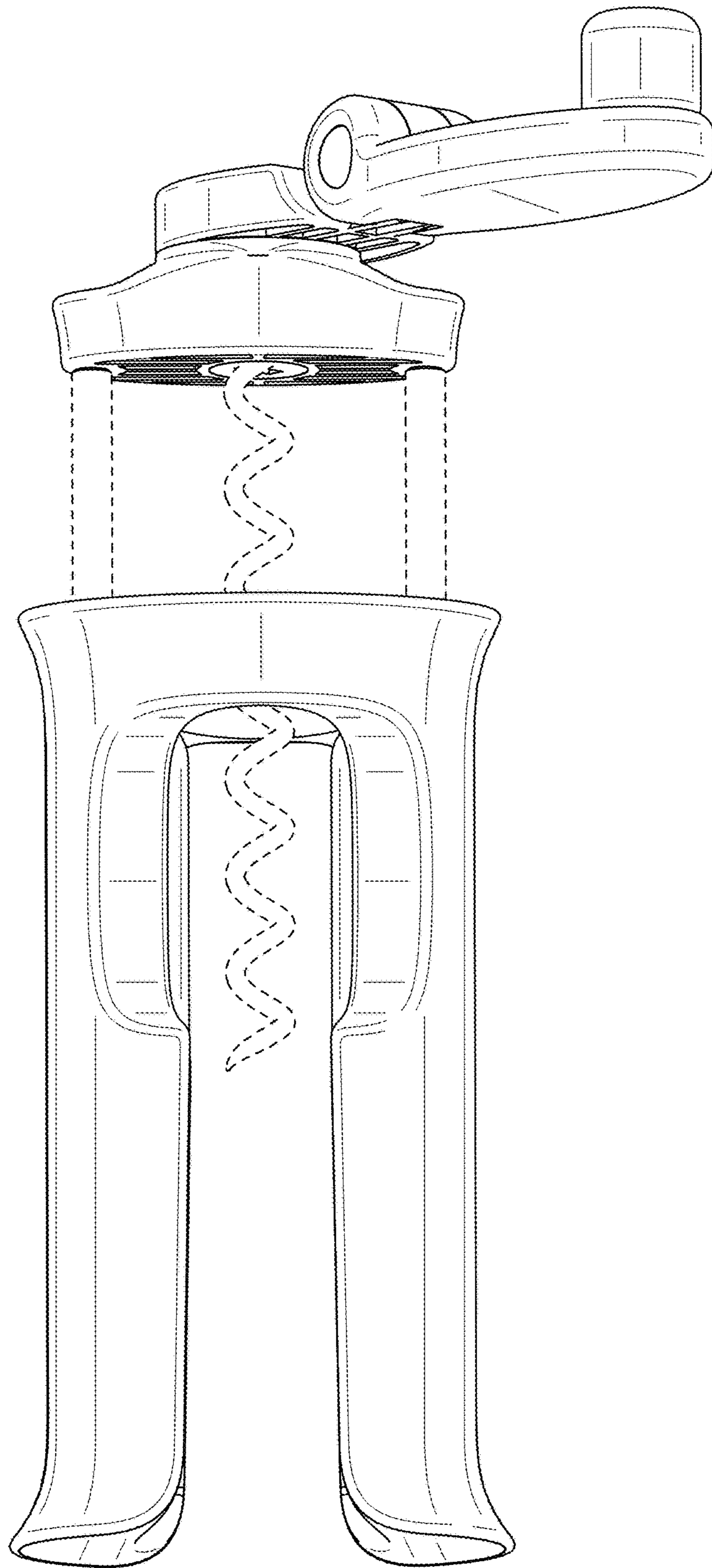


FIG. 10

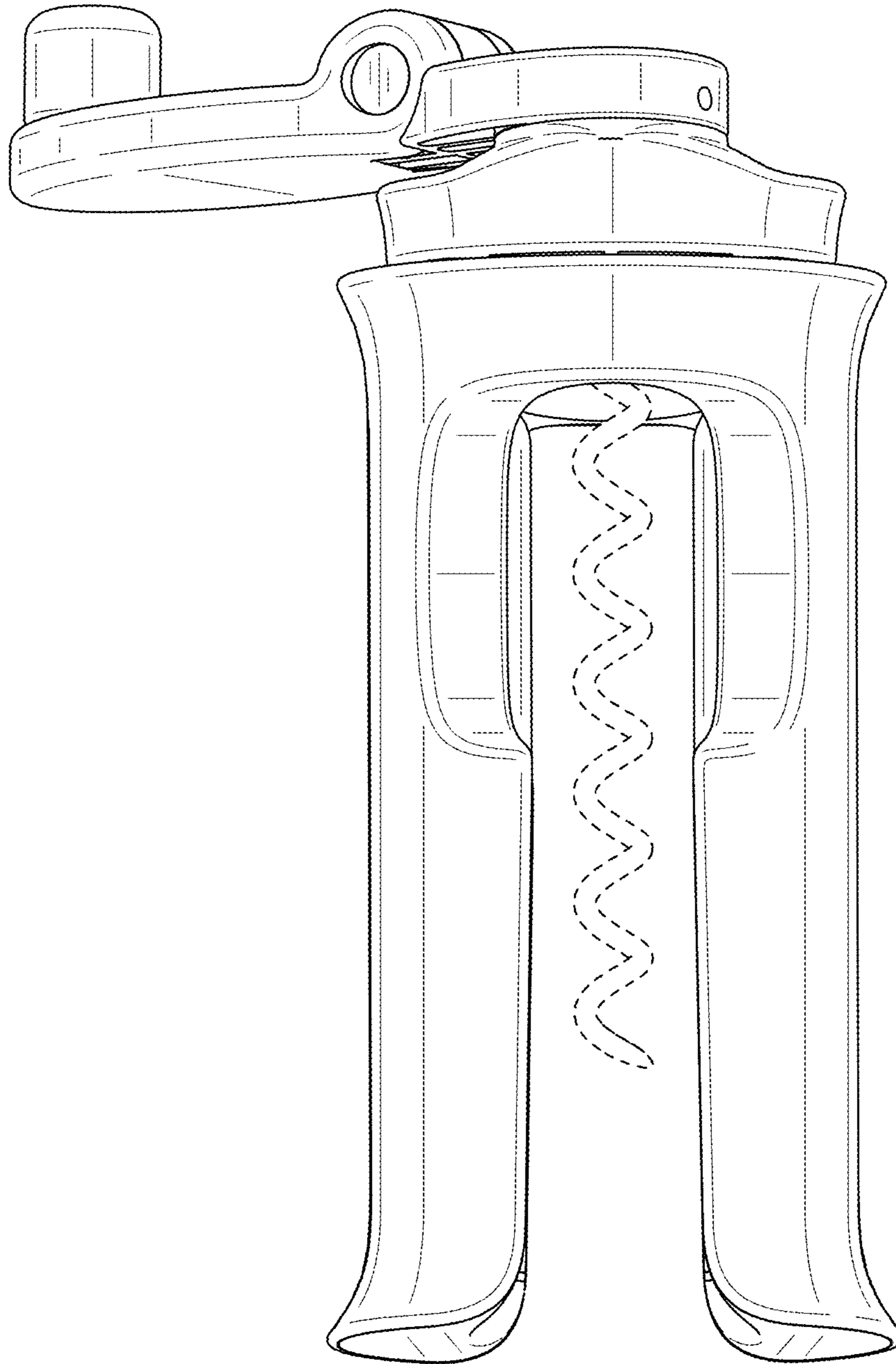


FIG. 11