



US00D810531S

(12) **United States Design Patent**
Feuerstein et al.

(10) **Patent No.:** **US D810,531 S**

(45) **Date of Patent:** **** Feb. 20, 2018**

(54) **SOCKET**

(71) Applicant: **Milwaukee Electric Tool Corporation,**
Brookfield, WI (US)

(72) Inventors: **Jacob Feuerstein,** Milwaukee, WI
(US); **Steven W. Hyma,** Milwaukee,
WI (US)

(73) Assignee: **MILWAUKEE ELECTRIC TOOL**
CORPORATION, Brookfield, WI (US)

(**) Term: **15 Years**

(21) Appl. No.: **29/575,740**

(22) Filed: **Aug. 29, 2016**

(51) **LOC (11) Cl.** **08-05**

(52) **U.S. Cl.**
USPC **D8/29**

(58) **Field of Classification Search**
USPC D8/29; 81/60, 177.1, 177.85, 121.1,
81/124.3, 165-170, 110.1, 176.2, 124.6,
81/176.1, 176.15, 177.2, 186; 16/110.1
CPC B25B 13/06; B25B 13/065
See application file for complete search history.

(56) **References Cited**

U.S. PATENT DOCUMENTS

838,109 A	12/1906	Hanes
D59,417 S	10/1921	Graham
D108,143 S	1/1938	Mandl
D142,054 S	8/1945	Young
2,895,362 A	7/1959	Jamgotchian
3,651,720 A	3/1972	Indyk
4,004,476 A	1/1977	Devrou
D246,415 S	11/1977	Critcher
D264,300 S	5/1982	Imm
4,328,720 A	5/1982	Shiel
D274,881 S	7/1984	Wilsey
D275,443 S	9/1984	Snaper

4,489,628 A	12/1984	Nicastro
4,607,547 A	8/1986	Martus
4,699,029 A	10/1987	Kelly
D299,613 S	1/1989	Laurie
4,798,111 A	1/1989	Cheeseman
4,800,786 A	1/1989	Arnold
4,817,475 A	4/1989	Kelly
4,825,732 A	5/1989	Arnold
D303,342 S	9/1989	Katz
4,882,958 A	11/1989	McNeeley
4,947,713 A	8/1990	Arnold
4,969,231 A	11/1990	Mader
4,970,917 A	11/1990	McCollom

(Continued)

FOREIGN PATENT DOCUMENTS

CN	204686733 U	10/2015
DE	19541786 B4	8/2004

(Continued)

Primary Examiner — Randall H Gholson

(74) *Attorney, Agent, or Firm* — Michael Best &
Friedrich LLP

(57) **CLAIM**

We claim the ornamental design for a socket, as shown and described.

DESCRIPTION

FIG. 1 is a perspective view of a socket embodying the invention;

FIG. 2 is a front view of the socket of FIG. 1;

FIG. 3 is a left side view of the socket of FIG. 1;

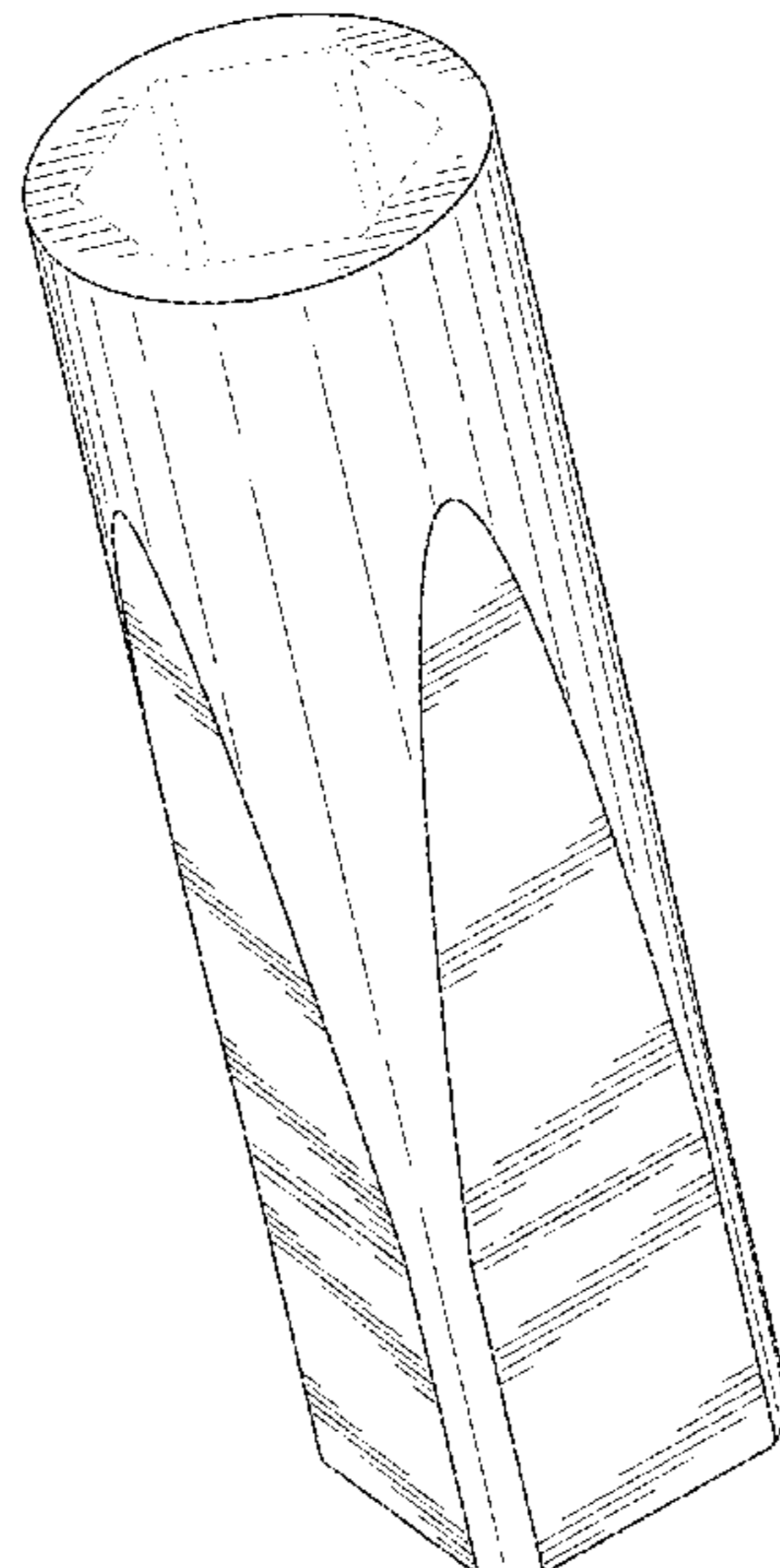
FIG. 4 is a top view of the socket of FIG. 1; and,

FIG. 5 is a bottom view of the socket of FIG. 1.

The elements shown in broken lines are included for the purpose of illustrating environment and form no part of the claimed design.

Sockets as illustrated in the figures are used with ratchet wrenches to loosen or tighten nuts and bolts.

1 Claim, 3 Drawing Sheets



(56)

References Cited

U.S. PATENT DOCUMENTS

4,982,627 A 1/1991 Johnson
 5,009,133 A 4/1991 Carey
 5,031,488 A 7/1991 Zumeta
 D318,997 S 8/1991 Baker
 D319,562 S 9/1991 Ballard
 5,048,379 A 9/1991 Gramera
 5,079,978 A 1/1992 Kupfer
 D349,025 S 7/1994 Romero
 D353,756 S 12/1994 Graves
 5,421,224 A 6/1995 Bond
 5,551,320 A 9/1996 Horobec
 D381,247 S 7/1997 Zayat
 5,664,467 A 9/1997 Breeze
 D385,166 S 10/1997 Mundon
 D390,432 S 2/1998 Shaffer
 5,724,872 A 3/1998 Shih
 5,782,148 A 7/1998 Kerkhoven
 D397,598 S 9/1998 Falk
 D398,823 S 9/1998 Hsieh
 5,819,606 A 10/1998 Arnold
 D402,517 S 12/1998 Gracia
 5,901,620 A 5/1999 Arnold
 D410,367 S 6/1999 Applegate
 5,943,924 A 8/1999 Jarvis
 5,957,012 A 9/1999 McCune
 5,960,682 A 10/1999 Yamashita
 6,047,618 A 4/2000 Pieri
 D425,385 S 5/2000 Jarvis
 D425,770 S 5/2000 Hsieh
 D426,130 S 6/2000 Boukhny
 6,178,854 B1 1/2001 Shih
 D437,537 S 2/2001 Carter, Jr.
 D438,767 S 3/2001 Luxon
 D442,837 S 5/2001 Porras
 6,282,994 B1 9/2001 Wei
 6,321,625 B1 11/2001 Fernandez

6,397,706 B1 6/2002 Maznicki
 D459,961 S 7/2002 Carroll
 D464,545 S 10/2002 Marty
 D466,766 S 12/2002 Marty
 D477,198 S * 7/2003 Staton D8/29
 6,626,067 B1 9/2003 Iwinski
 D489,589 S 5/2004 Wiljanen
 6,761,093 B2 7/2004 Chang
 6,951,156 B2 10/2005 Garg
 D521,826 S * 5/2006 Hsieh D8/29
 7,036,401 B2 5/2006 Carroll
 D550,049 S 9/2007 Peng
 D552,442 S 10/2007 Hutchings
 D567,605 S * 4/2008 Yu D8/29
 D583,656 S * 12/2008 Bush D8/397
 D584,118 S 1/2009 Halstead
 D611,789 S * 3/2010 Taylor, Jr. D8/29
 D630,920 S 1/2011 Smith
 D632,148 S * 2/2011 Li D8/29
 D632,149 S 2/2011 Li
 8,205,529 B1 6/2012 Laurie
 8,528,450 B2 9/2013 Lan
 D750,457 S * 3/2016 Li D8/29
 D755,028 S * 5/2016 Yu D8/29
 D761,630 S 7/2016 Li
 2003/0126960 A1 7/2003 Chen
 2005/0098001 A1 5/2005 Walker
 2008/0121073 A1 5/2008 Williams

FOREIGN PATENT DOCUMENTS

EP 0165237 B1 9/1991
 EP 0955129 B1 3/2002
 EP 0934140 B1 7/2002
 EP 0976502 B1 7/2002
 EP 0939686 B1 8/2002
 GB 2275637 B 3/1996

* cited by examiner

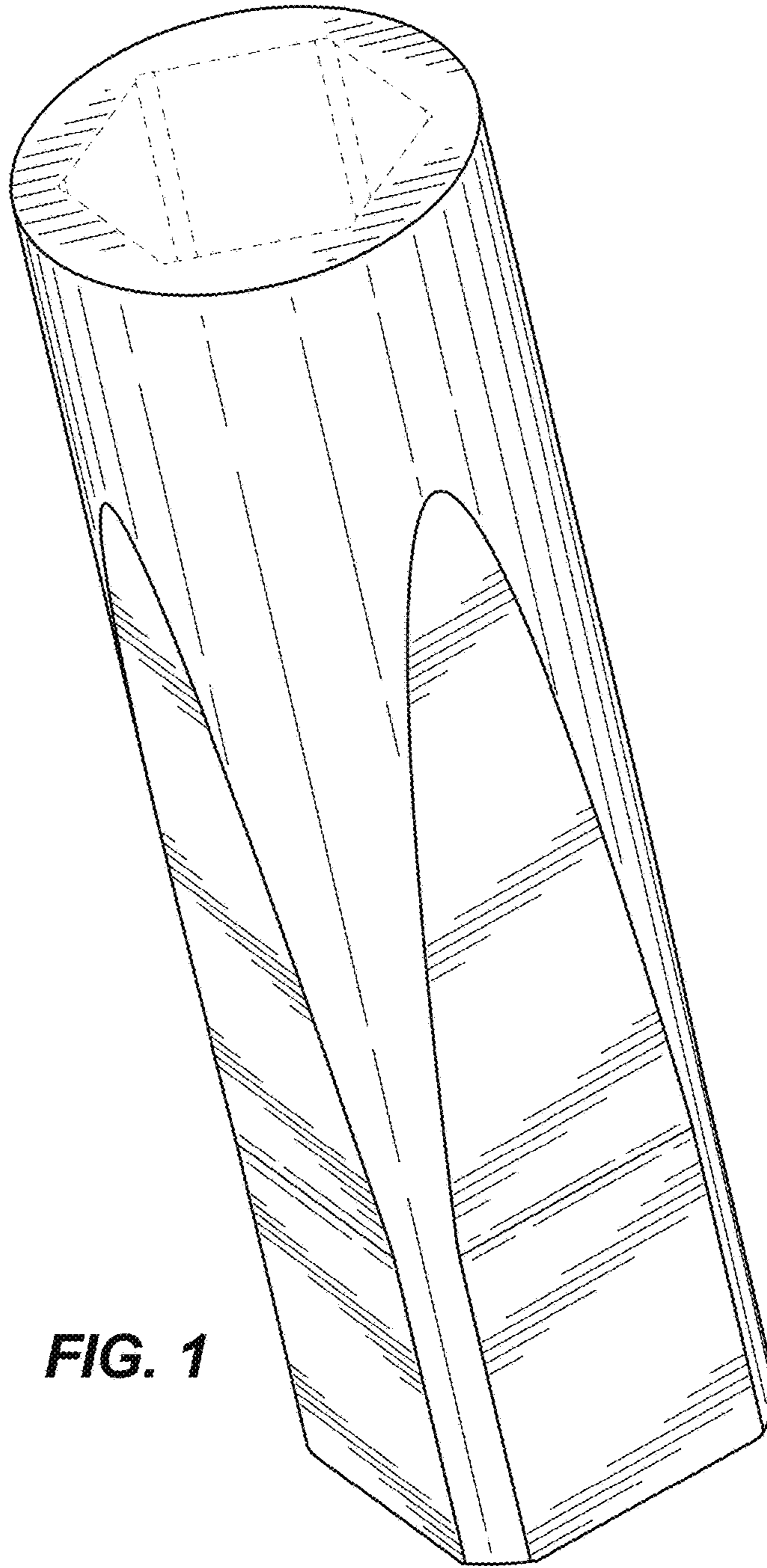


FIG. 1

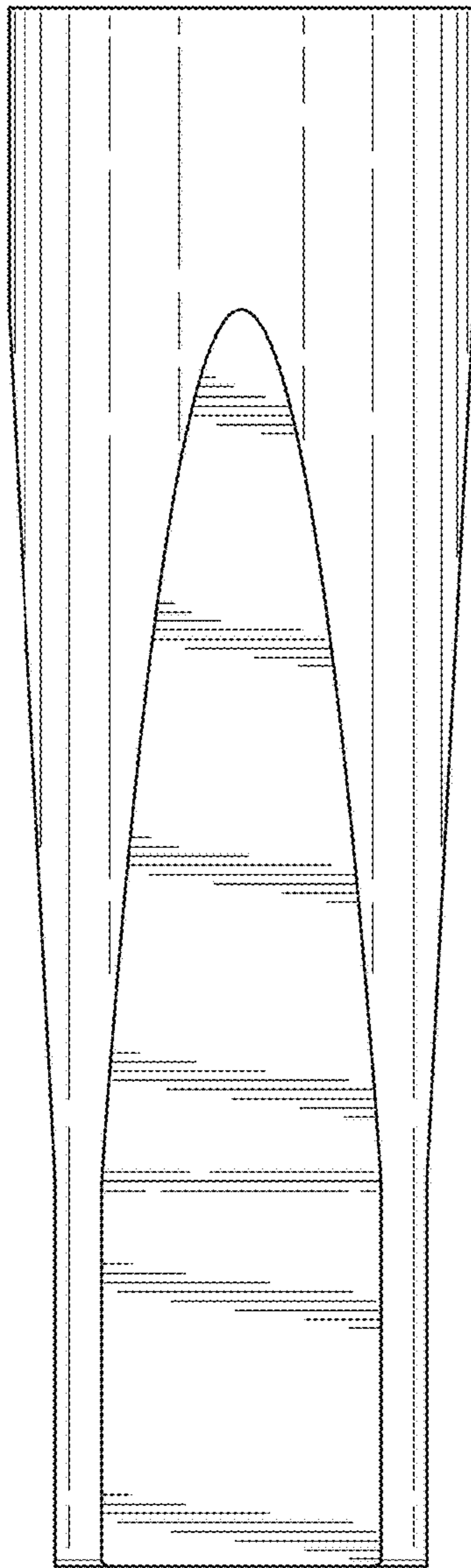


FIG. 2

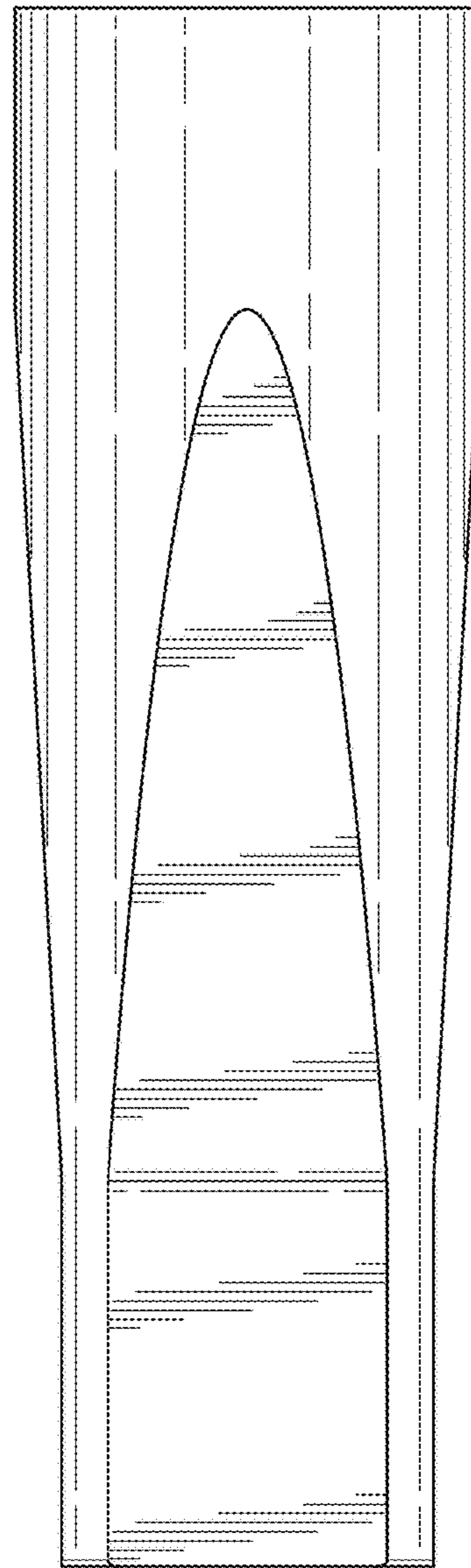


FIG. 3

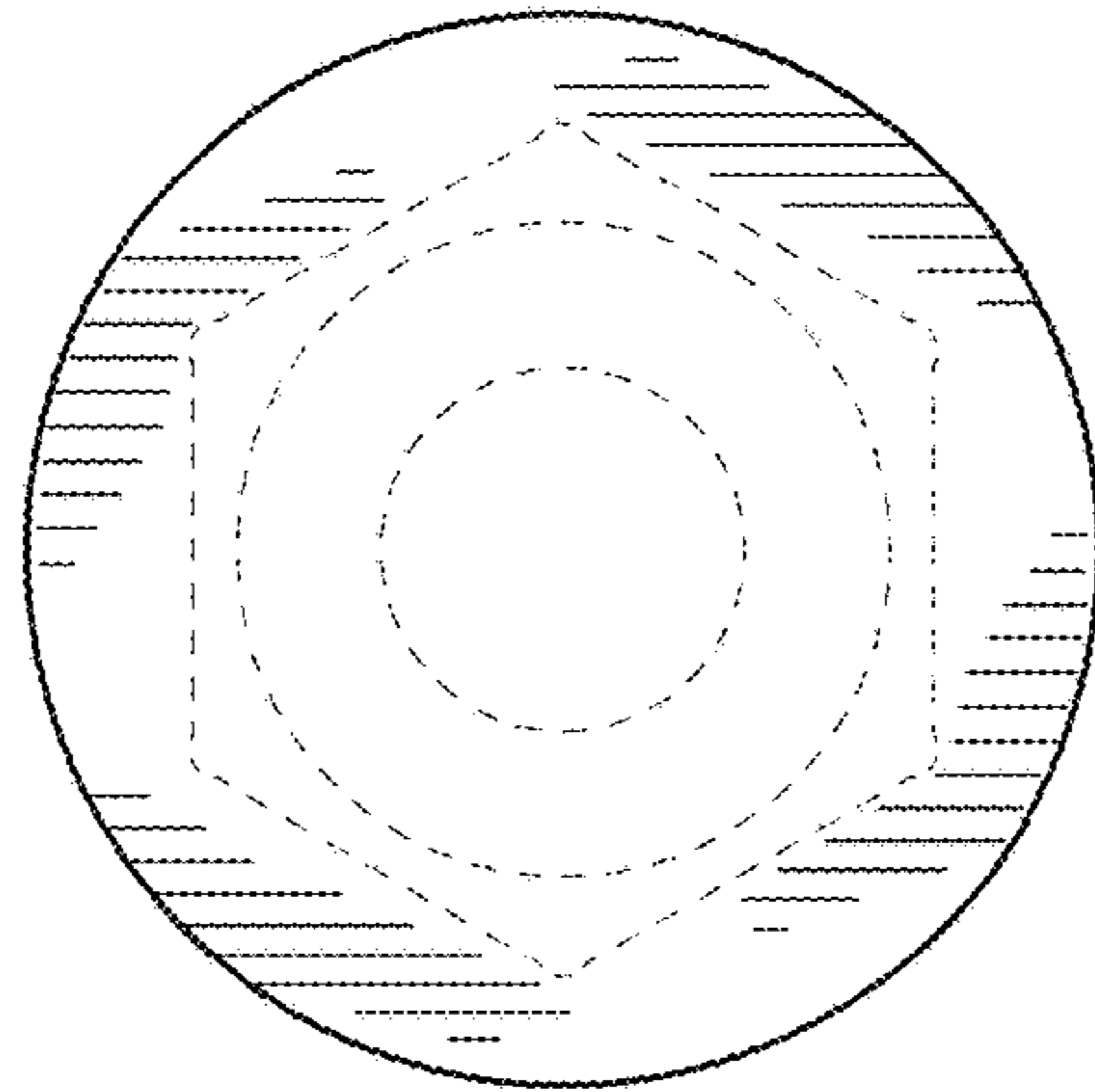


FIG. 4

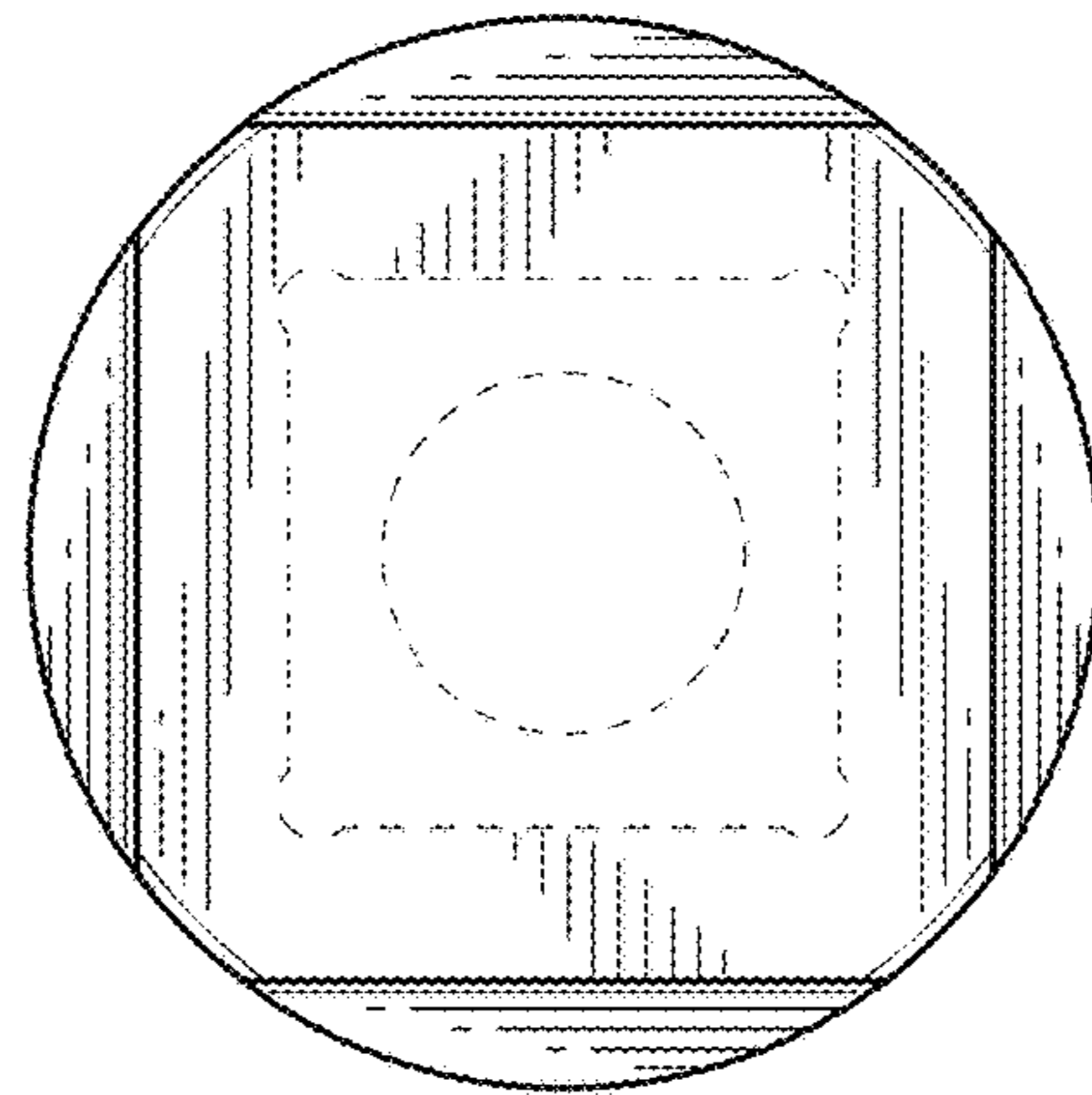


FIG. 5