



US00D810530S

(12) **United States Design Patent**
Siegel

(10) **Patent No.:** **US D810,530 S**

(45) **Date of Patent:** **** Feb. 20, 2018**

(54) **FOLDING WRENCH**

D699,087 S * 2/2014 Yates D8/28

(71) Applicant: **HORIZON GLOBAL AMERICAS INC.**, Plymouth, MI (US)

* cited by examiner

Primary Examiner — Randall Gholson

(72) Inventor: **Theodore Joseph Siegel**, Mayfield Heights, OH (US)

(74) *Attorney, Agent, or Firm* — McDonald Hopkins LLC

(73) Assignee: **Horizon Global Americas Inc.**, Plymouth, MI (US)

(57) **CLAIM**

The ornamental design for a folding wrench, as shown and described.

(**) Term: **15 Years**

DESCRIPTION

(21) Appl. No.: **29/585,589**

FIG. 1 is a perspective view of a folding wrench showing my new design in a collapse configuration;

(22) Filed: **Nov. 28, 2016**

FIG. 2 is a first side view of FIG. 1 thereof;

(51) **LOC (11) Cl.** **08-05**

FIG. 3 is a second side view of FIG. 1 thereof;

(52) **U.S. Cl.**
USPC **D8/28**

FIG. 4 is a top side view of FIG. 1 thereof;

(58) **Field of Classification Search**
USPC D8/17, 21–29, 105; 81/58, 58.2, 119,
81/124.2, 124.4, 125.1, 186; 16/110.1;
D15/144.1; 219/75, 227

FIG. 5 is a bottom side view of FIG. 1 thereof;

CPC B25B 13/02; B25B 13/08; B25B 13/04;
B25B 13/065

FIG. 6 is a front view of FIG. 1 thereof;

See application file for complete search history.

FIG. 7 is a back view of FIG. 1 thereof;

FIG. 8 is a perspective view of the folding wrench in the expanded configuration;

(56) **References Cited**

U.S. PATENT DOCUMENTS

D446,708 S * 8/2001 Rivera D8/105
D544,329 S * 6/2007 Tansbo D8/105
D650,257 S * 12/2011 Royes D8/105

FIG. 9 is a first side view of FIG. 8 thereof;

FIG. 10 is a second side view of FIG. 8 thereof;

FIG. 11 is a top side view of FIG. 8 thereof;

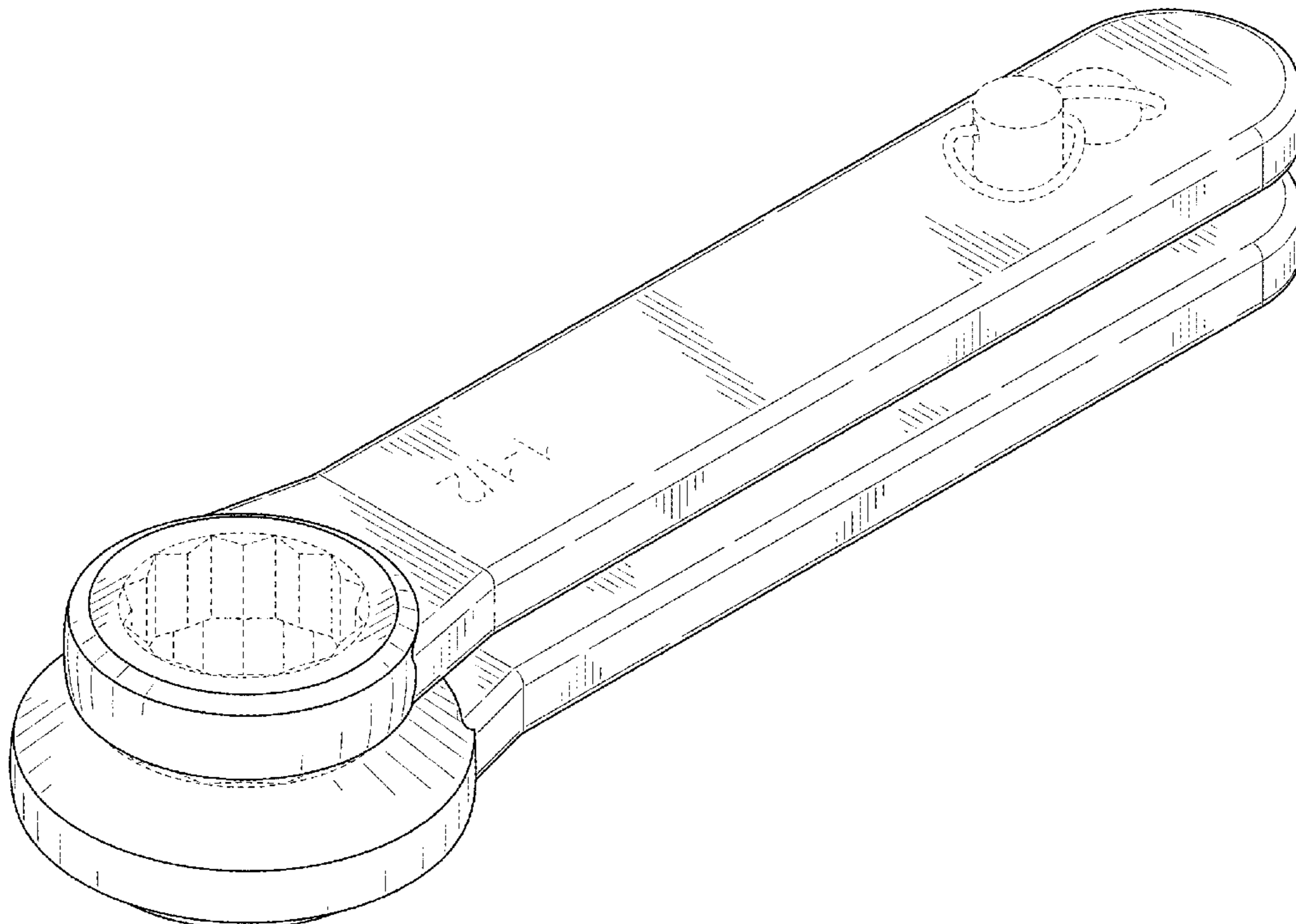
FIG. 12 is a bottom side view of FIG. 8 thereof;

FIG. 13 is a front view of FIG. 8 thereof; and,

FIG. 14 is a back view of FIG. 8 thereof.

The broken lines in the figures are included for the purpose of illustrating portions of a folding wrench and form no part of the claimed design.

1 Claim, 7 Drawing Sheets



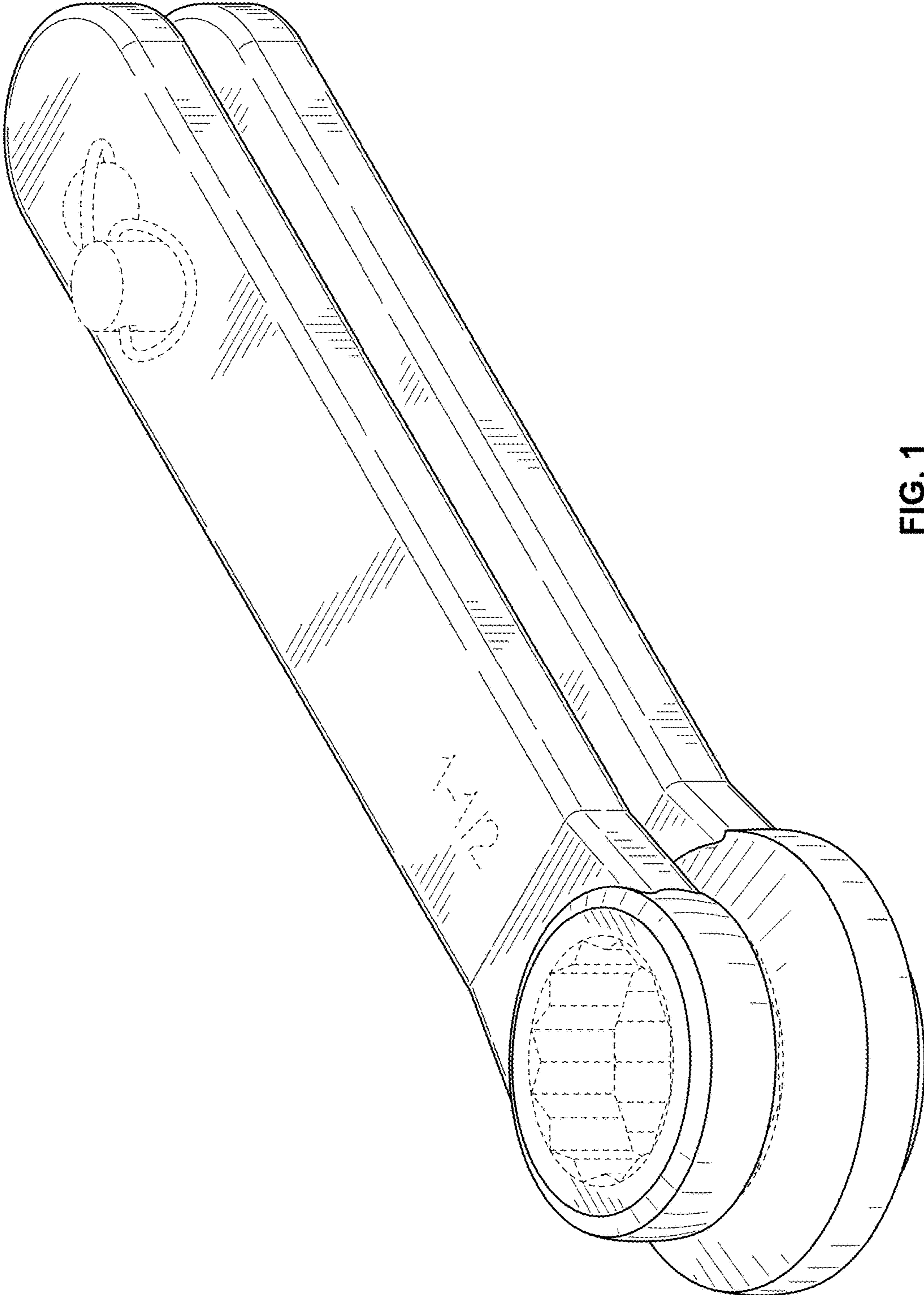


FIG. 1

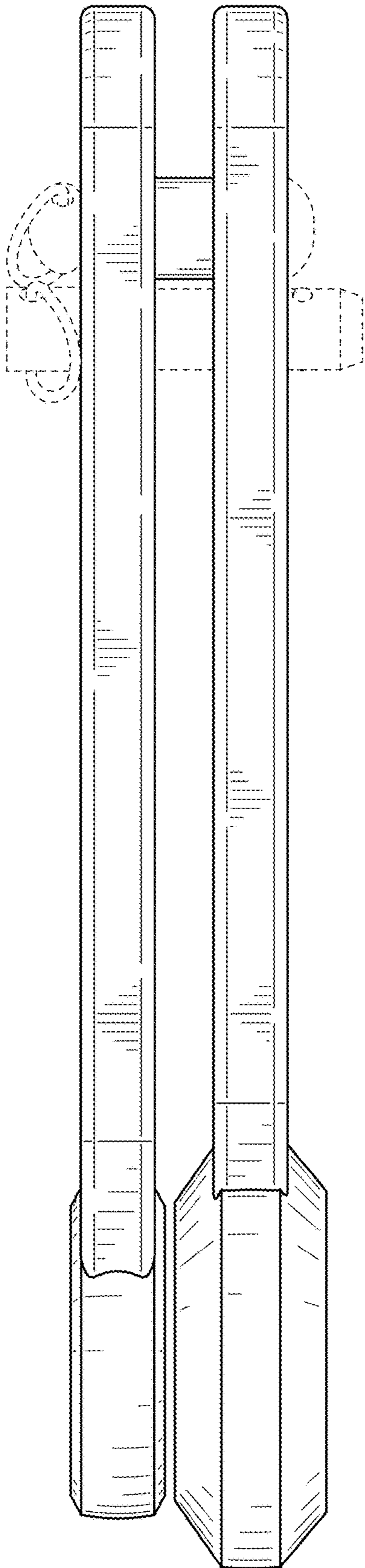


FIG. 2

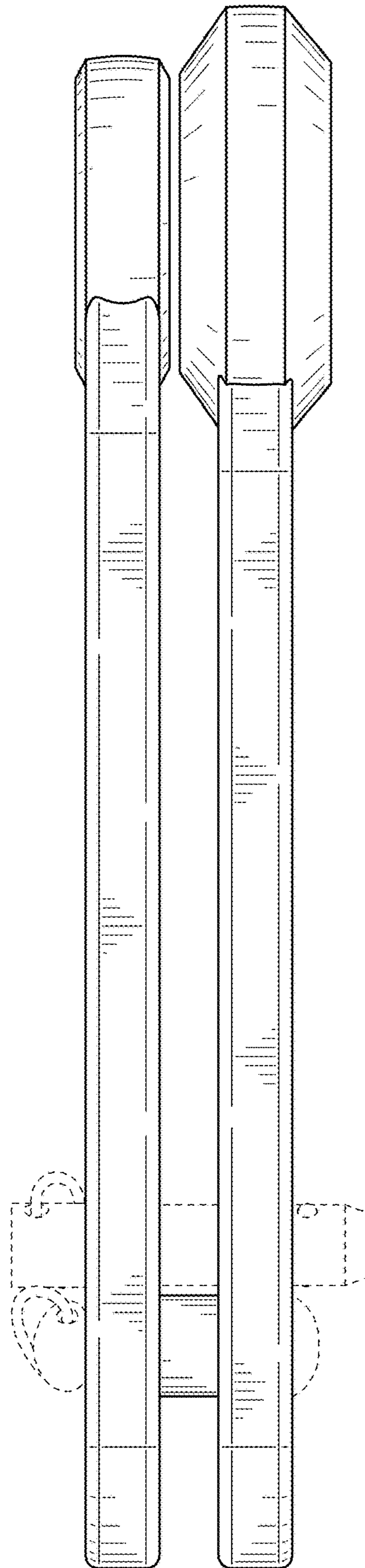


FIG. 3

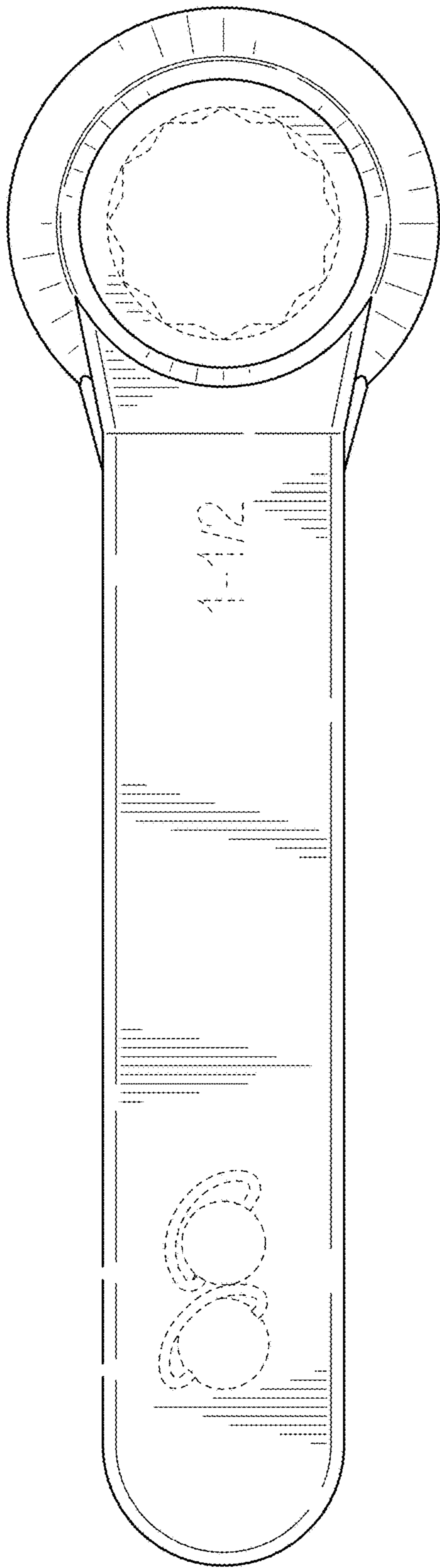


FIG. 4

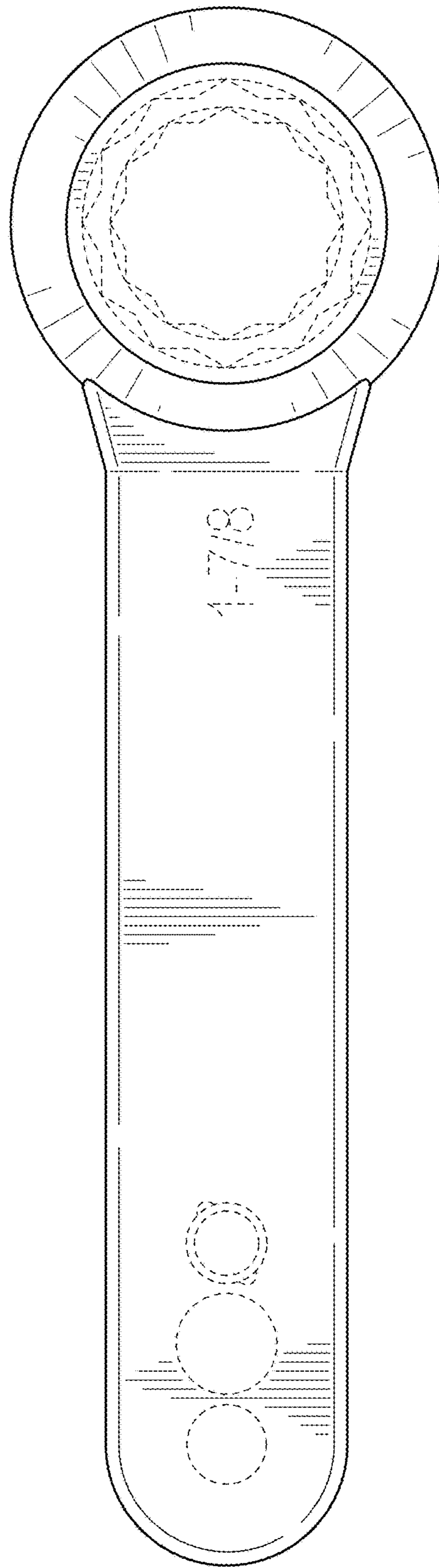


FIG. 5

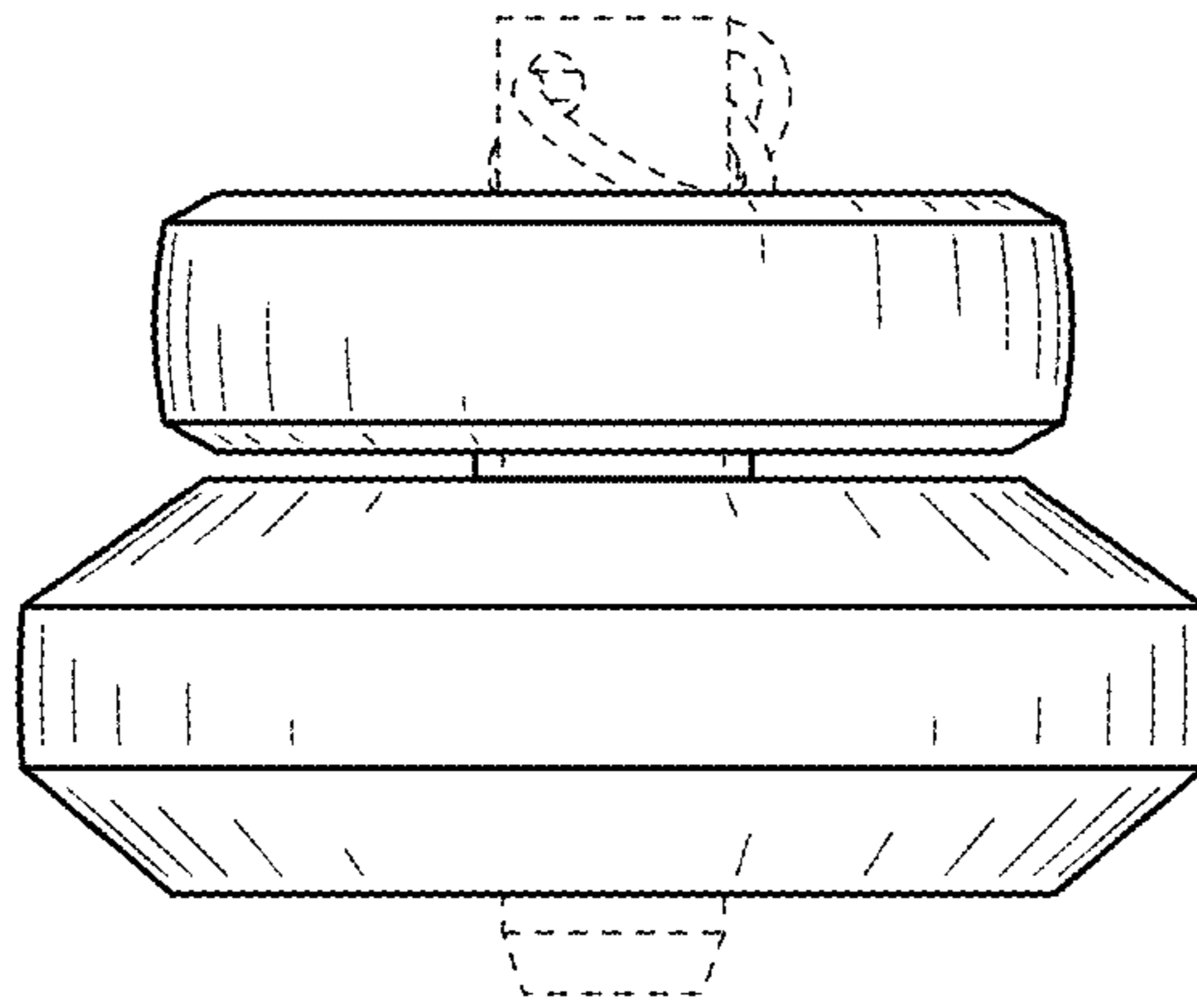


FIG. 6

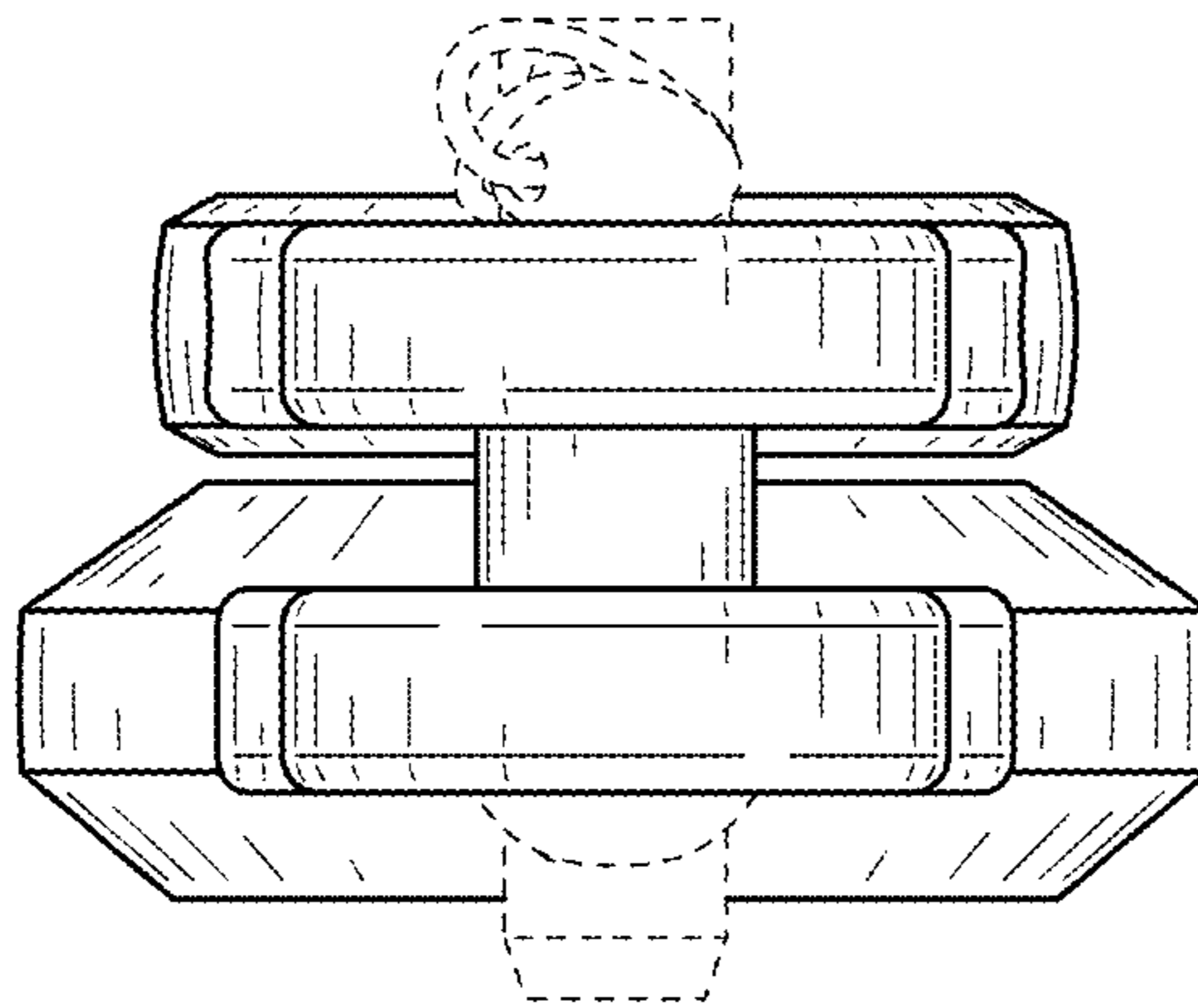


FIG. 7

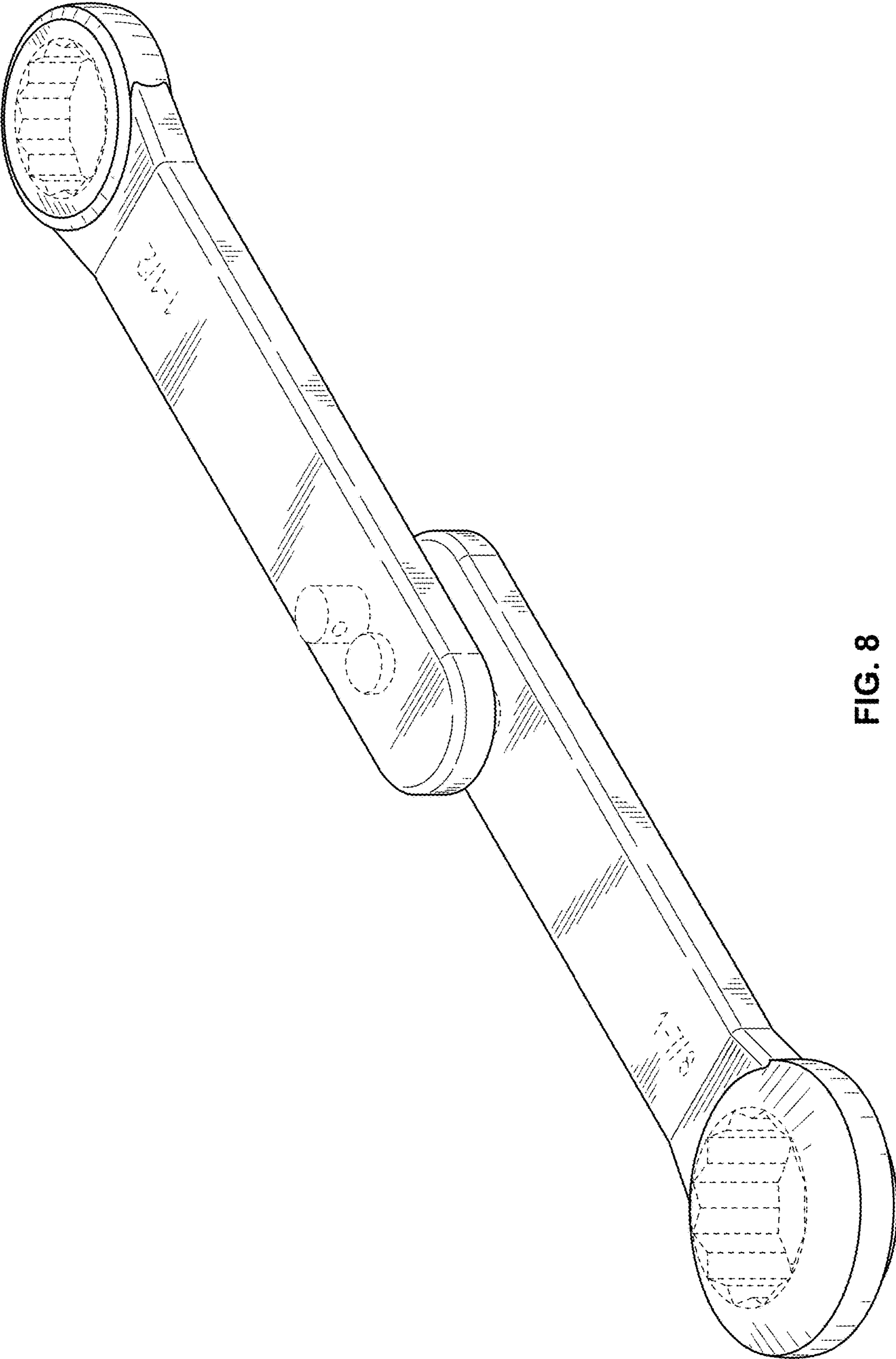


FIG. 8

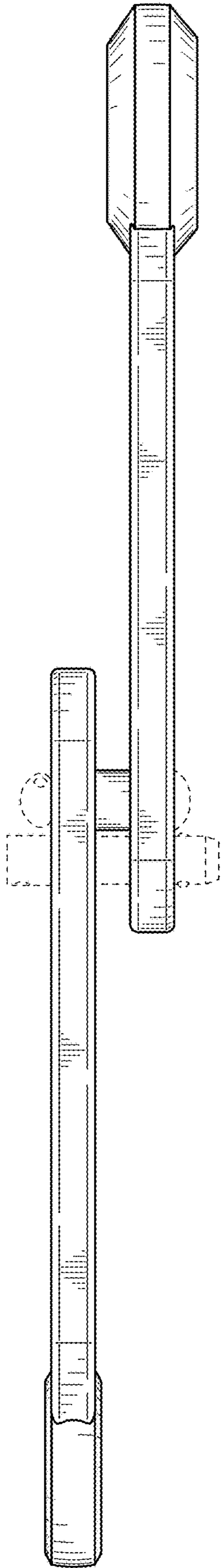


FIG. 9

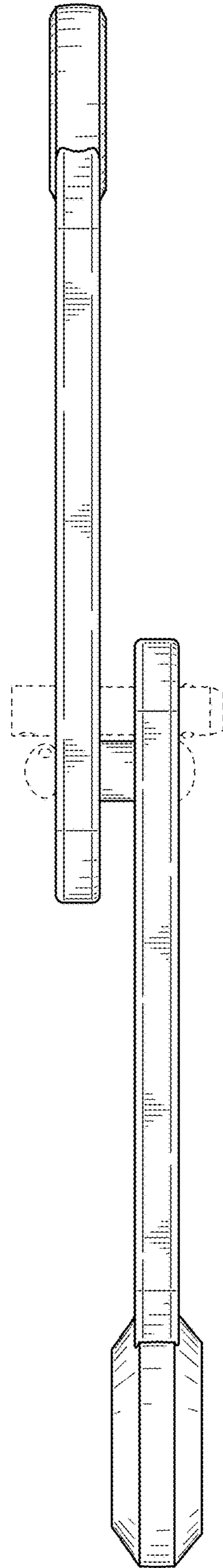


FIG. 10

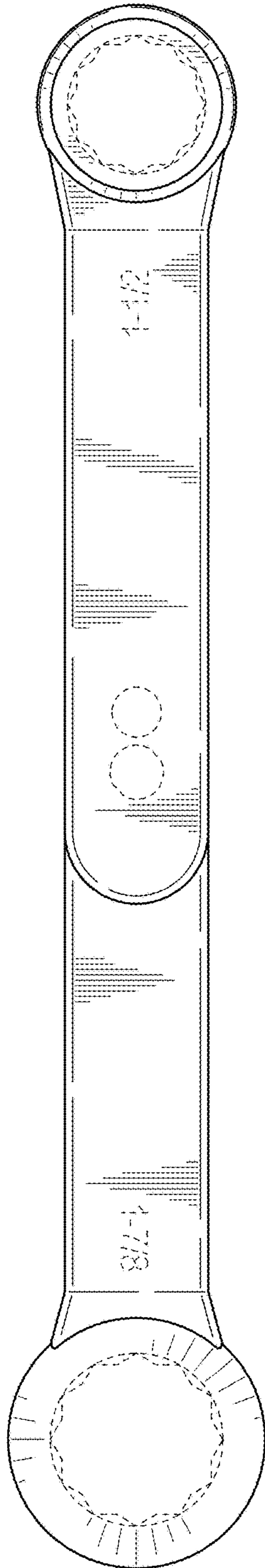


FIG. 11

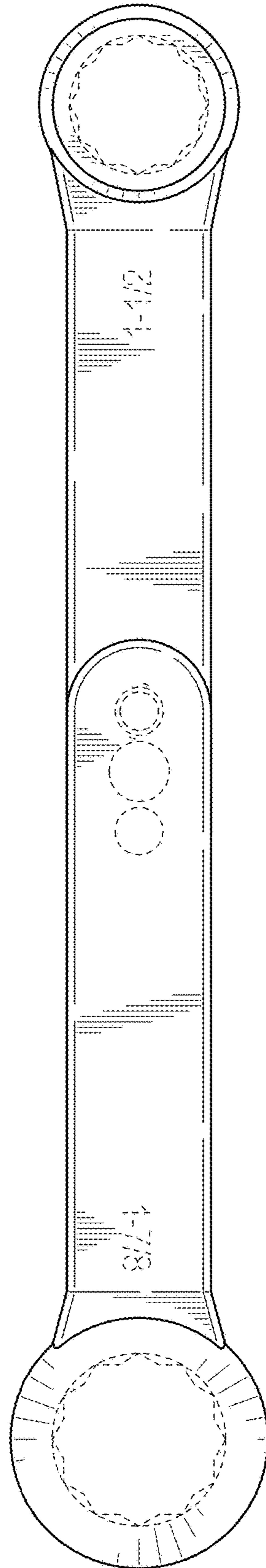


FIG. 12

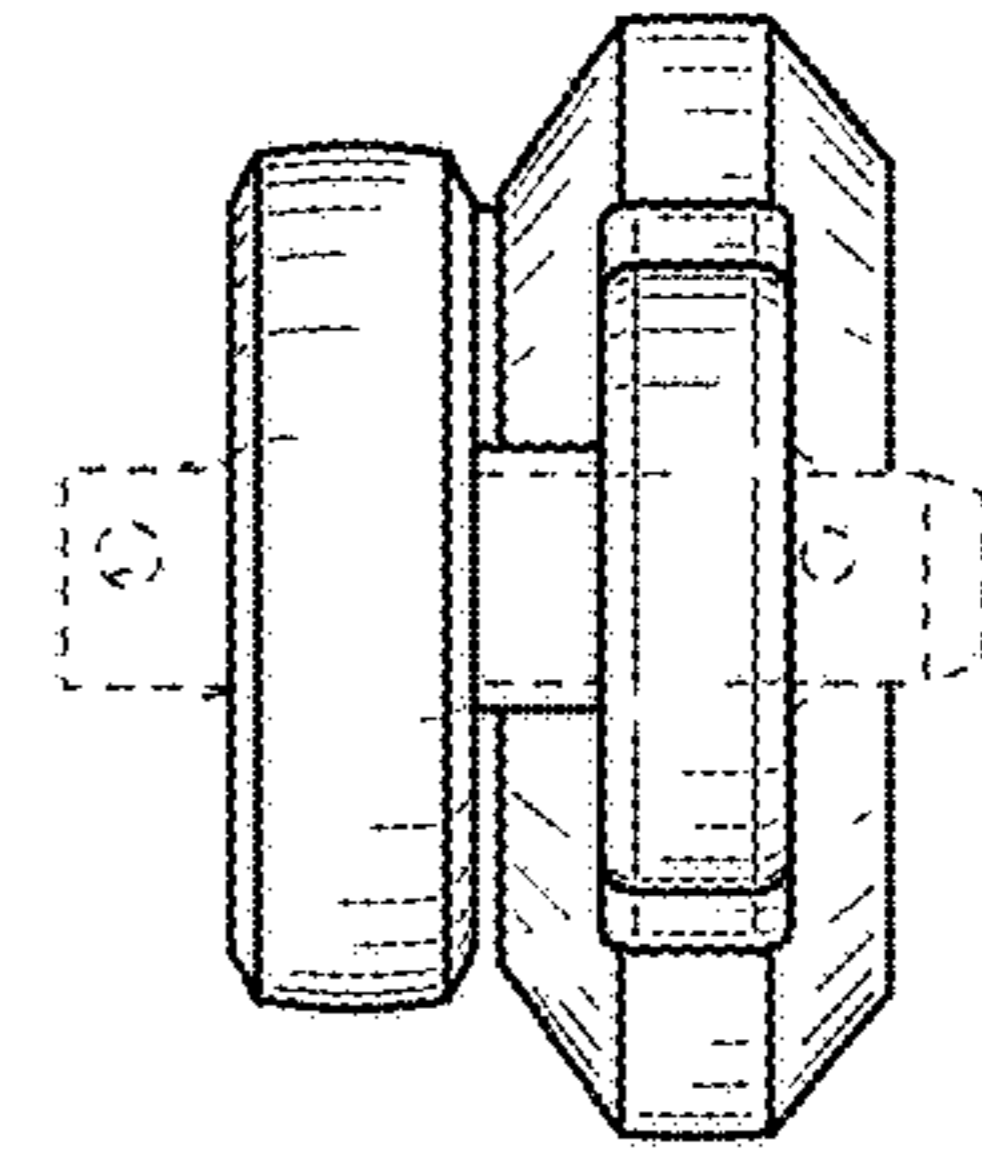


FIG. 14

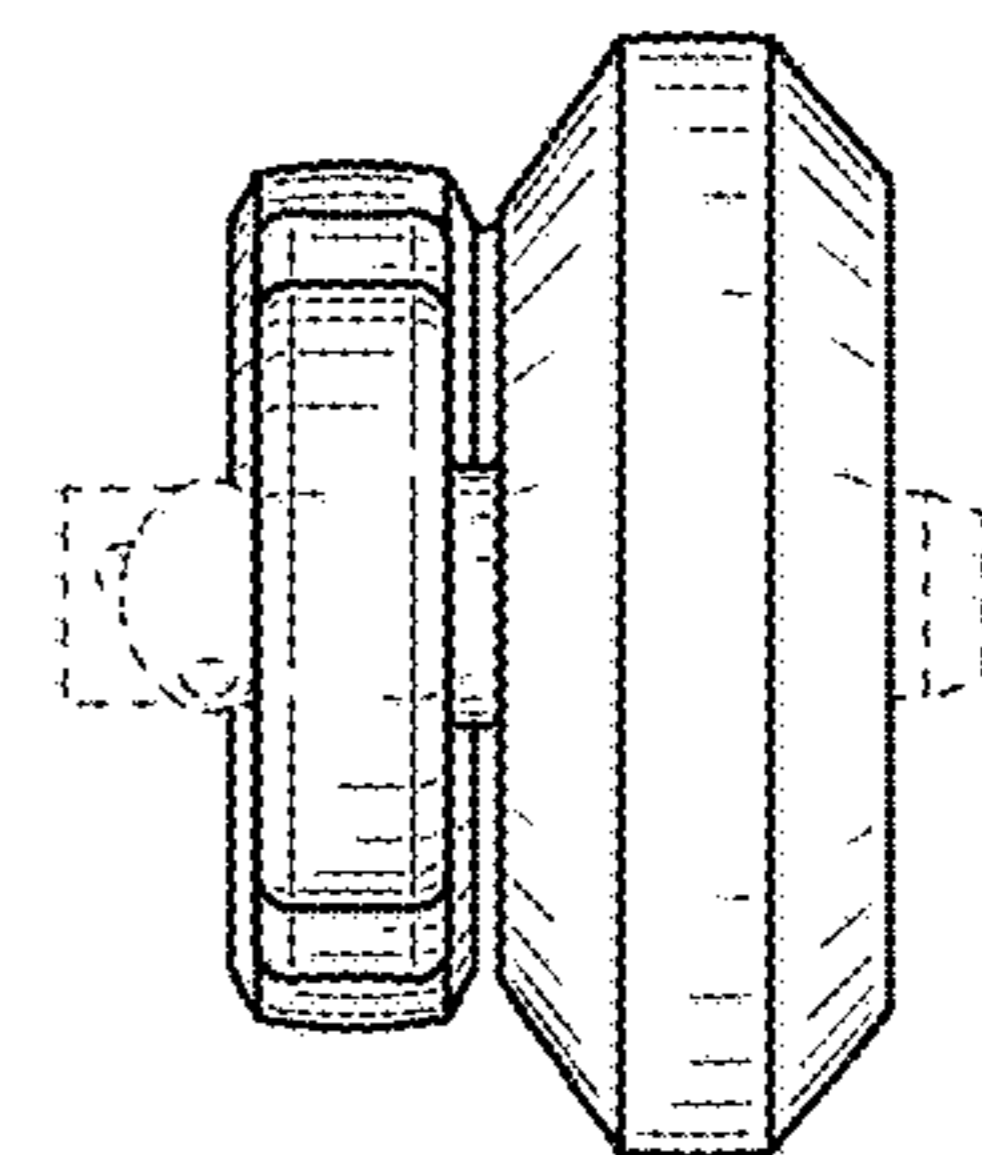


FIG. 13