



US00D810529S

(12) **United States Design Patent** (10) **Patent No.:** **US D810,529 S**  
**Baker** (45) **Date of Patent:** **\*\* Feb. 20, 2018**

- (54) **CULTIVATOR HEAD**
- (71) Applicant: **Radius Garden, LLC**, Ann Arbor, MI (US)
- (72) Inventor: **Bruce Baker**, Ann Arbor, MI (US)
- (73) Assignee: **Radius Garden, L.L.C.**, Ann Arbor, MI (US)
- (\*\*) Term: **15 Years**
- (21) Appl. No.: **29/574,817**
- (22) Filed: **Aug. 18, 2016**
- (51) **LOC (11) Cl.** ..... **08-01**
- (52) **U.S. Cl.**  
USPC ..... **D8/11**
- (58) **Field of Classification Search**  
USPC ..... D8/1, 11, 13; D21/532  
CPC .... A01B 1/00; A01B 1/06; A01B 1/10; A01B 1/14; A01B 1/16; A01B 1/22  
See application file for complete search history.

(56) **References Cited**

U.S. PATENT DOCUMENTS

D295,942 S *	5/1988	Featherman	.....	D8/10
D305,497 S *	1/1990	Jasperson	.....	D8/13
D375,236 S *	11/1996	Spear	.....	D8/13
D476,537 S *	7/2003	Lin	.....	D8/13
D547,145 S *	7/2007	Shan	.....	D8/13
D563,742 S *	3/2008	Baker	.....	D8/13
D766,054 S *	9/2016	Salojarvi	.....	D8/13

\* cited by examiner

*Primary Examiner* — Sandra Snapp  
*Assistant Examiner* — Ieisha Price  
(74) *Attorney, Agent, or Firm* — Honigman Miller Schwartz and Cohn LLP

(57) **CLAIM**

The ornamental design for a cultivator head, as shown and described.

**DESCRIPTION**

FIG. 1 is an isometric view of the cultivator head of the present invention;  
FIG. 2 is a front elevational view of the cultivator head of FIG. 1;  
FIG. 3 is a rear elevational view of the cultivator head of FIG. 1, the broken lines located on the rear of the cultivator head illustrate portions that form no part of the claimed design;  
FIG. 4 is a left side elevational view of the cultivator head of FIG. 1;  
FIG. 5 is a right side elevational view of the cultivator head of FIG. 1;  
FIG. 6 is a top view of the cultivator head of FIG. 1; and,  
FIG. 7 is a bottom view of the cultivator head of FIG. 1.  
The handle is shown using broken lines which illustrate the environment of the claimed design and form no part thereof.

**1 Claim, 4 Drawing Sheets**

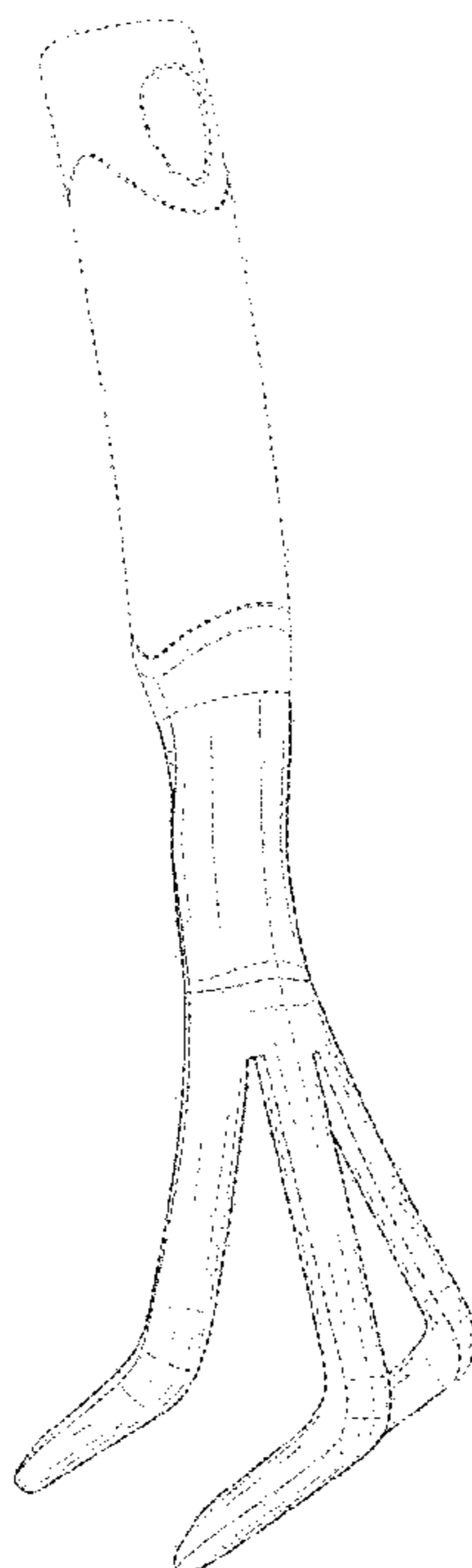
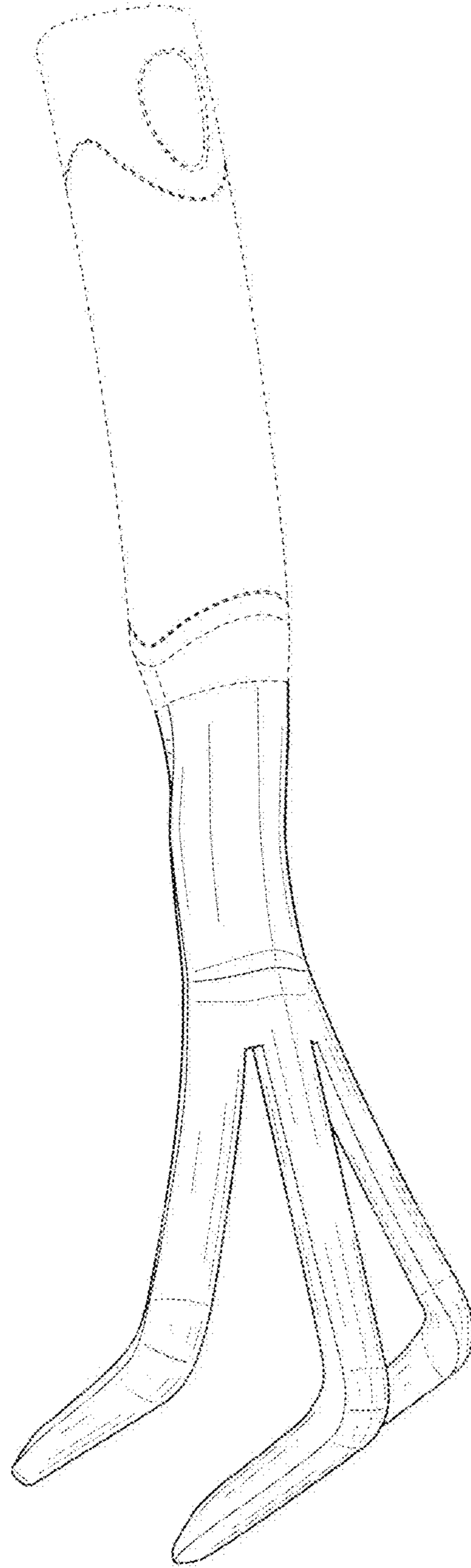


FIG. 1



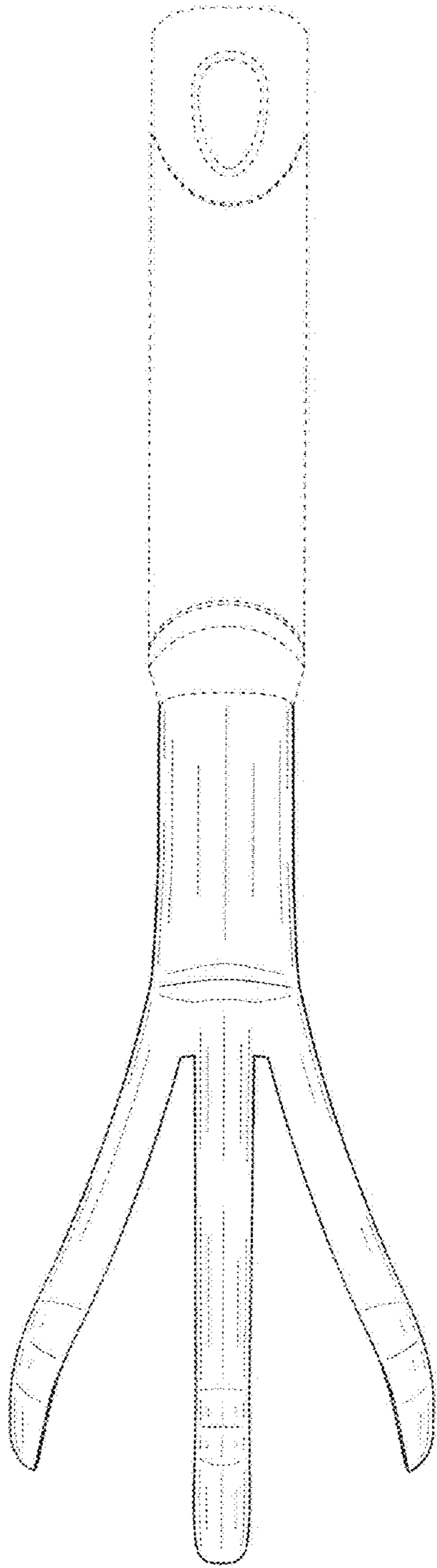


FIG. 2

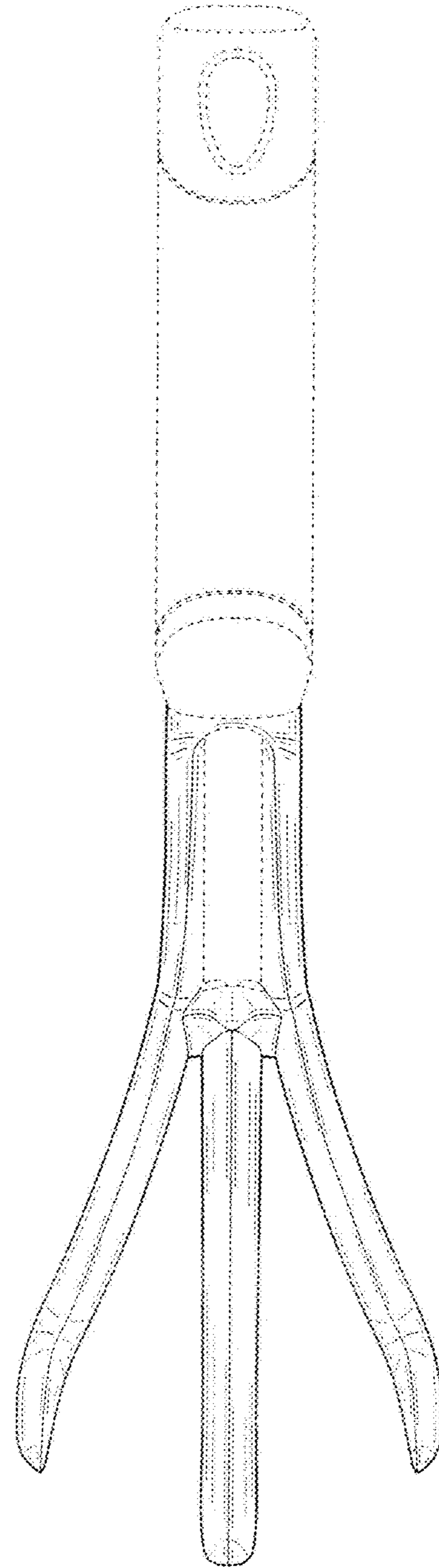


FIG. 3

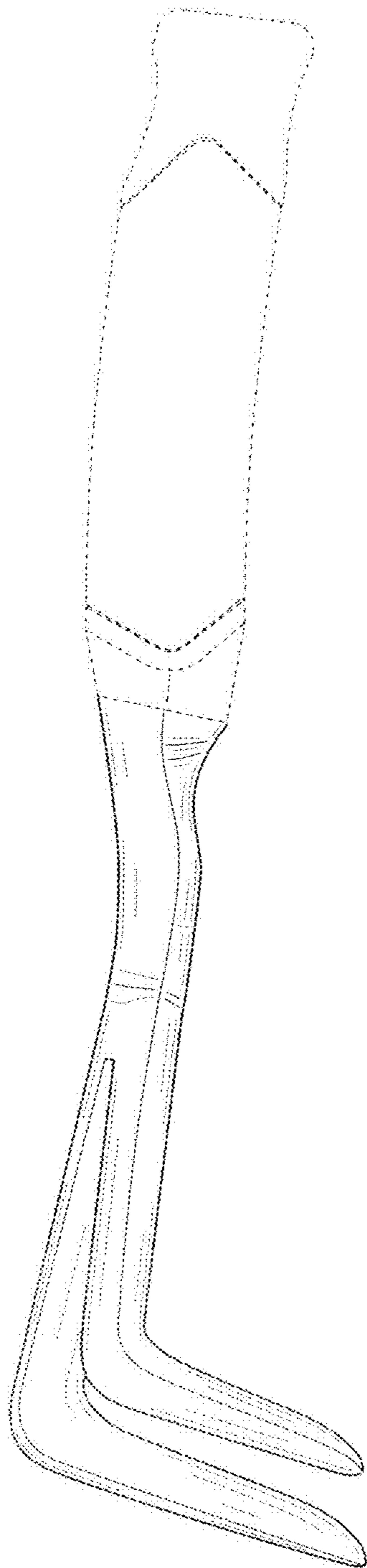


FIG. 4

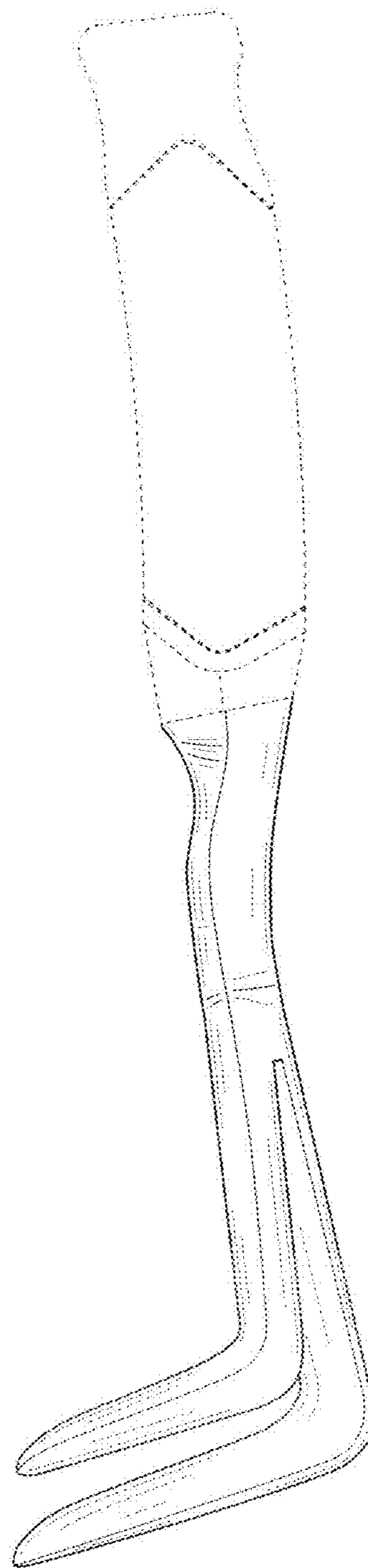


FIG. 5

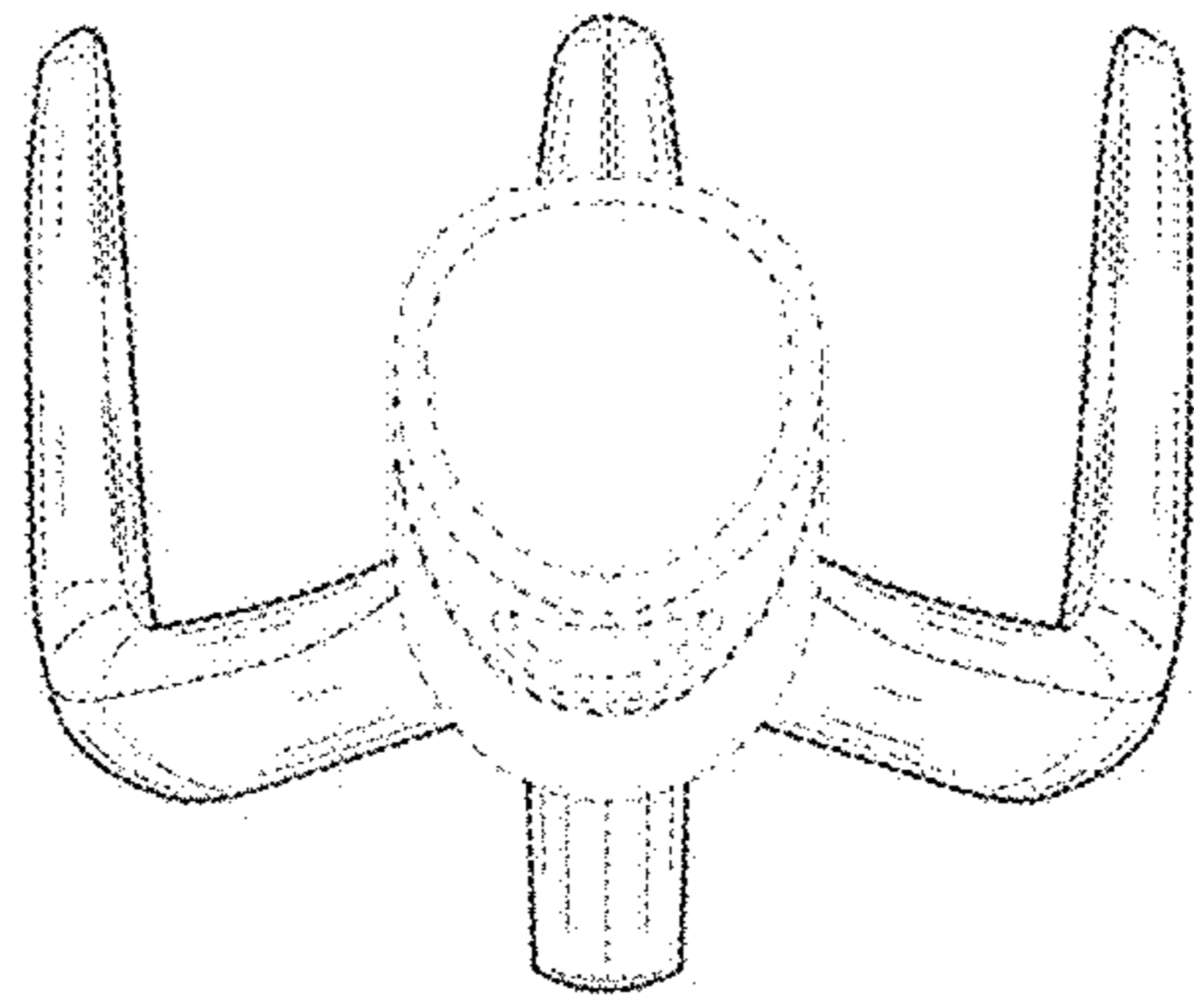


FIG. 6

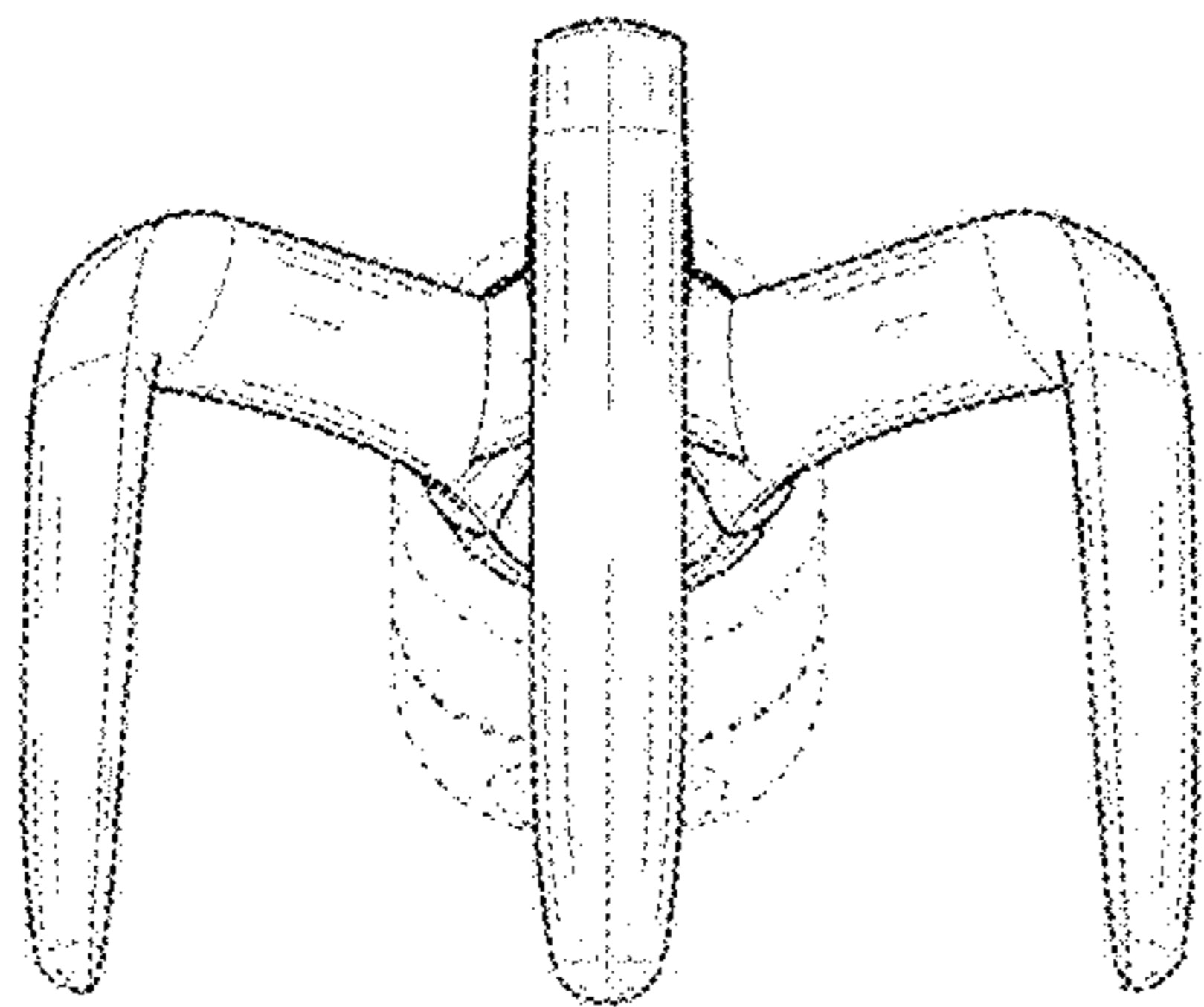


FIG. 7