



US00D810528S

(12) **United States Design Patent** (10) **Patent No.:** **US D810,528 S**
Baker (45) **Date of Patent:** **** Feb. 20, 2018**

(54) **WEEDER HEAD**
(71) Applicant: **Radius Garden, LLC**, Ann Arbor, MI (US)
(72) Inventor: **Bruce Baker**, Ann Arbor, MI (US)
(73) Assignee: **Radius Garden, L.L.C.**, Ann Arbor, MI (US)
(**) Term: **15 Years**

D579,287 S * 10/2008 Hyp D8/9
D579,288 S * 10/2008 Baker D8/10
D588,882 S * 3/2009 Baker, II D8/10
D595,550 S * 7/2009 Wong D8/10
D623,488 S * 9/2010 Randolph D8/10
D626,390 S * 11/2010 Randolph D8/10
D682,055 S * 5/2013 Hyp D8/9
D720,583 S * 1/2015 Hyp D8/9
D770,249 S * 11/2016 Mathieu D8/10
2008/0309106 A1* 12/2008 Baker A01B 1/04
294/49
2010/0051297 A1* 3/2010 Mathieu A01B 1/02
172/1

(21) Appl. No.: **29/574,812**
(22) Filed: **Aug. 18, 2016**
(51) **LOC (11) Cl.** **08-01**
(52) **U.S. Cl.**
USPC **D8/11; D8/10**
(58) **Field of Classification Search**
USPC D8/1, 7, 9, 10, 11; D21/532
CPC A01B 1/00; A01B 1/227; A01B 1/222;
A01B 1/225; A01B 1/026; A01B 1/02;
B25G 1/102; Y10T 16/476; Y10T
16/4713; Y10S 16/19
See application file for complete search history.

* cited by examiner

Primary Examiner — Sandra Snapp
Assistant Examiner — Ieisha Price
(74) *Attorney, Agent, or Firm* — Honigman Miller
Schwartz and Cohn LLP

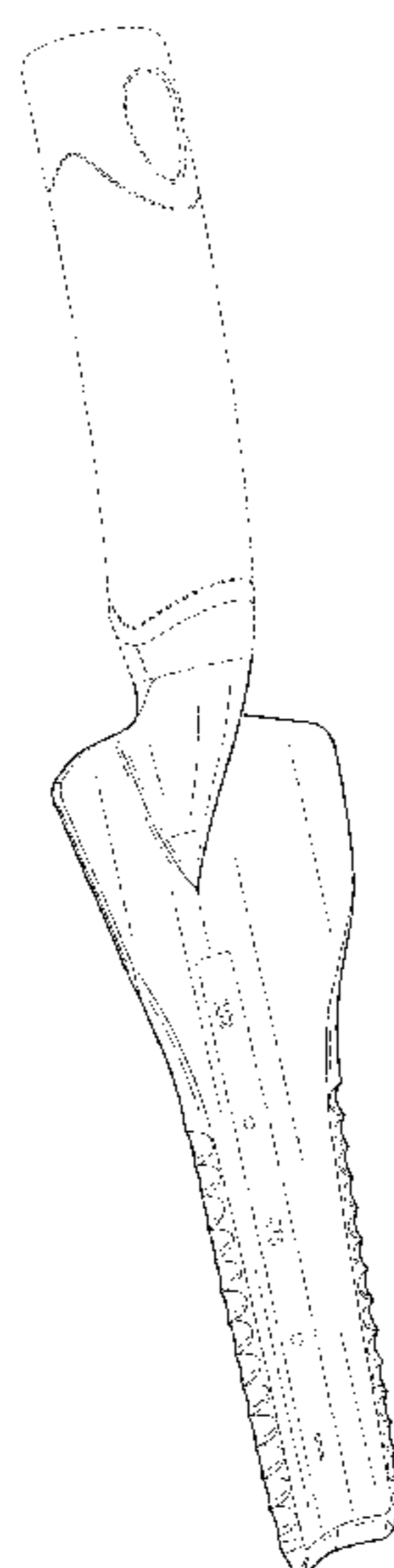
(56) **References Cited**
U.S. PATENT DOCUMENTS
457,871 A * 8/1891 Silliman A01B 1/16
294/50.6
1,881,112 A * 10/1932 Allenson A01B 1/16
294/50.9
1,908,735 A * 5/1933 Donaldson A01B 1/16
172/381
5,520,429 A * 5/1996 Gregory A01B 1/02
254/131.5
5,669,649 A * 9/1997 Metcalf A01B 1/02
294/49
D564,313 S * 3/2008 Baker D8/9
D564,314 S * 3/2008 Baker D8/10
D569,698 S * 5/2008 Baker D8/1
D570,654 S * 6/2008 Baker D8/10

(57) **CLAIM**
The ornamental design for a weeder head, as shown and described.

DESCRIPTION

FIG. 1 is an isometric view of a weeder head of the present invention;
FIG. 2 is a front elevational view of the weeder head of FIG. 1;
FIG. 3 is a rear elevational view of the weeder head of FIG. 1;
FIG. 4 is a left side elevational view of the weeder head of FIG. 1;
FIG. 5 is a right side elevational view of the weeder head of FIG. 1;
FIG. 6 is a top view of the weeder head of FIG. 1; and,
FIG. 7 is a bottom view of the weeder head of FIG. 1.
The broken line showing of the handle in FIGS. 1-7 illustrates the environment of the claimed design and forms no part thereof.

1 Claim, 4 Drawing Sheets



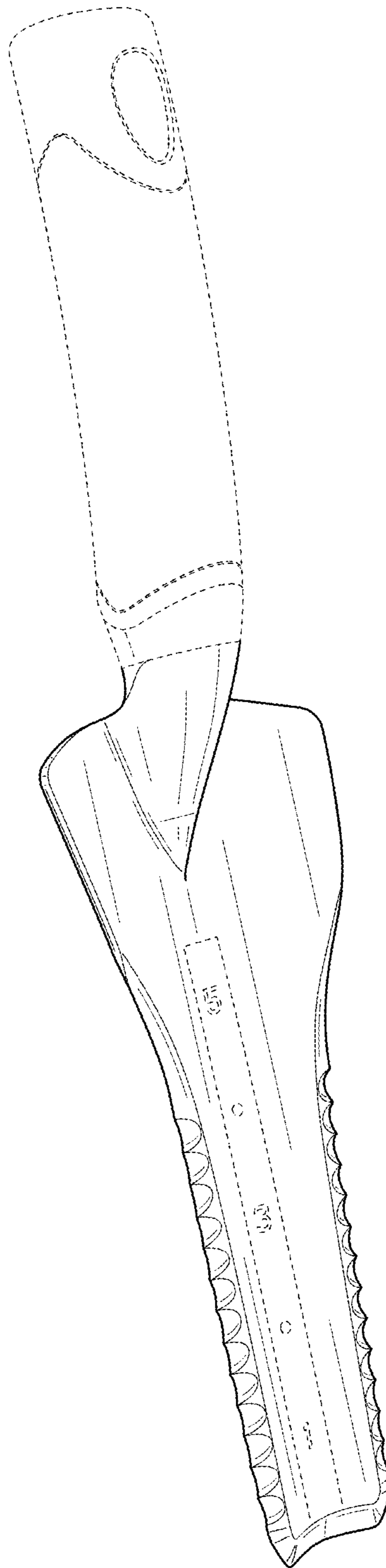


FIG. 1

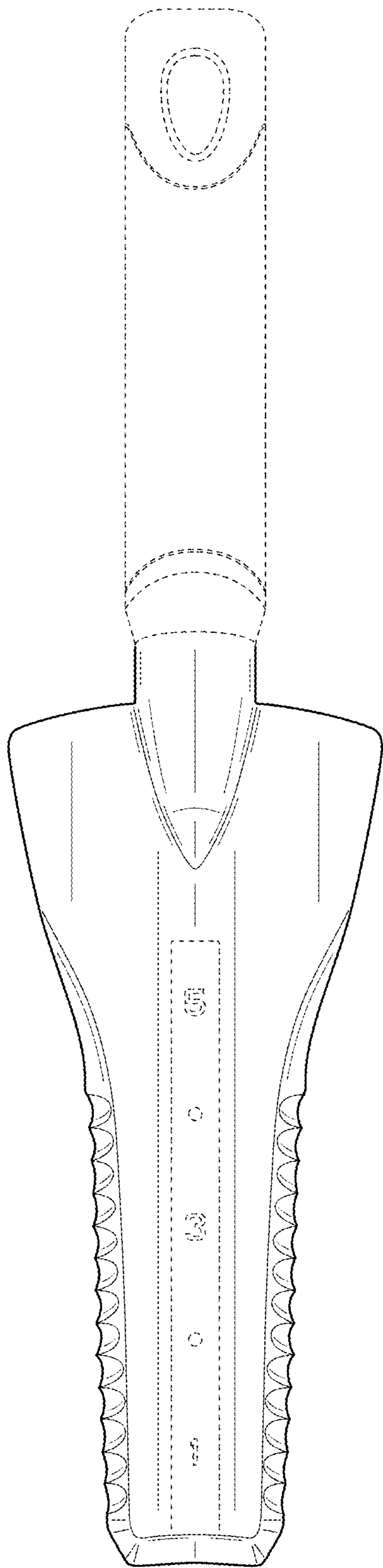


FIG. 2

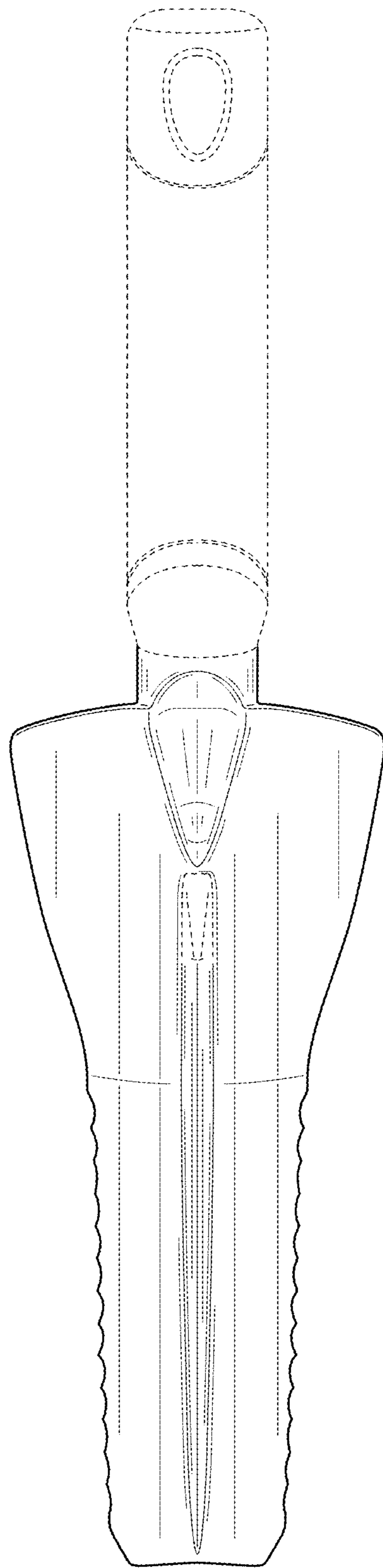


FIG. 3

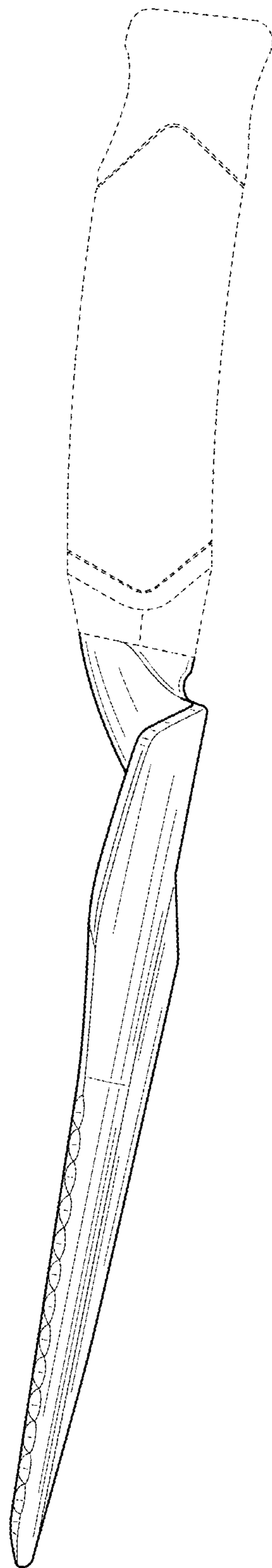


FIG. 4

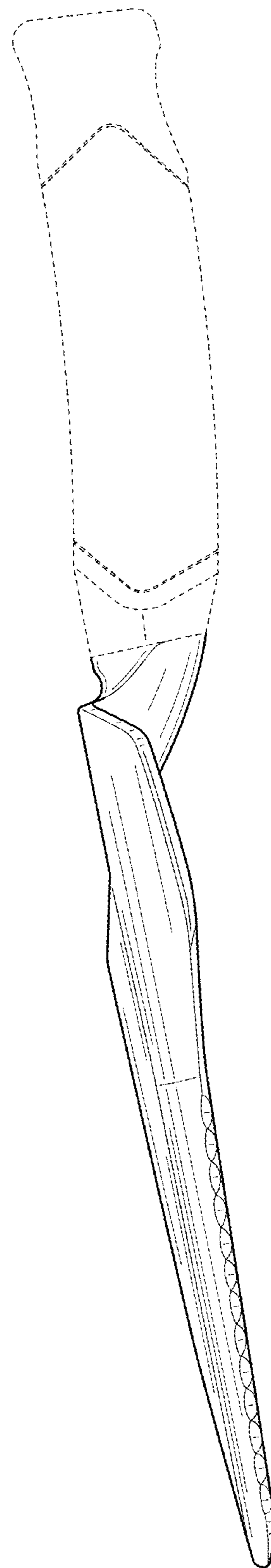


FIG. 5

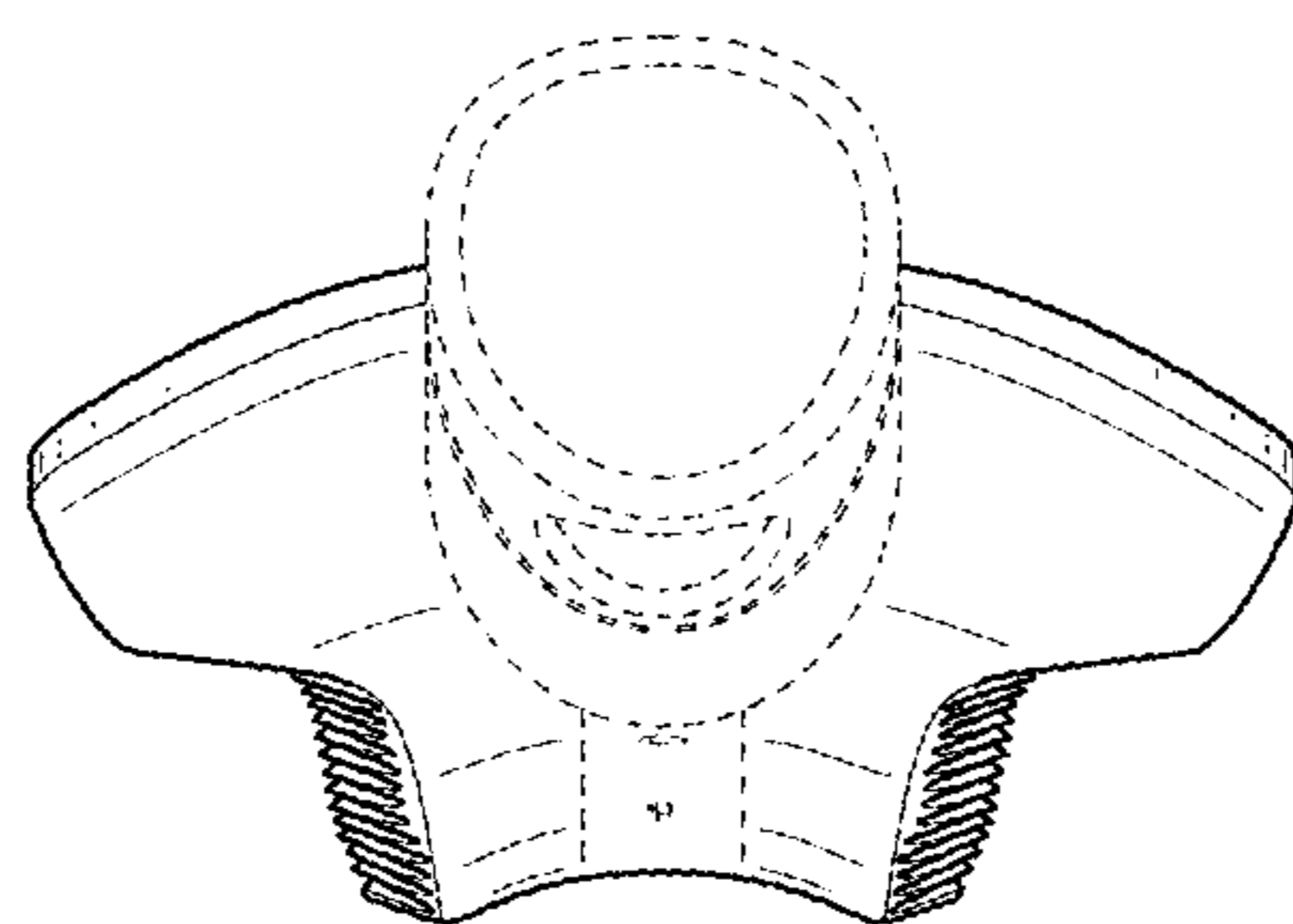


FIG. 6

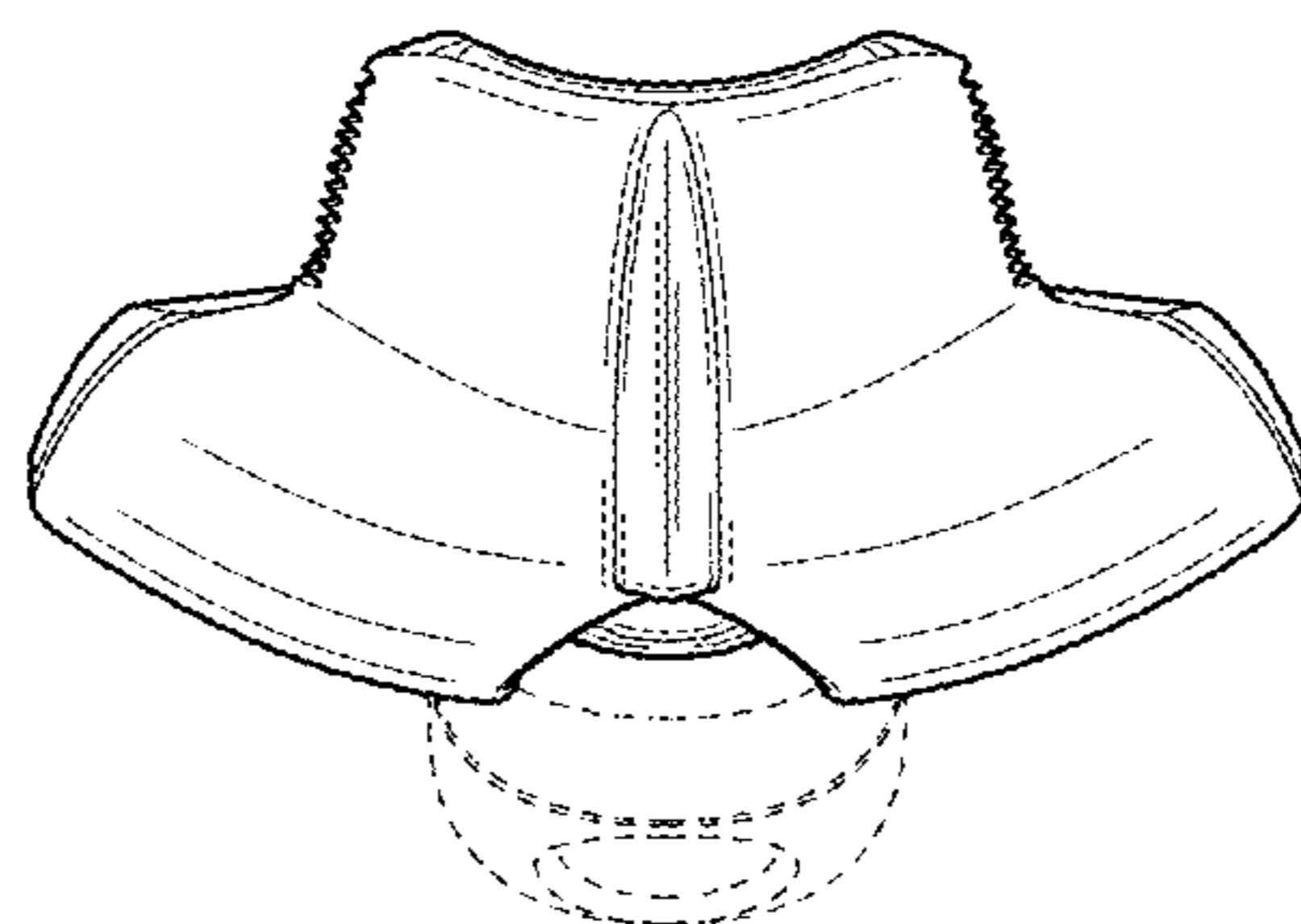


FIG. 7